

US00D661406S

(12) **United States Design Patent**  
**Finch et al.**

(10) **Patent No.:** **US D661,406 S**  
(45) **Date of Patent:** **\*\* Jun. 5, 2012**

(54) **ATTACHMENT ARM FOR SUPPORTING AN OBJECT ON A STEP LADDER**

(75) Inventors: **Ronald Bruce Finch**, Clayton, NC (US);  
**Ronald Brengartner, Jr.**, Strongsville, OH (US)

(73) Assignee: **Madison Electric Products, Inc.**,  
Bedford Hts., OH (US)

(\*\*) Term: **14 Years**

(21) Appl. No.: **29/394,481**

(22) Filed: **Jun. 17, 2011**

(51) **LOC (9) Cl.** ..... **25-04**

(52) **U.S. Cl.** ..... **D25/68**

(58) **Field of Classification Search** ..... D25/68;  
248/238, 210; 182/129

See application file for complete search history.

(56) **References Cited**

**U.S. PATENT DOCUMENTS**

5,079,795 A 1/1992 Schmid  
D354,431 S 1/1995 Andrews

D392,747 S \* 3/1998 Ferland ..... D25/68  
7,926,616 B2 \* 4/2011 Groy ..... 182/129  
2003/0196855 A1 \* 10/2003 Kvam ..... 182/129  
2003/0213646 A1 11/2003 Gallion  
2008/0142300 A1 6/2008 Roberge et al.  
2008/0258025 A1 10/2008 Rice

\* cited by examiner

*Primary Examiner* — Doris Clark

(74) *Attorney, Agent, or Firm* — Rankin, Hill & Clark LLP

(57) **CLAIM**

The ornamental design for a attachment arm for supporting an object on a step ladder, as shown and described.

**DESCRIPTION**

FIG. 1 is a perspective view of a attachment arm for supporting an object on a step ladder.

FIG. 2 is a side view thereof, with the other side view being a mirror image.

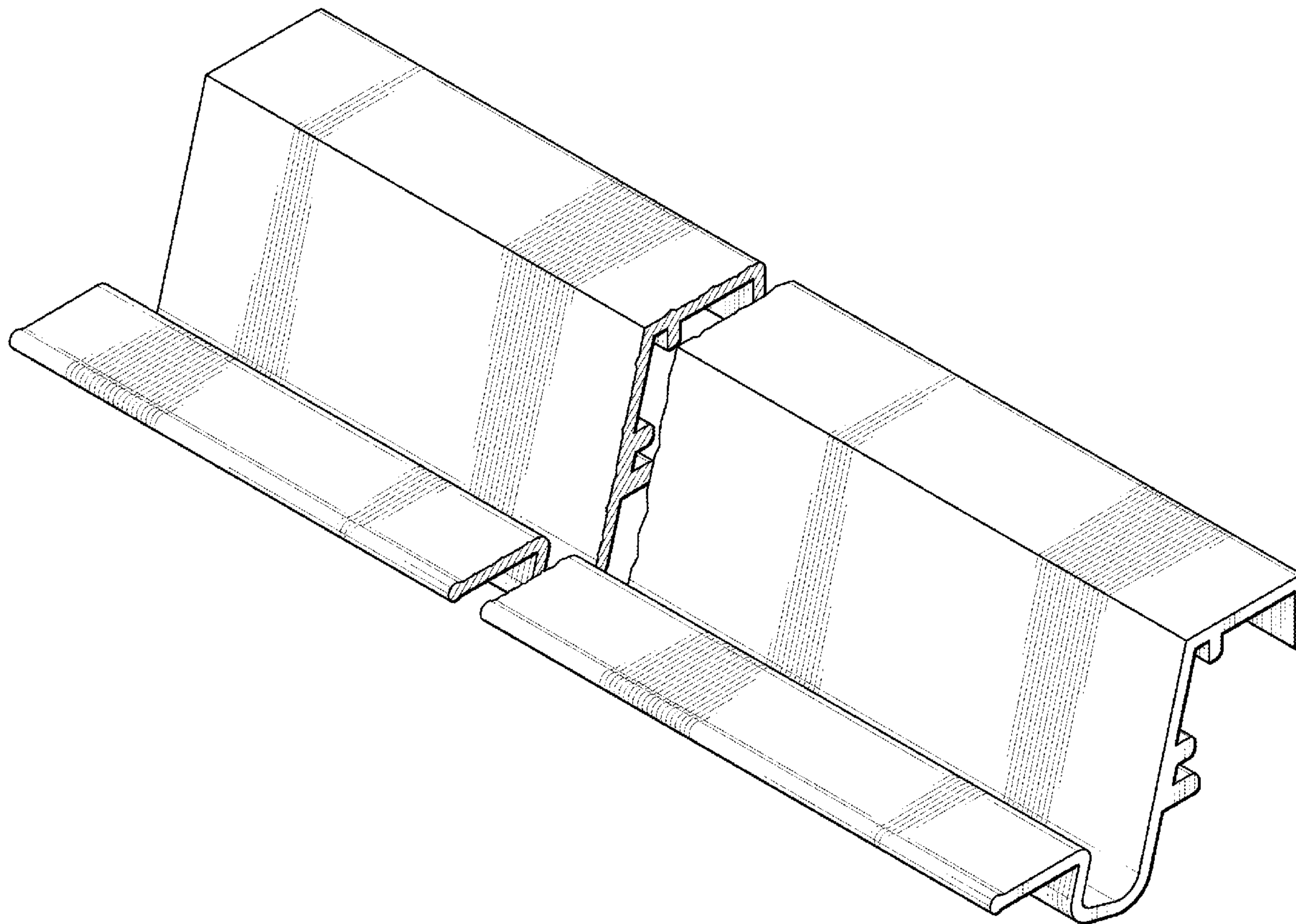
FIG. 3 is a front view thereof.

FIG. 4 is a rear view thereof.

FIG. 5 is a top view thereof; and,

FIG. 6 is a bottom view thereof.

**1 Claim, 6 Drawing Sheets**



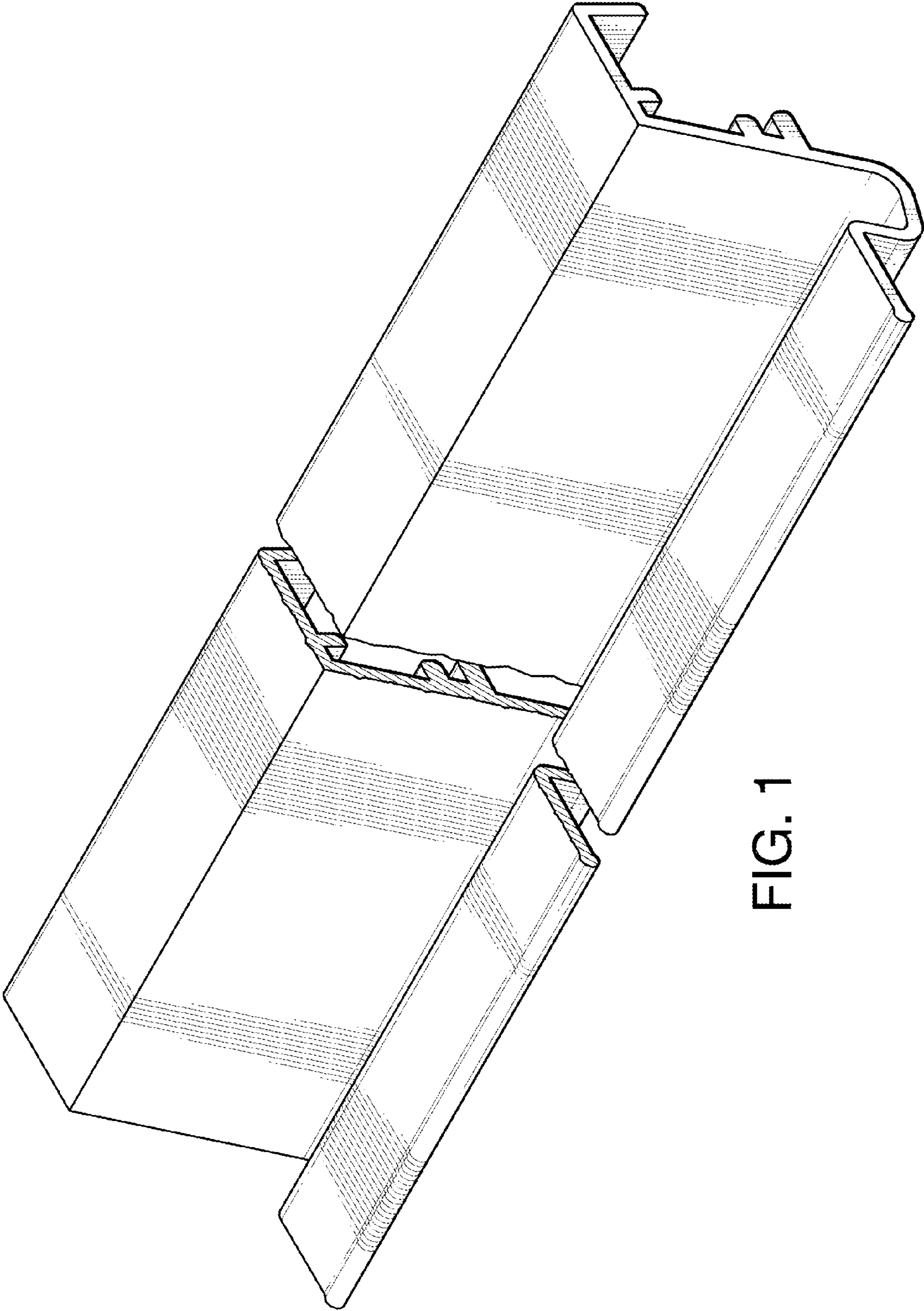


FIG. 1

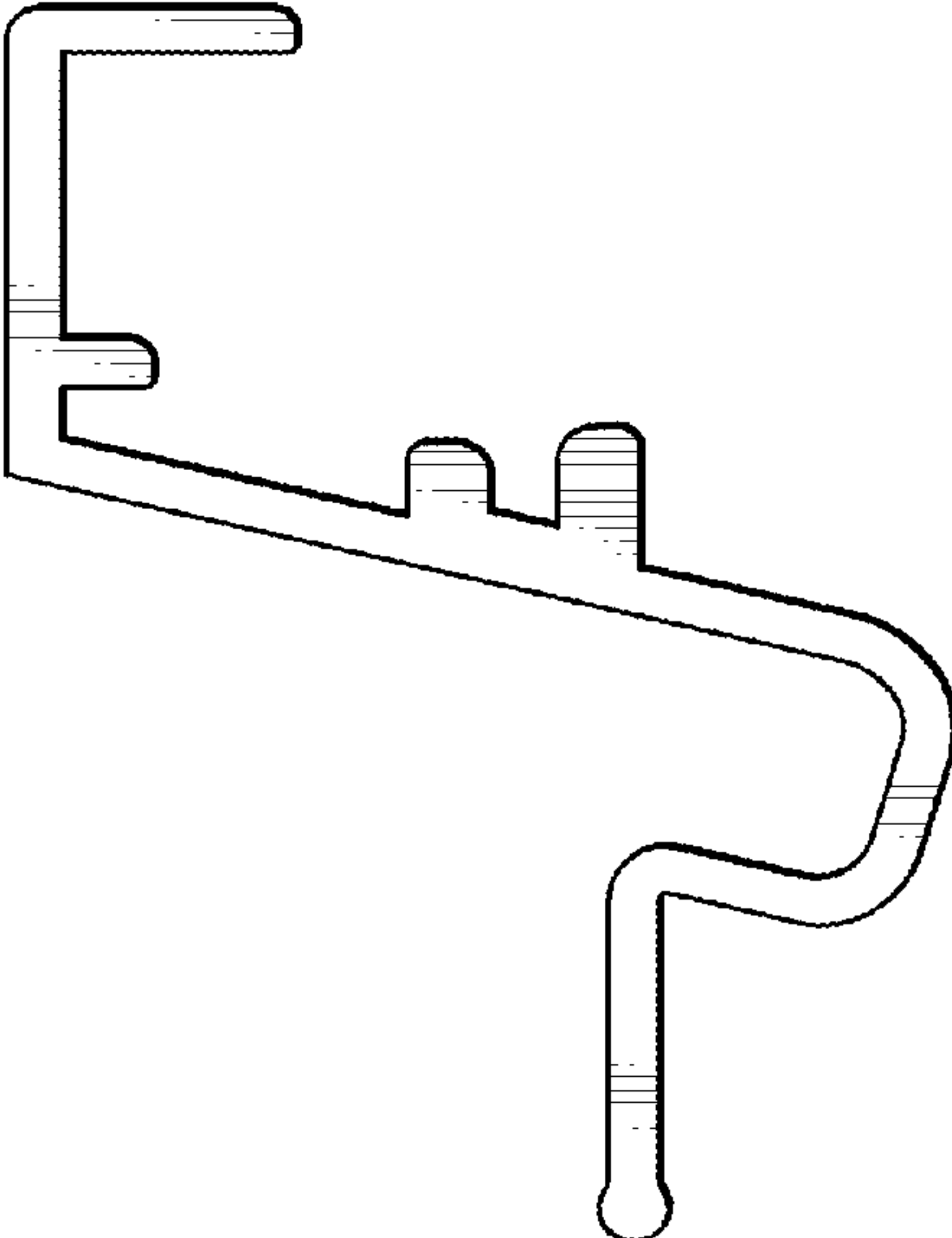


FIG. 2

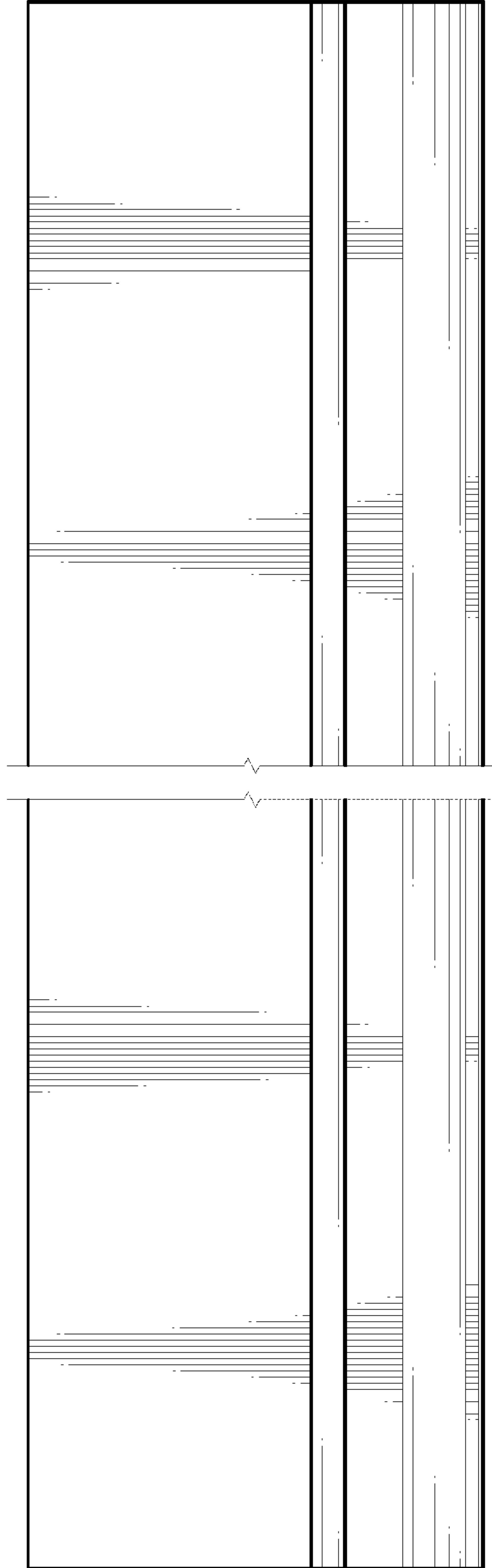


FIG. 3

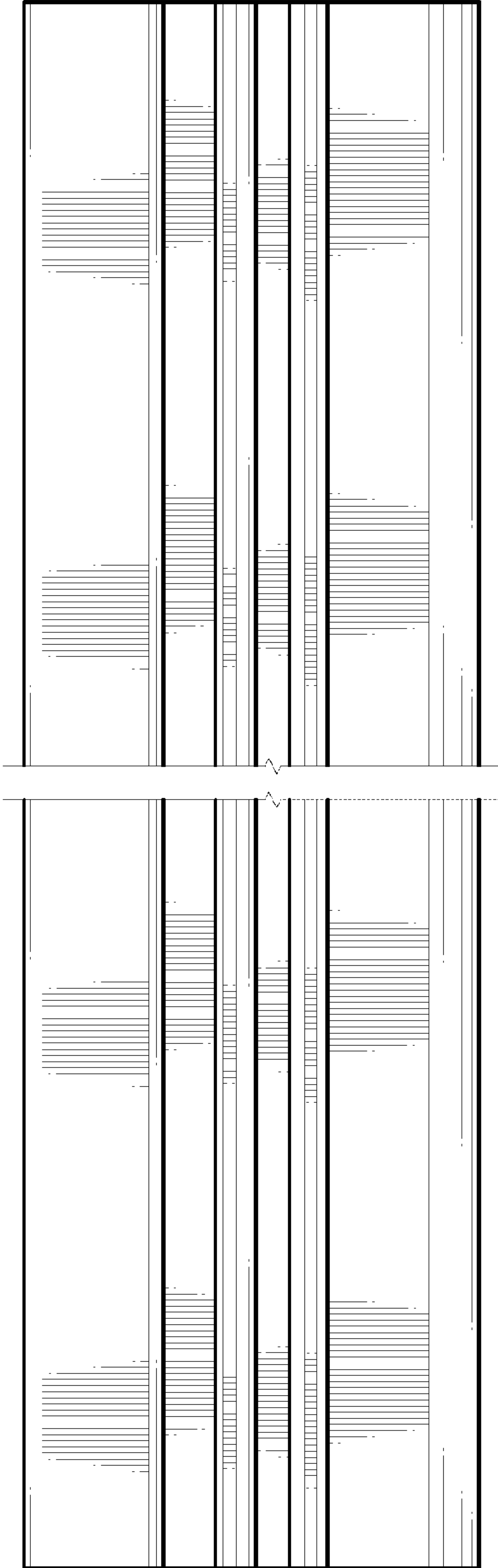


FIG. 4

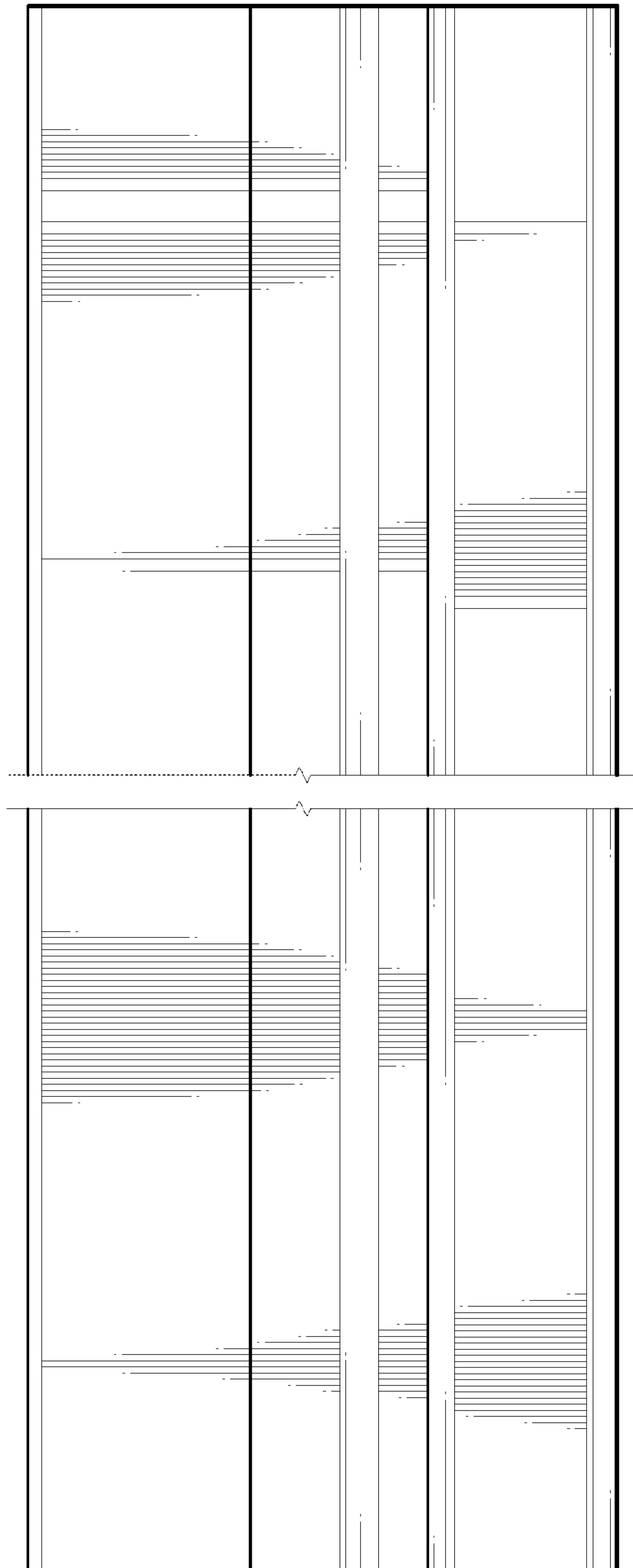


FIG. 5



FIG. 6