

US00D661403S

(12) **United States Design Patent**
Connelly et al.

(10) **Patent No.:** **US D661,403 S**

(45) **Date of Patent:** **** *Jun. 5, 2012**

(54) **CUVETTE**

(75) Inventors: **Rowan Connelly**, Fort Myers, FL (US);
Thomas R. Whiteside, Fort Myers, FL (US)

(73) Assignee: **HF Scientific, Inc.**, Fort Myers, FL (US)

(*) Notice: This patent is subject to a terminal disclaimer.

(**) Term: **14 Years**

(21) Appl. No.: **29/366,641**

(22) Filed: **Jul. 28, 2010**

(51) **LOC (9) Cl.** **24-01**

(52) **U.S. Cl.** **D24/224**

(58) **Field of Classification Search** D24/216,
D24/224-227, 231, 232, 121-123; D10/81;
422/500, 547, 549, 554, 62-64; 435/287.1,
435/288.1; D3/203.1, 203.2; D9/423, 424,
D9/425, 432; 206/504, 509

See application file for complete search history.

(56) **References Cited**

U.S. PATENT DOCUMENTS

D258,266	S	*	2/1981	Curran et al.	D24/224
5,098,661	A	*	3/1992	Froehlich et al.	422/547
D342,793	S	*	12/1993	Balmer	D24/224
D343,905	S	*	2/1994	Nagata et al.	D24/224
D380,555	S		7/1997	Kurosaki et al.		
D401,700	S		11/1998	Gray et al.		
D418,056	S	*	12/1999	Johnson	D9/431
6,149,872	A	*	11/2000	Mack et al.	422/63
D548,069	S	*	8/2007	Sagel et al.	D9/425

D560,816 S 1/2008 Talmer et al.
D583,933 S * 12/2008 Finney et al. D24/121
D632,170 S * 2/2011 Lawrence et al. D9/432

* cited by examiner

Primary Examiner — Anhdao Doan

(74) *Attorney, Agent, or Firm* — Edwards Wildman Palmer LLP; David J. Silvia; George N. Charles

(57) **CLAIM**

The ornamental design for a cuvette, as shown and described.

DESCRIPTION

FIG. 1 is a top front perspective view of the cuvette according to the present disclosure.

FIG. 2 is a top rear perspective view of the cuvette according to the present disclosure.

FIG. 3 is a bottom front perspective view of the cuvette according to the present disclosure.

FIG. 4 is a bottom rear perspective view of the cuvette according to the present disclosure.

FIG. 5 is a front elevational view of the cuvette according to the present disclosure.

FIG. 6 is a rear elevational view of the cuvette according to the present disclosure.

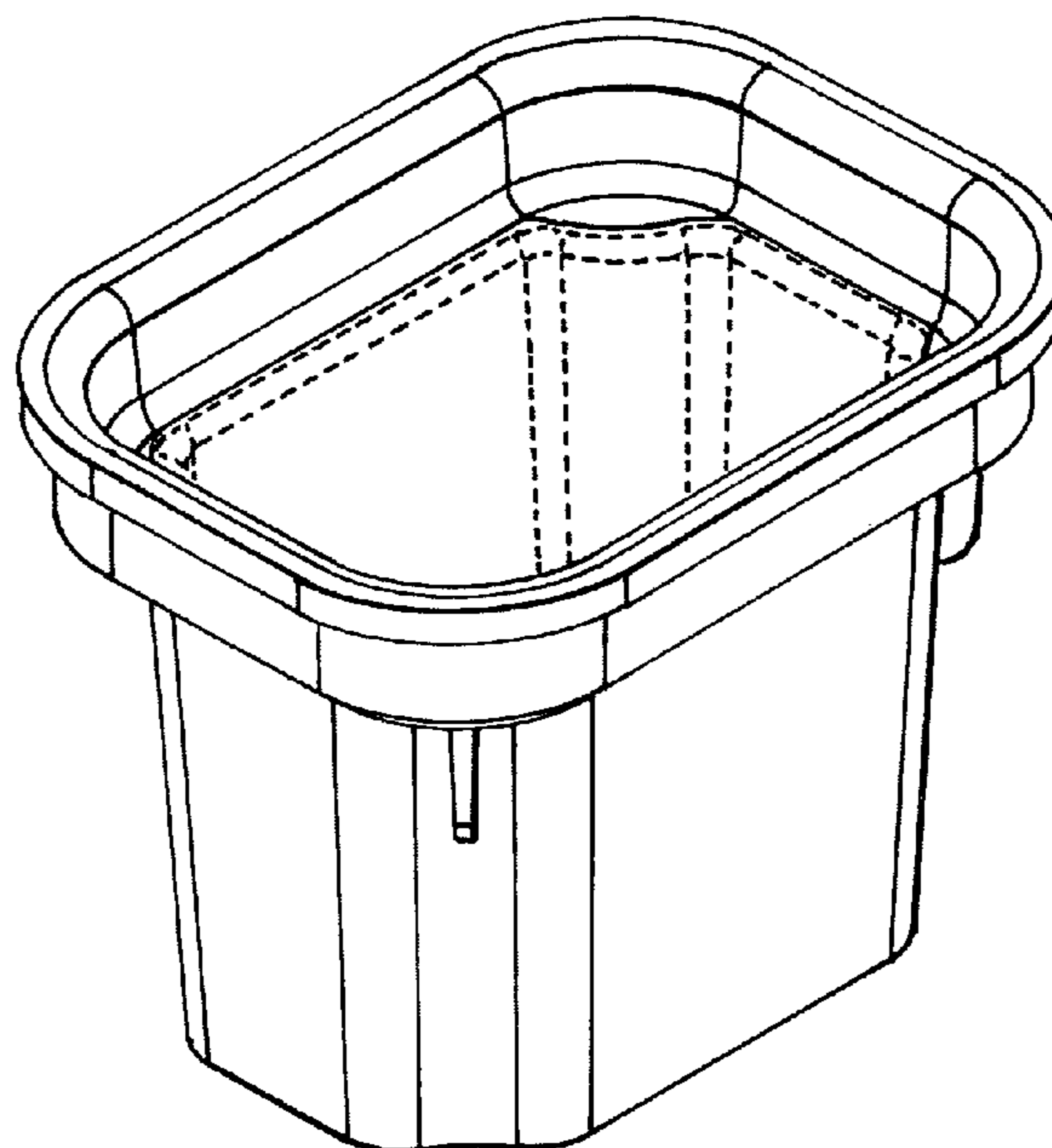
FIG. 7 is a top plan view of the cuvette according to the present disclosure.

FIG. 8 is a bottom plan view of the cuvette according to the present disclosure; and,

FIG. 9 is a side elevational view of the cuvette according to the present disclosure, the opposite side view being a mirror image.

The broken lines immediately adjacent the claimed areas represent the bounds of the claim, and all other broken lines are included for the purpose of illustrating the unclaimed portions of the cuvette. None of the broken lines form a part of the claimed design.

1 Claim, 4 Drawing Sheets



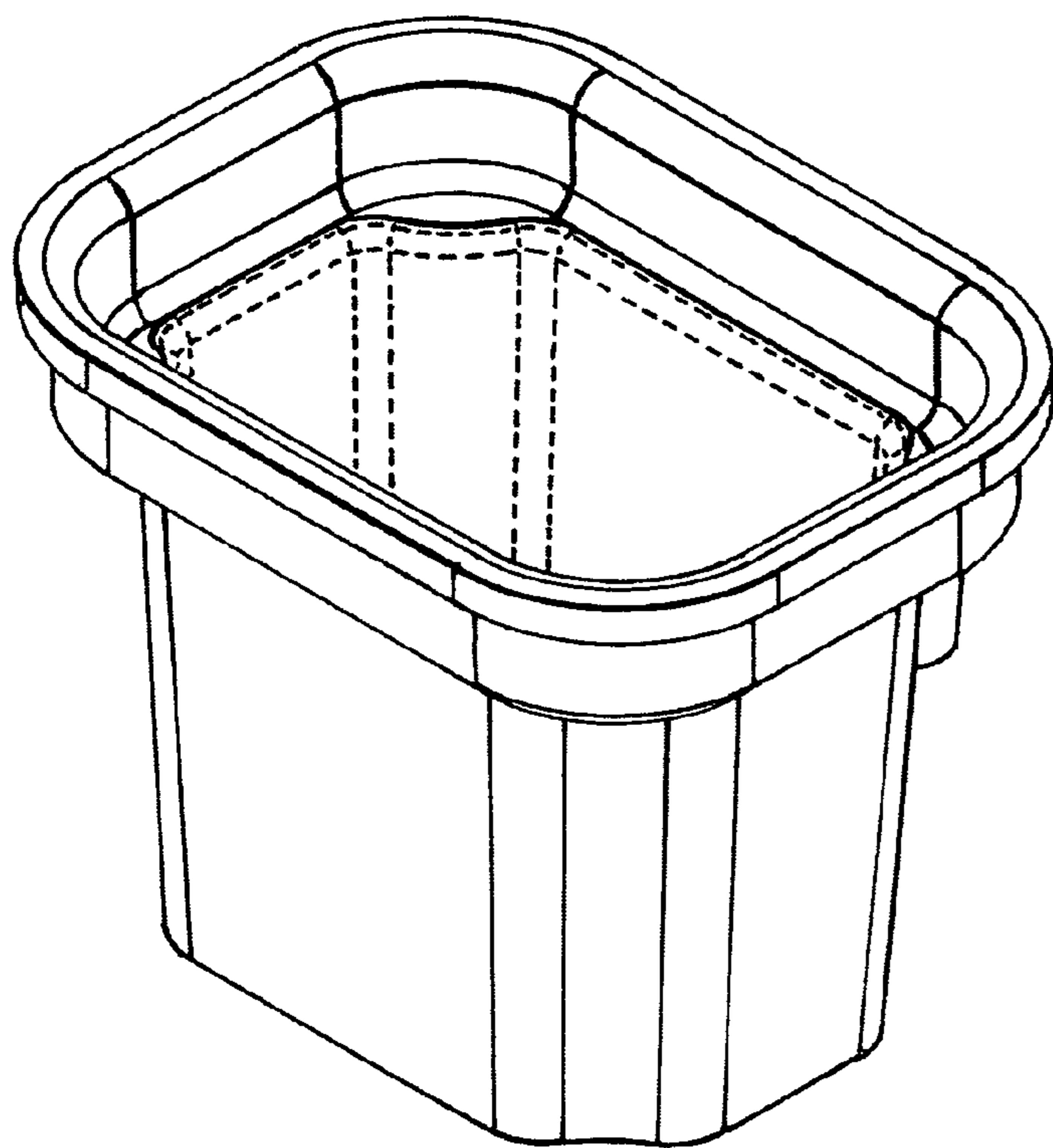


Fig. 1

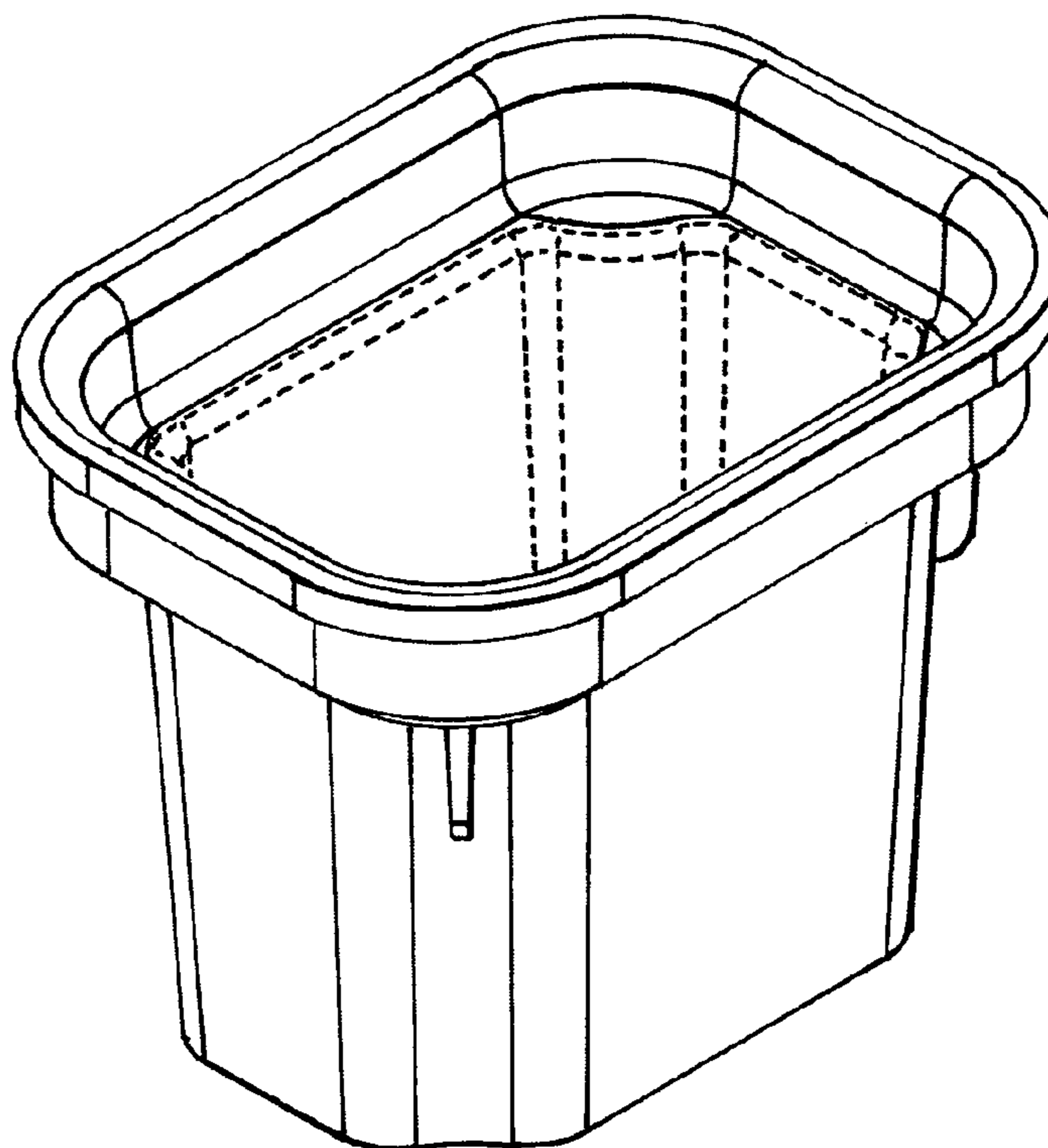


Fig. 2

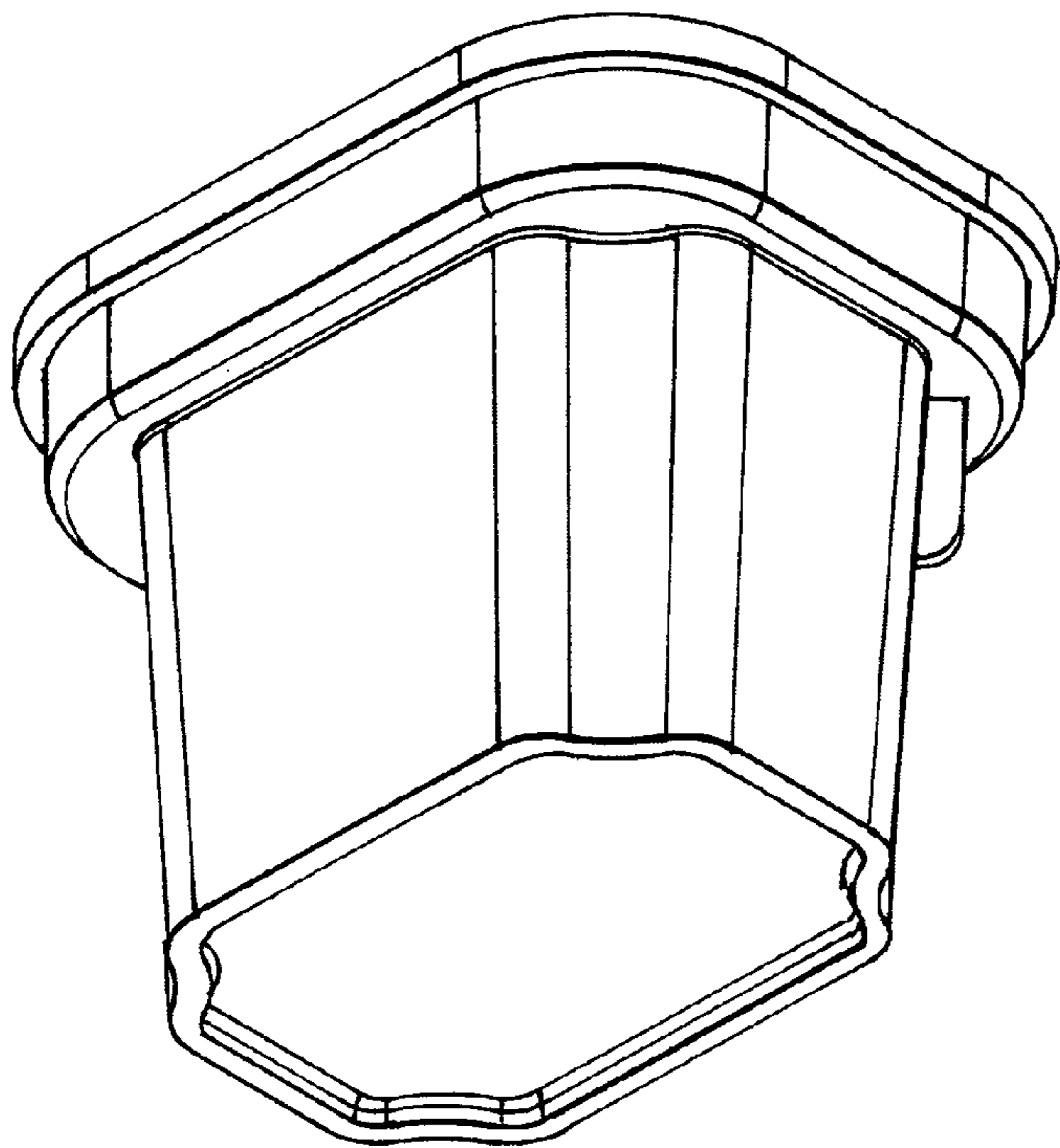


Fig. 3

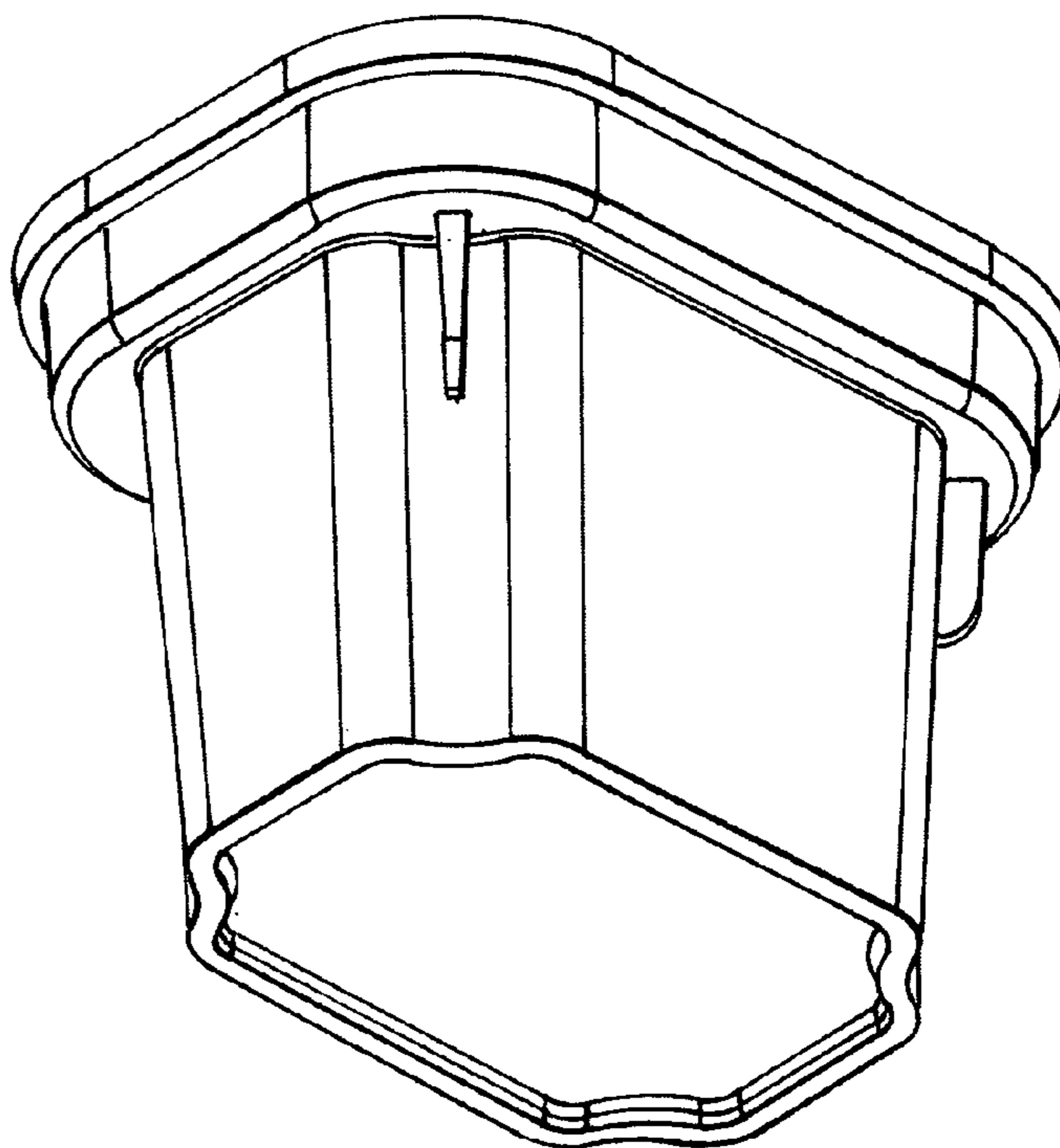


Fig. 4

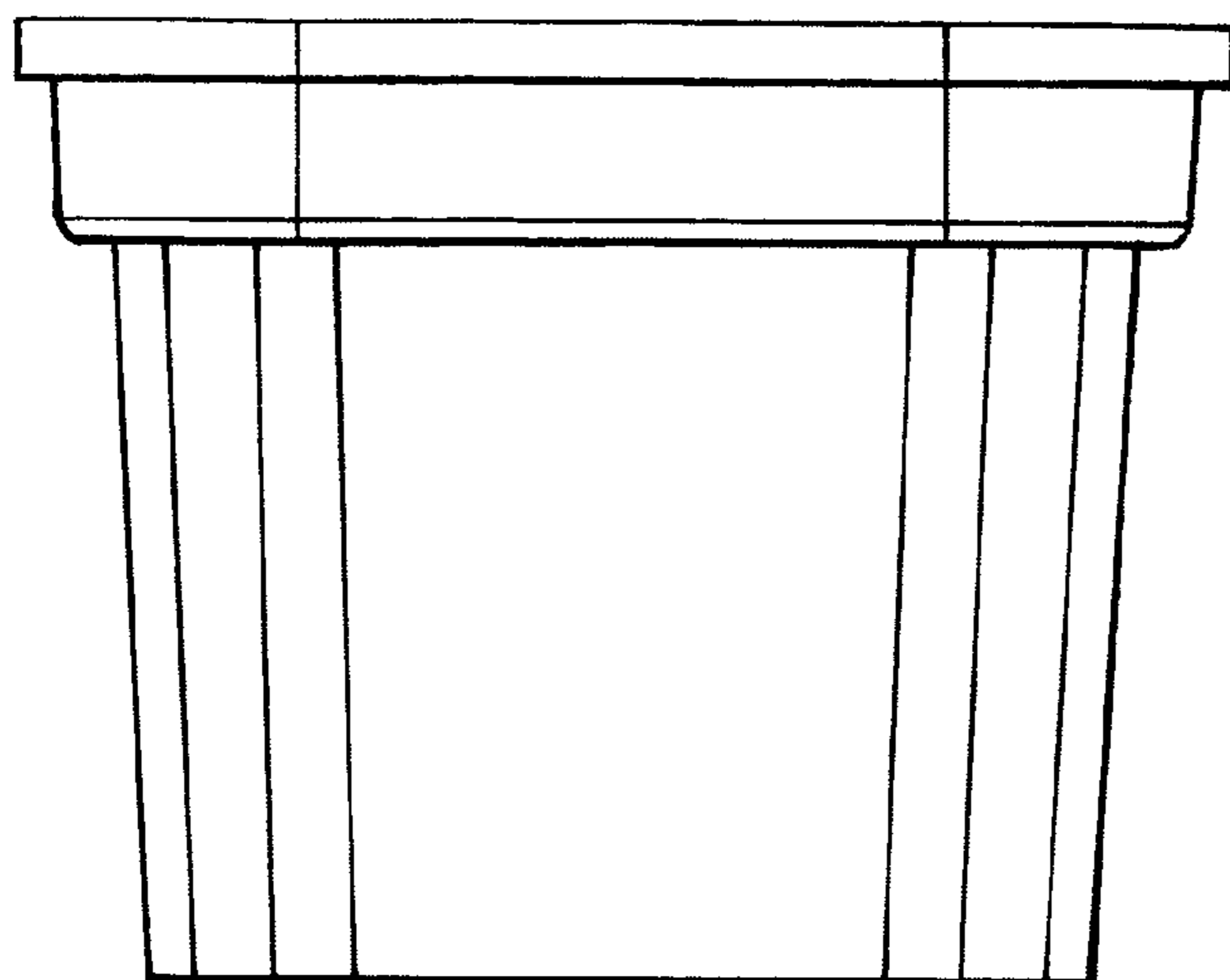


Fig. 5

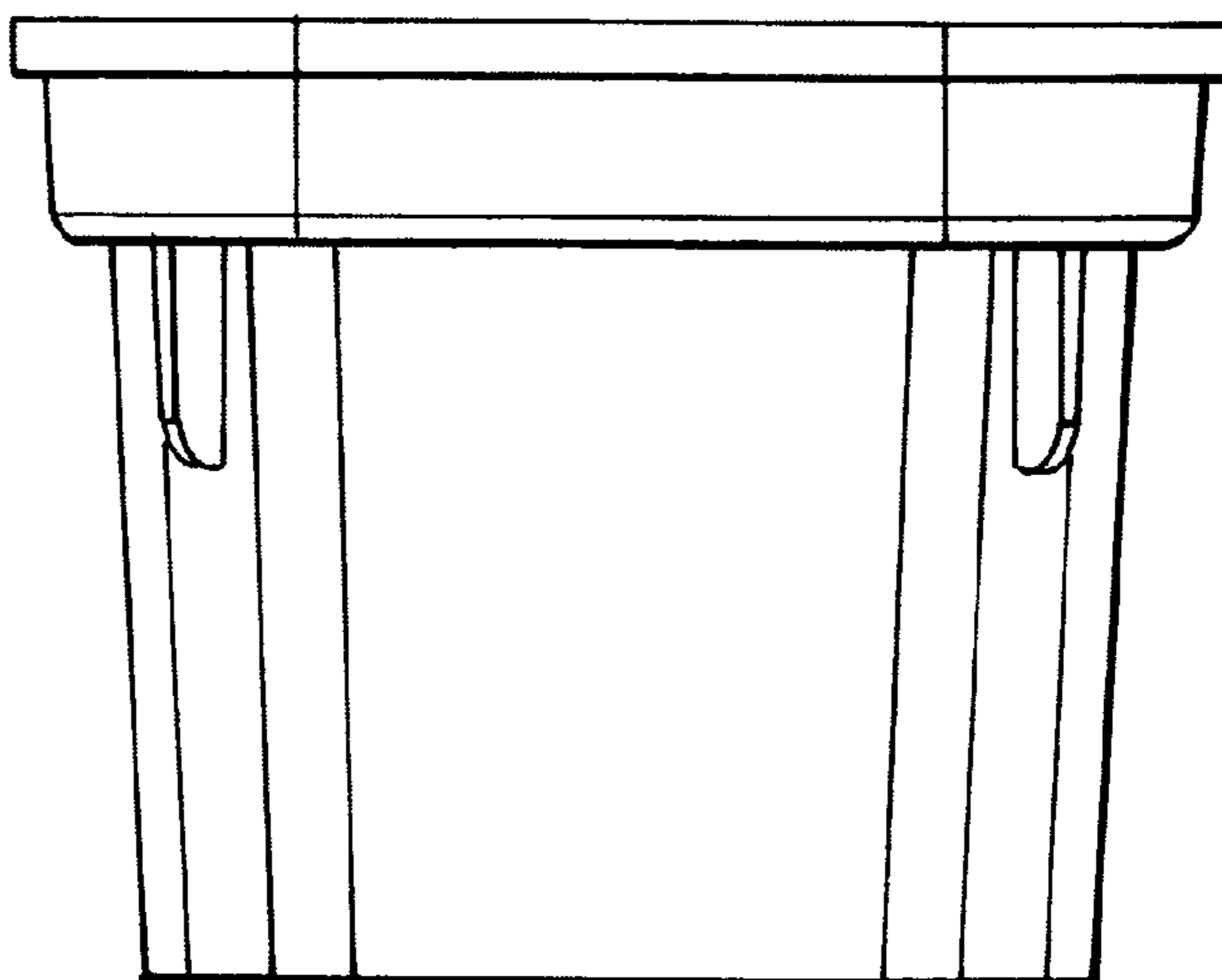


Fig. 6

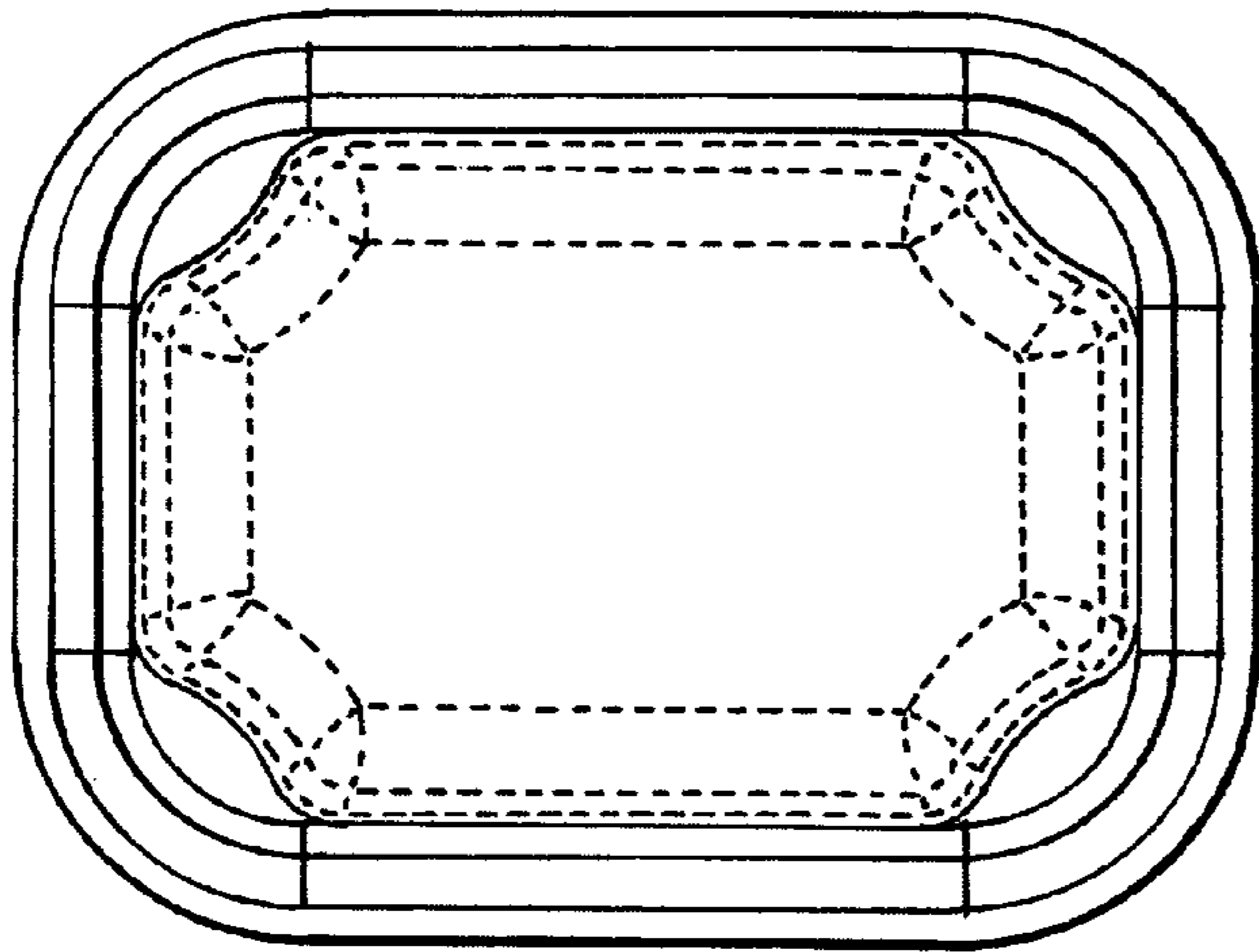


Fig. 7

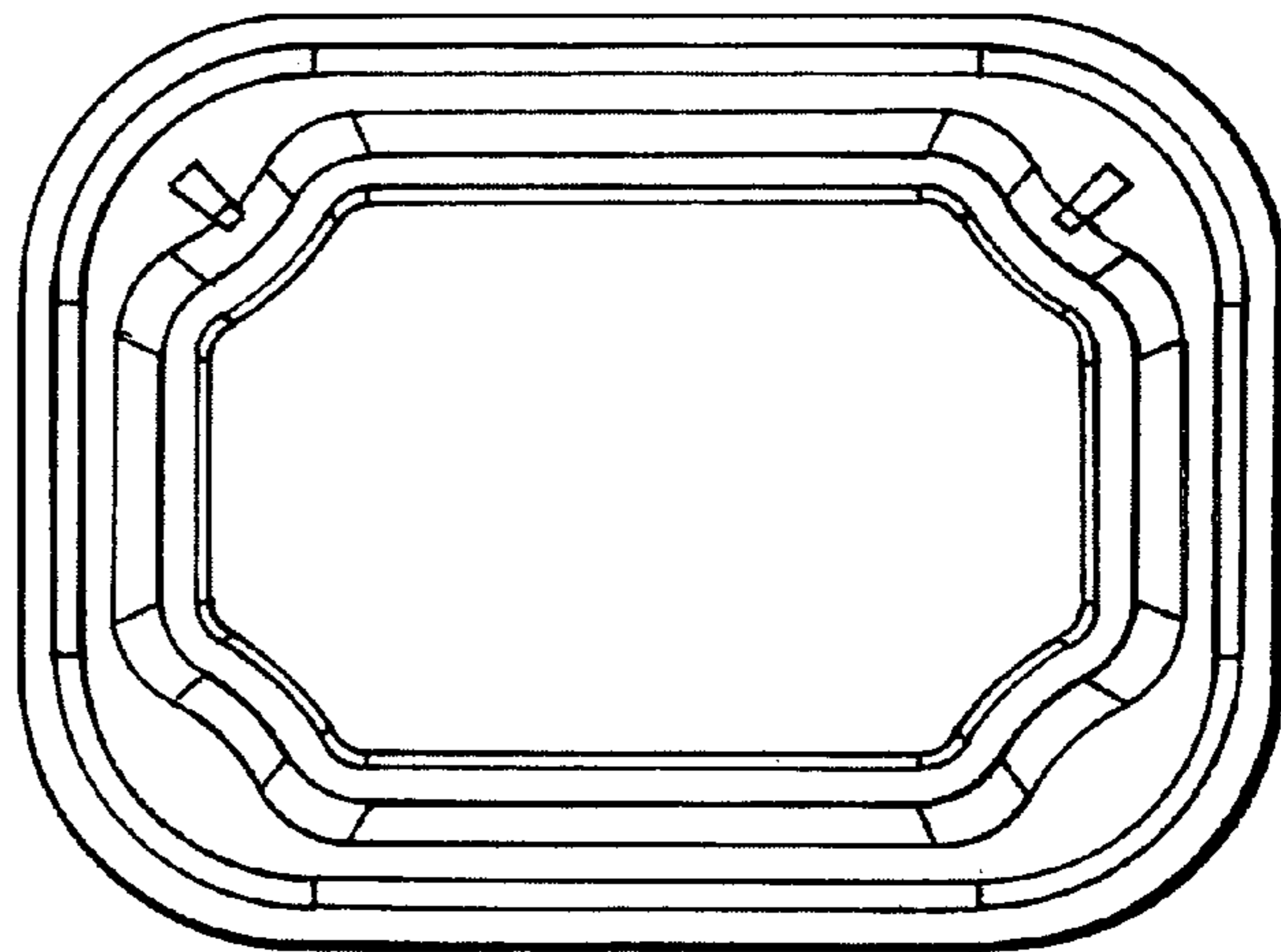


Fig. 8

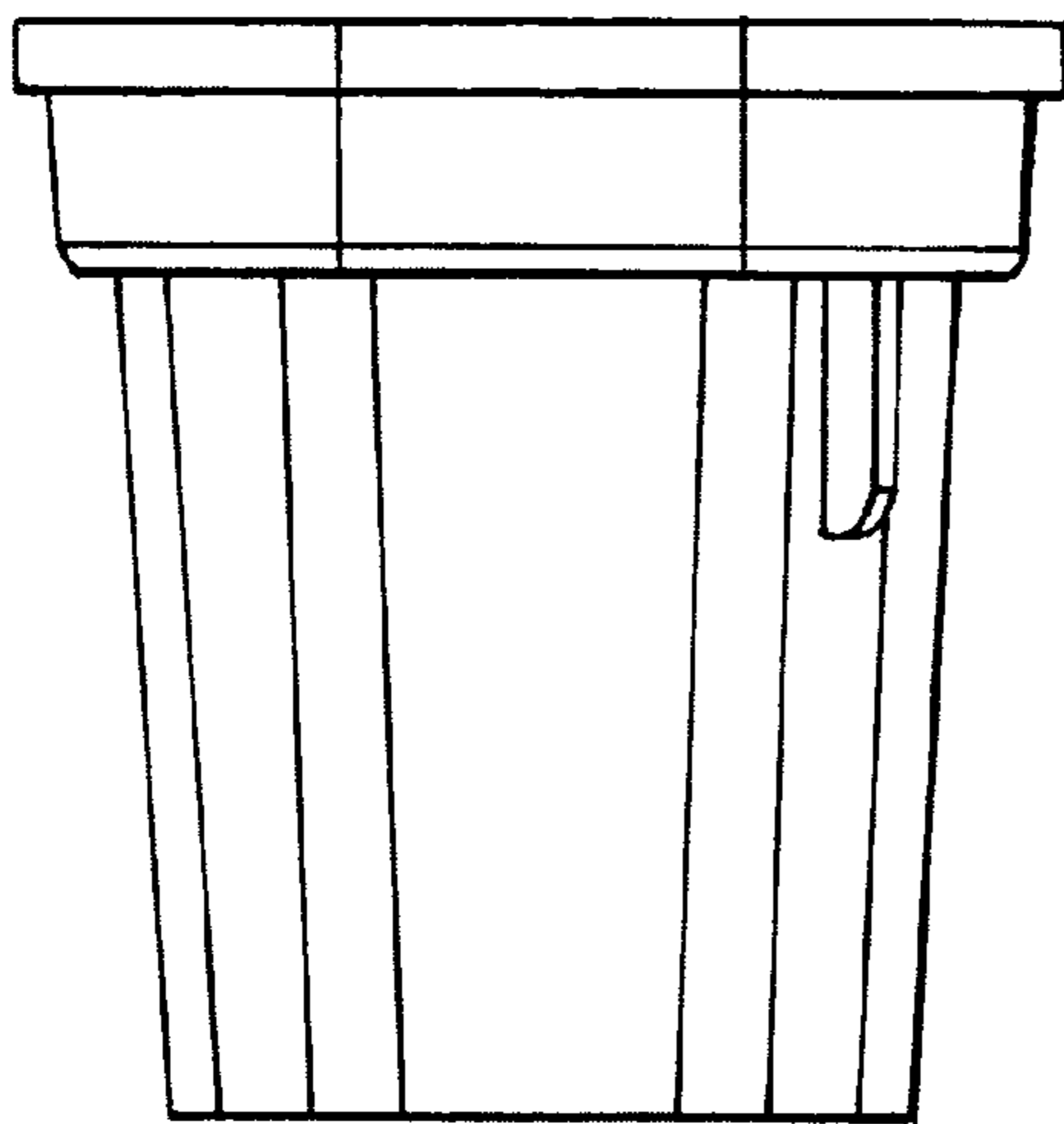


Fig. 9