



US00D661399S

(12) **United States Design Patent**
Wang

(10) **Patent No.:** **US D661,399 S**
(45) **Date of Patent:** **** Jun. 5, 2012**

(54) **DENTAL SCALING INSTRUMENT**

(76) Inventor: **Shu-Lung Wang**, Taipei Hsien (TW)

(**) Term: **14 Years**

(21) Appl. No.: **29/383,567**

(22) Filed: **Jan. 19, 2011**

(51) **LOC (9) Cl.** **24-02**

(52) **U.S. Cl.** **D24/176**

(58) **Field of Classification Search** D10/46;
D24/176, 177, 232-234; 433/80-90, 114-133
See application file for complete search history.

(56) **References Cited**

U.S. PATENT DOCUMENTS

6,106,288	A *	8/2000	Brassil et al.	433/88
D433,137	S *	10/2000	Pollock et al.	D24/176
6,293,793	B1 *	9/2001	Schuman et al.	433/86
6,450,811	B1 *	9/2002	Pollock et al.	433/86
2009/0081605	A1 *	3/2009	Hay et al.	433/29
2012/0028209	A1 *	2/2012	Werner et al.	433/29

* cited by examiner

Primary Examiner — Antoine D Davis

(74) *Attorney, Agent, or Firm* — Muncy, Geissler, Olds & Lowe, PLLC

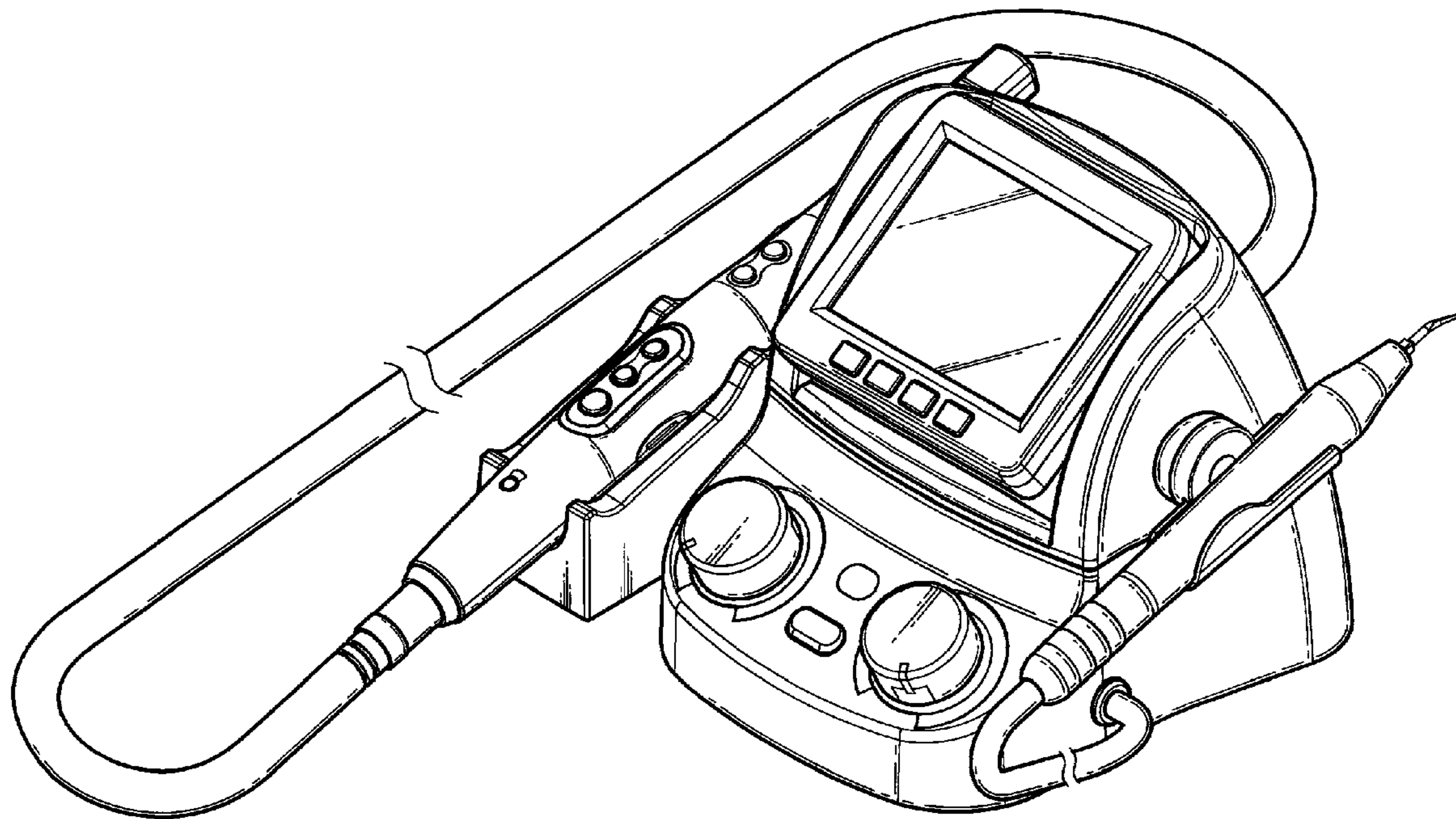
(57) **CLAIM**

The ornamental design for “dental scaling instrument,” as shown and described.

DESCRIPTION

FIG. 1 is a perspective view of “dental scaling instrument” showing my new design thereof;
FIG. 2 is a right plan view thereof;
FIG. 3 is a top side elevation view thereof;
FIG. 4 shows that a front side view thereof;
FIG. 5 is a bottom perspective view thereof;
FIG. 6 is a left side elevation view thereof;
FIG. 7 is a rear plan view thereof.
FIG. 8 is another perspective view thereof; and,
FIG. 9 is yet another perspective view thereof.

1 Claim, 9 Drawing Sheets



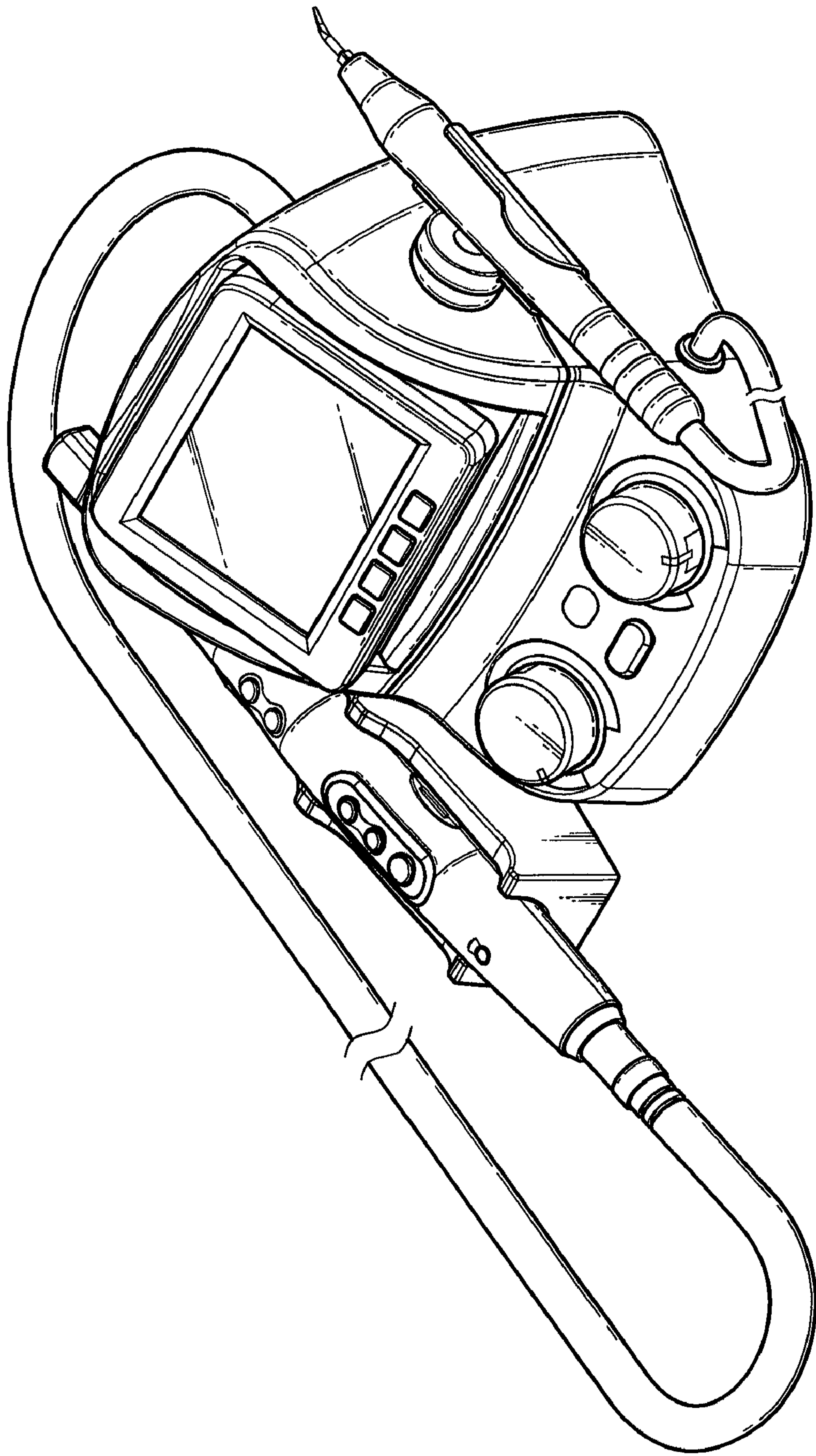


Fig. 1

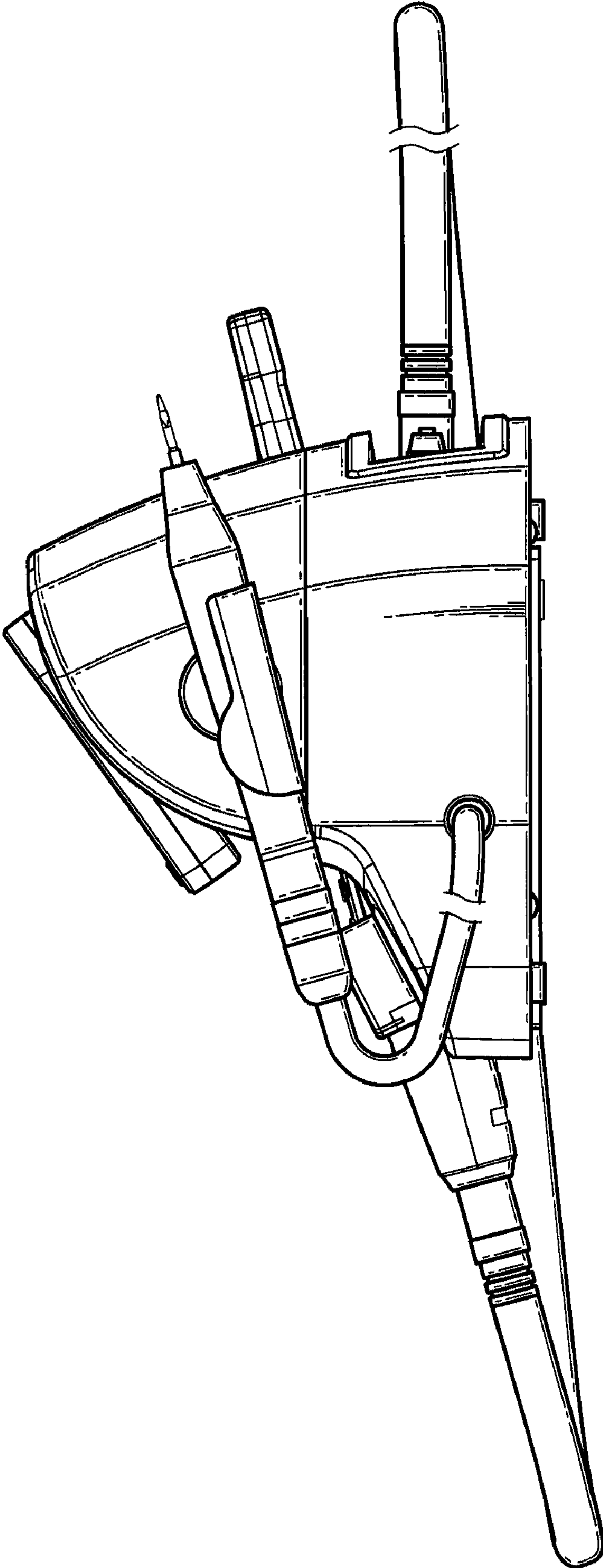


Fig. 2

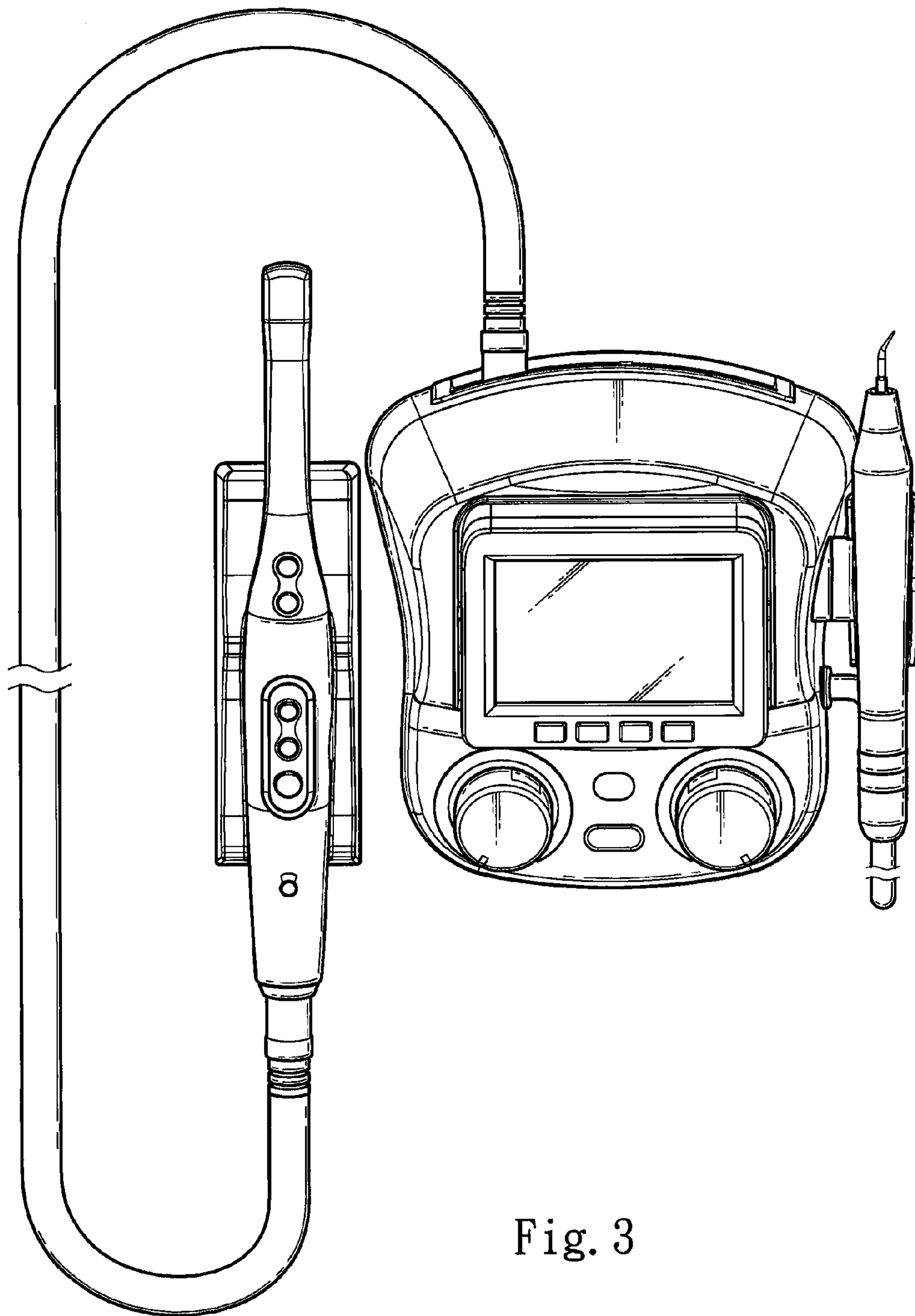


Fig. 3

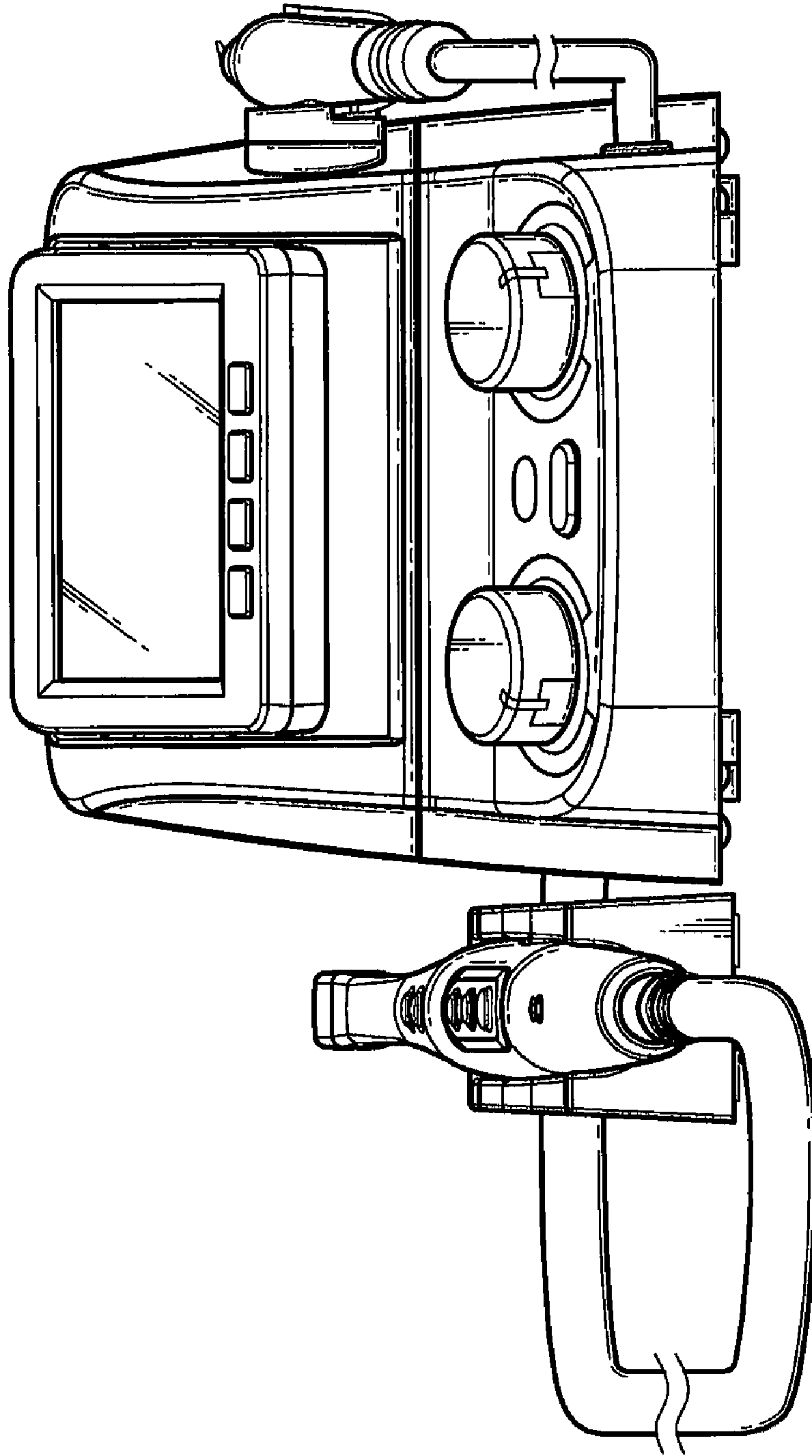
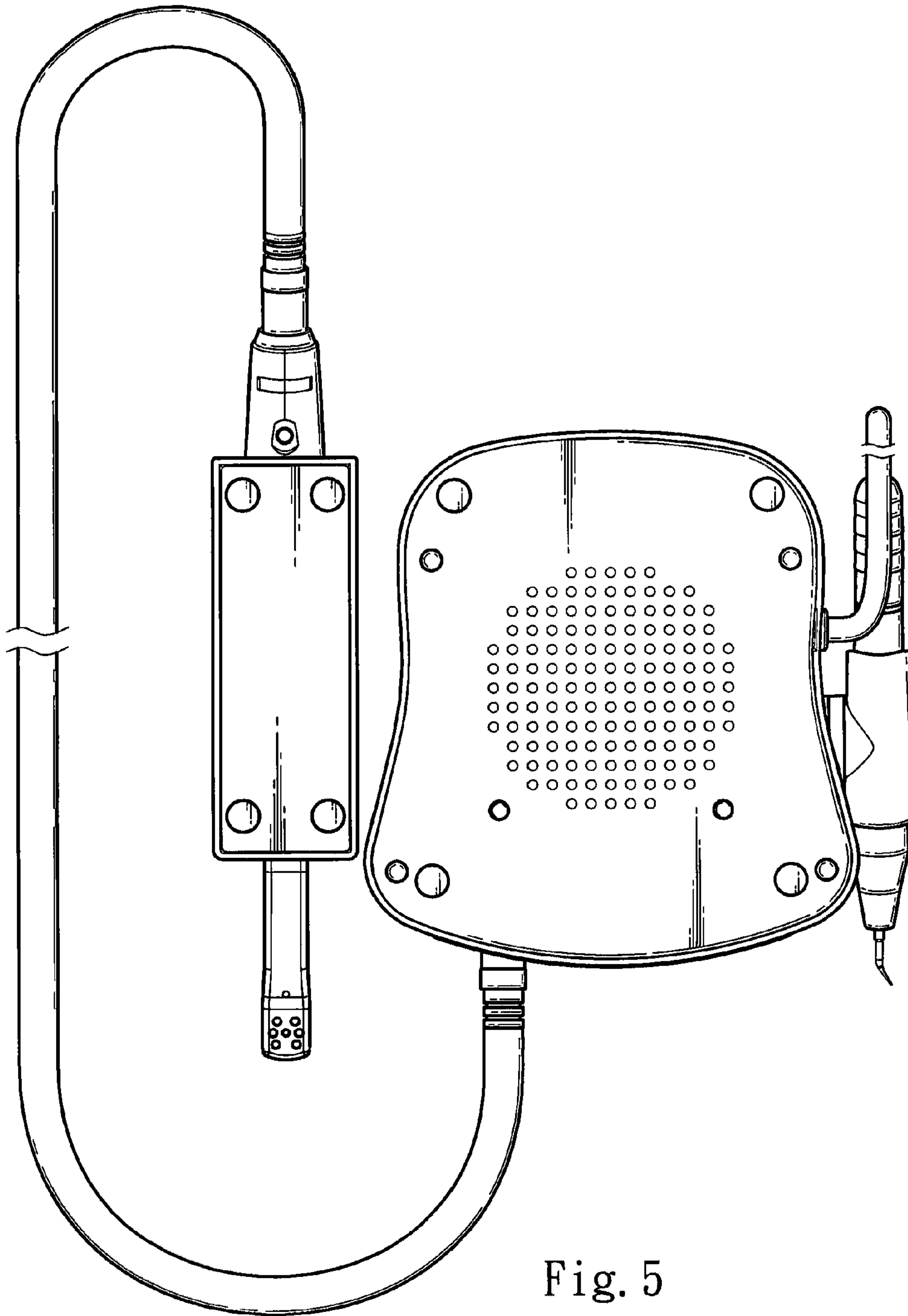


Fig. 4



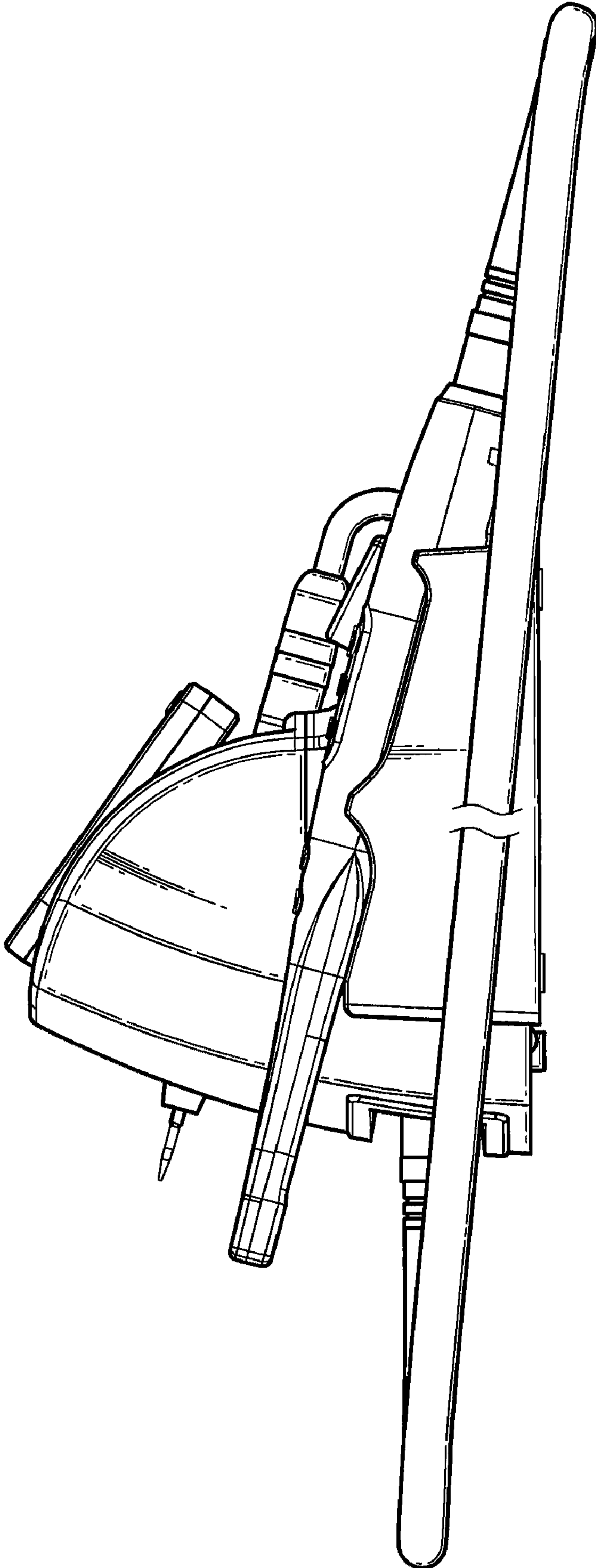


Fig. 6

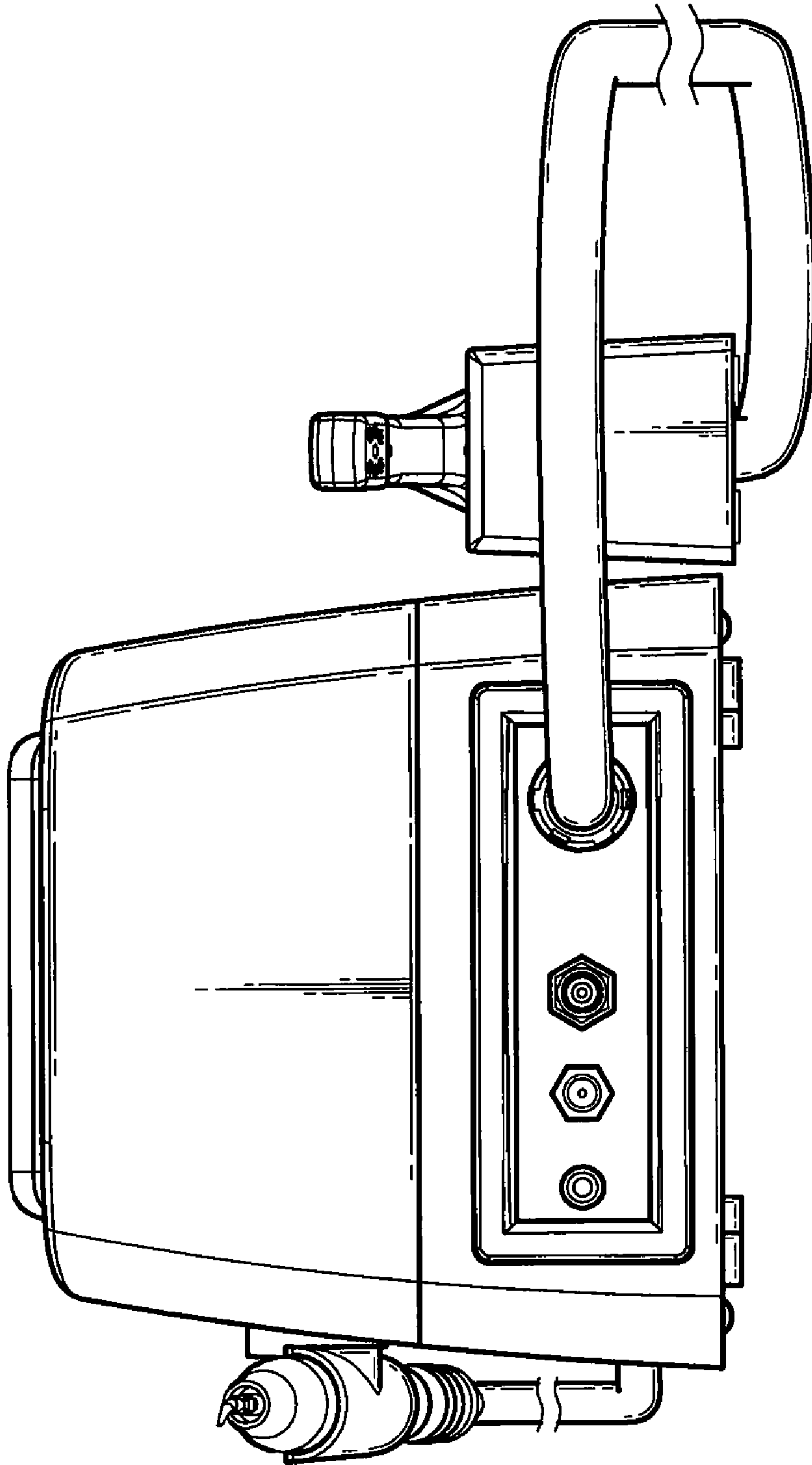


Fig. 7

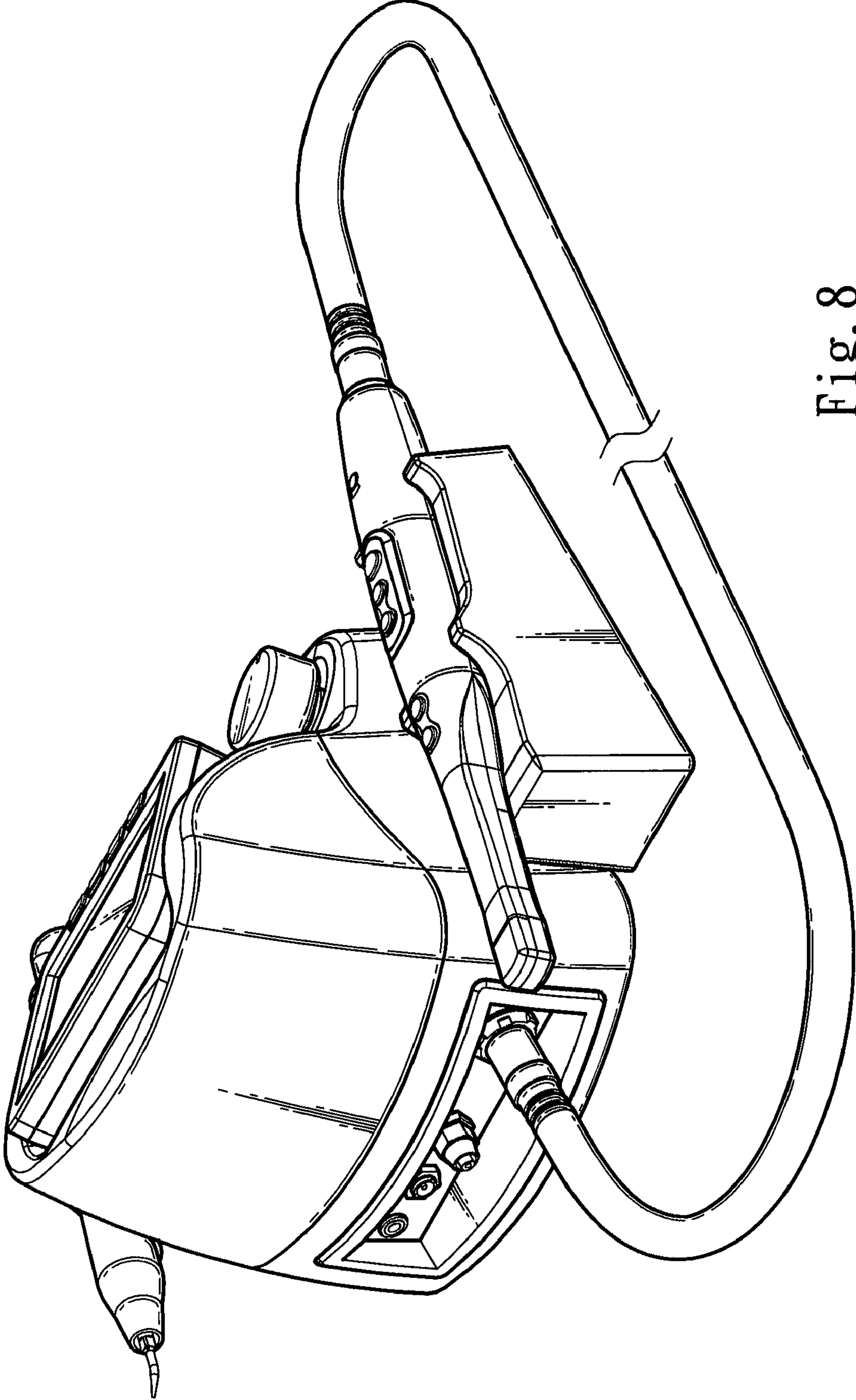


Fig. 8

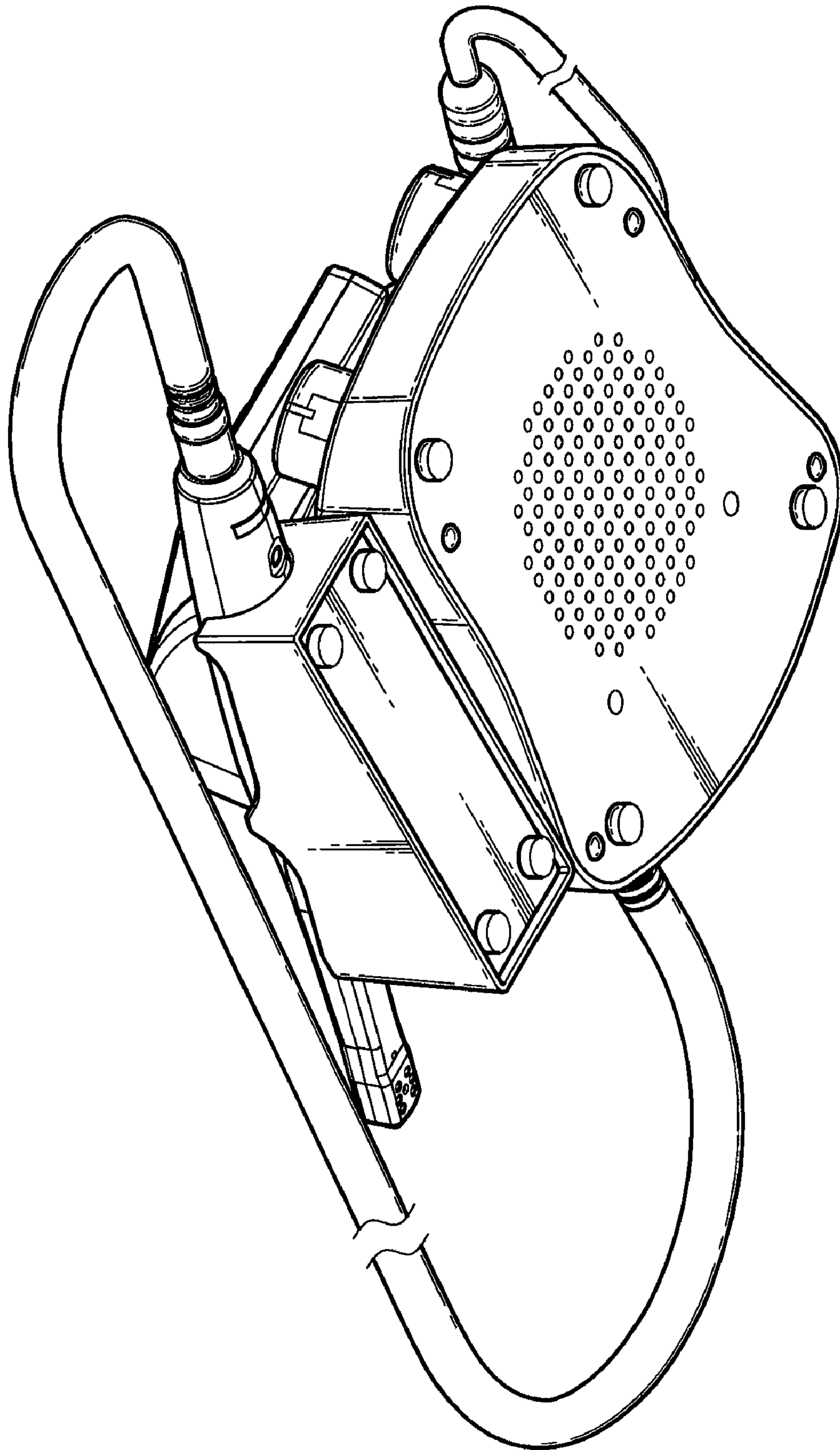


Fig. 9