

US00D661394S

(12) **United States Design Patent**  
**Romero et al.**

(10) **Patent No.:** **US D661,394 S**  
(45) **Date of Patent:** **\*\* Jun. 5, 2012**

(54) **DEVICE JAW**  
(75) Inventors: **Paul R. Romero**, Loveland, CO (US);  
**Andrew P. Roussell**, Broomfield, CO  
(US)

D424,694 S 5/2000 Tetzlaff et al.  
D425,201 S 5/2000 Tetzlaff et al.  
H1904 H 10/2000 Yates et al.  
D449,886 S 10/2001 Tetzlaff et al.  
D453,923 S 2/2002 Olson  
D454,951 S 3/2002 Bon  
D457,958 S 5/2002 Dycus et al.

(73) Assignee: **TYCO Healthcare Group LP**,  
Mansfield, MA (US)

(Continued)

(\*\*) Term: **14 Years**

FOREIGN PATENT DOCUMENTS  
CN 201299462 9/2009  
(Continued)

(21) Appl. No.: **29/386,042**

(22) Filed: **Feb. 24, 2011**

(51) **LOC (9) Cl.** ..... **24-02**

(52) **U.S. Cl.** ..... **D24/143; D24/144**

(58) **Field of Classification Search** ..... D24/133,  
D24/153, 146-144, 146-148; D8/51-52,  
D8/54; 606/48, 51-52, 170, 205-208

See application file for complete search history.

OTHER PUBLICATIONS  
U.S. Appl. No. 08/926,869, filed Sep. 10, 1997, James G. Chandler.  
(Continued)

*Primary Examiner* — Wan Laymon

(56) **References Cited**

(57) **CLAIM**  
The ornamental design for a device jaw, as shown and described.

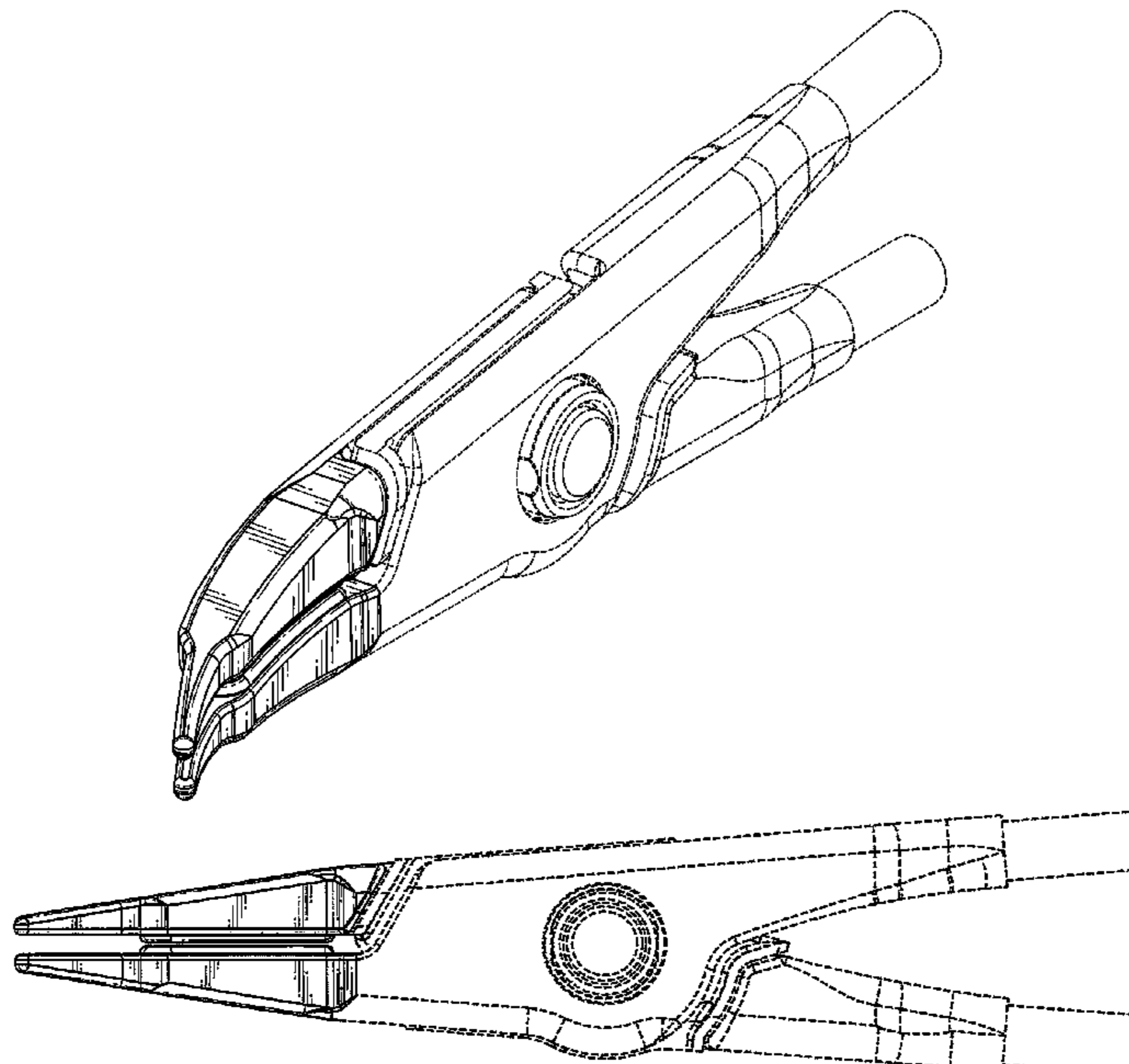
U.S. PATENT DOCUMENTS

D249,549 S	9/1978	Pike
D263,020 S	2/1982	Rau, III
D295,893 S	5/1988	Sharkany et al.
D295,894 S	5/1988	Sharkany et al.
D298,353 S	11/1988	Manno
D299,413 S	1/1989	DeCarolis
D343,453 S	1/1994	Noda
D348,930 S	7/1994	Olson
D349,341 S	8/1994	Lichtman et al.
D354,564 S	1/1995	Medema
D358,887 S	5/1995	Feinberg
D384,413 S	9/1997	Zlock et al.
H1745 H	8/1998	Paraschac
D402,028 S	12/1998	Grimm et al.
D408,018 S	4/1999	McNaughton
D416,089 S	11/1999	Barton et al.

**DESCRIPTION**

FIG. 1 is a front perspective view of a device jaw in accordance with the present design;  
FIG. 2 is a front elevation view of the device jaw of FIG. 1;  
FIG. 3 is a rear elevation view of the device jaw of FIG. 1;  
FIG. 4 is a left, side elevation view of the device jaw of FIG. 1;  
FIG. 5 is a right, side elevation view of the device jaw of FIG. 1;  
FIG. 6 is a top, plan view of the device jaw of FIG. 1; and,  
FIG. 7 is a bottom, plan view of the device jaw of FIG. 1.  
Broken lines illustrate unclaimed portions of a device jaw and form no part of the claimed design.

**1 Claim, 4 Drawing Sheets**



# US D661,394 S

## U.S. PATENT DOCUMENTS

D457,959	S	5/2002	Tetzlaff et al.	
H2037	H	7/2002	Yates et al.	
D465,281	S	11/2002	Lang	
D466,209	S	11/2002	Bon	
D493,888	S	8/2004	Reschke	
D496,997	S	10/2004	Dycus et al.	
D499,181	S	11/2004	Dycus et al.	
D502,994	S	3/2005	Blake, III	
D509,297	S	9/2005	Wells	
D525,361	S	7/2006	Hushka	
D531,311	S	10/2006	Guerra et al.	
D533,274	S	12/2006	Visconti et al.	
D533,942	S	12/2006	Kerr et al.	
D535,027	S	1/2007	James et al.	
7,160,299	B2 *	1/2007	Baily .....	606/51
D537,309	S	2/2007	Wang	
D538,932	S	3/2007	Malik	
D541,418	S	4/2007	Schechter et al.	
D541,611	S	5/2007	Aglassinger	
D541,938	S	5/2007	Kerr et al.	
D545,432	S	6/2007	Watanabe	
D547,154	S	7/2007	Lee	
7,267,677	B2 *	9/2007	Johnson et al. ....	606/51
D553,739	S	10/2007	Stammberger	
7,329,256	B2 *	2/2008	Johnson et al. ....	606/51
D564,662	S	3/2008	Moses et al.	
D567,943	S	4/2008	Moses et al.	
D575,395	S	8/2008	Hushka	
D575,401	S	8/2008	Hixson et al.	
D582,038	S	12/2008	Swoyer et al.	
7,553,312	B2 *	6/2009	Tetzlaff et al. ....	606/51
D617,900	S	6/2010	Kingsley et al.	
D617,901	S	6/2010	Unger et al.	
D617,902	S	6/2010	Twomey et al.	
D617,903	S	6/2010	Unger et al.	
D618,798	S	6/2010	Olson et al.	
D621,503	S	8/2010	Otten et al.	
7,766,910	B2 *	8/2010	Hixson et al. ....	606/51
D627,462	S	11/2010	Kingsley	
D628,289	S	11/2010	Romero	
D628,290	S	11/2010	Romero	
D630,324	S	1/2011	Reschke	
7,931,649	B2 *	4/2011	Couture et al. ....	606/51
7,947,041	B2 *	5/2011	Tetzlaff et al. ....	606/51
8,070,748	B2 *	12/2011	Hixson et al. ....	606/51
2009/0306660	A1 *	12/2009	Johnson et al. ....	606/51
2010/0063500	A1 *	3/2010	Muszala .....	606/48
2010/0087816	A1 *	4/2010	Roy .....	606/48
2011/0071523	A1 *	3/2011	Dickhans .....	606/52
2011/0301602	A1 *	12/2011	Roy et al. ....	606/51

## FOREIGN PATENT DOCUMENTS

DE	2415263	10/1975
DE	2514501	10/1976
DE	2627679	1/1977
DE	3423356	6/1986
DE	3612646	4/1987
DE	8712328	3/1988
DE	4303882	8/1994
DE	4403252	8/1995
DE	19515914	7/1996
DE	19506363	8/1996
DE	29616210	1/1997
DE	19608716	4/1997
DE	19751106	5/1998
DE	19751108	5/1999
DE	10045375	10/2002
DE	10 2004 026179	12/2005
DE	20 2007 009165	10/2007
DE	20 2007 009317	10/2007
DE	20 2007 016233	3/2008
DE	19738457	1/2009
DE	10 2008 018406	7/2009
EP	1159926	12/2001
JP	61-501068	9/1984
JP	6-502328	3/1992
JP	5-5106	1/1993

JP	5-40112	2/1993
JP	6-121797	5/1994
JP	6-285078	10/1994
JP	6-343644	12/1994
JP	6-511401	12/1994
JP	7-265328	10/1995
JP	8-56955	3/1996
JP	8-252263	10/1996
JP	8-317934	12/1996
JP	9-10223	1/1997
JP	9-122138	5/1997
JP	10-24051	1/1998
JP	11-070124	5/1998
JP	10-155798	6/1998
JP	2000-102545	9/1998
JP	11-47150	2/1999
JP	11-169381	6/1999
JP	11-192238	7/1999
JP	11-244298	9/1999
JP	2000-342599	12/2000
JP	2000-350732	12/2000
JP	2001-8944	1/2001
JP	2001-29356	2/2001
JP	2001-128990	5/2001
JP	2001-190564	7/2001
JP	2004-517668	6/2004
JP	2004-528869	9/2004
SU	401367	11/1974
WO	WO 00/36986	6/2000
WO	WO 01/15614	3/2001
WO	WO 01/54604	8/2001
WO	WO 05/110264	11/2005

## OTHER PUBLICATIONS

U.S. Appl. No. 09/177,950, filed Oct. 23, 1998, Randel A. Frazier.
U.S. Appl. No. 09/387,883, filed Sep. 1, 1999, Dale F. Schmaltz.
U.S. Appl. No. 09/591,328, filed Jun. 20, 2000, Thomas P. Ryan.
U.S. Appl. No. 12/336,970, filed Dec. 17, 2008, Paul R. Sremeich.
U.S. Appl. No. 12/692,414, filed Jan. 22, 2010, Peter M. Mueller.
U.S. Appl. No. 12/696,592, filed Jan. 29, 2010, Jennifer S. Harper.
U.S. Appl. No. 12/696,857, filed Jan. 29, 2010, Edward M. Chojin.
U.S. Appl. No. 12/700,856, filed Feb. 5, 2010, James E. Krapohl.
U.S. Appl. No. 12/719,407, filed Mar. 8, 2010, Arlen J. Reschke.
U.S. Appl. No. 12/728,994, filed Mar. 22, 2010, Edward M. Chojin.
U.S. Appl. No. 12/748,028, filed Mar. 26, 2010, Jessica E.C. Olson.
U.S. Appl. No. 12/757,340, filed Apr. 9, 2010, Carine Hoarau.
U.S. Appl. No. 12/758,524, filed Apr. 12, 2010, Duane E. Kerr.
U.S. Appl. No. 12/759,551, filed Apr. 13, 2010, Glenn A. Horner.
U.S. Appl. No. 12/769,444, filed Apr. 28, 2010, Glenn A. Norner.
U.S. Appl. No. 12/770,369, filed Apr. 29, 2010, Glenn A. Horner.
U.S. Appl. No. 12/770,380, filed Apr. 29, 2010, Glenn A. Horner.
U.S. Appl. No. 12/770,387, filed Apr. 29, 2010, Glenn A. Horner.
U.S. Appl. No. 12/773,526, filed May 4, 2010, Duane E. Kerr.
U.S. Appl. No. 12/773,644, filed May 4, 2010, Thomas J. Gerhardt.
U.S. Appl. No. 12/786,589, filed May 25, 2010, Duane E. Kerr.
U.S. Appl. No. 12/791,112, filed Jun. 1, 2010, David M. Garrison.
U.S. Appl. No. 12/792,001, filed Jun. 2, 2010, Duane E. Kerr.
U.S. Appl. No. 12/792,008, filed Jun. 2, 2010, Duane E. Kerr.
U.S. Appl. No. 12/792,019, filed Jun. 2, 2010, Duane E. Kerr.
U.S. Appl. No. 12/792,038, filed Jun. 2, 2010, Glenn A. Horner.
U.S. Appl. No. 12/792,051, filed Jun. 2, 2010, David M. Garrison.
U.S. Appl. No. 12/792,068, filed Jun. 2, 2010, Glenn A. Horner.
U.S. Appl. No. 12/792,097, filed Jun. 2, 2010, Duane E. Kerr.
U.S. Appl. No. 12/792,262, filed Jun. 2, 2010, Jeffrey M. Roy.
U.S. Appl. No. 12/792,299, filed Jun. 2, 2010, Jeffrey M. Roy.
U.S. Appl. No. 12/792,330, filed Jun. 2, 2010, David M. Garrison.
U.S. Appl. No. 12/822,024, filed Jun. 23, 2010, Peter M. Mueller.
U.S. Appl. No. 12/821,253, filed Jun. 23, 2010, Edward M. Chojin.
U.S. Appl. No. 12/832,772, filed Jul. 8, 2010, Gary M. Couture.
U.S. Appl. No. 12/843,384, filed Jul. 26, 2010, David M. Garrison.
U.S. Appl. No. 12/845,203, filed Jul. 28, 2010, Gary M. Couture.
U.S. Appl. No. 12/853,896, filed Aug. 10, 2010, William H. Nau, Jr.
U.S. Appl. No. 12/859,896, filed Aug. 20, 2010, Peter M. Mueller.
U.S. Appl. No. 12/861,198, filed Aug. 23, 2010, James A. Gilbert.
U.S. Appl. No. 12/861,209, filed Aug. 23, 2010, William H. Nau, Jr.

- U.S. Appl. No. 12/876,668, filed Sep. 7, 2010, Sara E. Anderson.
- U.S. Appl. No. 12/876,680, filed Sep. 7, 2010, Peter M. Mueller.
- U.S. Appl. No. 12/876,705, filed Sep. 7, 2010, Kristin D. Johnson.
- U.S. Appl. No. 12/876,731, filed Sep. 7, 2010, Kristin D. Johnson.
- U.S. Appl. No. 12/877,199, filed Sep. 8, 2010, Arlen J. Reschke.
- U.S. Appl. No. 12/877,482, filed Sep. 8, 2010, Gary M. Couture.
- U.S. Appl. No. 12/895,020, filed Sep. 30, 2010, Jeffrey M. Roy.
- U.S. Appl. No. 12/896,100, filed Oct. 1, 2010, Ryan Artale.
- U.S. Appl. No. 12/897,346, filed Oct. 4, 2010, Ryan Artale.
- U.S. Appl. No. 12/906,672, filed Oct. 18, 2010, Kathy E. Rooks.
- U.S. Appl. No. 12/915,809, filed Oct. 29, 2010, Thomas J. Gerhardt, Jr.
- U.S. Appl. No. 12/947,352, filed Nov. 16, 2010, Jason L. Craig.
- U.S. Appl. No. 12/947,420, filed Nov. 16, 2010, Jason L. Craig.
- U.S. Appl. No. 12/948,081, filed Nov. 17, 2010, Boris Chernov.
- U.S. Appl. No. 12/948,144, filed Nov. 17, 2010, Boris Chernov.
- U.S. Appl. No. 12/950,505, filed Nov. 19, 2010, David M. Garrison.
- U.S. Appl. No. 12/955,010, filed Nov. 29, 2010, Paul R. Romero.
- U.S. Appl. No. 12/955,042, filed Nov. 29, 2010, Steven C. Rupp.
- U.S. Appl. No. 12/981,771, filed Dec. 30, 2010, James D. Allen, IV.
- U.S. Appl. No. 12/981,787, filed Dec. 30, 2010, John R. Twomey.
- U.S. Appl. No. 13/006,538, filed Jan. 14, 2011, John W. Twomey.
- U.S. Appl. No. 13,029,390, filed Feb. 17, 2011, Michael C. Moses.
- U.S. Appl. No. 13/030,231, filed Feb. 18, 2011, Jeffrey M. Roy.
- U.S. Appl. No. 13/050,182, filed Mar. 17, 2011, Glenn A. Horner.
- U.S. Appl. No. 13/072,945, filed Mar. 28, 2011, Patrick L. Dumbauld.
- U.S. Appl. No. 13/075,847, filed Mar. 30, 2011, Gary M. Couture.
- U.S. Appl. No. 13/080,383, filed Apr. 5, 2011, David M. Garrison.
- U.S. Appl. No. 13/083,962, filed Apr. 11, 2011, Michael C. Moses.
- U.S. Appl. No. 13/085,144, filed Apr. 12, 2011, Keir Hart.
- U.S. Appl. No. 13/089,779, filed Apr. 19, 2011, Yevgeniy Fedotov.
- U.S. Appl. No. 13/091,331, filed Apr. 21, 2011, Jeffrey R. Townsend.
- U.S. Appl. No. 13/102,573, filed May 6, 2011, John R. Twomey.
- U.S. Appl. No. 13/102,604, filed May 6, 2011, Paul E. Ourada.
- U.S. Appl. No. 13/108,093, filed May 16, 2011, Boris Chernov.
- U.S. Appl. No. 13/108,129, filed May 16, 2011, Boris Chernov.
- U.S. Appl. No. 13/108,152, filed May 16, 2011, Boris Chernov.
- U.S. Appl. No. 13/108,177, filed May 16, 2011, Boris Chernov.
- U.S. Appl. No. 13/108,196, filed May 16, 2011, Boris Chernov.
- U.S. Appl. No. 13/108,441, filed May 16, 2011, Boris Chernov.
- U.S. Appl. No. 13/108,468, filed May 16, 2011, Boris Chernov.
- U.S. Appl. No. 13/111,642, filed May 19, 2011, John R. Twomey.
- U.S. Appl. No. 13/111,678, filed May 19, 2011, Nikolay Kharin.
- U.S. Appl. No. 13/113,231, filed May 23, 2011, David M. Garrison.
- U.S. Appl. No. 13/157,047, filed Jun. 9, 2011, John R. Twomey.
- U.S. Appl. No. 13/162,814, filed Jun. 17, 2011, Barbara R. Tyrrell.
- U.S. Appl. No. 13/166,477, filed Jun. 22, 2011, Daniel A. Joseph.
- U.S. Appl. No. 13/166,497, filed Jun. 22, 2011, Daniel A. Joseph.
- U.S. Appl. No. 13/179,919, filed Jul. 11, 2011, Russell D. Hempstead.
- U.S. Appl. No. 13/179,960, filed Jul. 11, 2011, Boris Chernov.
- U.S. Appl. No. 13/179,975, filed Jul. 11, 2011, Grant T. Sims.
- U.S. Appl. No. 13/180,018, filed Jul. 11, 2011, Chase Collings.
- U.S. Appl. No. 13/183,856, filed Jul. 15, 2011, John R. Twomey.
- U.S. Appl. No. 13/185,593, filed Jul. 19, 2011, James D. Allen, IV.
- Michael Choti, "Abdominoperineal Resection with the LigaSure Vessel Sealing System and LigaSure Atlas 20 cm Open Instrument"; *Innovations That Work*, Jun. 2003.
- Chung et al., "Clinical Experience of Sutureless Closed Hemorrhoidectomy with LigaSure" *Diseases of the Colon & Rectum* vol. 46, No. 1 Jan. 2003.
- Tinkler L.F., "Combined Diathermy and Suction Forceps", Feb. 6, 1967 (Feb. 6, 1965), *British Medical Journal* Feb. 6, 1976, vol. 1, nr. 5431 p. 361, ISSN: 0007-1447.
- Carbonell et al., "Comparison of the Gyrus PlasmaKinetic Sealer and the Valleylab LigaSure Device in the Hemostasis of Small, Medium, and Large-Sized Arteries" *Carolinas Laparoscopic and Advanced Surgery Program*, Carolinas Medical Center, Charlotte, NC; Date: Aug. 2003.
- Peterson et al. "Comparison of Healing Process Following Ligation with Sutures and Bipolar Vessel Sealing" *Surgical Technology International* (2001).
- "Electrosurgery: A Historical Overview" *Innovations in Electrosurgery; Sales/Product Literature*; Dec. 31, 2000.
- Johnson et al. "Evaluation of a Bipolar Electrothermal Vessel Sealing Device in Hemorrhoidectomy" *Sales/Product Literature*; Jan. 2004.
- E. David Crawford "Evaluation of a New Vessel Sealing Device in Urologic Cancer Surgery" *Sales/Product Literature* 2000.
- Johnson et al. "Evaluation of the LigaSure Vessel Sealing System in Hemorrhoidectomy" *American College of Surgeons (ACS) Clinica Congress Poster* (2000).
- Muller et al., "Extended Left Hemicolectomy Using the LigaSure Vessel Sealing System" *Innovations That Work*, Sep. 1999.
- Kennedy et al. "High-burst-strength, feedback-controlled bipolar vessel sealing" *Surgical Endoscopy* (1998) 12: 876-878.
- Burdette et al. "In Vivo Probe Measurement Technique For Determining Dielectric Properties At VHF Through Microwave Frequencies", *IEEE Transactions on Microwave Theory and Techniques*, vol. MTT-28, No. 4, Apr. 1980 pp. 414-427.
- Carus et al., "Initial Experience With The LigaSure Vessel Sealing System in Abdominal Surgery" *Innovations That Work*, Jun. 2002.
- Heniford et al. "Initial Research and Clinical Results with an Electrothermal Bipolar Vessel Sealer" Oct. 1999.
- Heniford et al. "Initial Results with an Electrothermal Bipolar Vessel Sealer" *Surgical Endoscopy* (2000) 15:799-801.
- Herman et al., "Laparoscopic Intestinal Resection With the LigaSure Vessel Sealing System: A Case Report"; *Innovations That Work*, Feb. 2002.
- Koyle et al., "Laparoscopic Palomo Varicocele Ligation in Children and Adolescents" *Pediatric Endosurgery & Innovative Techniques*, vol. 6, No. 1, 2002.
- W. Scott Helton, "LigaSure Vessel Sealing System: Revolutionary Hemostasis Product for General Surgery"; *Sales/Product Literature* 1999.
- LigaSure Vessel Sealing System, the Seal of Confidence in General, Gynecologic, Urologic, and Laparoscopic Surgery; *Sales/Product Literature*; Apr. 2002.
- Joseph Ortenberg "LigaSure System Used in Laparoscopic 1st and 2nd Stage Orchiopexy" *Innovations That Work*, Nov. 2002.
- Sigel et al. "The Mechanism of Blood Vessel Closure by High Frequency Electrocoagulation" *Surgery Gynecology & Obstetrics*, Oct. 1965 pp. 823-831.
- Sampayan et al, "Multilayer Ultra-High Gradient Insulator Technology" *Discharges and Electrical Insulation in Vacuum*, 1998. Netherlands Aug. 17-21, 1998; vol. 2, pp. 740-743.
- Paul G. Horgan, "A Novel Technique for Parenchymal Division During Hepatectomy" *The American Journal of Surgery*, vol. 181, No. 3, Apr. 2001 pp. 236-237.
- Benaron et al., "Optical Time-Of-Flight and Absorbance Imaging of Biologic Media", *Science, American Association for the Advancement Of Science*, Washington, DC, vol. 259, Mar. 5, 1993, pp. 1463-1466.
- Olsson et al. "Radical Cystectomy in Females" *Current Surgical Techniques in Urology*, vol. 14, Issue 3, 2001.
- Palazzo et al. "Randomized clinical trial of Ligasure versus open haemorrhoidectomy" *British Journal of Surgery* 2002, 89, 154-157.
- Levy et al. "Randomized Trial of Suture Versus Electrothermal Bipolar Vessel Sealing in Vaginal Hysterectomy" *Obstetrics & Gynecology*, vol. 102, No. 1, Jul. 2003.
- "Reducing Needlestick Injuries in the Operating Room" *Sales/Product Literature* 2001.
- Bergdahl et al. "Studies on Coagulation and the Development of an Automatic Computerized Bipolar Coagulator" *J.Neurosurg*, vol. 75, Jul. 1991, pp. 148-151.
- Strasberg et al. "A Phase I Study of the LigaSure Vessel Sealing System in Hepatic Surgery" *Section of HPB Surger*, Washington University School of Medicine, St. Louis MO, Presented at AHPBA, Feb. 2001.
- Sayfan et al. "Sutureless Closed Hemorrhoidectomy: A New Technique" *Annals of Surgery* vol. 234 No. 1 Jul. 2001; pp. 21-24.
- Levy et al., "Update on Hysterectomy—New Technologies and Techniques" *OBG Management*, Feb. 2003.
- Dulemba et al. "Use of a Bipolar Electrothermal Vessel Sealer in Laparoscopically Assisted Vaginal Hysterectomy" *Sales/Product Literature*; Jan. 2004.

- Strasberg et al., "Use of a Bipolar Vessel-Sealing Device for Parenchymal Transection During Liver Surgery" *Journal of Gastrointestinal Surgery*, vol. 6, No. 4, Jul./Aug. 2002 pp. 569-574.
- Sengupta et al., "Use of a Computer-Controlled Bipolar Diathermy System in Radical Prostatectomies and Other Open Urological Surgery" *ANZ Journal of Surgery* (2001) 71.9 pp. 538-540.
- Rothenberg et al. "Use of the LigaSure Vessel Sealing System in Minimally Invasive Surgery in Children" *Int'l Pediatric Endosurgery Group (IPEG) 2000*.
- Crawford et al. "Use of the LigaSure Vessel Sealing System in Urologic Cancer Surgery" *Grand Rounds in Urology 1999* vol. 1 Issue 4 pp. 10-17.
- Craig Johnson, "Use of the LigaSure Vessel Sealing System in Bloodless Hemorrhoidectomy" *Innovations That Work*, Mar. 2000.
- Levy et al. "Use of a New Energy-based Vessel Ligation Device During Vaginal Hysterectomy" *Int'l Federation of Gynecology and Obstetrics (FIGO) World Congress 1999*.
- Barbara Levy, "Use of a New Vessel Ligation Device During Vaginal Hysterectomy" *FIGO 2000*, Washington, D.C.
- E. David Crawford "Use of a Novel Vessel Sealing Technology in Management of the Dorsal Venous Complex" *Sales/Product Literature 2000*.
- Jarrett et al., "Use of the LigaSure Vessel Sealing System for Perihilar Vessels in Laparoscopic Nephrectomy" *Sales/Product Literature 2000*.
- Crouch et al. "A Velocity-Dependent Model for Needle Insertion in Soft Tissue" *Miccai 2005*; LNCS 3750 pp. 624-632, Dated: 2005.
- McLellan et al. "Vessel Sealing for Hemostasis During Pelvic Surgery" *Int'l Federation of Gynecology and Obstetrics FIGO World Congress 2000*, Washington, D.C.
- McLellan et al. "Vessel Sealing for Hemostasis During Gynecologic Surgery" *Sales/Product Literature 1999*.
- Int'l Search Report EP 98944778.4 dated Oct. 31, 2000.
- Int'l Search Report EP 98957771 dated Aug. 9, 2001.
- Int'l Search Report EP 98957773 dated Aug. 1, 2001.
- Int'l Search Report EP 98958575.7 dated Sep. 20, 2002.
- Int'l Search Report EP 04013772.1 dated Apr. 1, 2005.
- Int'l Search Report EP 04027314.6 dated Mar. 10, 2005.
- Int'l Search Report EP 04027479.7 dated Mar. 8, 2005.
- Int'l Search Report EP 04027705.5 dated Feb. 3, 2005.
- Int'l Search Report EP 04709033.7 dated Dec. 8, 2010.
- Int'l Search Report EP 04752343.6 dated Jul. 20, 2007.
- Int'l Search Report EP 05002671.5 dated Dec. 22, 2008.
- Int'l Search Report EP 05002674.9 dated Jan. 16, 2009.
- Int'l Search Report EP 05013463.4 dated Oct. 7, 2005.
- Int'l Search Report EP 05013894 dated Feb. 3, 2006.
- Int'l Search Report EP 05013895.7 dated Oct. 21, 2005.
- Int'l Search Report EP 05016399.7 dated Jan. 13, 2006.
- Int'l Search Report EP 05017281.6 dated Nov. 24, 2005.
- Int'l Search Report EP 05019130.3 dated Oct. 27, 2005.
- Int'l Search Report EP 05019429.9 dated May 6, 2008.
- Int'l Search Report EP 05020532 dated Jan. 10, 2006.
- Int'l Search Report EP 05020665.5 dated Feb. 27, 2006.
- Int'l Search Report EP 05020666.3 dated Feb. 27, 2006.
- Int'l Search Report EP 05021197.8 dated Feb. 20, 2006.
- Int'l Search Report EP 05021779.3 dated Feb. 2, 2006.
- Int'l Search Report EP 05021780.1 dated Feb. 23, 2006.
- Int'l Search Report EP 05021937.7 dated Jan. 23, 2006.
- Int'l Search Report—extended—EP 05021937.7 dated Mar. 15, 2006.
- Int'l Search Report EP 05023017.6 dated Feb. 24, 2006.
- Int'l Search Report EP 06002279.5 dated Mar. 30, 2006.
- Int'l Search Report EP 06005185.1 dated May 10, 2006.
- Int'l Search Report EP 06006716.2 dated Aug. 4, 2006.
- Int'l Search Report EP 06008515.6 dated Jan. 8, 2009.
- Int'l Search Report EP 06008779.8 dated Jul. 13, 2006.
- Int'l Search Report EP 06014461.5 dated Oct. 31, 2006.
- Int'l Search Report EP 06020574.7 dated Oct. 2, 2007.
- Int'l Search Report EP 06020583.8 dated Feb. 7, 2007.
- Int'l Search Report EP 06020584.6 dated Feb. 1, 2007.
- Int'l Search Report EP 06020756.0 dated Feb. 16, 2007.
- Int'l Search Report EP 06 024122.1 dated Apr. 16, 2007.
- Int'l Search Report EP 06024123.9 dated Mar. 6, 2007.
- Int'l Search Report EP 07 001480.8 dated Apr. 19, 2007.
- Int'l Search Report EP 07 001488.1 dated Jun. 5, 2007.
- Int'l Search Report EP 07 004429.2 dated Nov. 2, 2010.
- Int'l Search Report EP 07 009026.1 dated Oct. 8, 2007.
- Int'l Search Report Extended—EP 07 009029.5 dated Jul. 20, 2007.
- Int'l Search Report EP 07 009321.6 dated Aug. 28, 2007.
- Int'l Search Report EP 07 010672.9 dated Oct. 16, 2007.
- Int'l Search Report EP 07 013779.9 dated Oct. 26, 2007.
- Int'l Search Report EP 07 014016 dated Jan. 28, 2008.
- Int'l Search Report EP 07 015191.5 dated Jan. 23, 2008.
- Int'l Search Report EP 07 015601.3 dated Jan. 4, 2008.
- Int'l Search Report EP 07 016911 dated May 28, 2010.
- Int'l Search Report EP 07 020283.3 dated Feb. 5, 2008.
- Int'l Search Report EP 07 021646.0 dated Mar. 20, 2008.
- Int'l Search Report EP 07 021646.0 dated Jul. 9, 2008.
- Int'l Search Report EP 07 021647.8 dated May 2, 2008.
- Int'l Search Report EP 08 002692.5 dated Dec. 12, 2008.
- Int'l Search Report EP 08 004655.0 dated Jun. 24, 2008.
- Int'l Search Report EP 08 006732.5 dated Jul. 29, 2008.
- Int'l Search Report EP 08 006917.2 dated Jul. 3, 2008.
- Int'l Search Report EP 08 016539.2 dated Jan. 8, 2009.
- Int'l Search Report EP 08 020807.7 dated Apr. 24, 2009.
- Int'l Search Report EP 09 003677.3 dated May 4, 2009.
- Int'l Search Report EP 09 003813.4 dated Aug. 3, 2009.
- Int'l Search Report EP 09 004491.8 dated Sep. 9, 2009.
- Int'l Search Report EP 09 005051.9 dated Jul. 6, 2009.
- Int'l Search Report EP 09 005575.7 dated Sep. 9, 2009.
- Int'l Search Report EP 09 010521.4 dated Dec. 16, 2009.
- Int'l Search Report EP 09 011745.8 dated Jan. 5, 2010.
- Int'l Search Report EP 09 012629.3 dated Dec. 8, 2009.
- Int'l Search Report EP 09 012687.1 dated Dec. 23, 2009.
- Int'l Search Report EP 09 012688.9 dated Dec. 28, 2009.
- Int'l Search Report EP 09 152267.2 dated Jun. 15, 2009.
- Int'l Search Report EP 09 152898.4 dated Jun. 10, 2009.
- Int'l Search Report EP 09 154850.3 dated Jul. 20, 2009.
- Int'l Search Report EP 09 160476.9 dated Aug. 4, 2009.
- Int'l Search Report EP 09 164903.8 dated Aug. 21, 2009.
- Int'l Search Report EP 09 165753.6 dated Nov. 11, 2009.
- Int'l Search Report EP 09 168153.6 dated Jan. 14, 2010.
- Int'l Search Report EP 09 168810.1 dated Feb. 2, 2010.
- Int'l Search Report EP 09 172749.5 dated Dec. 4, 2009.
- Int'l Search Report EP 10 000259.1 dated Jun. 30, 2010.
- Int'l Search Report EP 10 011750.6 dated Feb. 1, 2011.
- Int'l Search Report EP 10 185386.9 dated Jan. 10, 2011.
- Int'l Search Report EP 10 185405.7 dated Jan. 5, 2011.
- Int'l Search Report EP 10 157500.9 dated Jul. 30, 2010.
- Int'l Search Report EP 10 159205.3 dated Jul. 7, 2010.
- Int'l Search Report EP 10 160870.1 dated Aug. 9, 2010.
- Int'l Search Report EP 10 161596.1 dated Jul. 28, 2010.
- Int'l Search Report EP 10 168705.1 dated Oct. 4, 2010.
- Int'l Search Report EP 10 169647.4 dated Oct. 29, 2010.
- Int'l Search Report EP 10 172005.0 dated Sep. 30, 2010.
- Int'l Search Report EP 10 175956.1 dated Nov. 12, 2010.
- Int'l Search Report EP 10 181034.9 dated Jan. 26, 2011.
- Int'l Search Report EP 10 181575.1 dated Apr. 5, 2011.
- Int'l Search Report EP 10 181969.6 dated Feb. 4, 2011.
- Int'l Search Report EP 10 182022.3 dated Mar. 11, 2011.
- Int'l Search Report EP 10 189206.5 dated Mar. 17, 2011.
- Int'l Search Report EP 10 191320.0 dated Feb. 15, 2011.
- Int'l Search Report EP 11 151509.4 dated Jun. 6, 2011.
- Int'l Search Report EP 11 152220.7 dated May 19, 2011.
- Int'l Search Report EP 11 152360.1 dated Jun. 6, 2011.
- Int'l Search Report EP 11 161117.4 dated Jun. 30, 2011.
- Int'l Search Report PCT/US98/18640 dated Jan. 29, 1999.
- Int'l Search Report PCT/US98/23950 dated Jan. 14, 1999.
- Int'l Search Report PCT/US98/24281 dated Feb. 22, 1999.
- Int'l Search Report PCT/US99/24869 dated Feb. 3, 2000.
- Int'l Search Report PCT/US01/11218 dated Aug. 14, 2001.
- Int'l Search Report PCT/US01/11224 dated Nov. 13, 2001.
- Int'l Search Report PCT/US01/11340 dated Aug. 16, 2001.
- Int'l Search Report PCT/US01/11420 dated Oct. 16, 2001.
- Int'l Search Report PCT/US02/01890 dated Jul. 25, 2002.
- Int'l Search Report PCT/US02/11100 dated Jul. 16, 2002.

# US D661,394 S

Page 5

---

Int'l Search Report PCT/US03/08146 dated Aug. 8, 2003.  
Int'l Search Report PCT/US03/18674 dated Sep. 18, 2003.  
Int'l Search Report PCT/US03/18676 dated Sep. 19, 2003.  
Int'l Search Report PCT/US03/28534 dated Dec. 19, 2003.  
Int'l Search Report PCT/US04/03436 dated Mar. 3, 2005.  
Int'l Search Report PCT/US04/13273 dated Dec. 15, 2004.  
Int'l Search Report PCT/US04/15311 dated Jan. 12, 2005.

Int'l Search Report PCT/US07/021438 dated Apr. 1, 2008.  
Int'l Search Report PCT/US07/021440 dated Apr. 8, 2008.  
Int'l Search Report PCT/US08/52460 dated Apr. 24, 2008.  
Int'l Search Report PCT/US08/61498 dated Sep. 22, 2008.  
Int'l Search Report PCT/US09/032690 dated Jun. 16, 2009.

\* cited by examiner

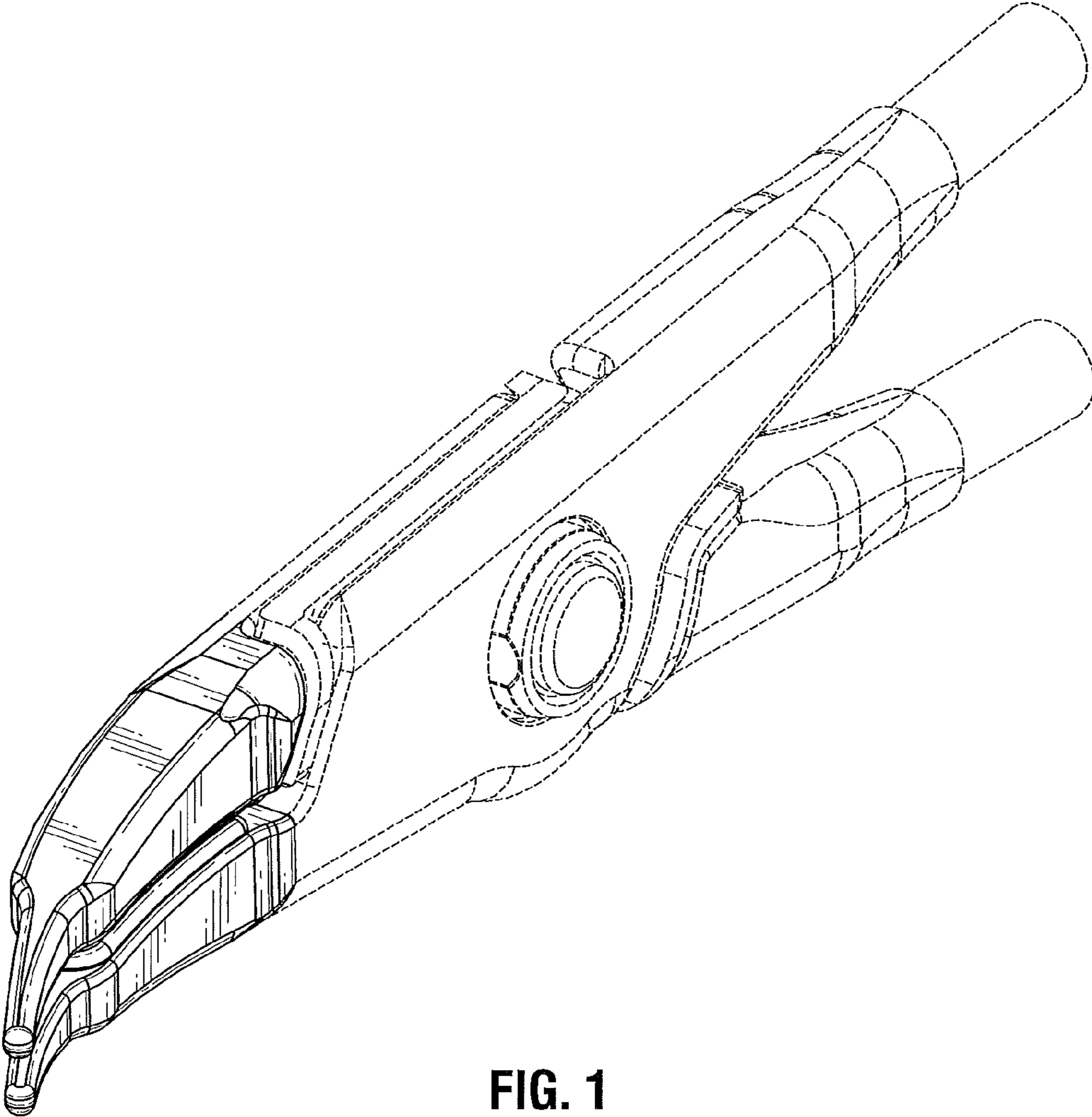


FIG. 1

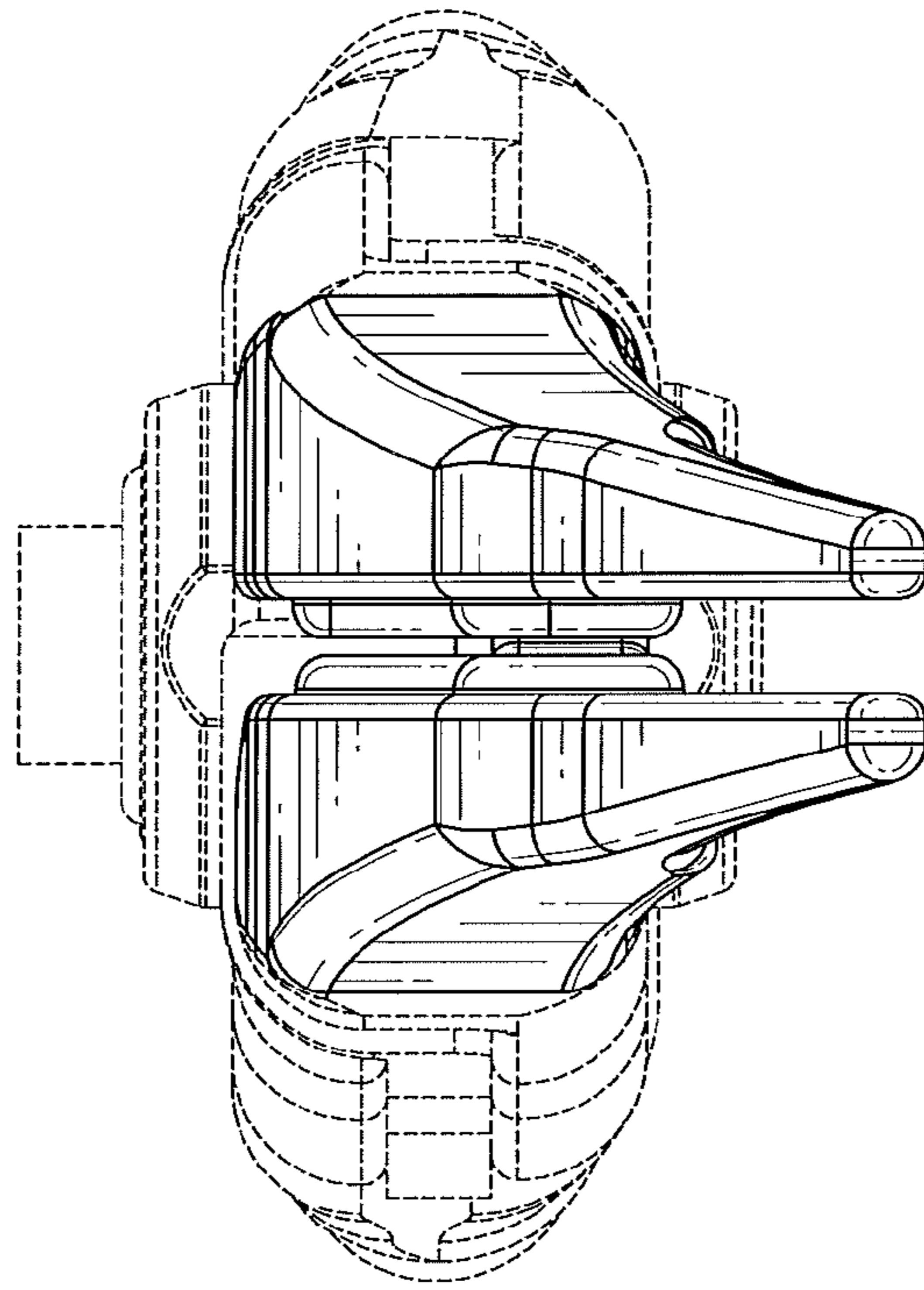


FIG. 2

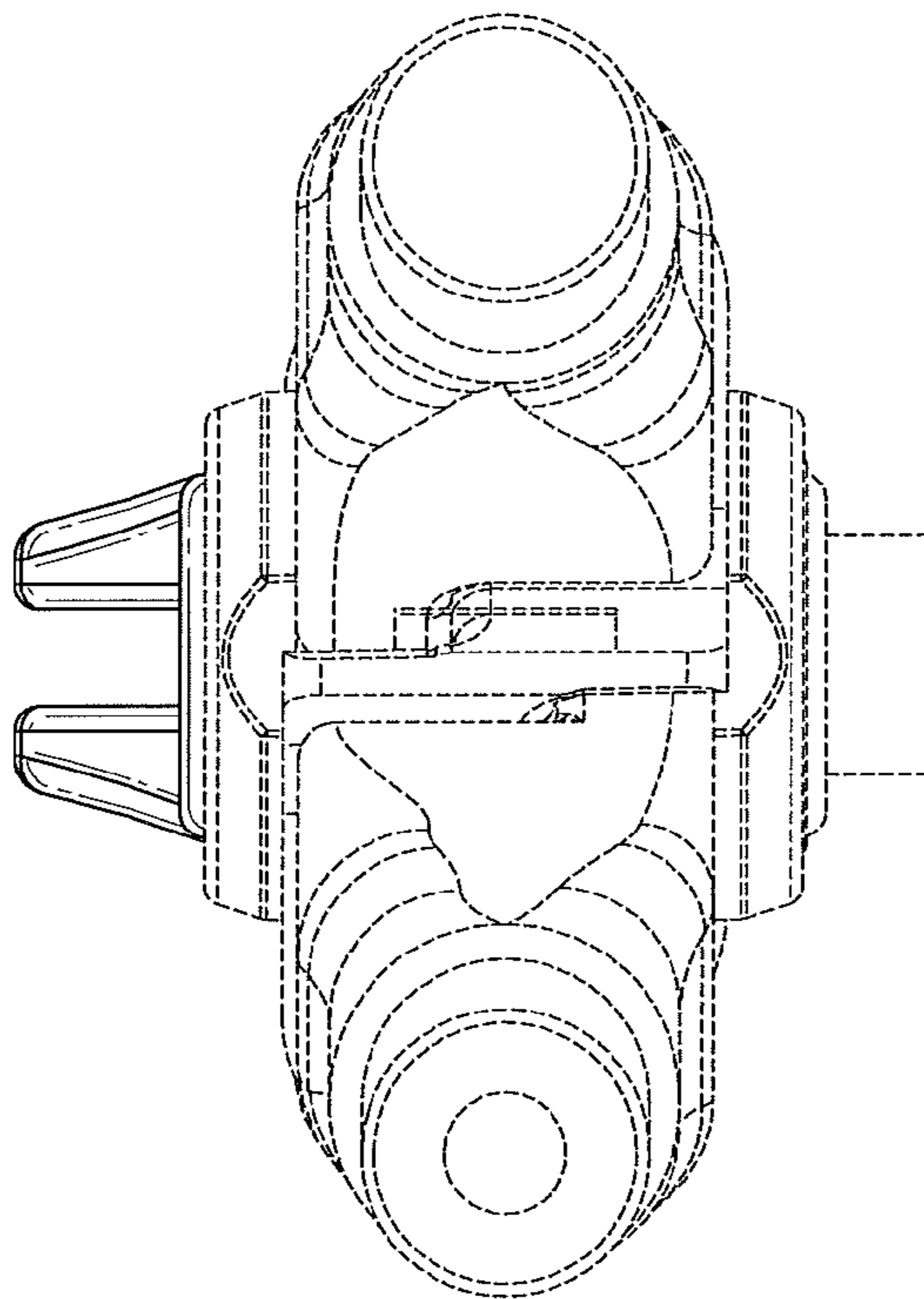


FIG. 3

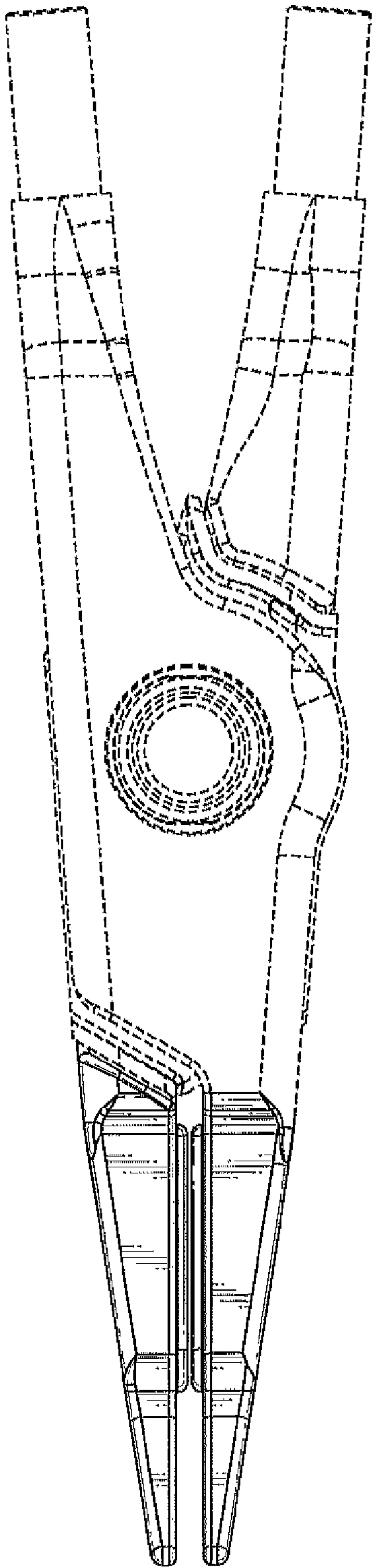


FIG. 4

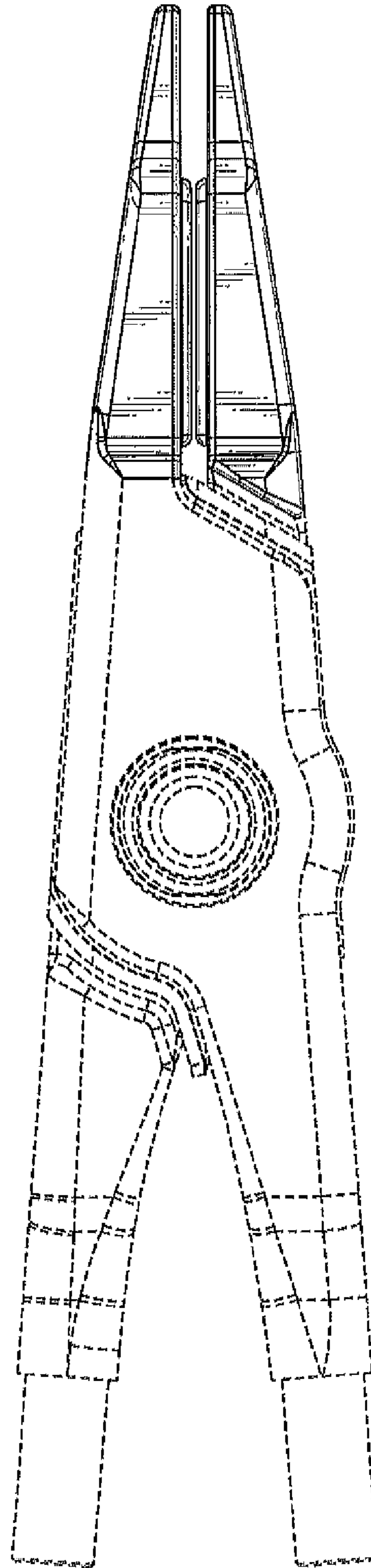


FIG. 5



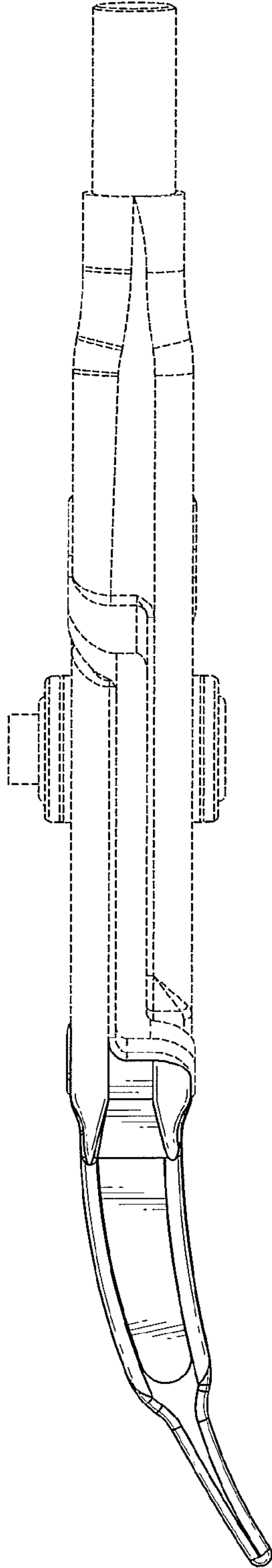


FIG. 6

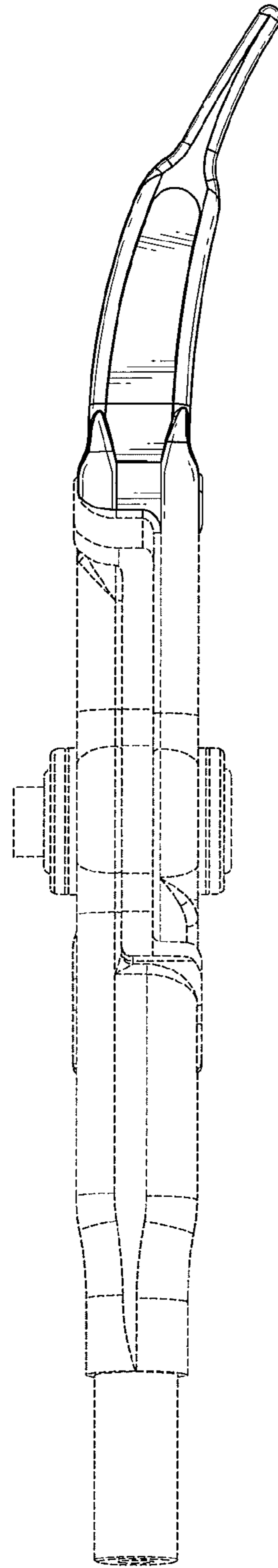


FIG. 7