

US00D661388S

(12) **United States Design Patent**  
**Clark**

(10) **Patent No.:** **US D661,388 S**

(45) **Date of Patent:** **\*\* Jun. 5, 2012**

(54) **CATHETER ADAPTER**

7,571,889 B2 8/2009 Miyahara  
7,974,681 B2 \* 7/2011 Wallace et al. .... 600/424  
2002/0151838 A1 10/2002 Beck et al.

(Continued)

(75) Inventor: **Geoff Clark**, Lempster, NH (US)

(73) Assignee: **Smiths Medical ASD, Inc.**, Keene, NH (US)

*Primary Examiner* — T. Chase Nelson

*Assistant Examiner* — Eric Goodman

(\*\*) Term: **14 Years**

(74) *Attorney, Agent, or Firm* — Louis Woo

(21) Appl. No.: **29/347,526**

(57) **CLAIM**

The ornamental design for a catheter adapter, as shown and described.

(22) Filed: **Feb. 23, 2010**

**DESCRIPTION**

(51) **LOC (9) Cl.** ..... **24-02**

(52) **U.S. Cl.** ..... **D24/130**

(58) **Field of Classification Search** ..... D24/133,  
D24/112, 138, 144, 108, 222, 130, 128-129;  
604/95.04, 528; 600/374, 381, 463, 466  
See application file for complete search history.

FIG. 1 is a perspective view of the outer surfaces of the catheter adapter in an open configuration showing my new design;

FIG. 2 is a perspective view of the inner surfaces of the catheter adapter of FIG. 1 in an open configuration;

FIG. 3 is a perspective view of the catheter adapter of FIG. 1 in a closed configuration;

FIG. 4 is a perspective view of the catheter adapter of FIG. 1 in a closed configuration;

FIG. 5 is a plan view of the catheter adapter of FIG. 1 in a closed configuration;

FIG. 6 is a second plan view of the catheter adapter of FIG. 1 in a closed configuration;

FIG. 7 is a side view of the catheter adapter of FIG. 1 in a closed configuration, the broken line showing the catheter adapter is to illustrate portions of the article and form no part of the claimed design;

FIG. 8 is the other side view of the catheter adapter of FIG. 1 in a closed configuration, the broken line showing the catheter adapter is to illustrate portions of the article and form no part of the claimed design;

FIG. 9 is a perspective view of the inner surfaces of the catheter adapter of FIG. 1; and,

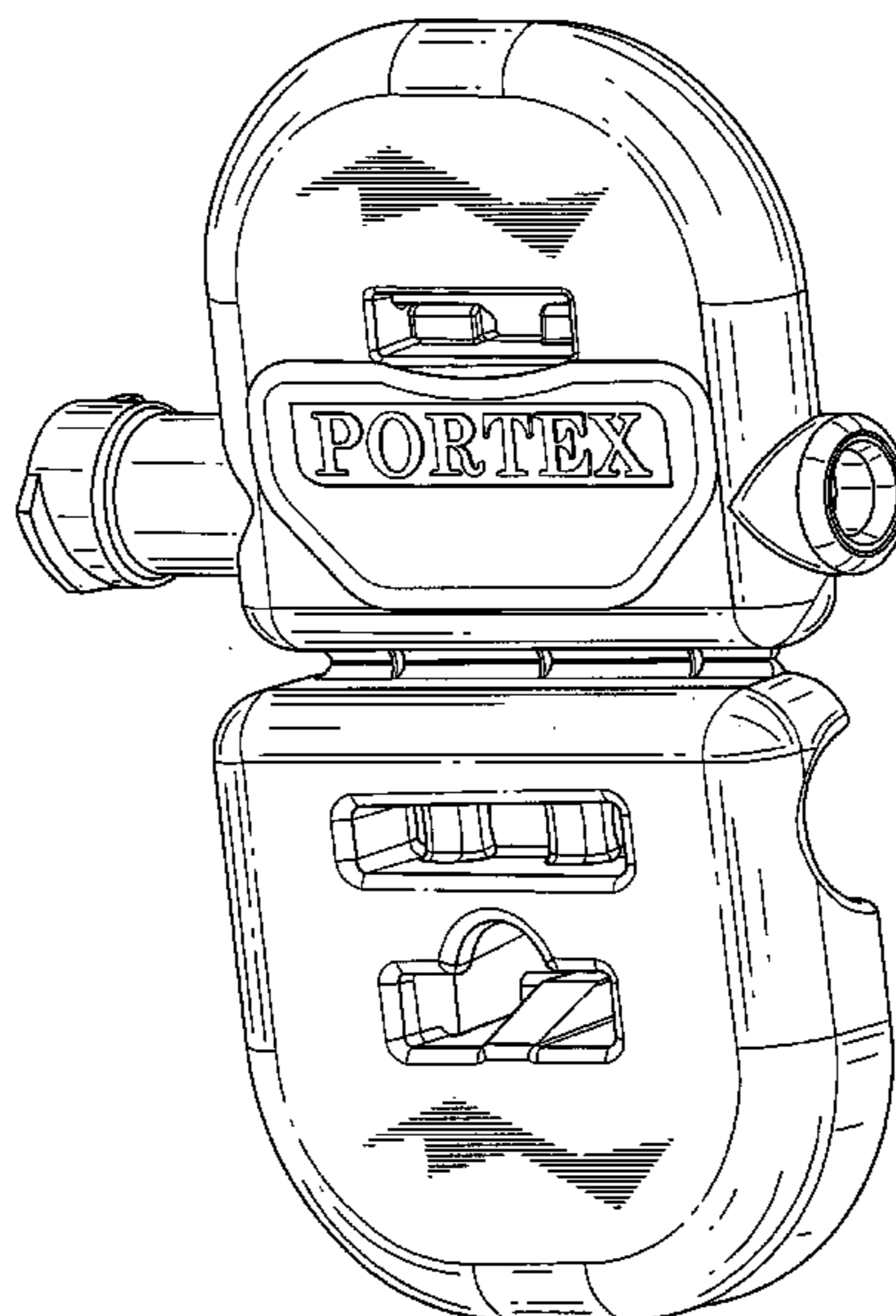
FIG. 10 is a perspective view of the outer surfaces of the catheter adapter of FIG. 1.

(56) **References Cited**

U.S. PATENT DOCUMENTS

4,723,948	A	2/1988	Clark et al.	
4,950,255	A	8/1990	Brown et al.	
5,053,015	A	10/1991	Gross et al.	
D327,320	S *	6/1992	Bryant	..... D24/130
5,127,626	A	7/1992	Hilal et al.	
5,211,637	A	5/1993	Goto et al.	
D343,898	S *	2/1994	Bryant et al.	..... D24/112
5,312,337	A	5/1994	Flaherty et al.	
5,405,339	A	4/1995	Kohnen et al.	
5,702,371	A	12/1997	Bierman	
6,099,519	A	8/2000	Olsen et al.	
6,217,564	B1	4/2001	Peters et al.	
6,254,589	B1	7/2001	Raoz	
6,261,246	B1 *	7/2001	Pantages et al.	..... 600/585
6,350,260	B1	2/2002	Goebel et al.	
6,524,304	B1	2/2003	Picou et al.	
D475,458	S *	6/2003	Denolly	..... D24/133
6,676,652	B2	1/2004	Mogg	
7,044,936	B2	5/2006	Harding	
7,344,527	B2	3/2008	Schweikert et al.	
7,481,796	B2	1/2009	Nishtala et al.	

**1 Claim, 10 Drawing Sheets**



# US D661,388 S

Page 2

---

## U.S. PATENT DOCUMENTS

2004/0162544	A1	8/2004	Raulerson et al.	2008/0294146	A1	11/2008	Charlez	
2005/0209581	A1	9/2005	Butts et al.	2009/0187165	A1	7/2009	Kaern	
2006/0015086	A1	1/2006	Rasmussen et al.	2009/0204105	A1	8/2009	Johansson et al.	
2006/0271000	A1	11/2006	Randelletta et al.	2009/0270842	A1	10/2009	Blocher et al.	
2007/0088329	A1	4/2007	Bierman	2009/0292273	A1	11/2009	Racz et al.	
2007/0225683	A1	9/2007	Raulerson et al.	2010/0280449	A1*	11/2010	Alvarez et al.	..... 604/95.04
2008/0183154	A1	7/2008	Racz et al.					

\* cited by examiner

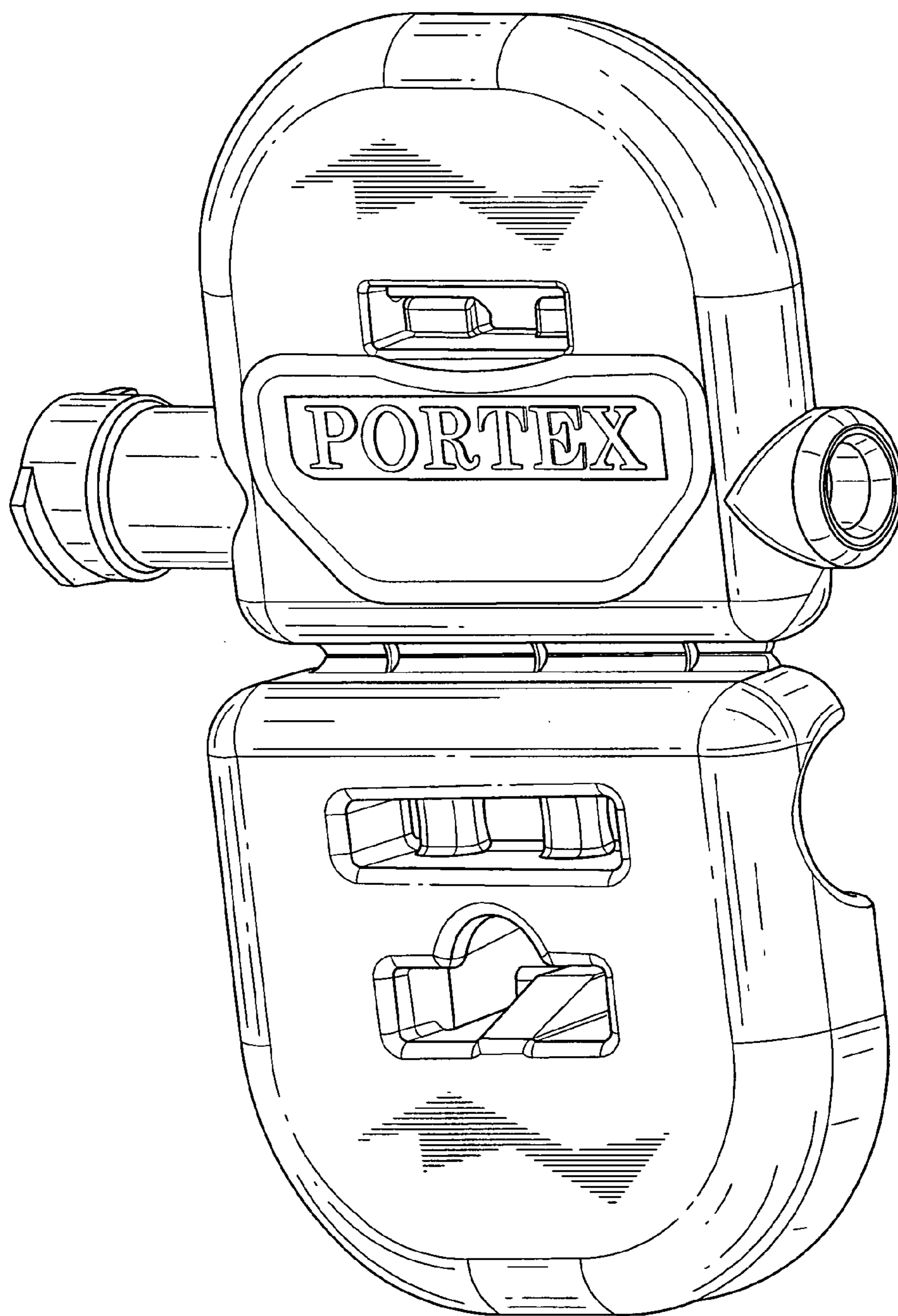


FIG. 1

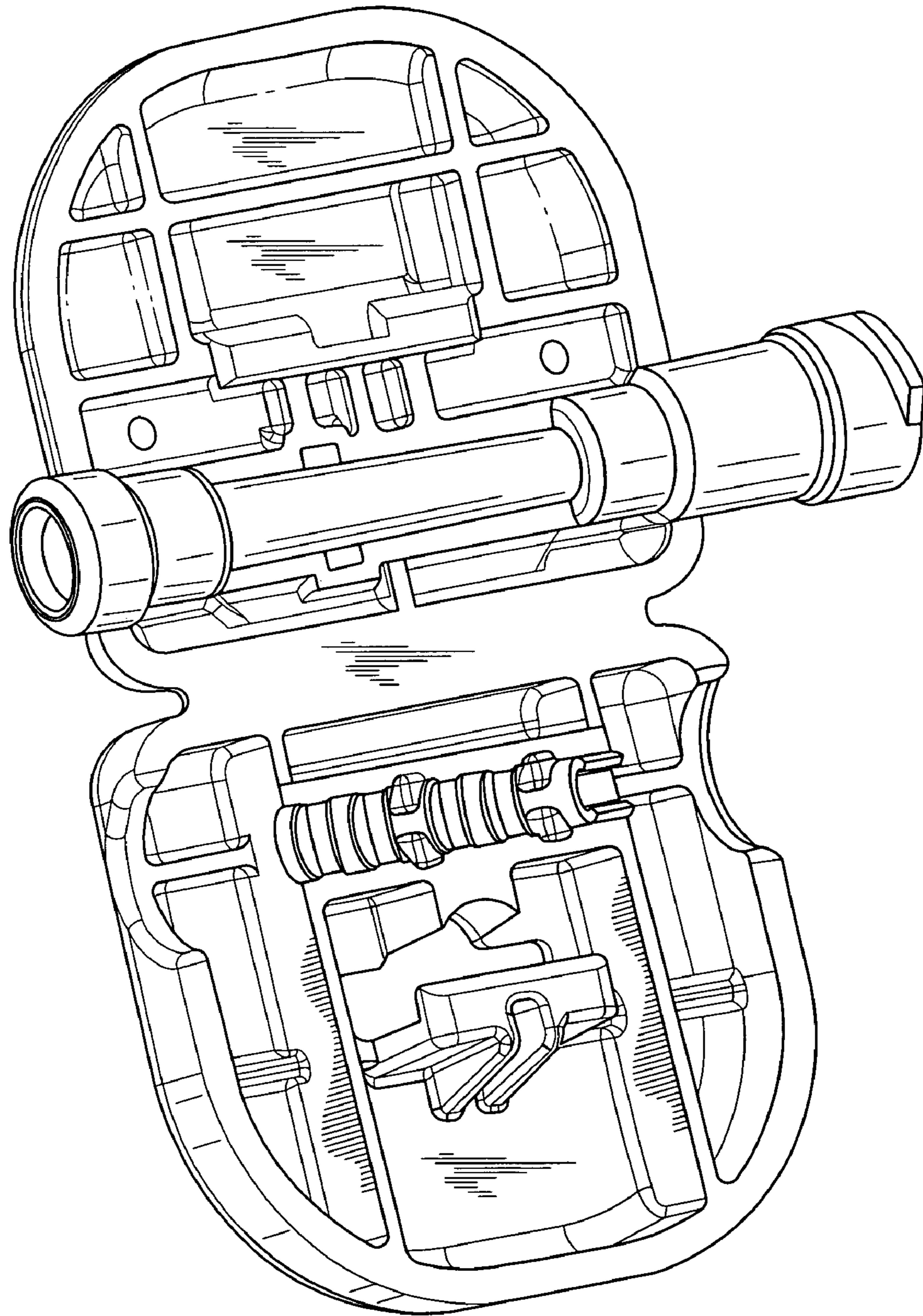


FIG. 2



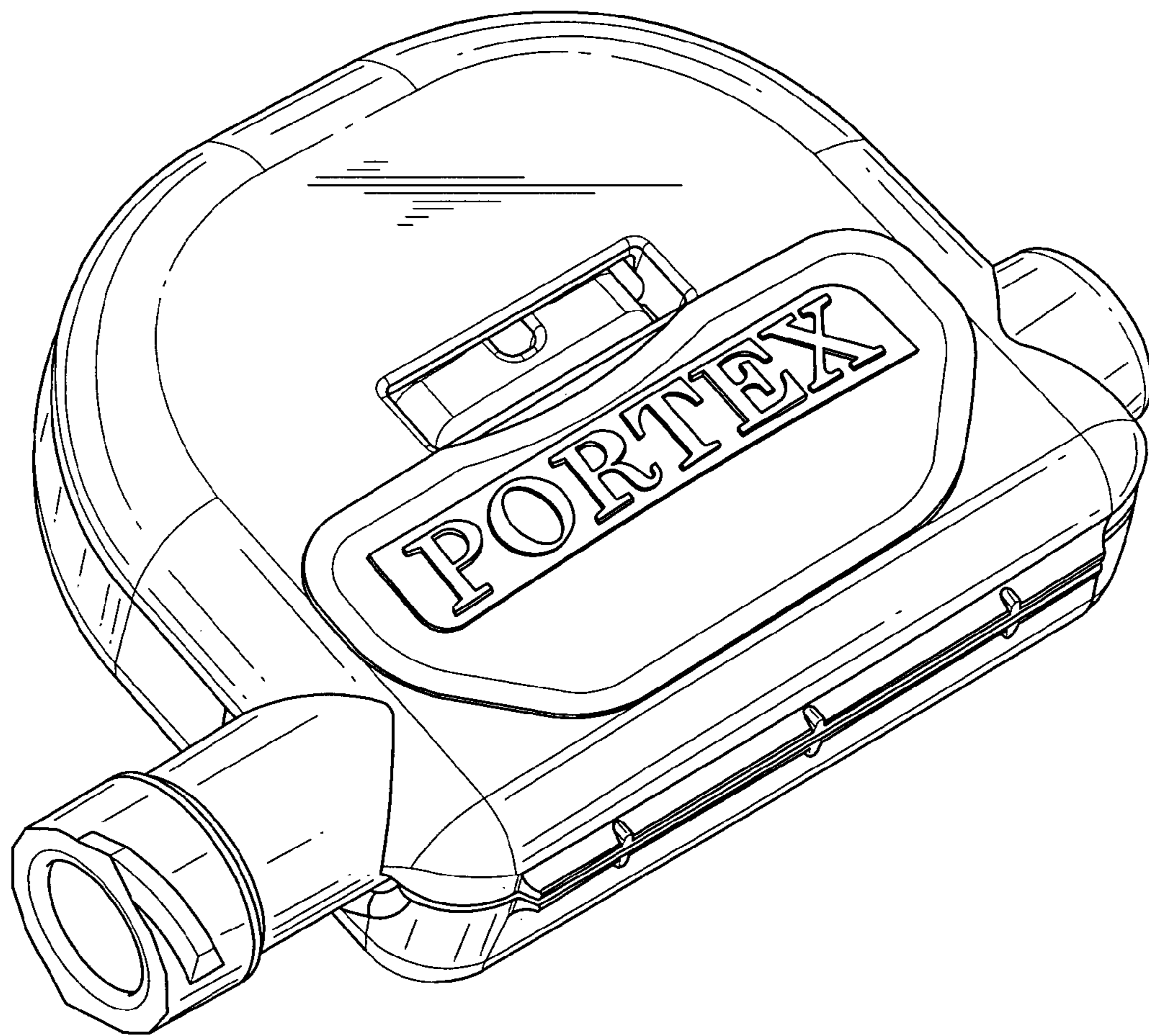


FIG. 3

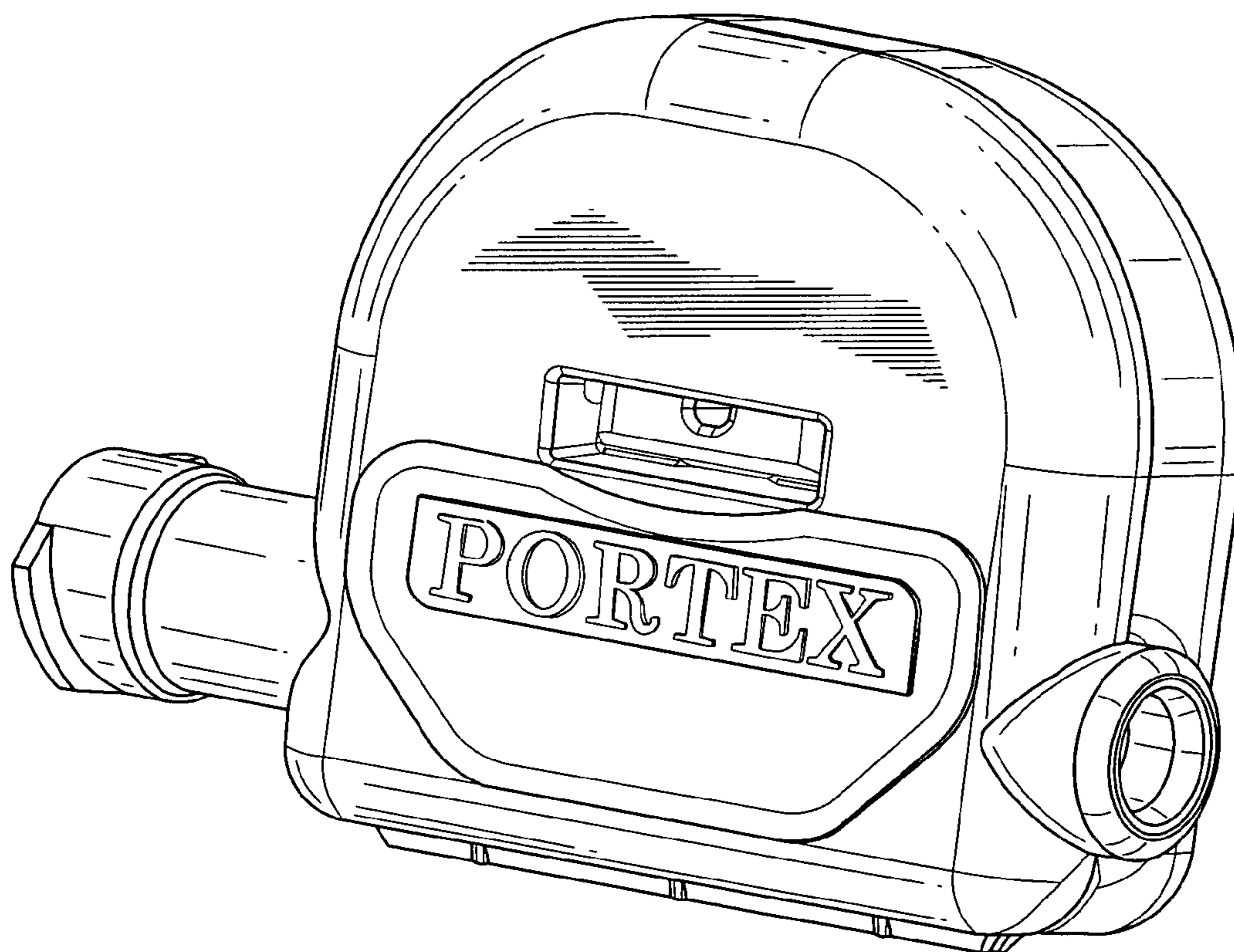


FIG. 4

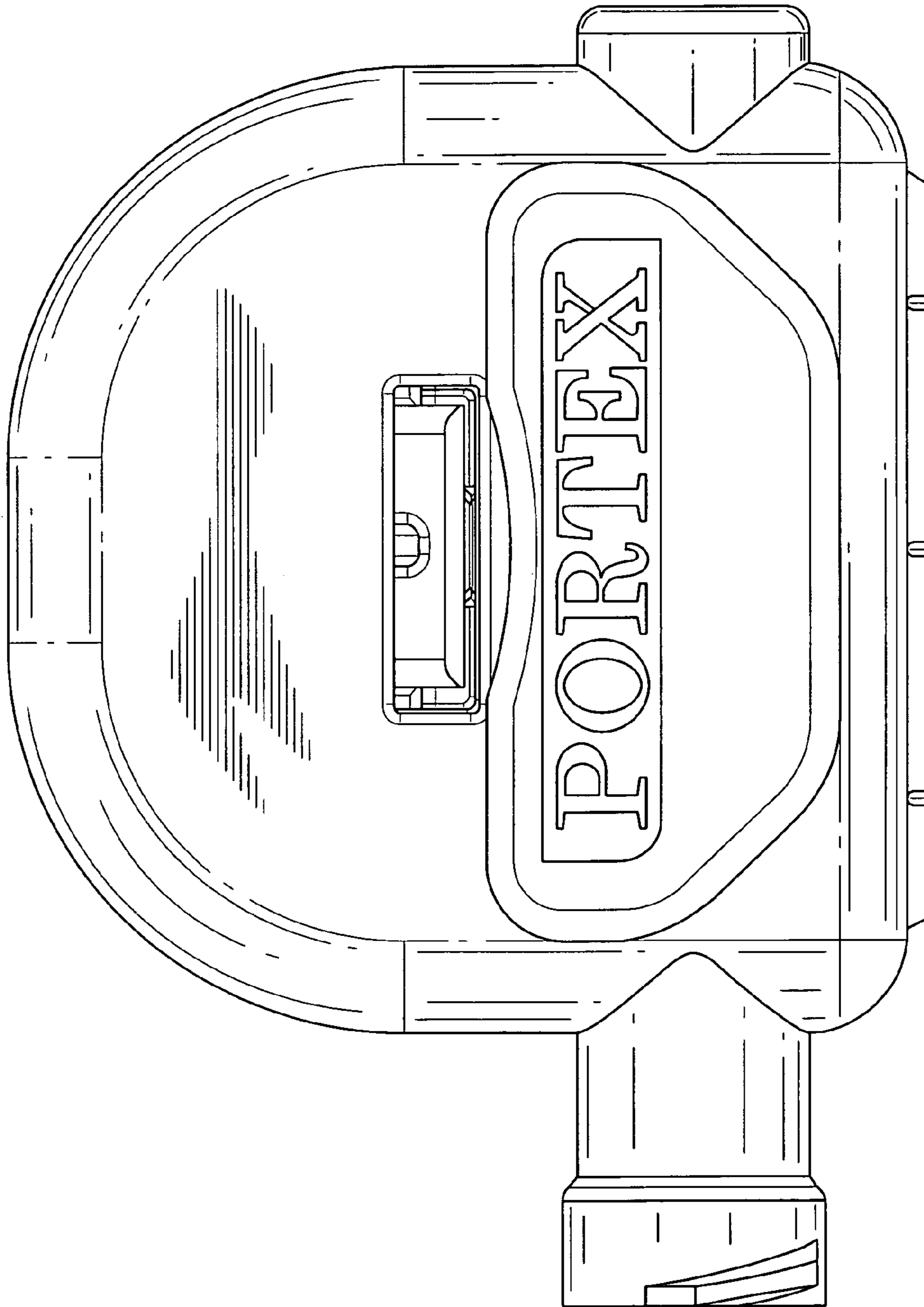


FIG. 5

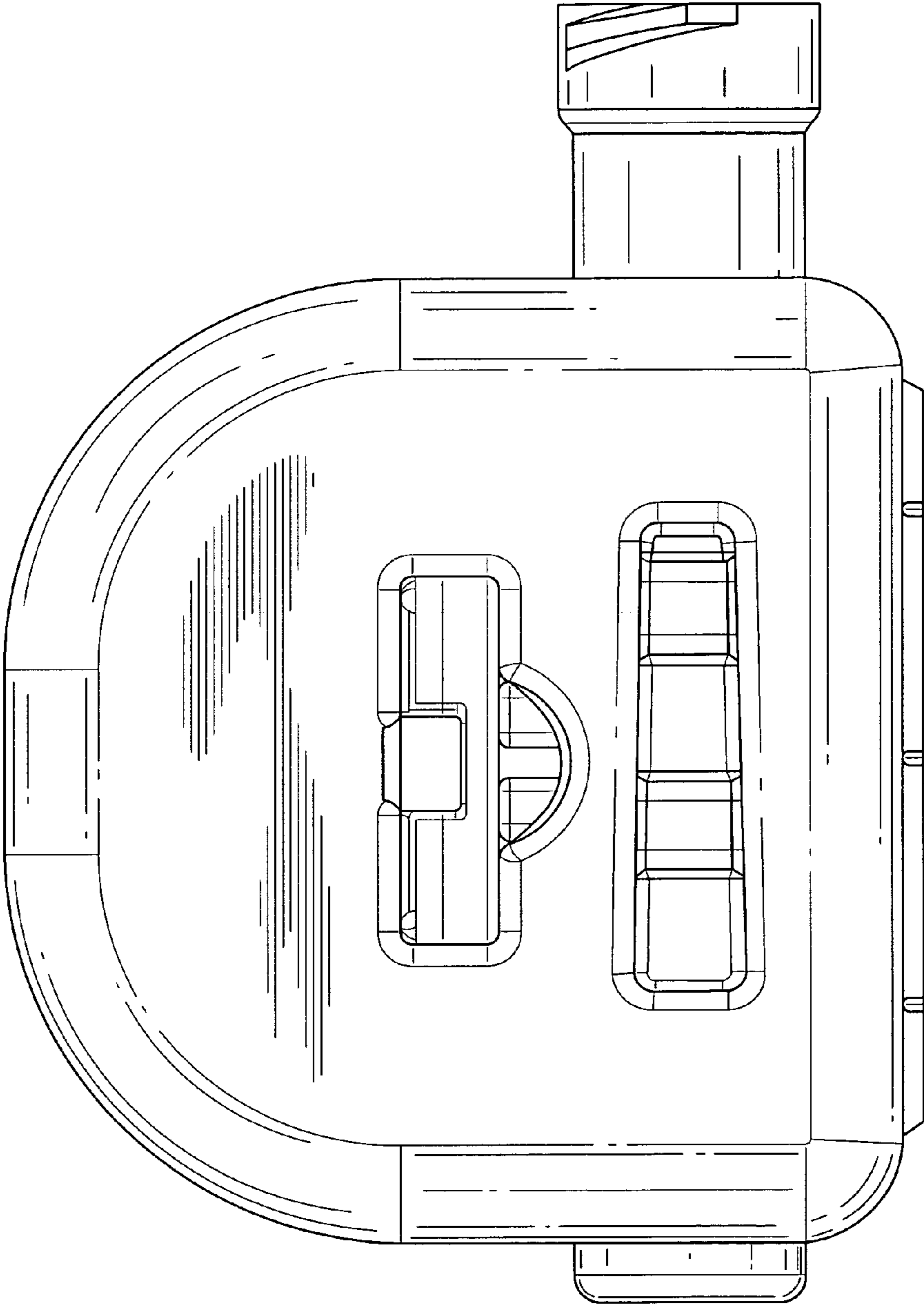


FIG. 6



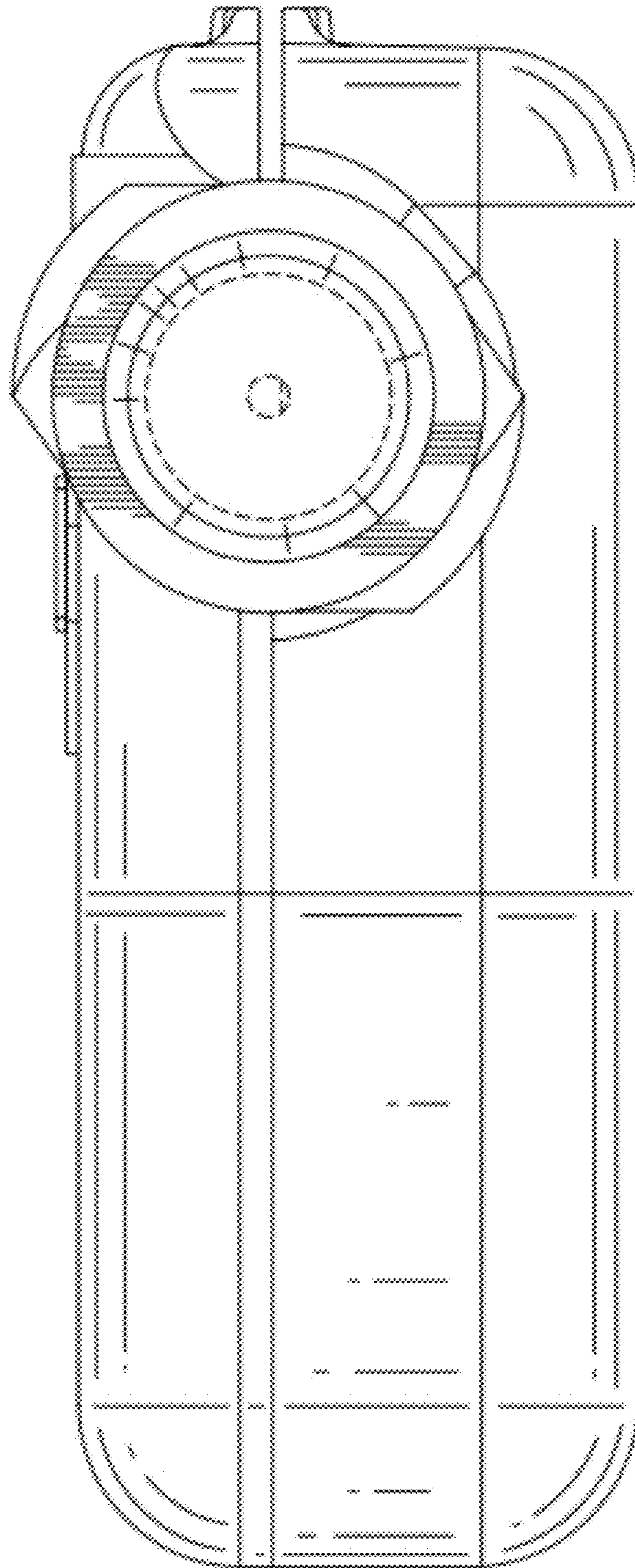


FIG. 7

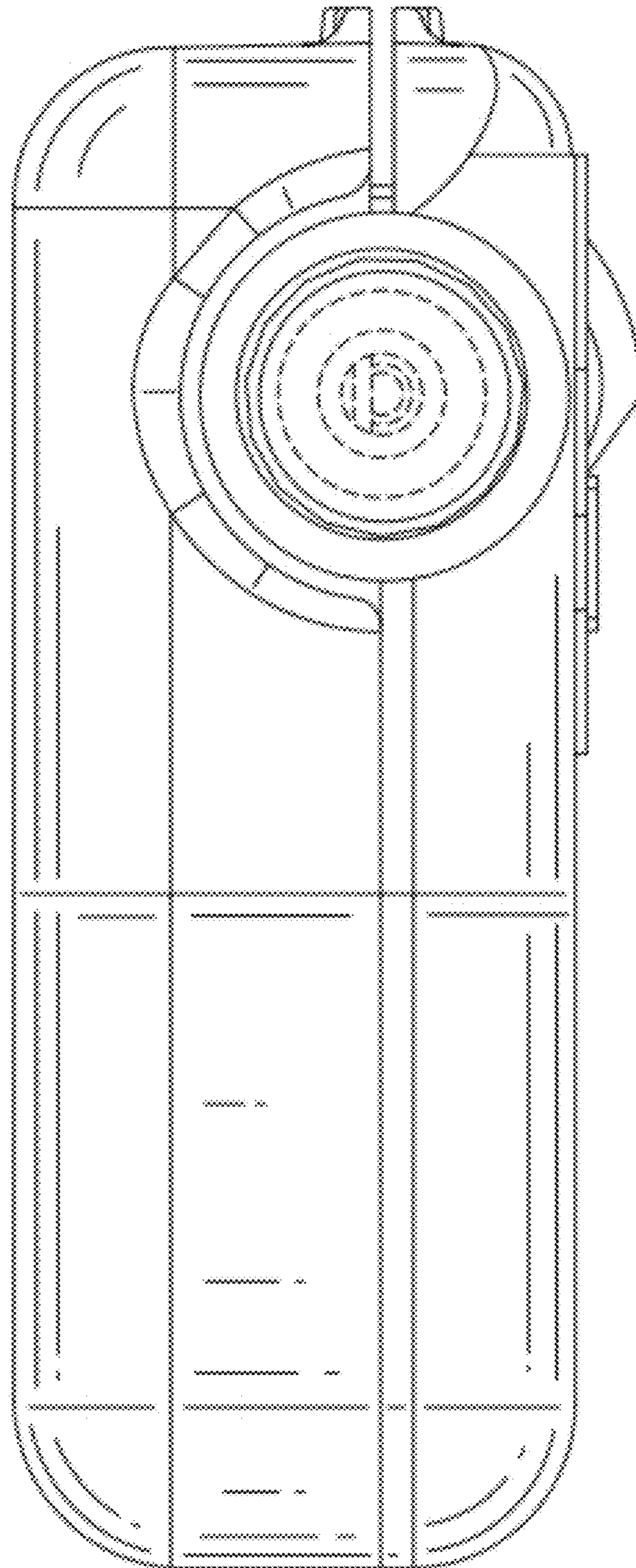
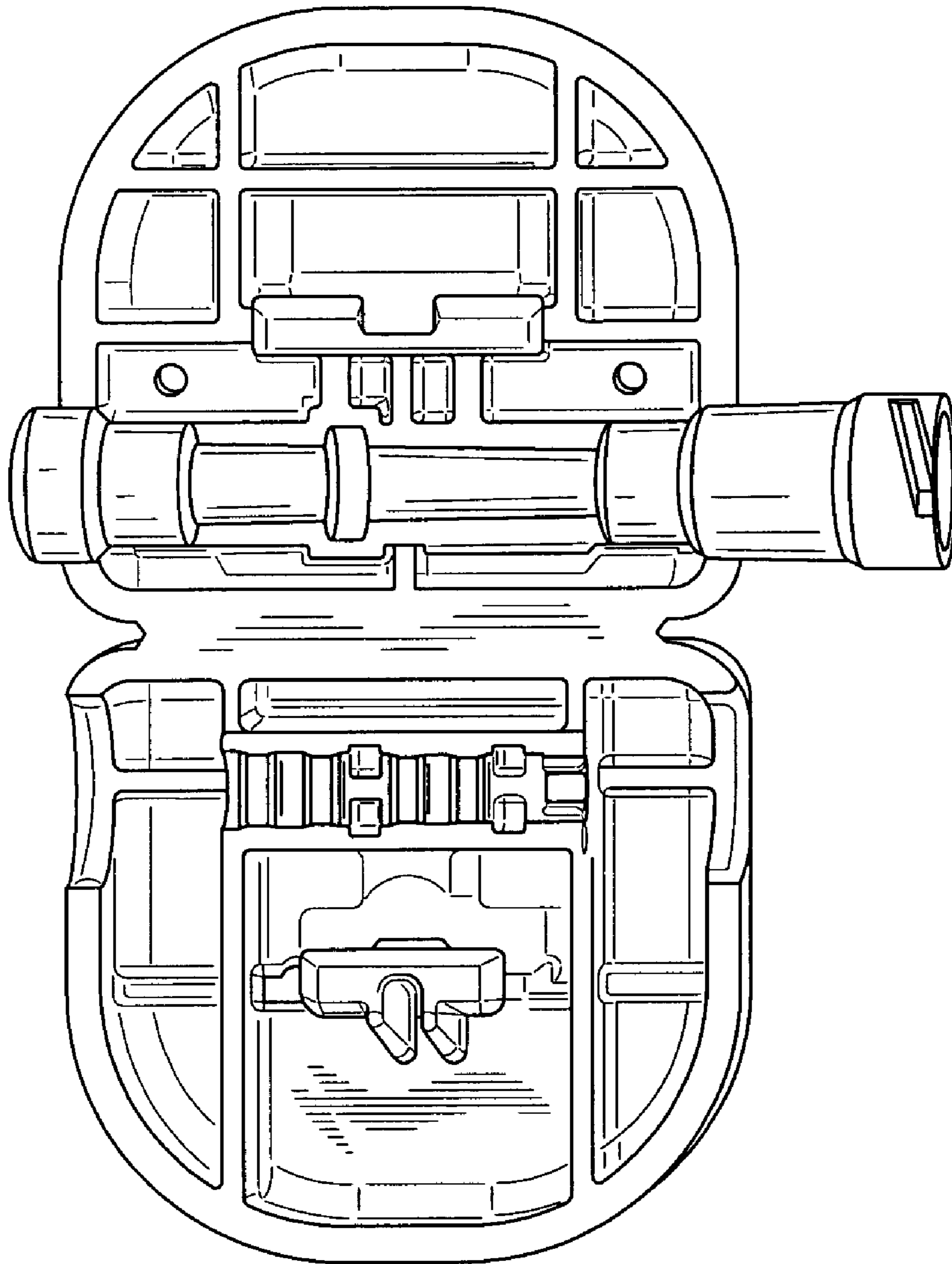
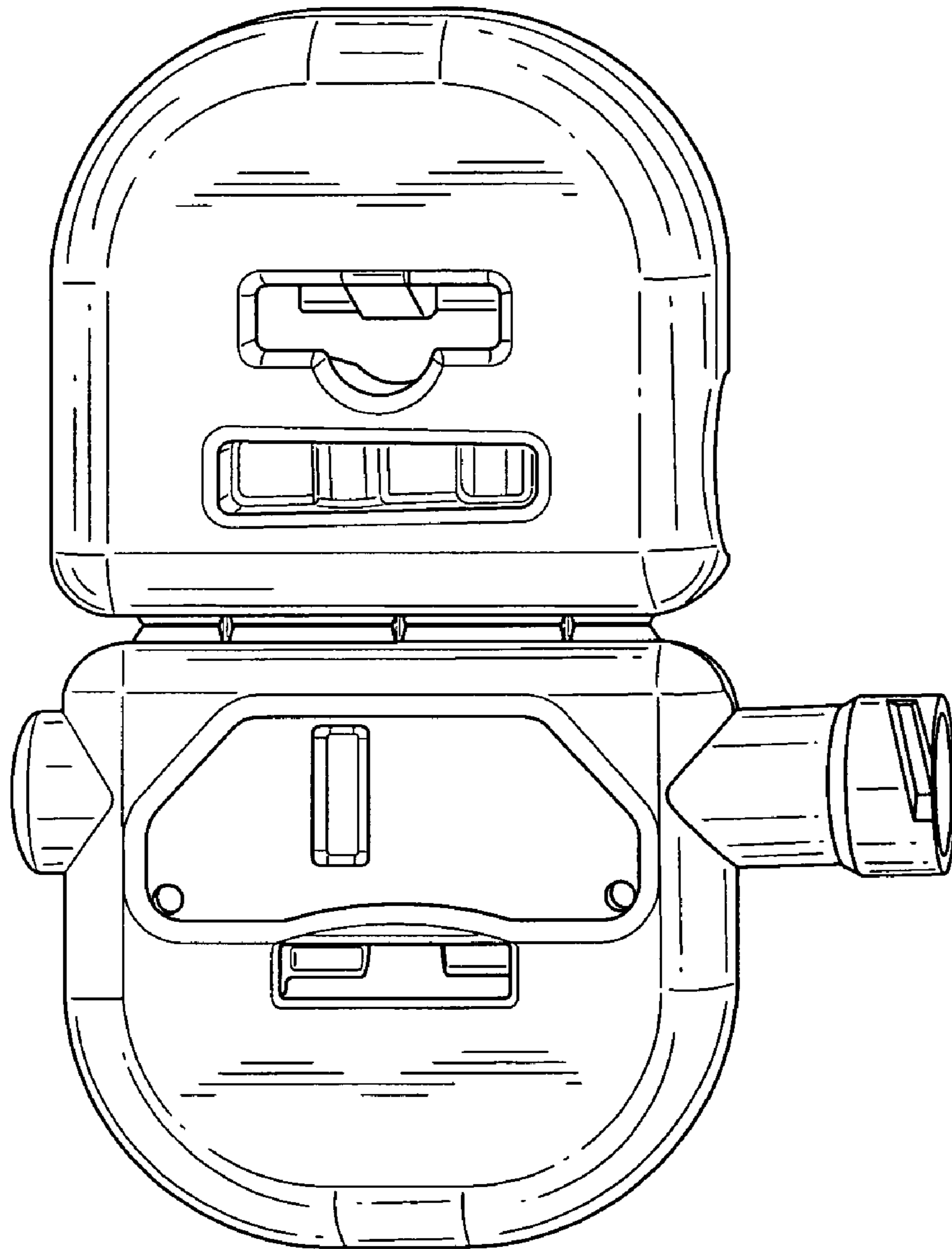


FIG. 8



**FIG. 9**



**FIG. 10**