



US00D661385S

(12) **United States Design Patent**
Fuerling et al.

(10) **Patent No.:** **US D661,385 S**
(45) **Date of Patent:** **** Jun. 5, 2012**

(54) **AIR HEATER**

(74) *Attorney, Agent, or Firm* — Bachman & LaPointe, P.C.

(75) Inventors: **Andreas Fuerling**, Kerns (CH); **Leo Wallimann**, Alpnachstad (CH)

(73) Assignee: **Leister Technologies AG**, Kaegiswil (CH)

(57) **CLAIM**
We claim, the ornamental design for an air heater, as shown.

(**) Term: **14 Years**

DESCRIPTION

(21) Appl. No.: **29/381,347**

(22) Filed: **Dec. 17, 2010**

(30) **Foreign Application Priority Data**

Oct. 18, 2010 (EM) 001769621

(51) **LOC (9) Cl.** **23-03**

(52) **U.S. Cl.** **D23/317; D23/314**

(58) **Field of Classification Search** D23/317,
D23/314, 332, 333, 334, 335, 337, 342, 351,
D23/355, 378, 370, 381, 364, 336, 341, 330;
416/244 R, 247 R, 53.1–53.3; 392/365, 367

See application file for complete search history.

(56) **References Cited**

U.S. PATENT DOCUMENTS

D105,999	S	*	9/1937	Morgan	D23/416
D130,843	S	*	12/1941	Hagan	D23/321
D165,307	S	*	11/1951	Sharp	D23/317
D202,009	S	*	8/1965	Schofield et al.	D23/317
4,532,914	A	*	8/1985	Thomas et al.	126/110 C
5,111,527	A	*	5/1992	Arold et al.	392/360
D340,765	S	*	10/1993	Joss et al.	D23/336

(Continued)

Primary Examiner — T. Chase Nelson

Assistant Examiner — Ania Aman

FIG. 1 is a front view showing the ornamental design of a first embodiment of an air heater according to the present invention;

FIG. 2 is a top view of the air heater of FIG. 1;

FIG. 3 is a bottom view of the air heater of FIG. 1;

FIG. 4 is a back view of the air heater of FIG. 1;

FIG. 5 is a perspective view of the air heater of FIG. 1;

FIG. 6 is a reverse perspective view of the air heater of FIG. 1;

FIG. 7 is a front view showing the ornamental design of a second embodiment of an air heater according to the present invention;

FIG. 8 is a top view of the air heater of FIG. 7;

FIG. 9 is a bottom view of the air heater of FIG. 7;

FIG. 10 is a back view of the air heater of FIG. 7;

FIG. 11 is a perspective view of the air heater of FIG. 7;

FIG. 12 is a reverse perspective view of the air heater of FIG. 7;

FIG. 13 is a front view showing the ornamental design of a third embodiment of an air heater according to the present invention;

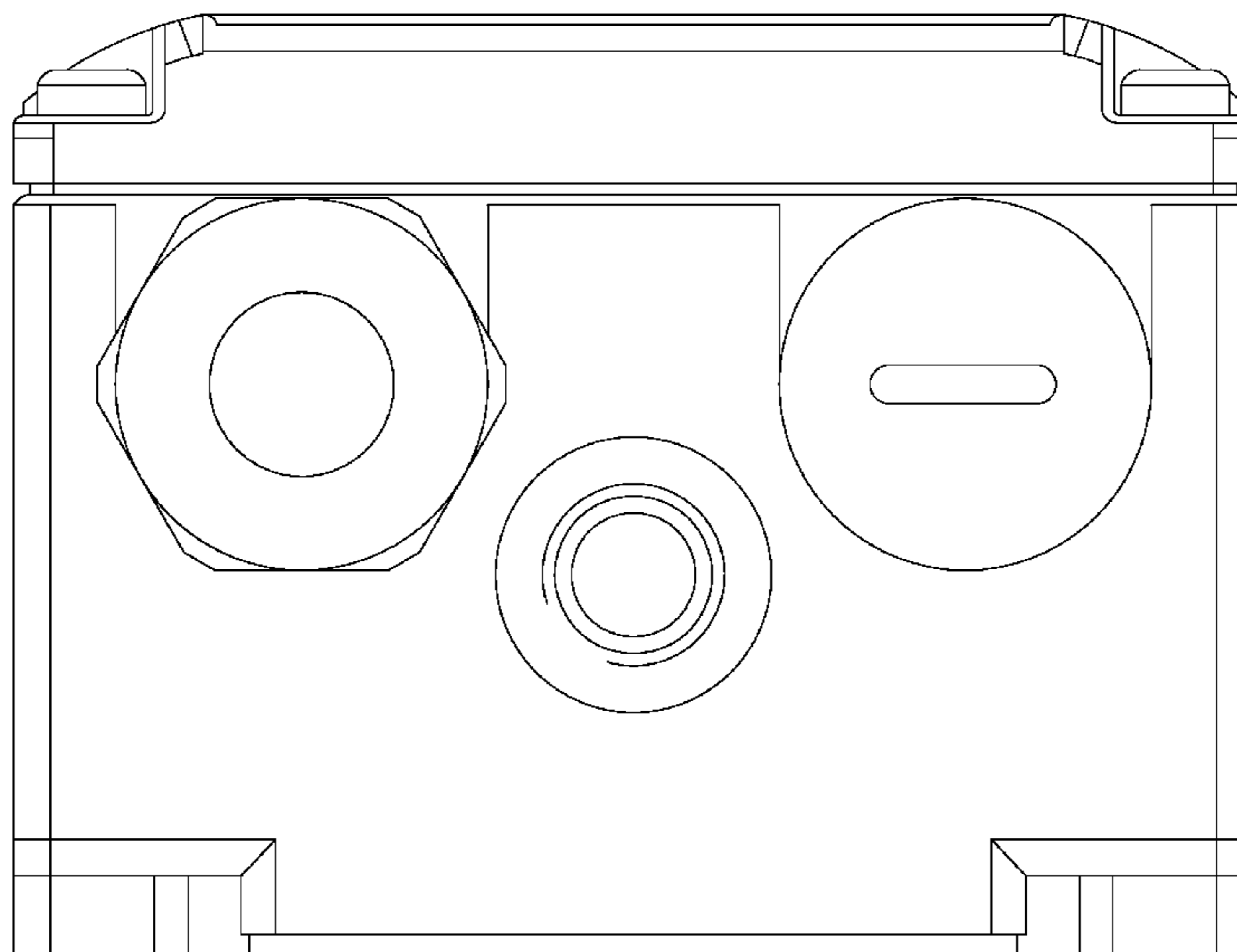
FIG. 14 is a top view of the air heater of FIG. 13;

FIG. 15 is a bottom view of the air heater of FIG. 13;

FIG. 16 is a back view of the air heater of FIG. 13;

FIG. 17 is a perspective view of the air heater of FIG. 13; and, FIG. 18 is a reverse perspective view of the air heater of FIG. 13.

1 Claim, 18 Drawing Sheets



US D661,385 S

Page 2

U.S. PATENT DOCUMENTS

D341,417	S *	11/1993	Wortham	D23/336				
D347,683	S *	6/1994	Chiu et al.	D23/336				
D421,296	S *	2/2000	Kemp	D23/314				
6,152,128	A *	11/2000	Willey et al.	126/110 B				
D447,795	S *	9/2001	Hudson	D23/327				
6,880,549	B2 *	4/2005	Topp	126/110 B				
7,123,822	B2 *	10/2006	Gisler-Reinhard et al.	...	392/379				
						D541,916	S *	5/2007	Noyer et al. D23/314
						D573,703	S *	7/2008	Gosselin et al. D23/335
						D598,526	S *	8/2009	Pitchford et al. D23/317
						D604,399	S *	11/2009	Aregger et al. D23/317
						D617,434	S *	6/2010	Aregger et al. D23/317
						2006/0068622	A1 *	3/2006	Gisler-Reinhard et al. ... 439/108

* cited by examiner

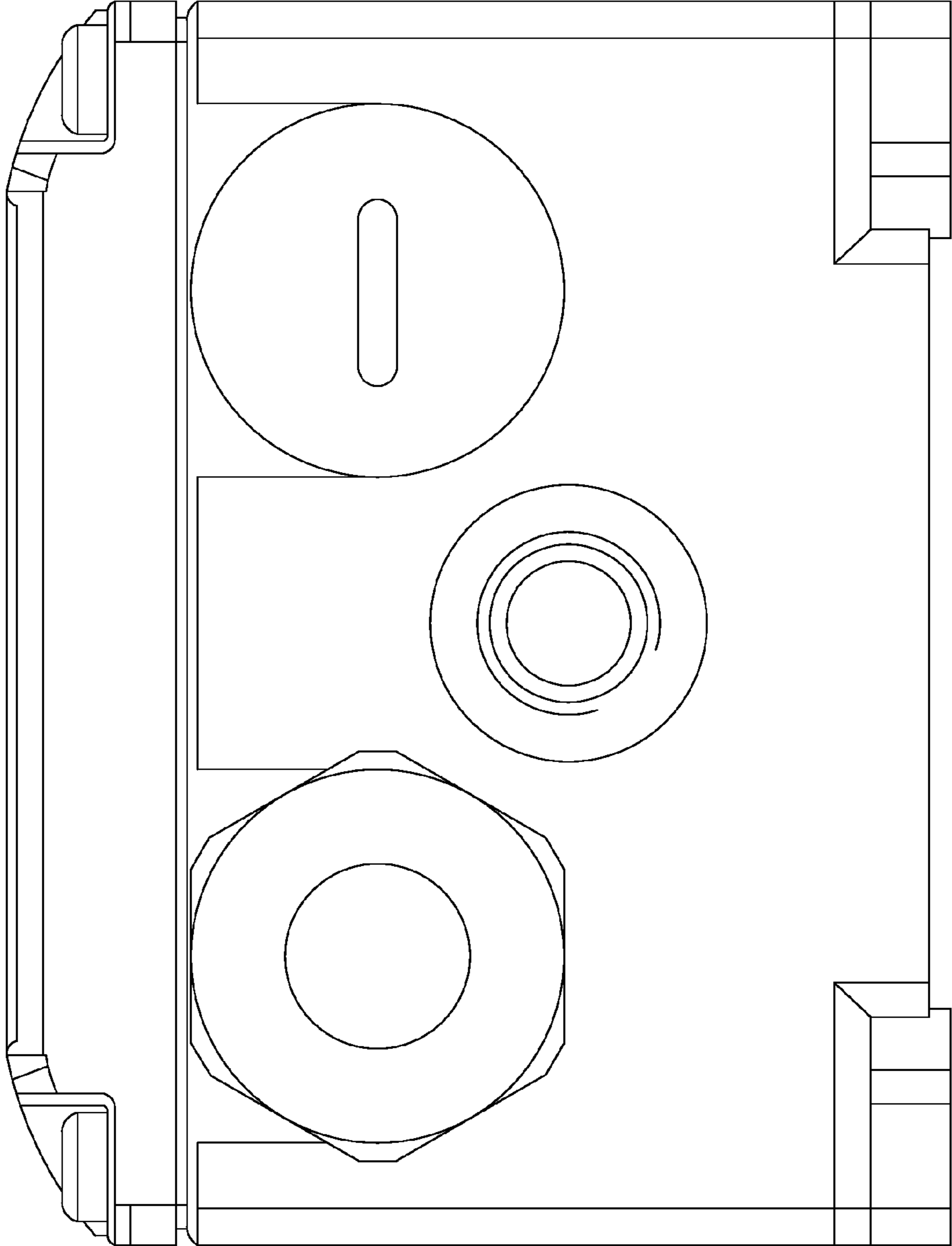


FIG. 1

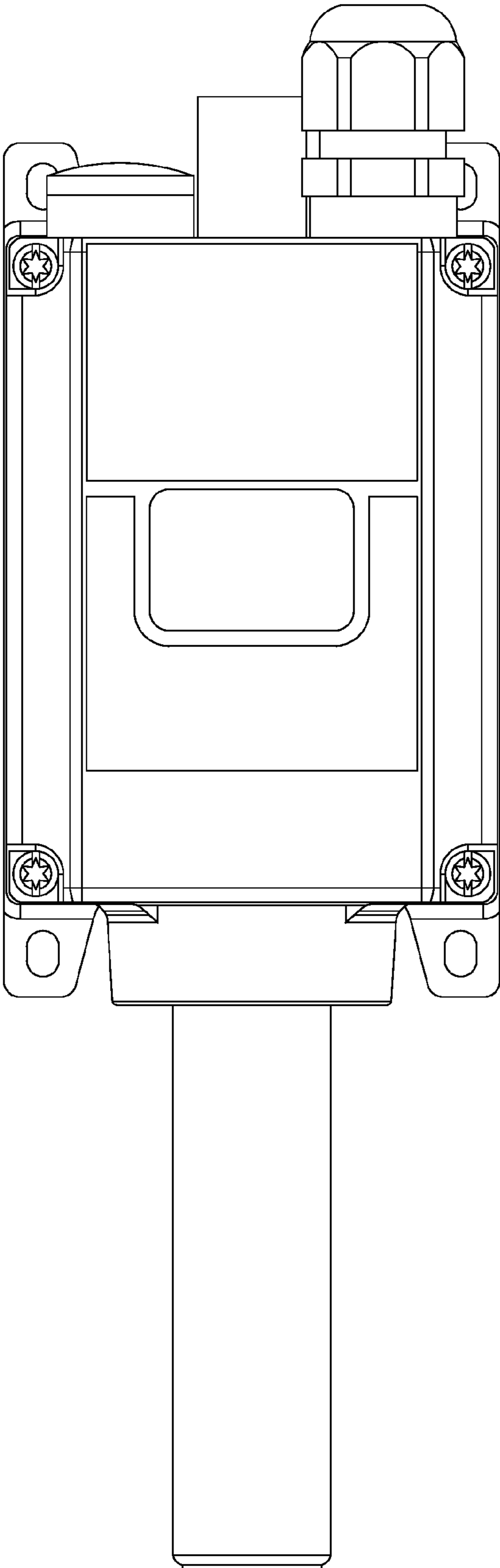


FIG. 2

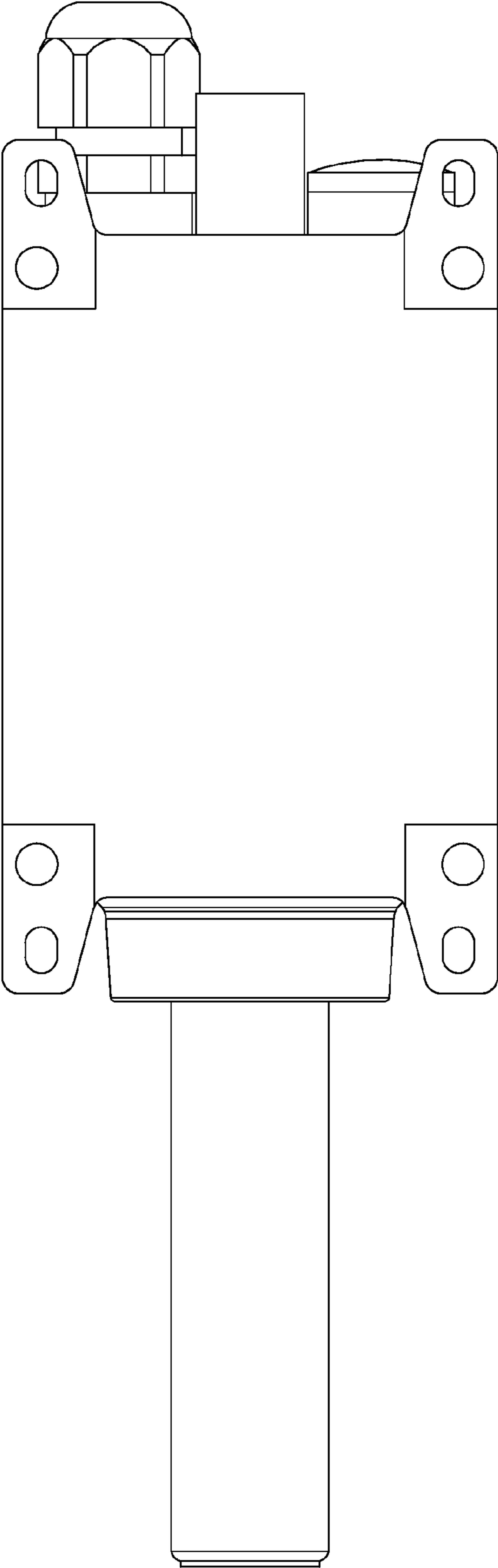


FIG. 3

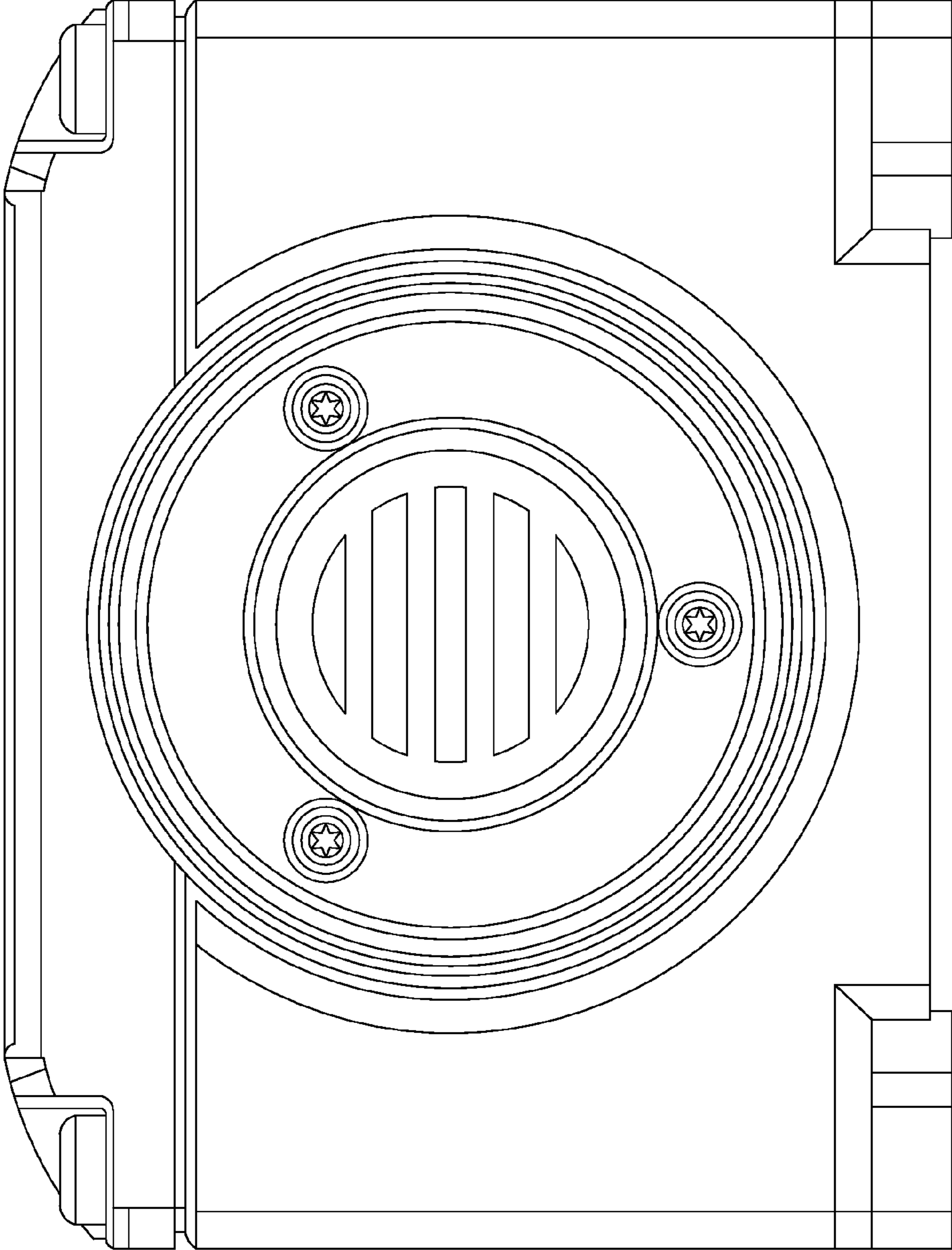


FIG. 4

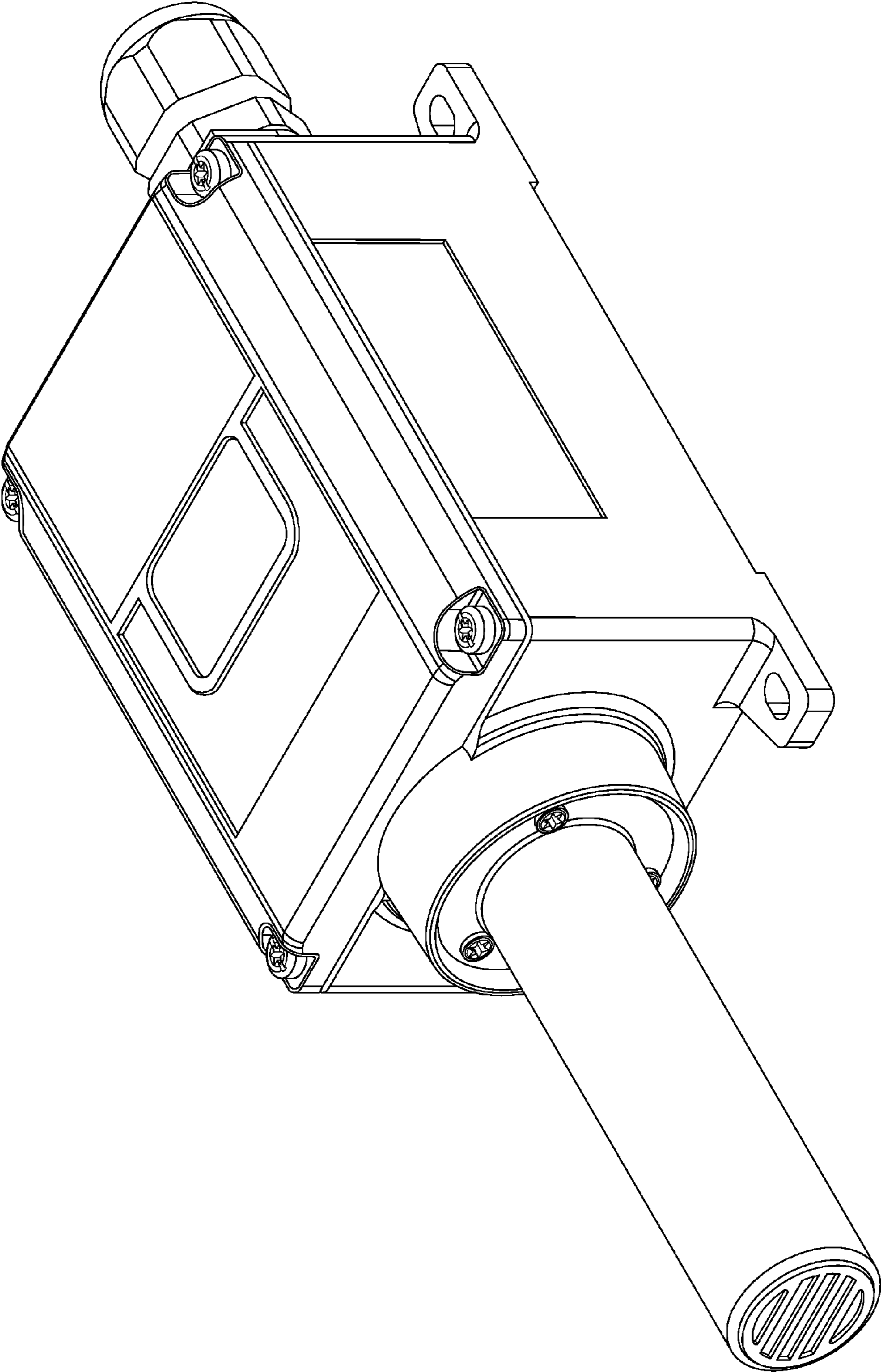


FIG. 5

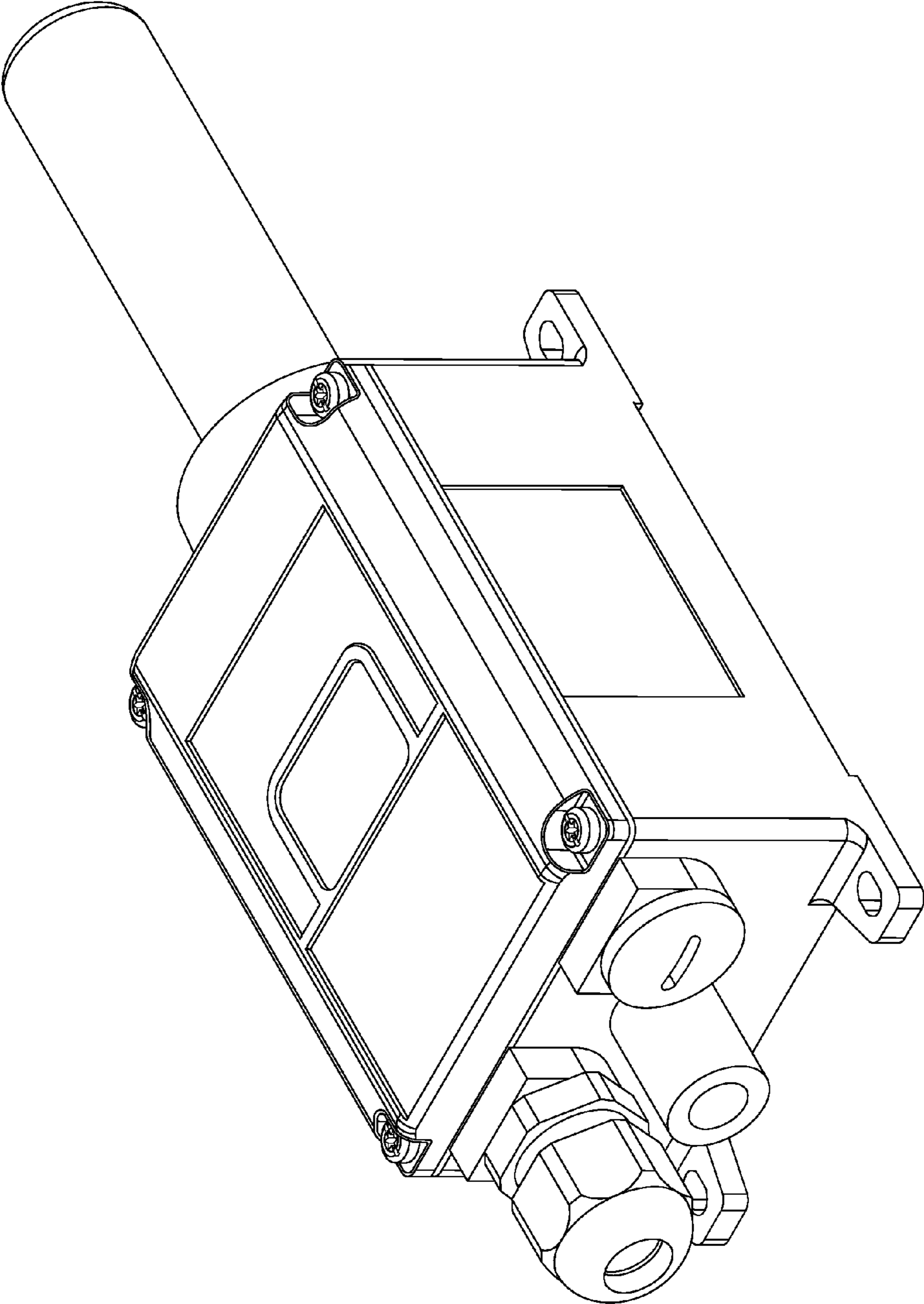


FIG. 6

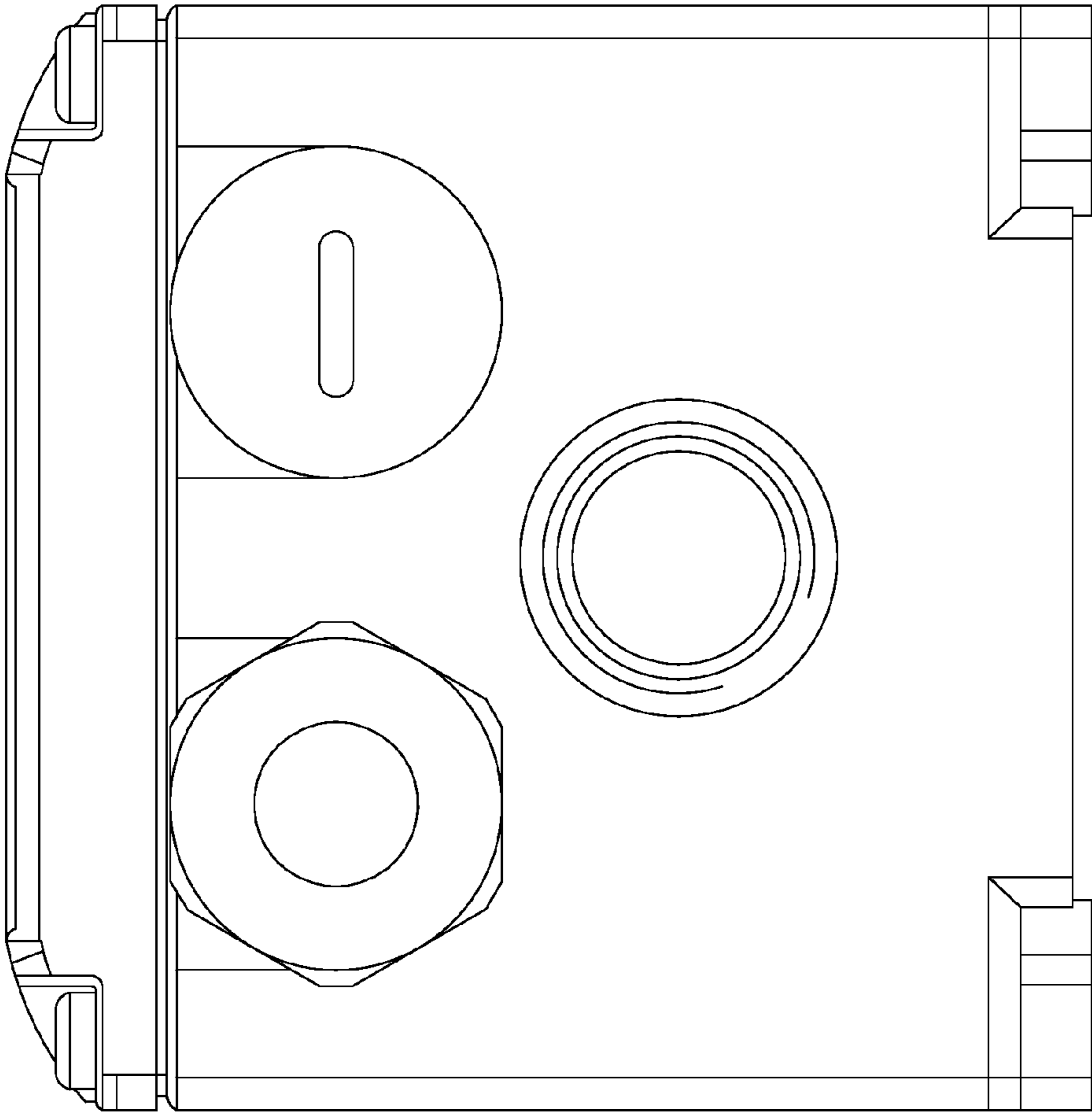


FIG. 7

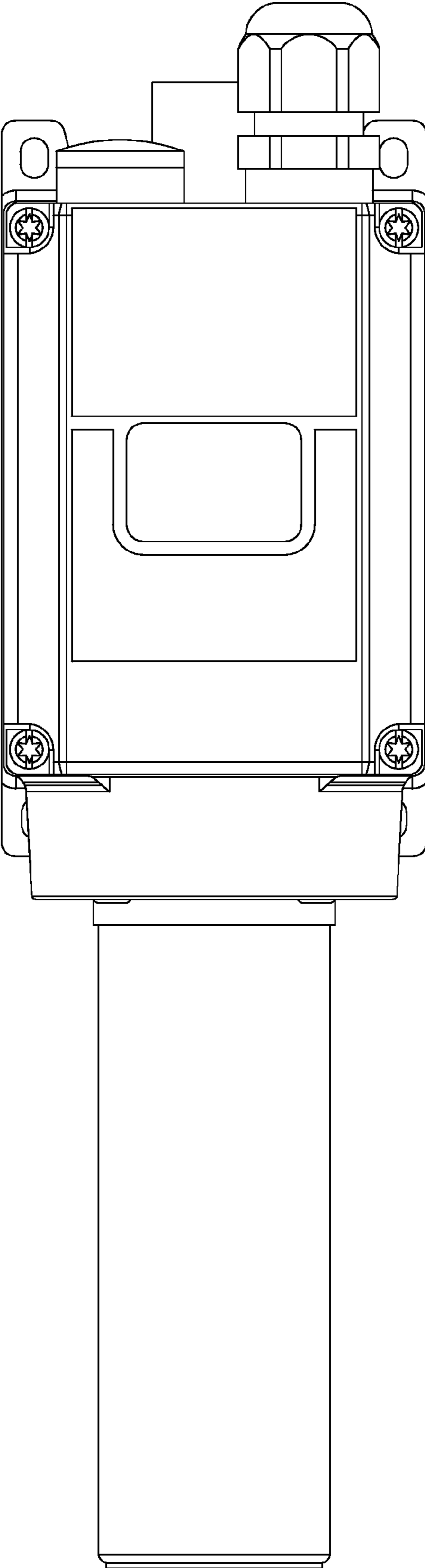


FIG. 8

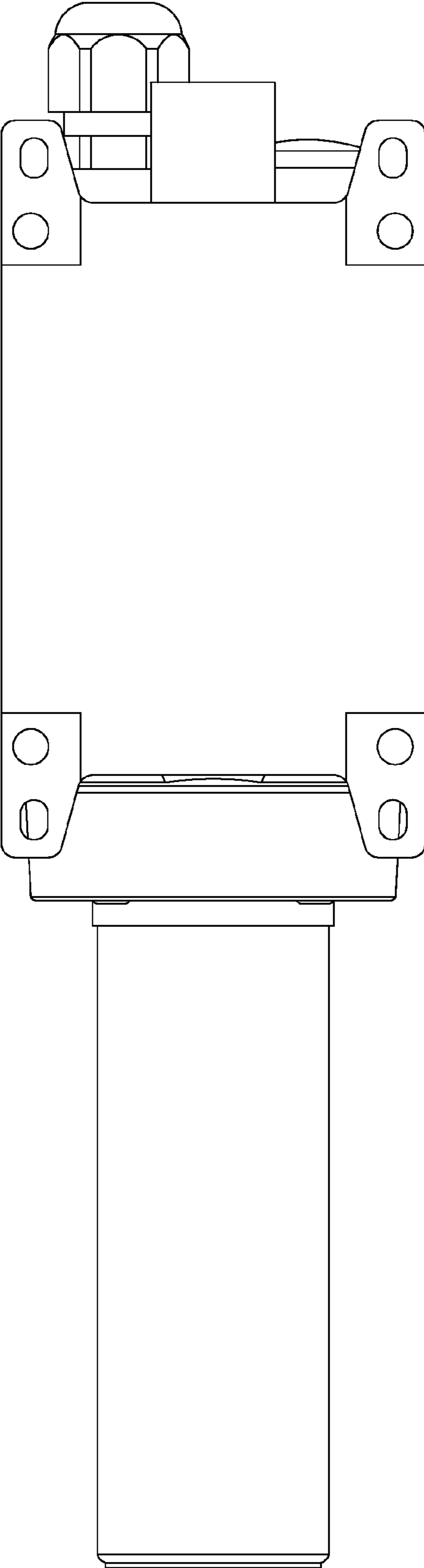


FIG. 9

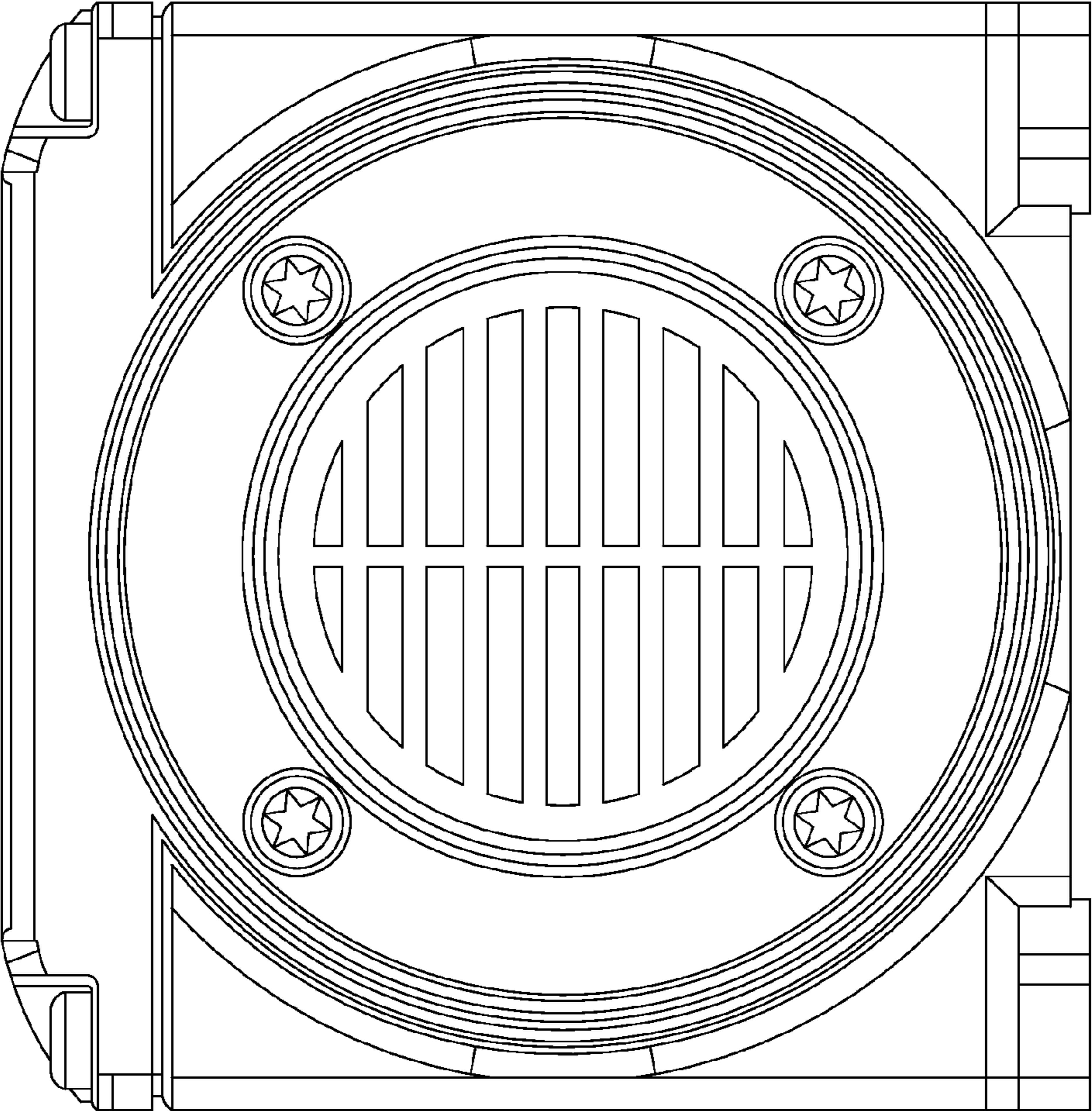


FIG. 10

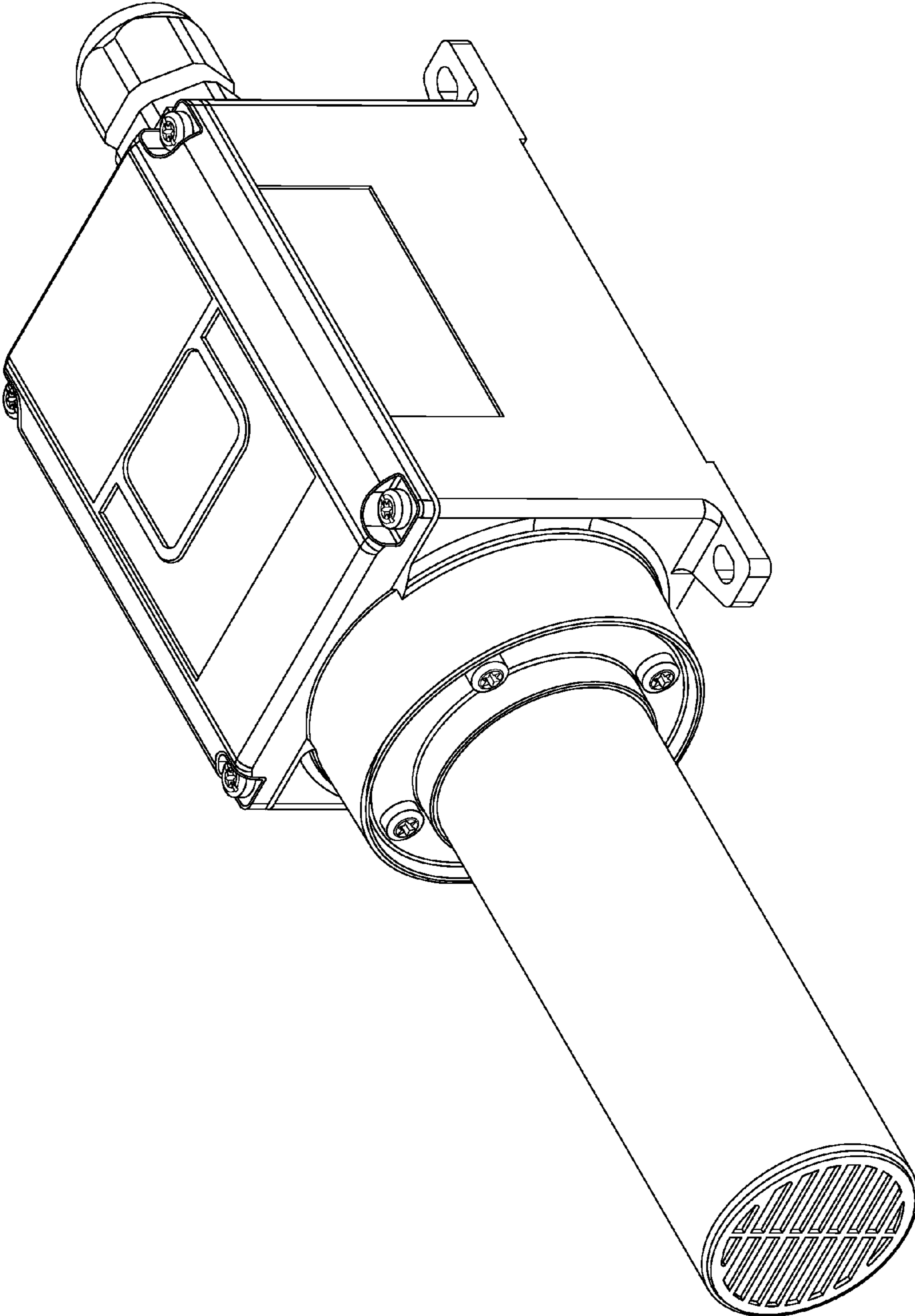


FIG. 11

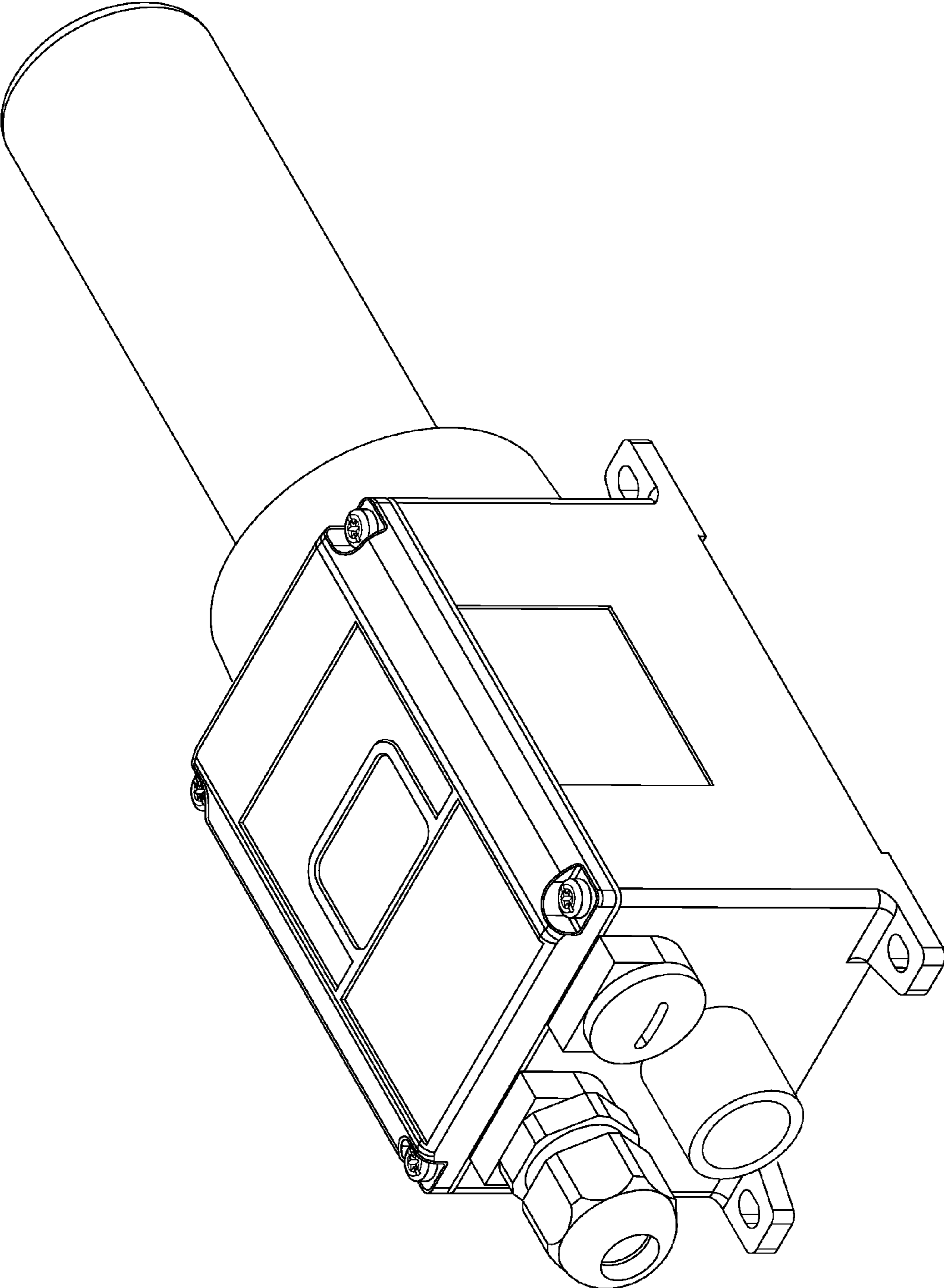


FIG. 12

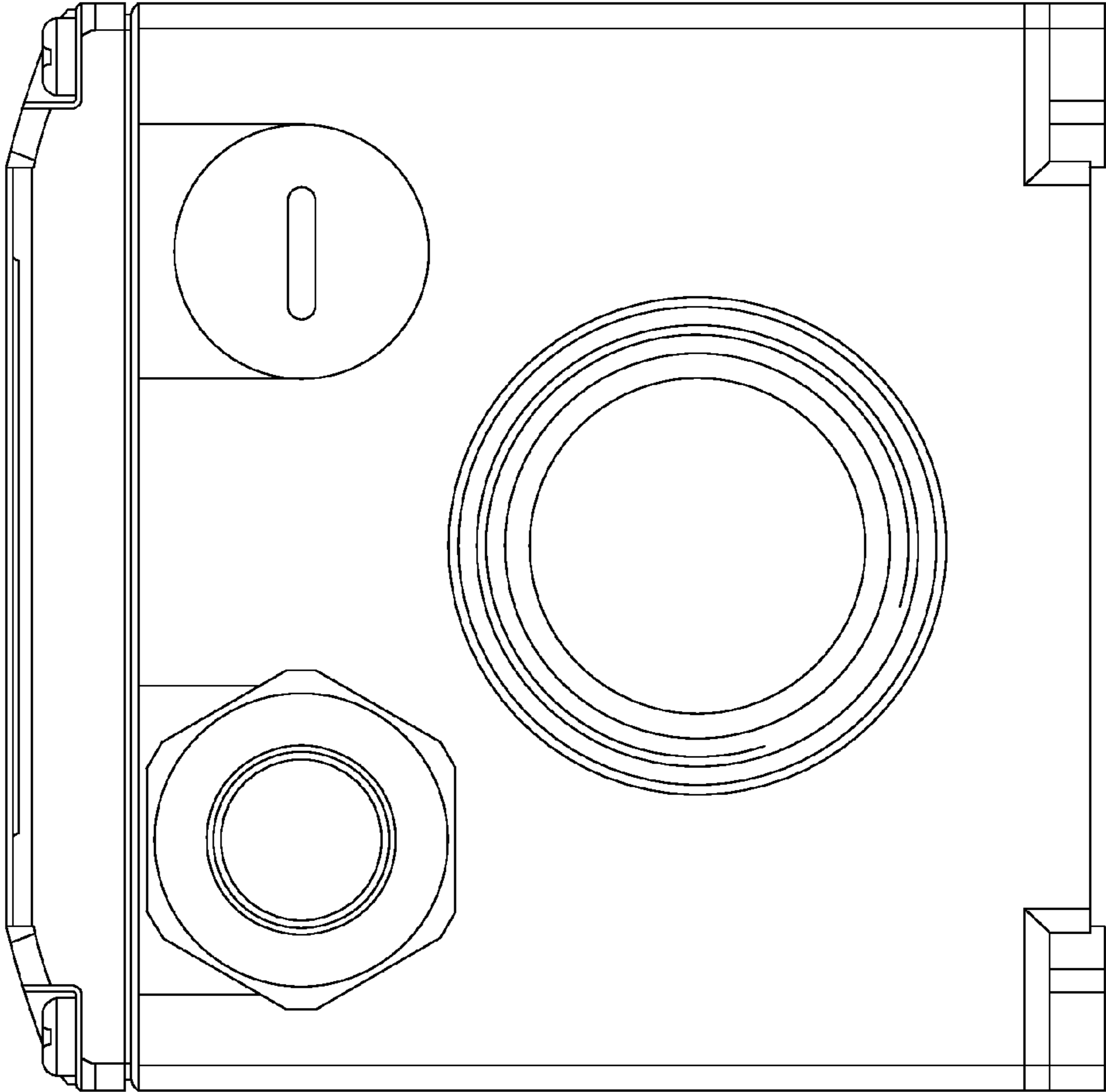


FIG. 13

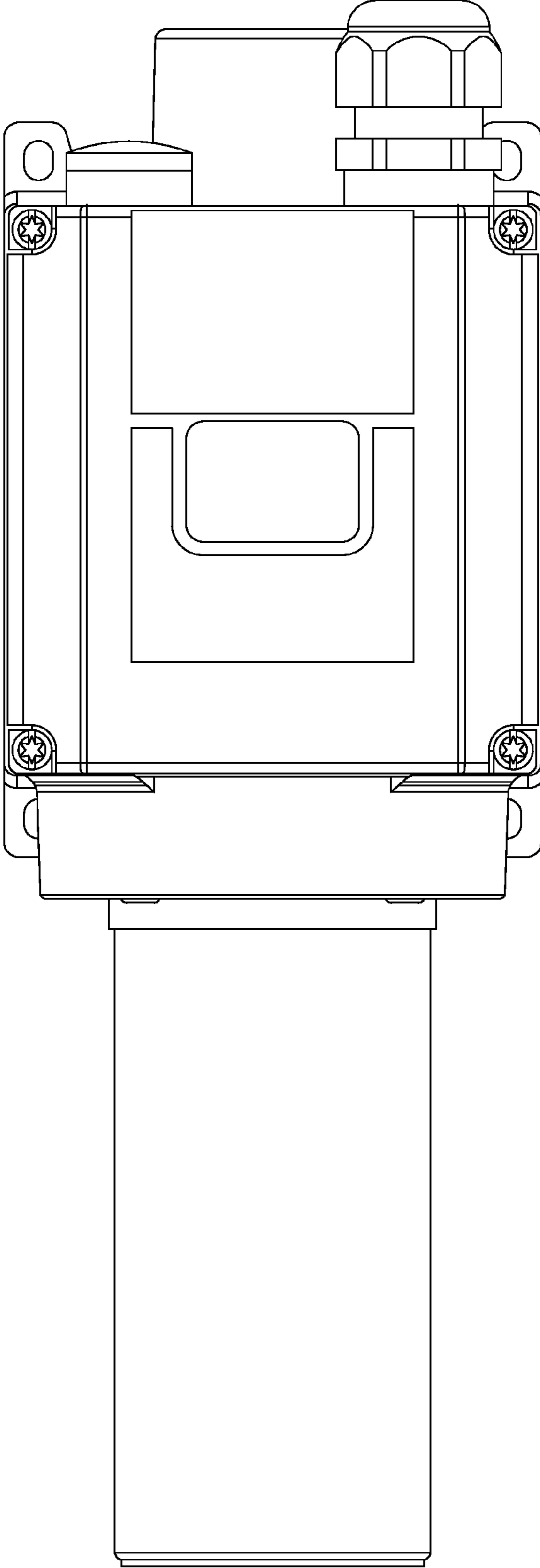


FIG. 14

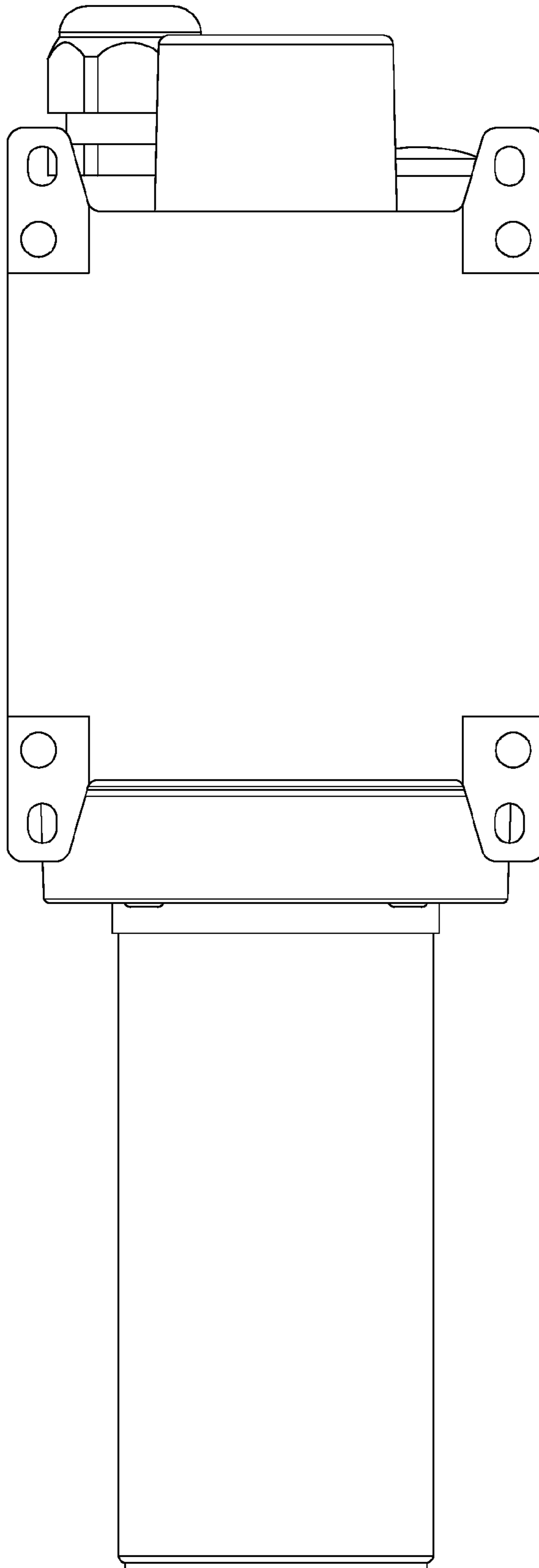


FIG. 15

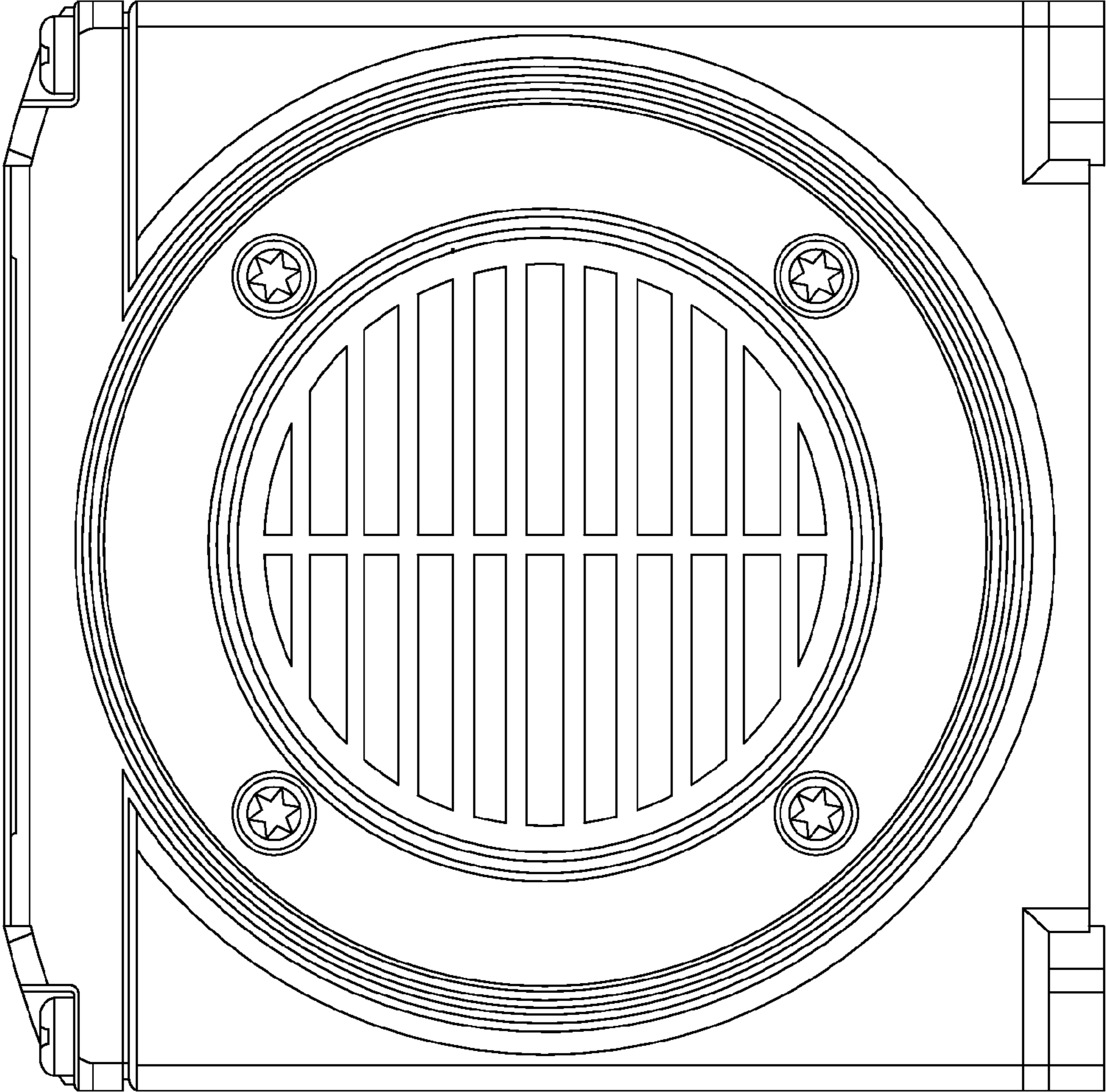


FIG. 16

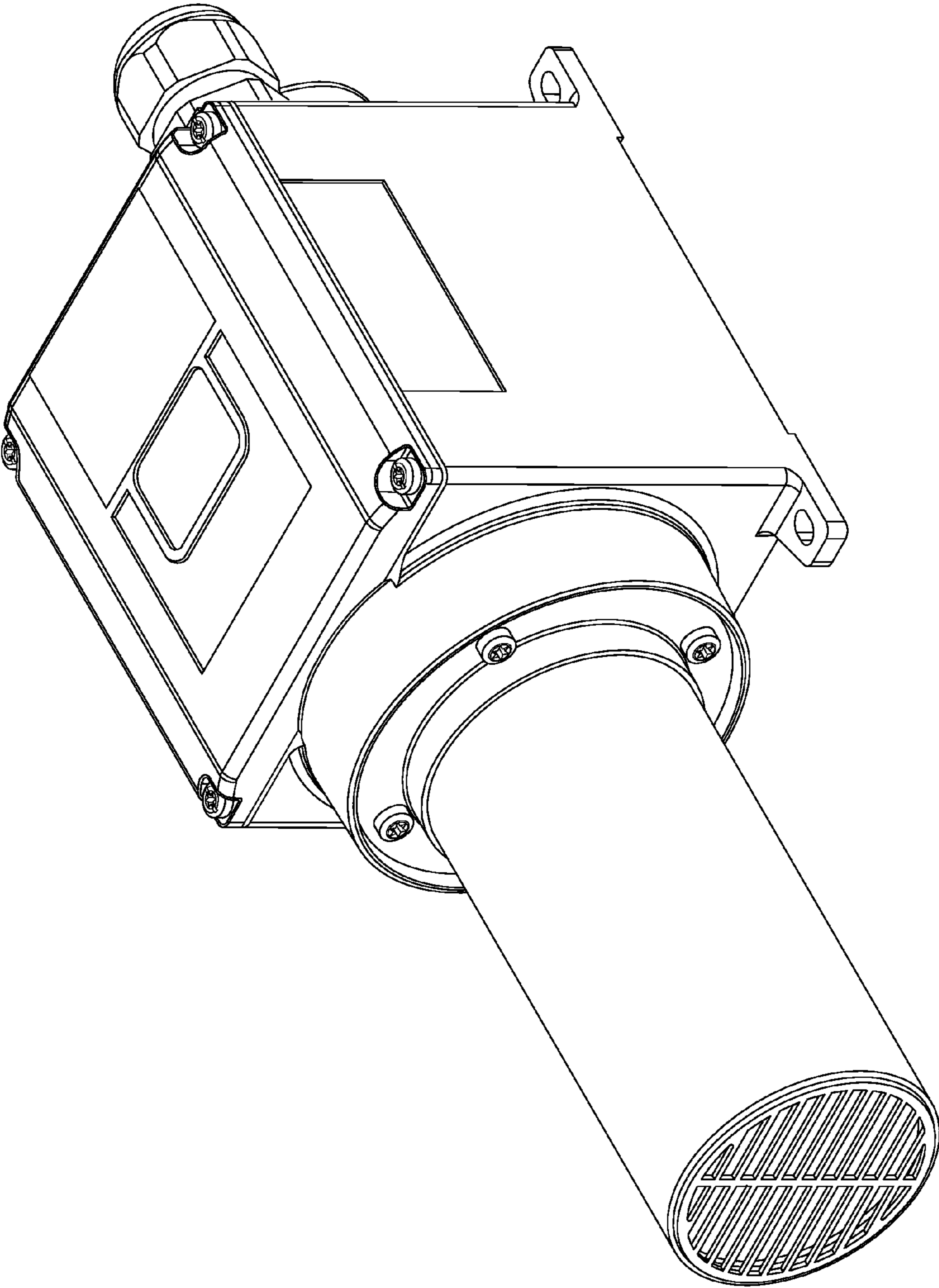


FIG. 17

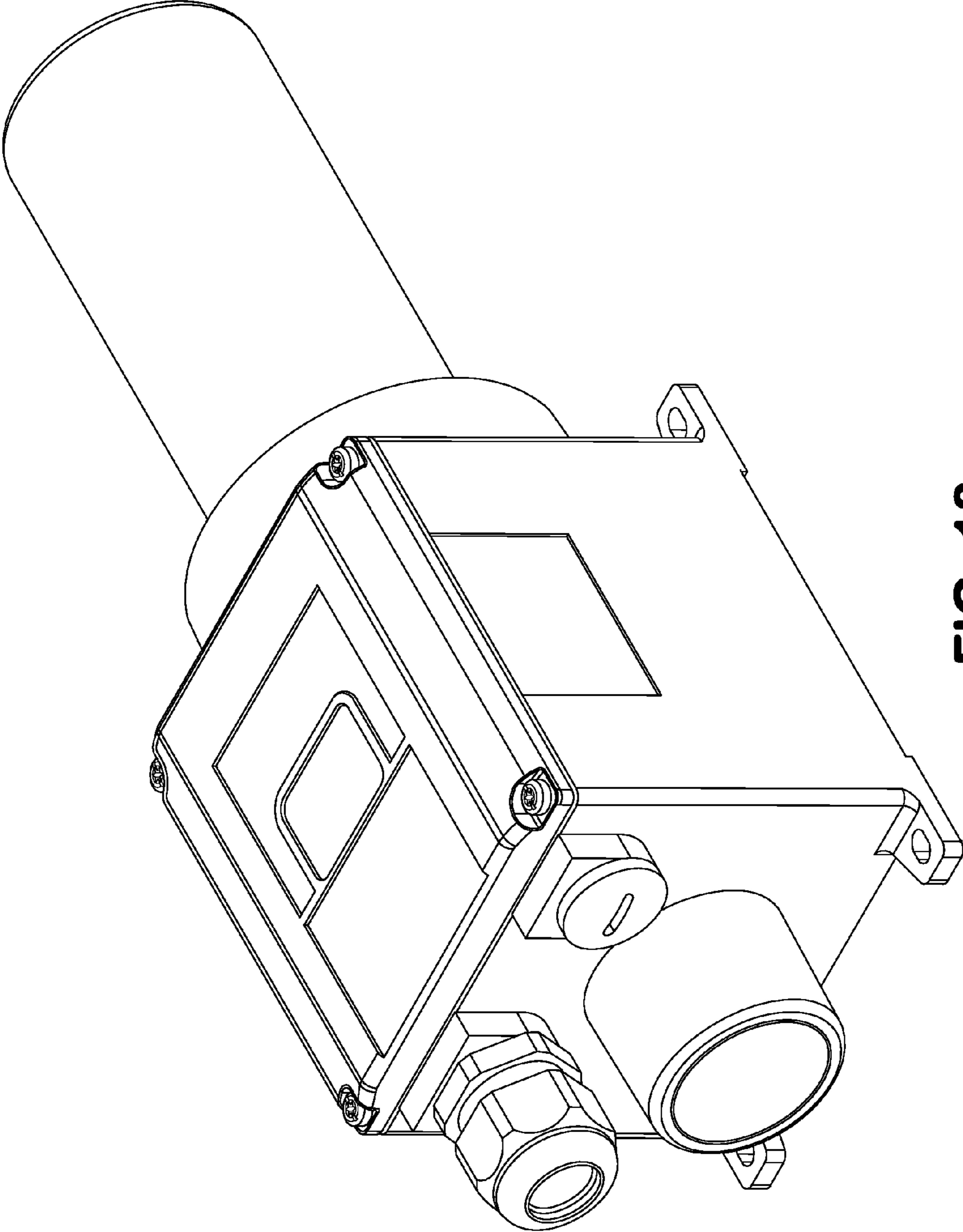


FIG. 18