



US00D661383S

(12) **United States Design Patent**
Motegi et al.

(10) **Patent No.:** **US D661,383 S**

(45) **Date of Patent:** **** Jun. 5, 2012**

(54) **DENTED STEEL PIPE**

(75) Inventors: **Yuki Motegi**, Chiyoda-ku (JP);
Kunihiro Enomoto, Chiyoda-ku (JP);
Hiroyuki Mimura, Chiyoda-ku (JP);
Takashi Oosawa, Chiyoda-ku (JP)

(73) Assignee: **Nippon Steel Corporation**, Tokyo (JP)

(**) Term: **14 Years**

(21) Appl. No.: **29/401,979**

(22) Filed: **Sep. 19, 2011**

(30) **Foreign Application Priority Data**

Mar. 23, 2011 (JP) 2011-006604
Mar. 23, 2011 (JP) 2011-006607

(51) **LOC (9) Cl.** **23-01**

(52) **U.S. Cl.** **D23/266**

(58) **Field of Classification Search** D23/266;
D25/119-126, 131; 405/266; 138/121-122,
138/140, 154, 173

See application file for complete search history.

(56) **References Cited**

U.S. PATENT DOCUMENTS

85,149 A * 12/1868 Van Amringe 138/38
D5,178 S * 8/1871 Gould D8/376
D16,763 S * 6/1886 Pfeifer D23/266
436,463 A * 9/1890 Richard 72/78
650,575 A * 5/1900 Whitney 122/511
910,192 A * 1/1909 Grouvelle et al. 138/38
D76,323 S * 9/1928 Rowan D23/266
D199,084 S * 9/1964 Feigenbaum D15/199
3,612,175 A * 10/1971 Ford et al. 165/179
D330,774 S * 11/1992 Klaric D25/125
D355,353 S * 2/1995 Pozzi D8/377
D380,886 S * 7/1997 Hauser et al. D1/126
5,729,952 A * 3/1998 Dahl 403/269
D415,574 S * 10/1999 Shrira D25/61
D415,847 S * 10/1999 Schaefer D25/126
D473,663 S * 4/2003 Chou D25/122
D496,471 S * 9/2004 Fergusson D25/125
D525,684 S * 7/2006 Jhang D23/266

D530,482 S * 10/2006 Zhang et al. D1/125
D539,550 S * 4/2007 Ping Sheng D5/99
D583,486 S * 12/2008 Kelley D25/122
2011/0030834 A1 * 2/2011 Booth 138/154

* cited by examiner

Primary Examiner — T. Chase Nelson

Assistant Examiner — Eric Goodman

(74) *Attorney, Agent, or Firm* — Sughrue Mion, PLLC

(57) **CLAIM**

The ornamental design for a dented steel pipe, as shown and described.

DESCRIPTION

FIG. 1 is a perspective view of a first embodiment of a dented steel pipe.

FIG. 2 is a front elevation view thereof.

FIG. 3 is a rear elevation view thereof.

FIG. 4 is a left side elevation view thereof.

FIG. 5 is a right side elevation view thereof.

FIG. 6 is a top plan view thereof.

FIG. 7 is a bottom plan view thereof.

FIG. 8 is a cross-sectional view taken along the line 8-8 in FIG. 6.

FIG. 9 is a cross-sectional view taken along the line 9-9 in FIG. 6.

FIG. 10 is a perspective view of a second embodiment of a dented steel pipe.

FIG. 11 is a front elevation view thereof.

FIG. 12 is a rear elevation view thereof.

FIG. 13 is a left side elevation view thereof.

FIG. 14 is a right side elevation view thereof.

FIG. 15 is a top plan view thereof.

FIG. 16 is a bottom plan view thereof.

FIG. 17 is a cross-sectional view taken along the line 17-17 in FIG. 15; and,

FIG. 18 is a cross-sectional view taken along the line 18-18 in FIG. 15.

The length of the dented steel pipe is indeterminate and thus its precise length is not claimed, and the dents are repeated at regular intervals throughout the length of the dented steel pipe.

1 Claim, 16 Drawing Sheets

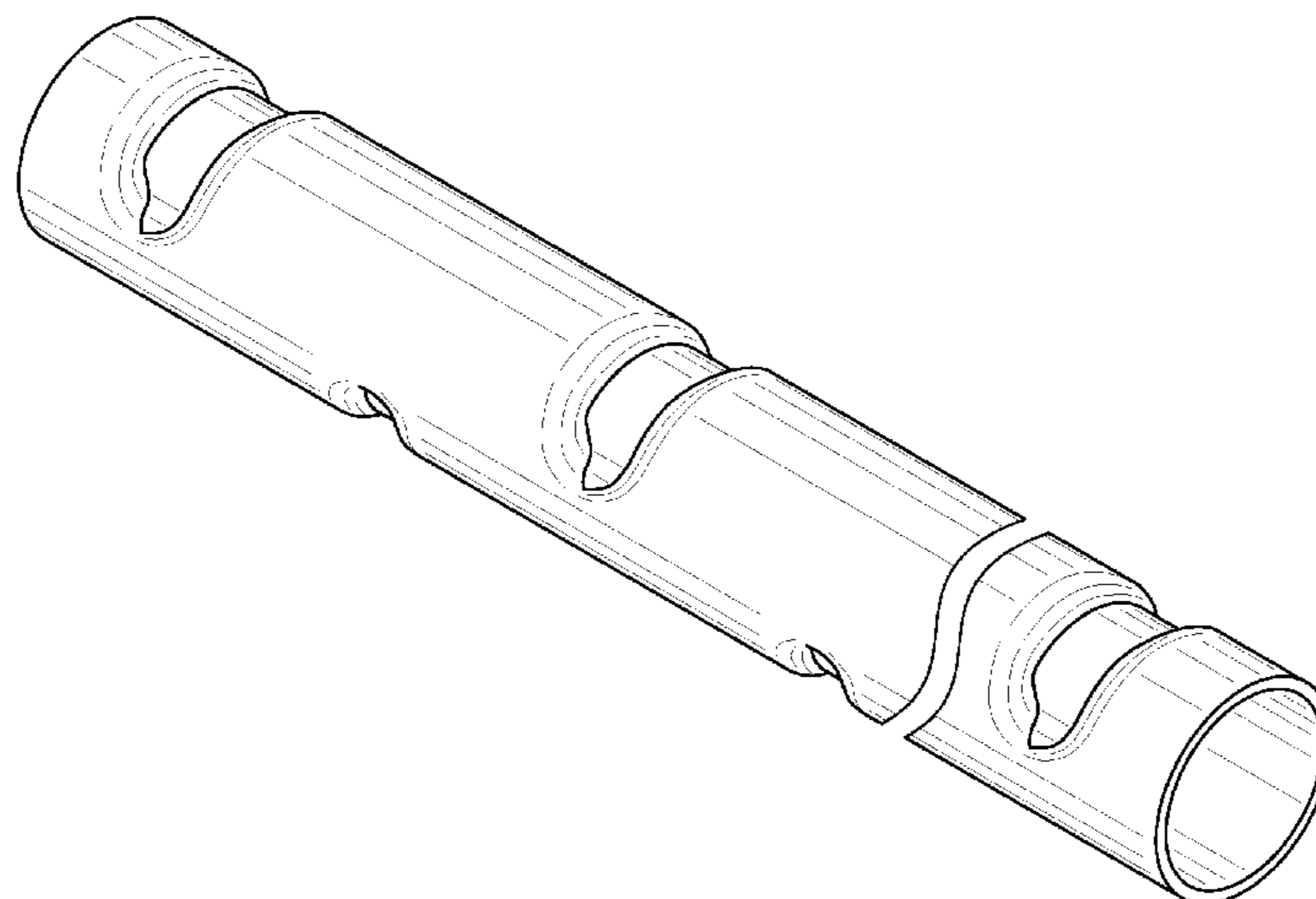


FIG. 1

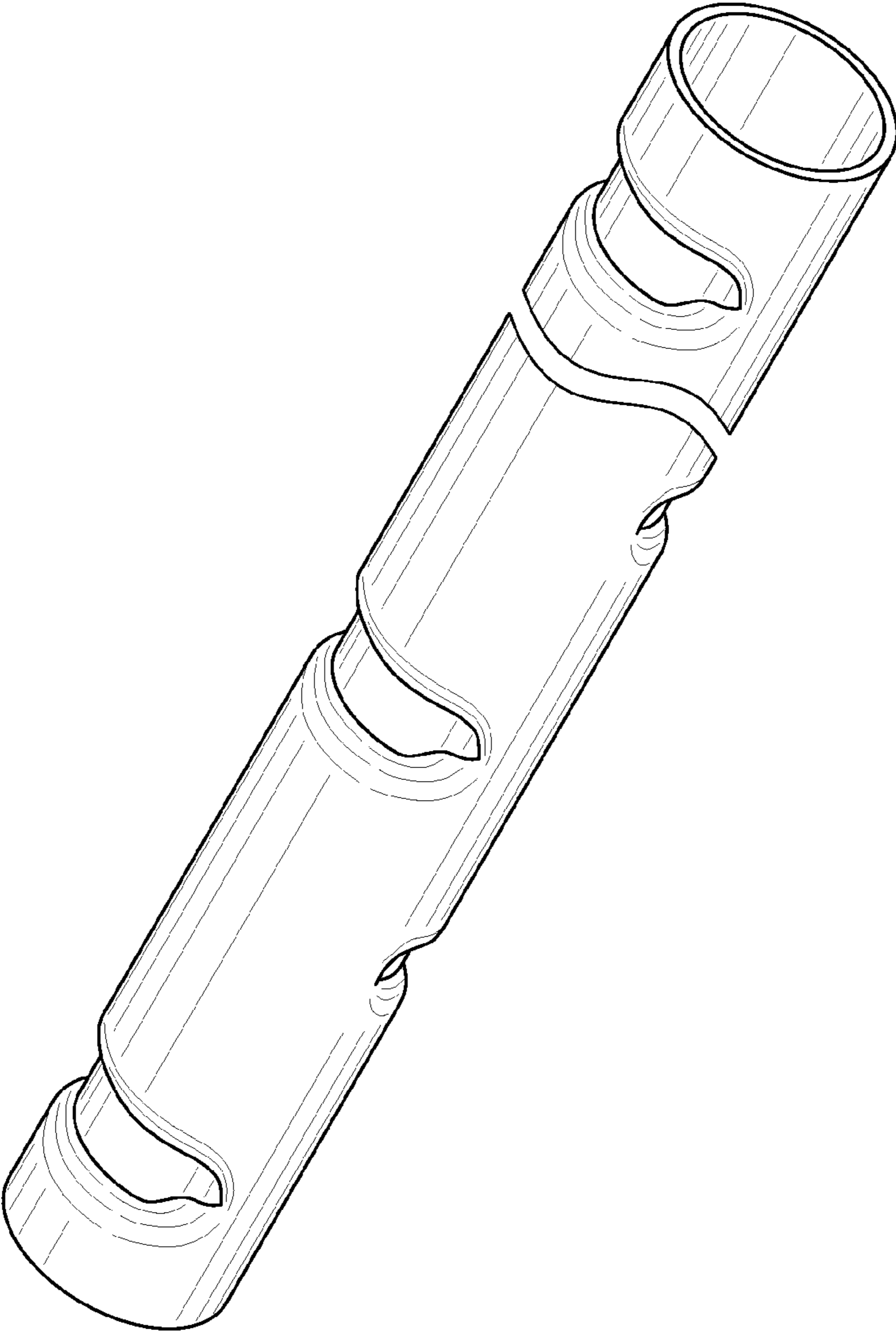


FIG. 2

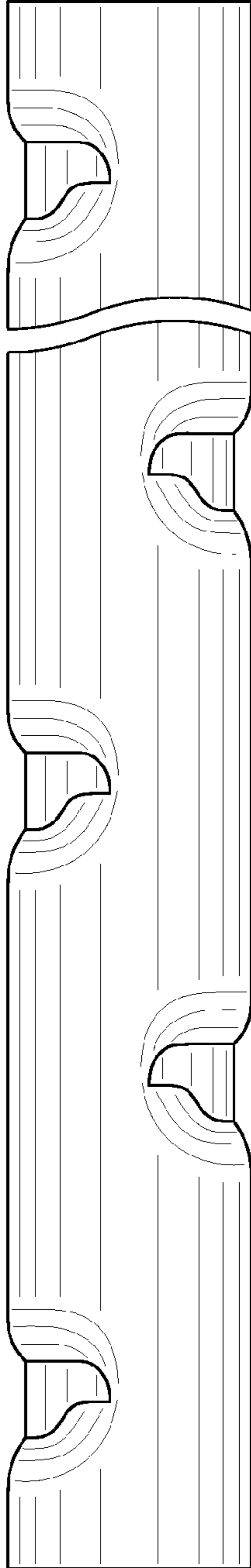


FIG. 3

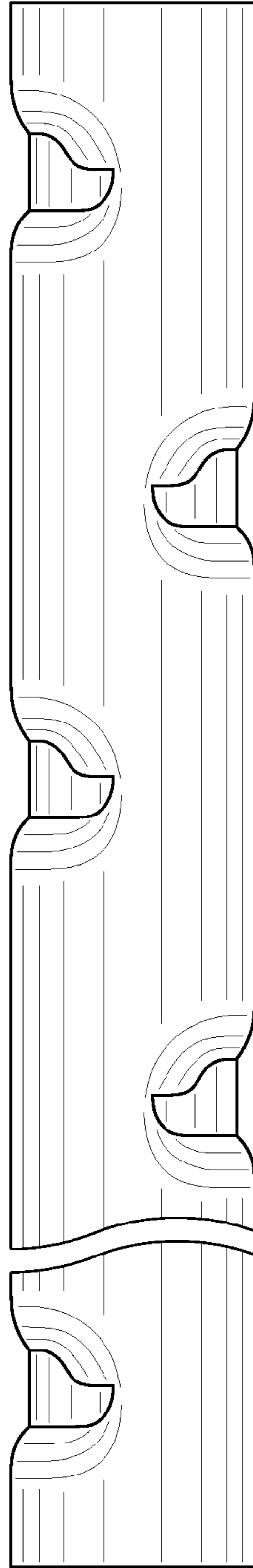


FIG. 5

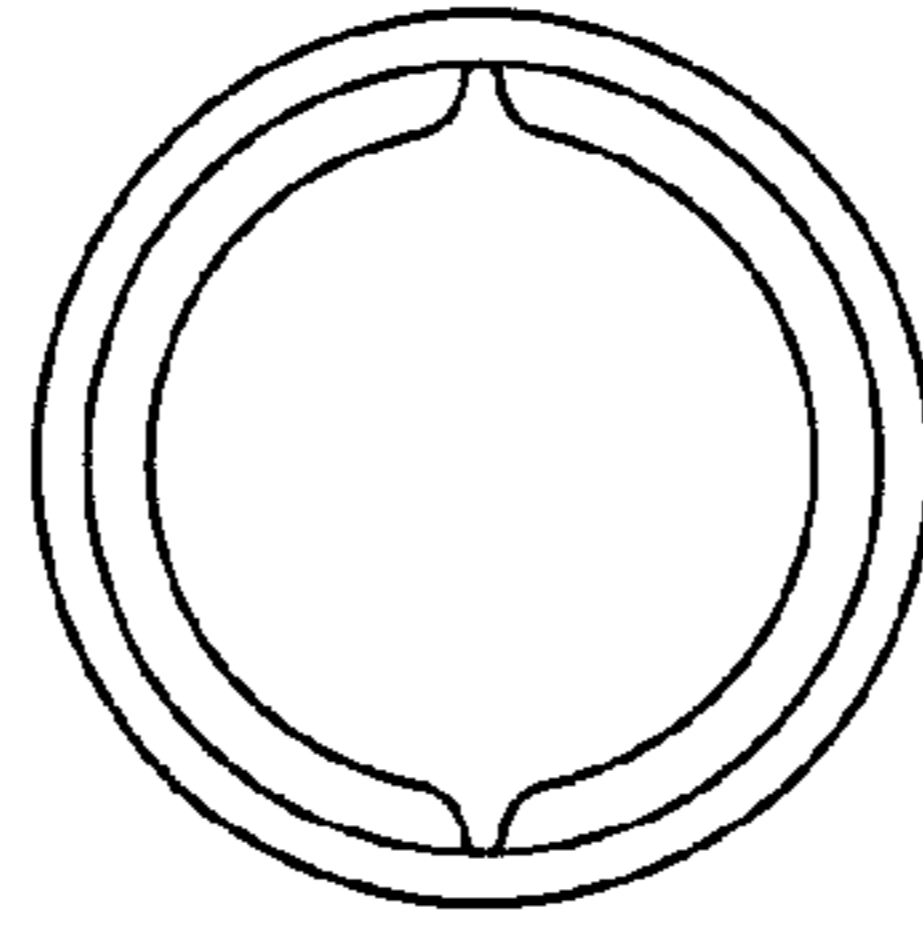


FIG. 4

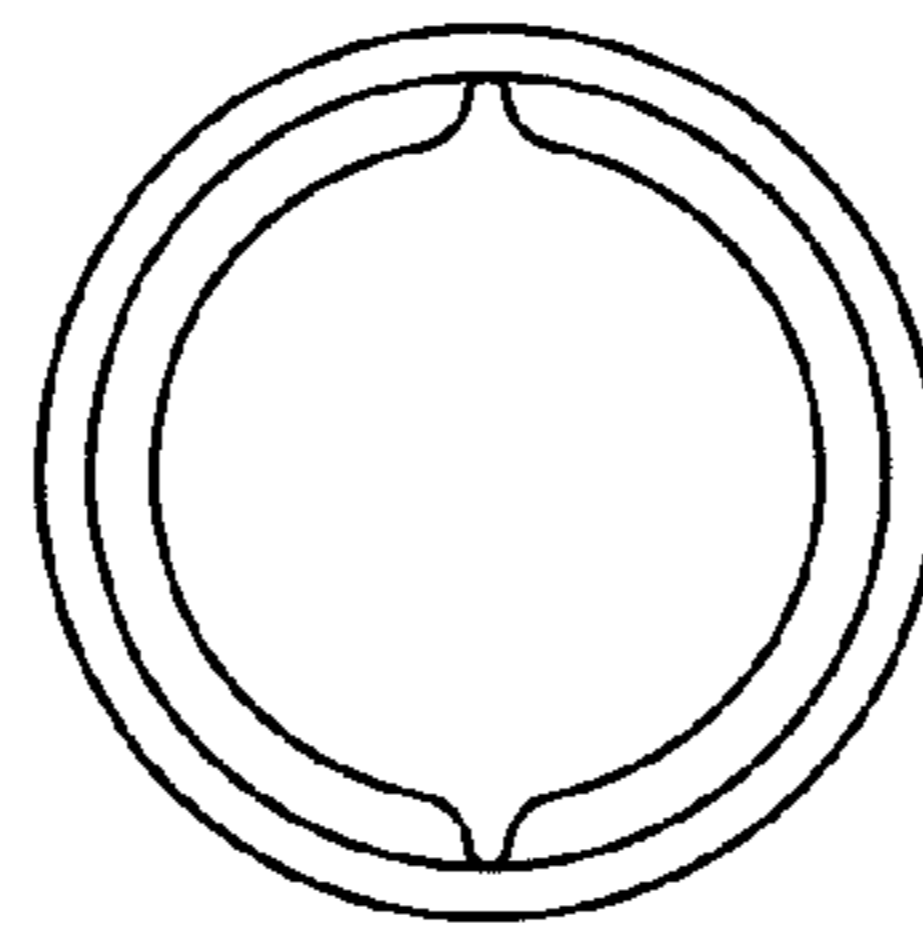


FIG. 6

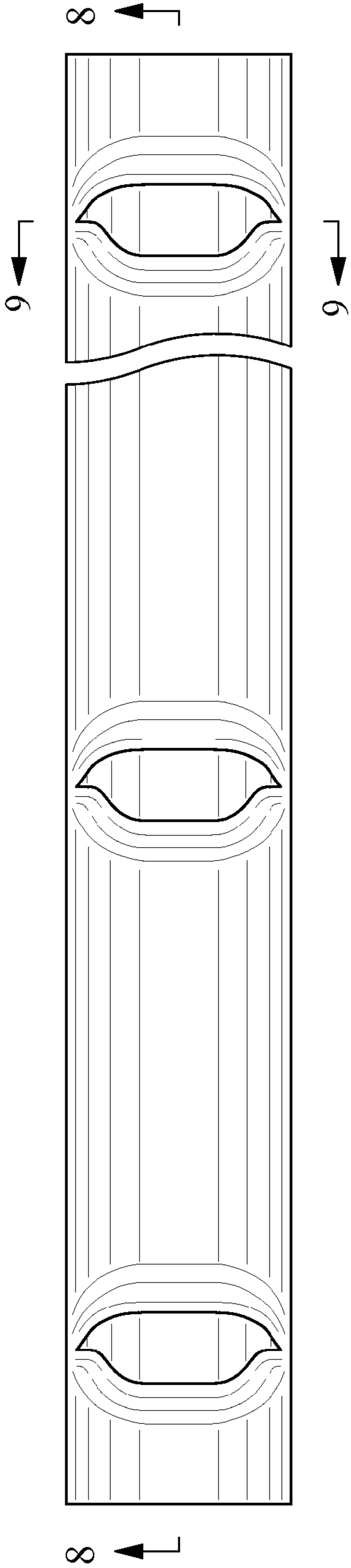


FIG. 7

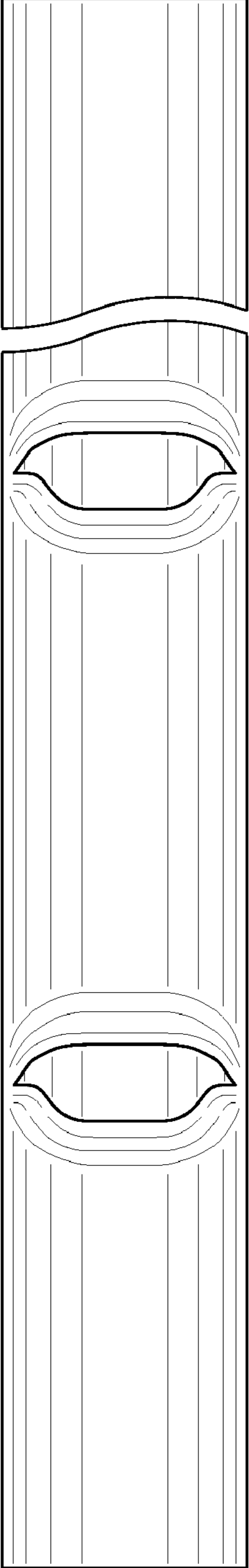


FIG. 8

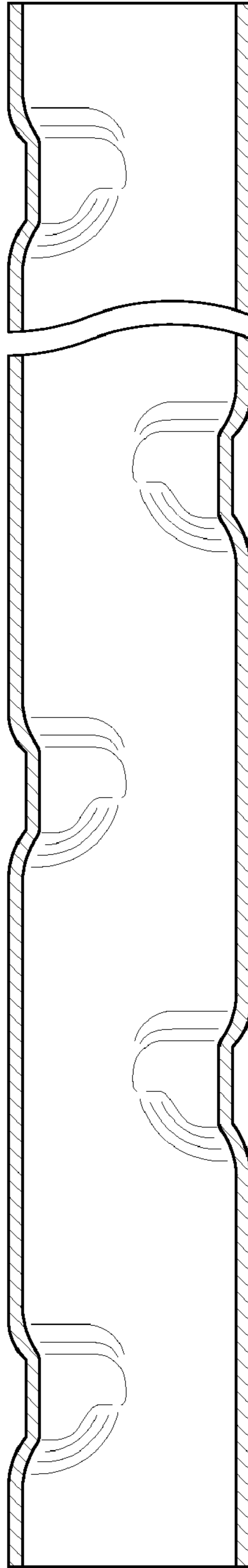


FIG. 9

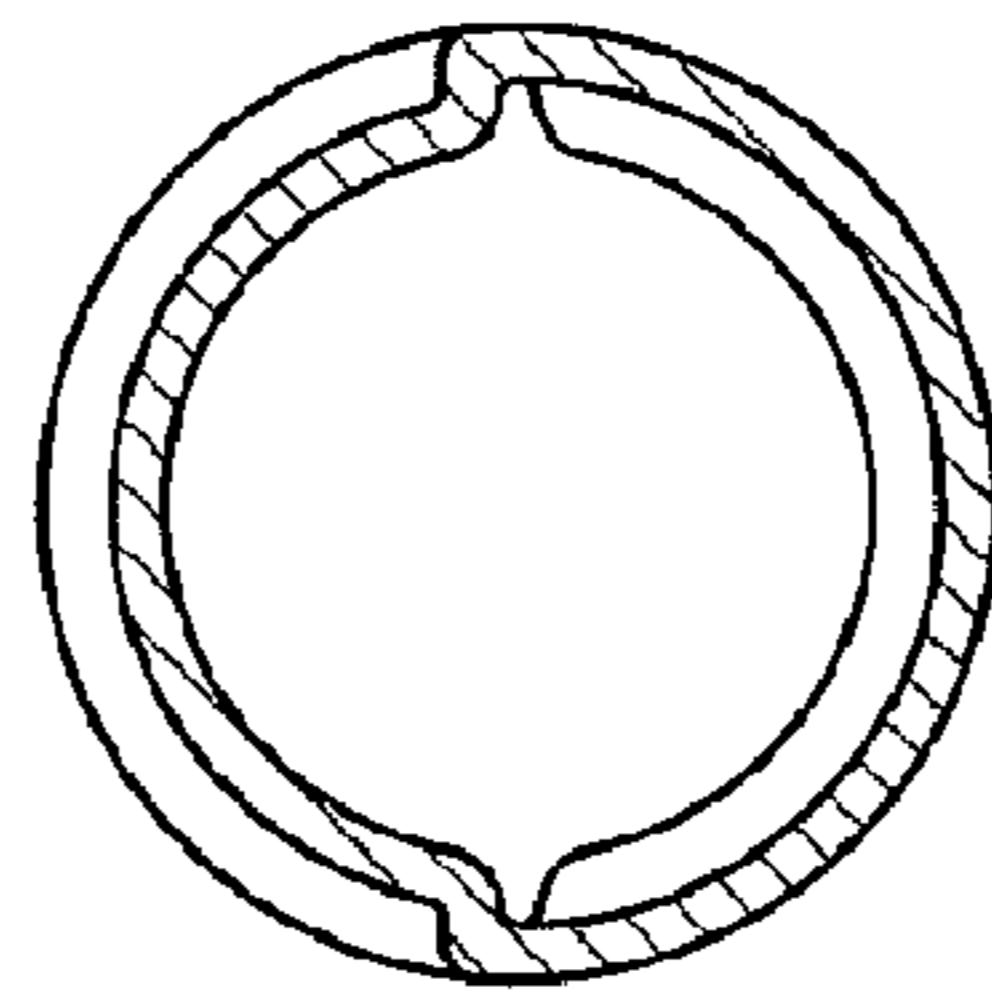


FIG. 10

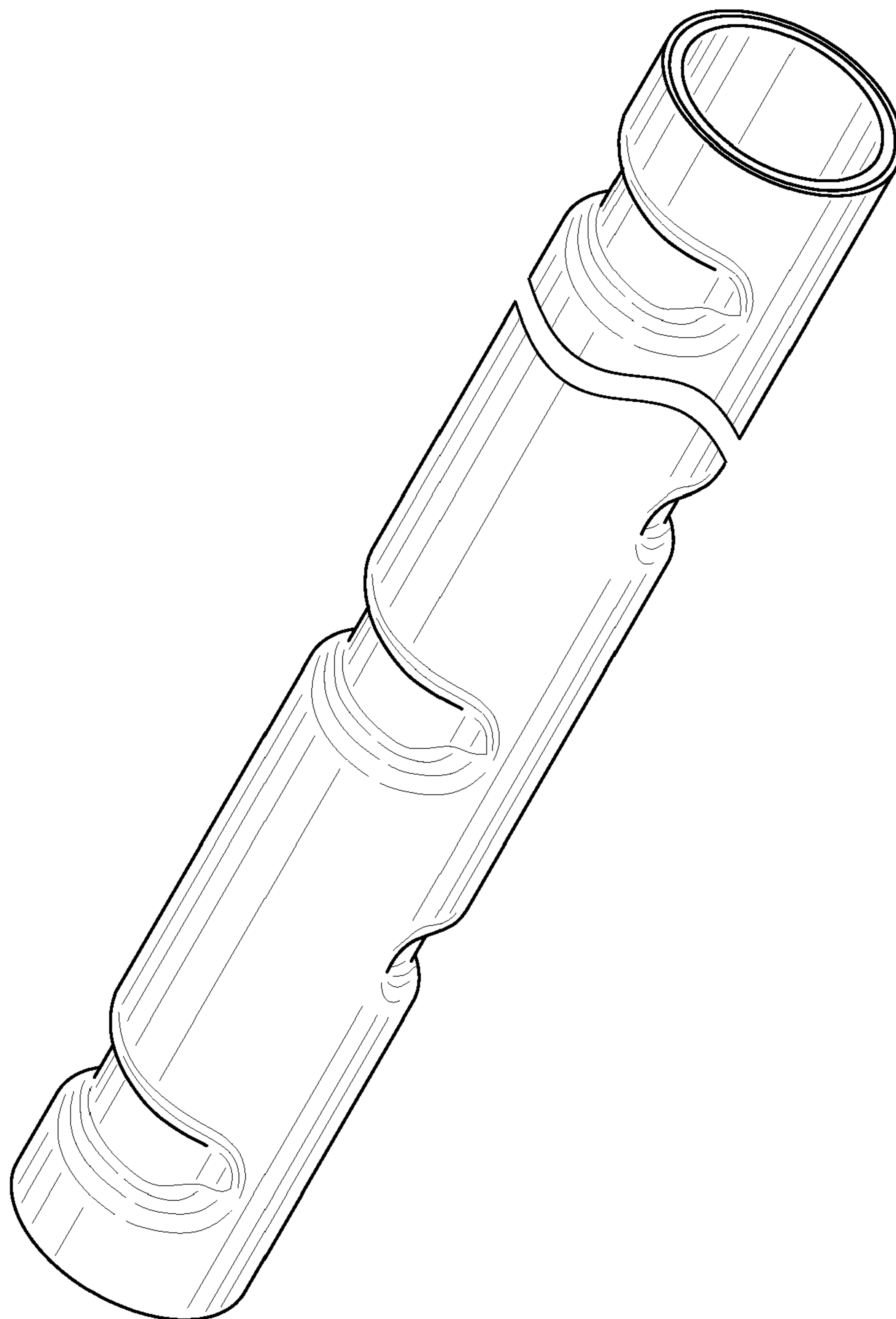


FIG. 11

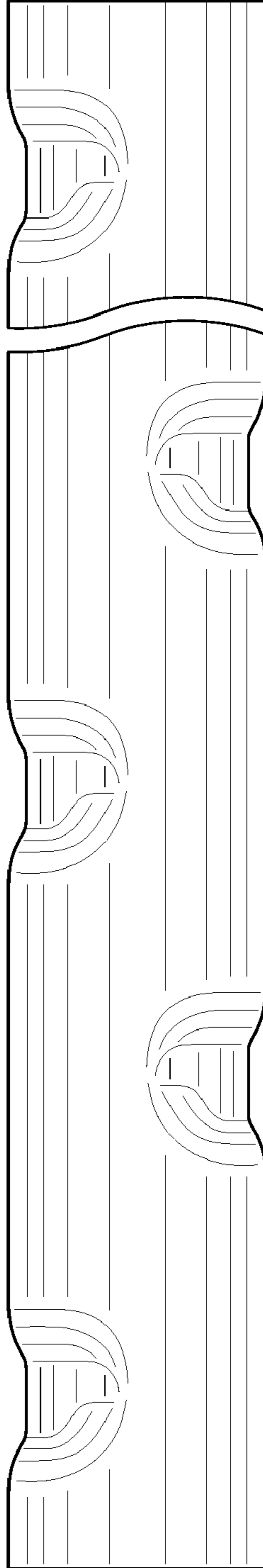


FIG. 12

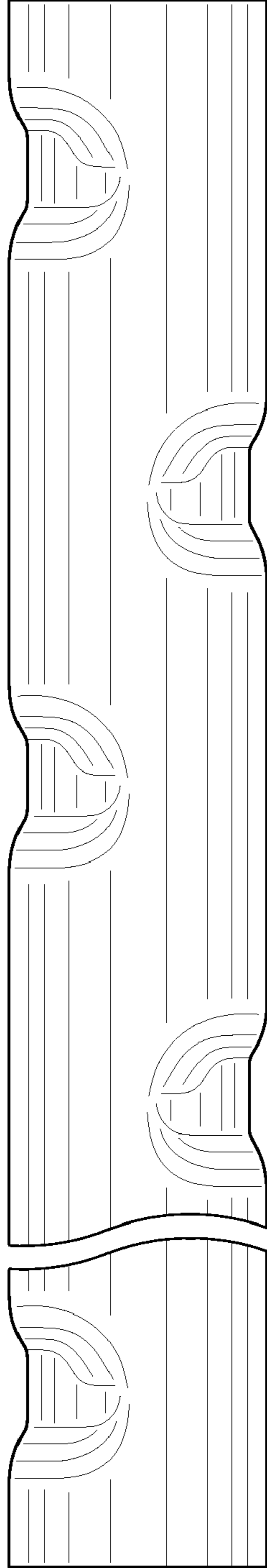


FIG. 14

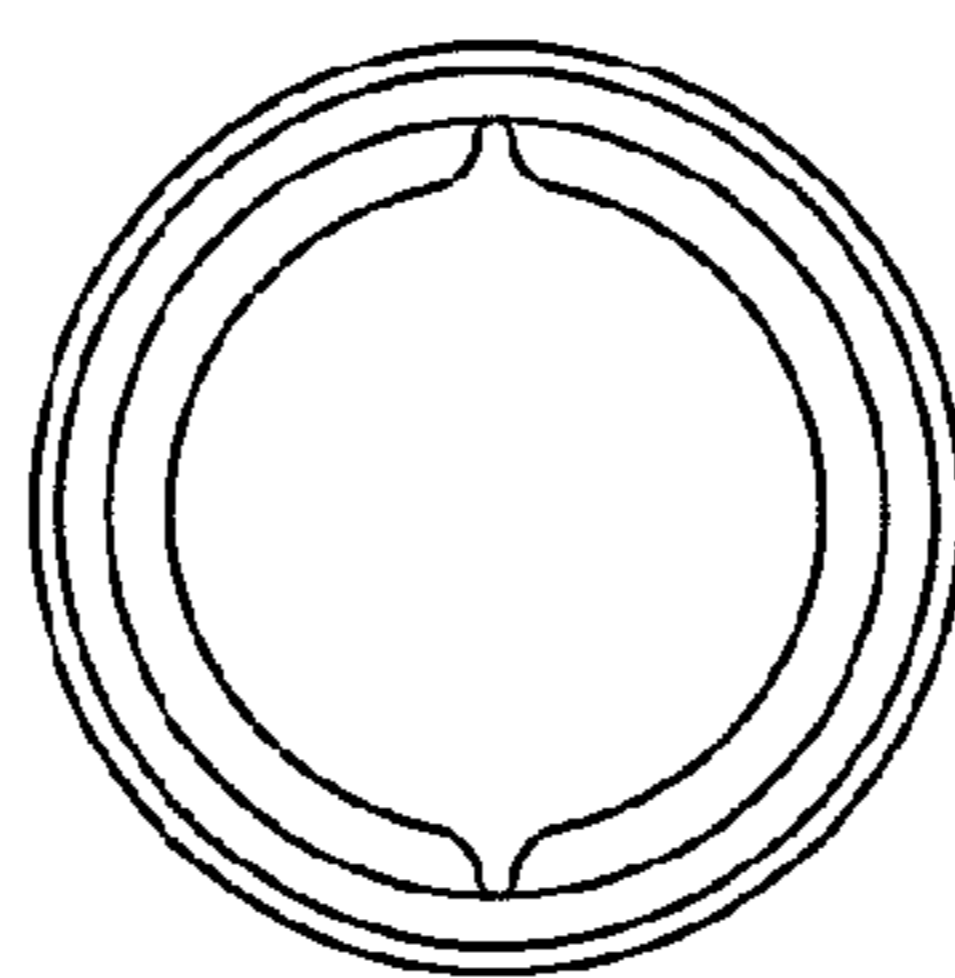


FIG. 13

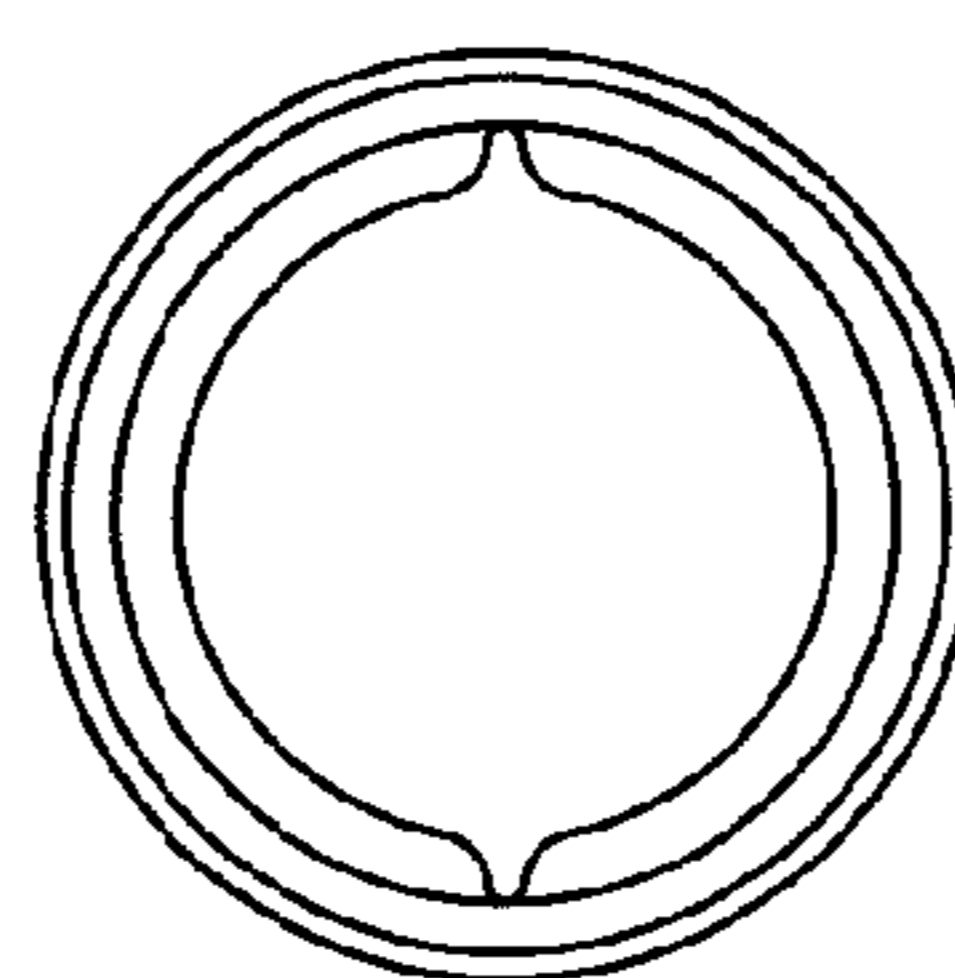


FIG. 15

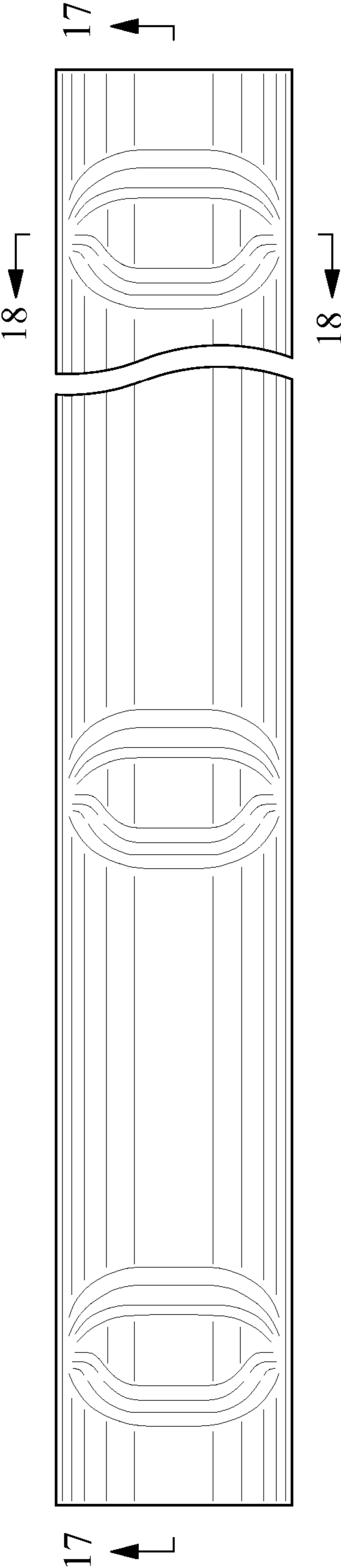


FIG. 16

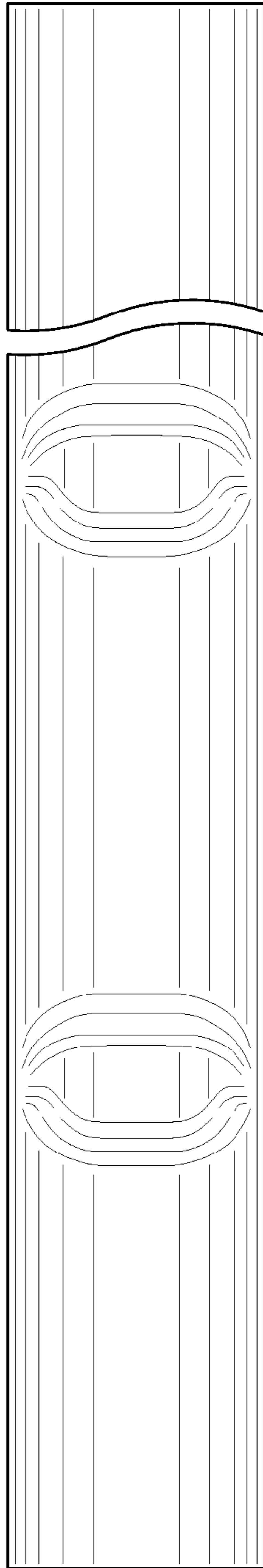


FIG. 17

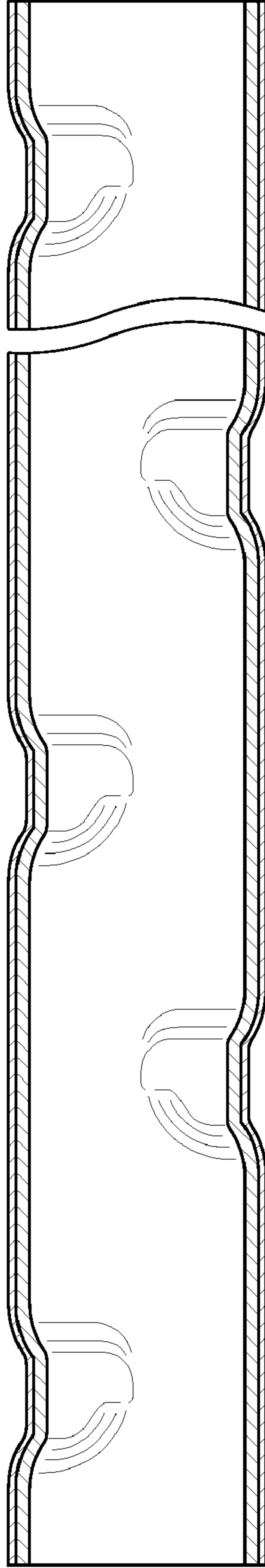


FIG. 18

