

US00D661378S

(12) **United States Design Patent**
Eilmus

(10) **Patent No.:** **US D661,378 S**
(45) **Date of Patent:** **** Jun. 5, 2012**

(54) **PLUMBING FITTING**

(75) Inventor: **Niels J. Eilmus**, Sheboygan, WI (US)

(73) Assignee: **Kohler Co.**, Kohler, WI (US)

(**) Term: **14 Years**

(21) Appl. No.: **29/410,523**

(22) Filed: **Jan. 9, 2012**

Related U.S. Application Data

(60) Division of application No. 29/324,385, filed on Sep. 11, 2008, which is a continuation-in-part of application No. 29/305,208, filed on Mar. 14, 2008, now Pat. No. Des. 585,111.

(51) **LOC (9) Cl.** **23-01**

(52) **U.S. Cl.** **D23/255**

(58) **Field of Classification Search** D23/238-243,
D23/255, 257; 4/675-678; 137/801, 599.01;
16/110.1, 441

See application file for complete search history.

(56) **References Cited**

U.S. PATENT DOCUMENTS

1,838,290 A 12/1931 Steckel
(Continued)

FOREIGN PATENT DOCUMENTS

CH 2969186 4/2005

OTHER PUBLICATIONS

Restriction Requirement for U.S. Appl. No. 29/324,385, mail date Dec. 8, 2011, 8 pages.

(Continued)

Primary Examiner — Robert Delehanty

(74) *Attorney, Agent, or Firm* — Foley & Lardner LLP

(57) **CLAIM**

I claim the ornamental design for a plumbing fitting, as shown and described.

DESCRIPTION

FIG. 1 is a right, top, front perspective view of a plumbing fitting embodying my new design shown in one of many extended positions;

FIG. 2 is a detail view taken at arc 2-2 of FIG. 1 showing a surface pattern as represented by the stippling shown in FIG. 1

FIG. 3 is a right side elevational view of FIG. 1;

FIG. 4 is a left side elevational view thereof;

FIG. 5 is a front elevational view thereof;

FIG. 6 is a rear elevational view thereof;

FIG. 7 is a top plan view thereof;

FIG. 8 is a bottom plan view thereof;

FIG. 9 is a left, top, front perspective view of a plumbing fitting according to another embodiment of my new design, the right side, left side, front and rear elevational views thereof in the corresponding extending position being mirror images of the views shown in respective FIGS. 1-6 and the top and bottom plan views thereof in the corresponding extended position being mirror images of the views shown in FIGS. 7 and 8, the stippled areas shown in FIGS. 3-8 having the pattern of FIG. 2;

FIG. 10 is a right, top, front perspective view of the plumbing fitting of FIG. 1 shown in a retracted position, the stippled areas therein having the pattern of FIG. 2;

FIG. 11 is a front elevational view thereof;

FIG. 12 is a rear elevational view thereof;

FIG. 13 is a right side elevational view thereof;

FIG. 14 is a left side elevational view thereof;

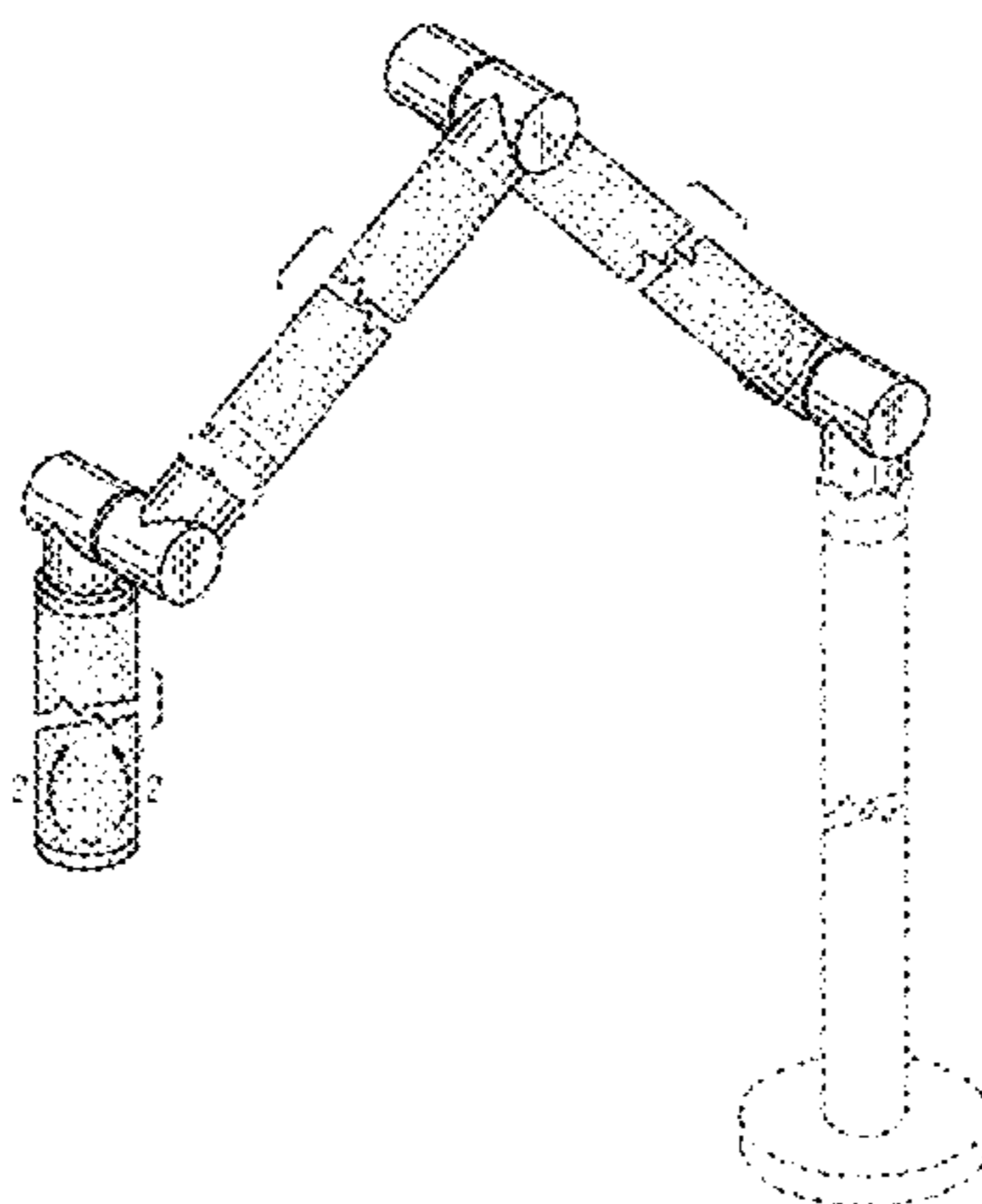
FIG. 15 is a top plan view thereof;

FIG. 16 is a bottom plan view thereof; and,

FIG. 17 is a left, top, front perspective view of the plumbing fitting of FIG. 9 shown in a retracted position, the front, rear, right side and left side elevational views thereof being mirror images of the views shown in respective FIGS. 11-14 and the top and bottom plan views thereof being mirror images of the views shown in FIGS. 15 and 16, the stippled areas shown in FIGS. 11-16 having the pattern of FIG. 2.

The ornamental design which is claimed is shown in solid lines in the drawings. The broken lines in the drawings are for illustrative purposes only and form no part of the claimed design.

1 Claim, 9 Drawing Sheets



US D661,378 S

Page 2

U.S. PATENT DOCUMENTS

D464,711 S 10/2002 Warshawsky
D492,393 S 6/2004 Herring et al.
D496,714 S 9/2004 Warshawsky
D496,715 S 9/2004 Warshawsky
D497,197 S 10/2004 Warshawsky
D497,410 S 10/2004 Warshawsky
D497,411 S 10/2004 Warshawsky
D508,551 S 8/2005 Warshawsky
D508,552 S 8/2005 Warshawsky
D527,796 S 9/2006 Lammel
D534,992 S 1/2007 Lobermeier et al.
D535,356 S * 1/2007 Kuran et al. D23/238
D540,435 S 4/2007 Wilcox et al.
D551,324 S * 9/2007 Wilcox et al. D23/243
D560,762 S 1/2008 Eckhaus
D562,947 S * 2/2008 Zhang D23/243
D565,705 S 4/2008 Kuran et al.
D571,437 S 6/2008 Kristensen et al.
D576,705 S * 9/2008 McKeone D23/238
D579,080 S 10/2008 Zhang
D585,111 S 1/2009 Eilmus
D589,121 S 3/2009 McKeone
D599,893 S 9/2009 Sieger
D606,173 S 12/2009 Sieger
D612,015 S 3/2010 Lammel et al.
D619,220 S 7/2010 Semchuck et al.
D620,557 S 7/2010 Eilmus
D627,857 S 11/2010 Eilmus
D630,711 S 1/2011 Eilmus
D632,363 S 2/2011 McKeone

D641,454 S 7/2011 Mckeone
D643,911 S 8/2011 Erickson et al.
D646,359 S 10/2011 Sieger
8,061,386 B2 11/2011 Mueller et al.

OTHER PUBLICATIONS

Response to Restriction Requirement for U.S. Appl. No. 29/324,385, mail date Jan. 9, 2012, 8 pages.
Cucina Porto Pot Filler Faucets, www.plumbingsupply.com/potfillerfaucets.html, 1995-2008, 1 page.
Danze Deck Mount Pot Filler, Parma Collection, www.plumbingsupply.com/potfillerfaucets.html, 1995-2008, 1 page.
Danze Opulence Pot Filler Kitchen Faucet, <http://www.faucet.com/decor/product.pl?mid+66199&fh+Chrome&N=222+3000606+222+103+219+55+3000368&Ne+5&CID+GOA>, 1994-2007, 1 page.
Danze Quality Wall Mount Pot Filler Faucet, Melrose Collection, www.plumbingsupply.com/potfillerfaucets.html, 1995-2008, 1 page.
Elements of Design, NuVo Pot Filler Faucets, www.plumbingsupply.com/potfillerfaucets.html, 1995-2008, 1 page.
Kohler Co., Fountainhead Integral Laminar Faucet, www.us.kohler.com/onlinecatalog/detail.jsp?from=thumb&frm=null&module=Lav, Dec. 31, 2007, 1 page.
Kohler Co., Margaux Single-Control Lavatory Faucet, Model K-16230-4, www.us.kohler.com/onlinecatalog/detail.jsp?from=thumb&frm=&module=Lavator, Dec. 31, 2007, 1 page.

* cited by examiner

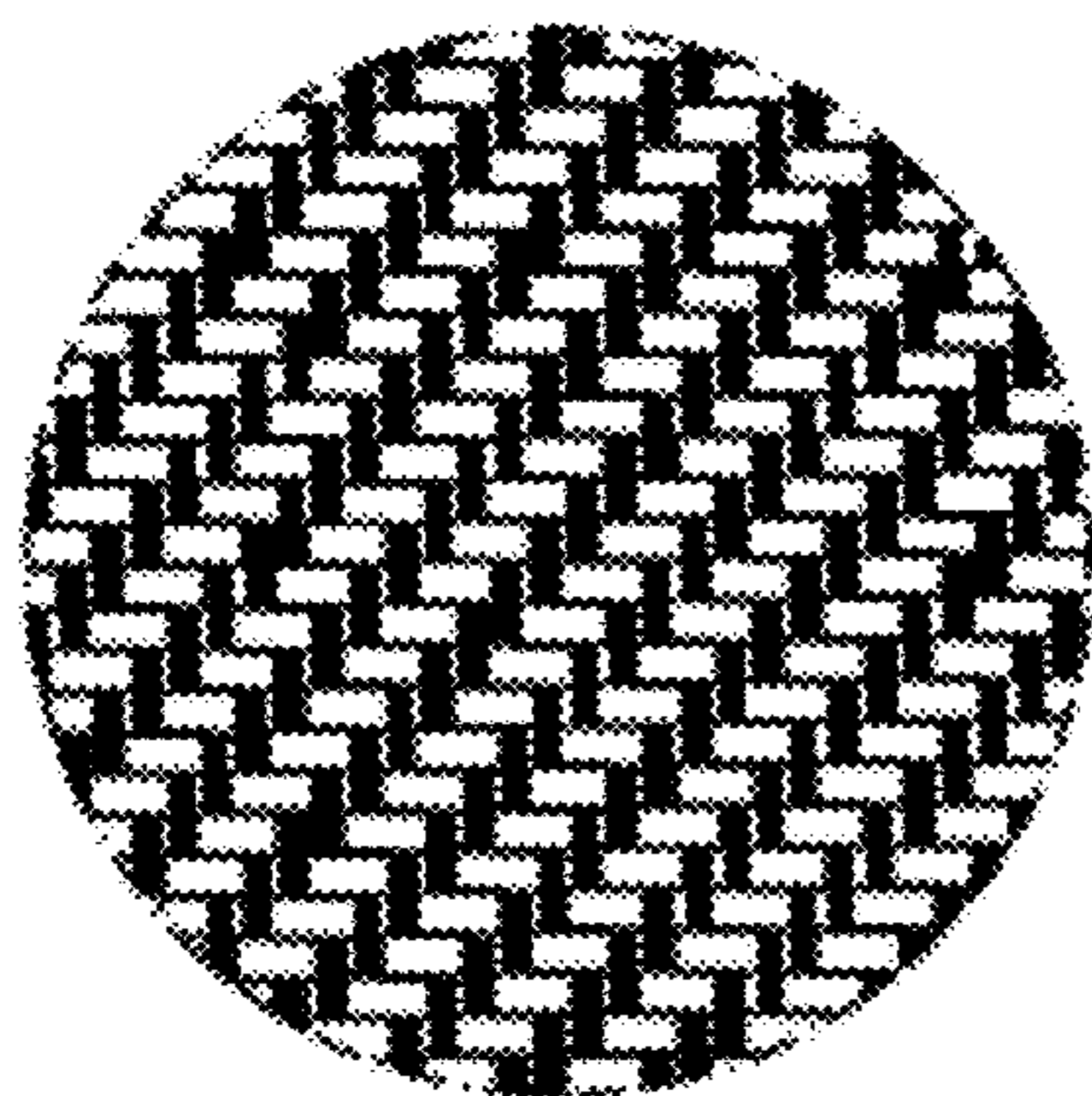
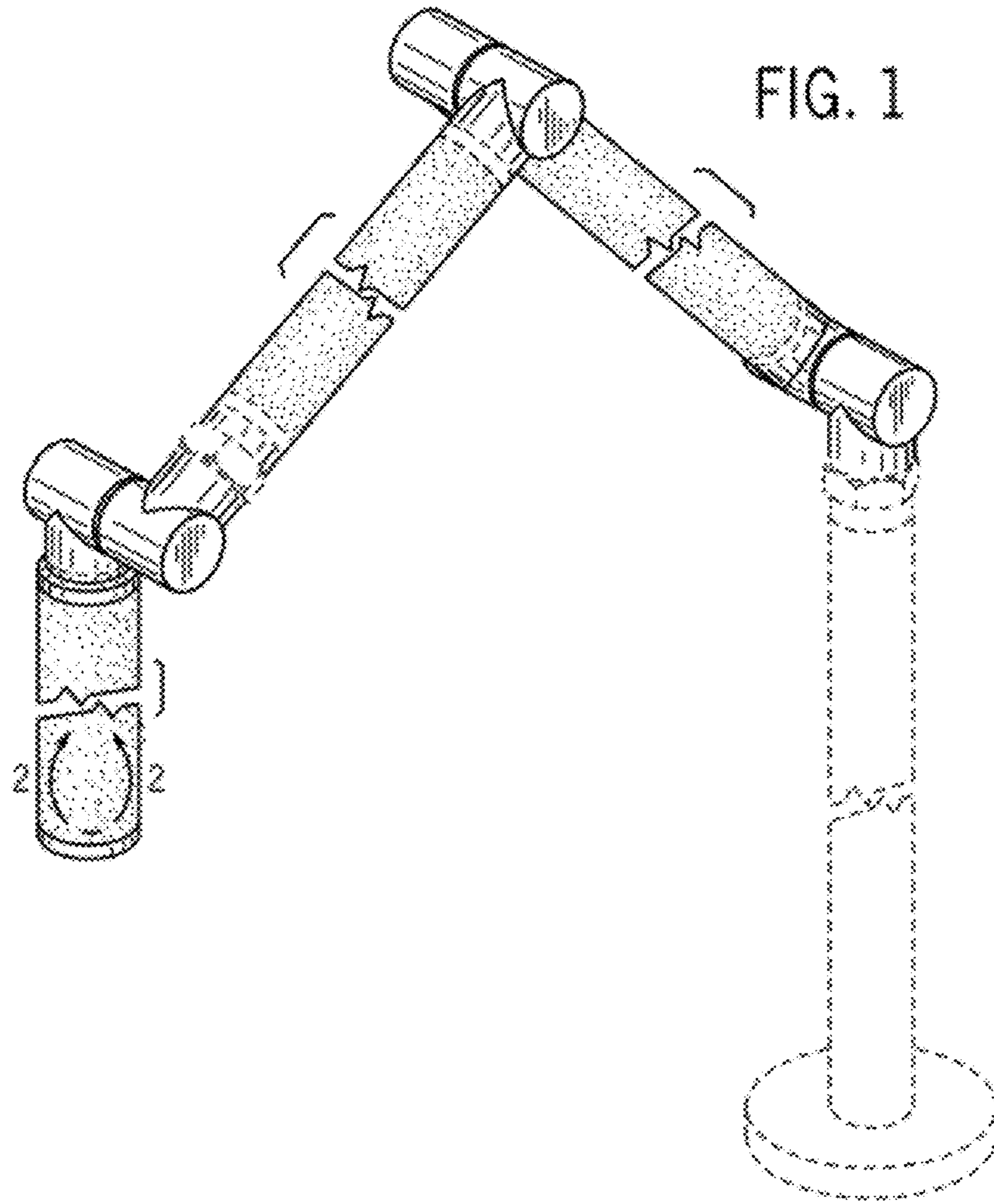


FIG. 2

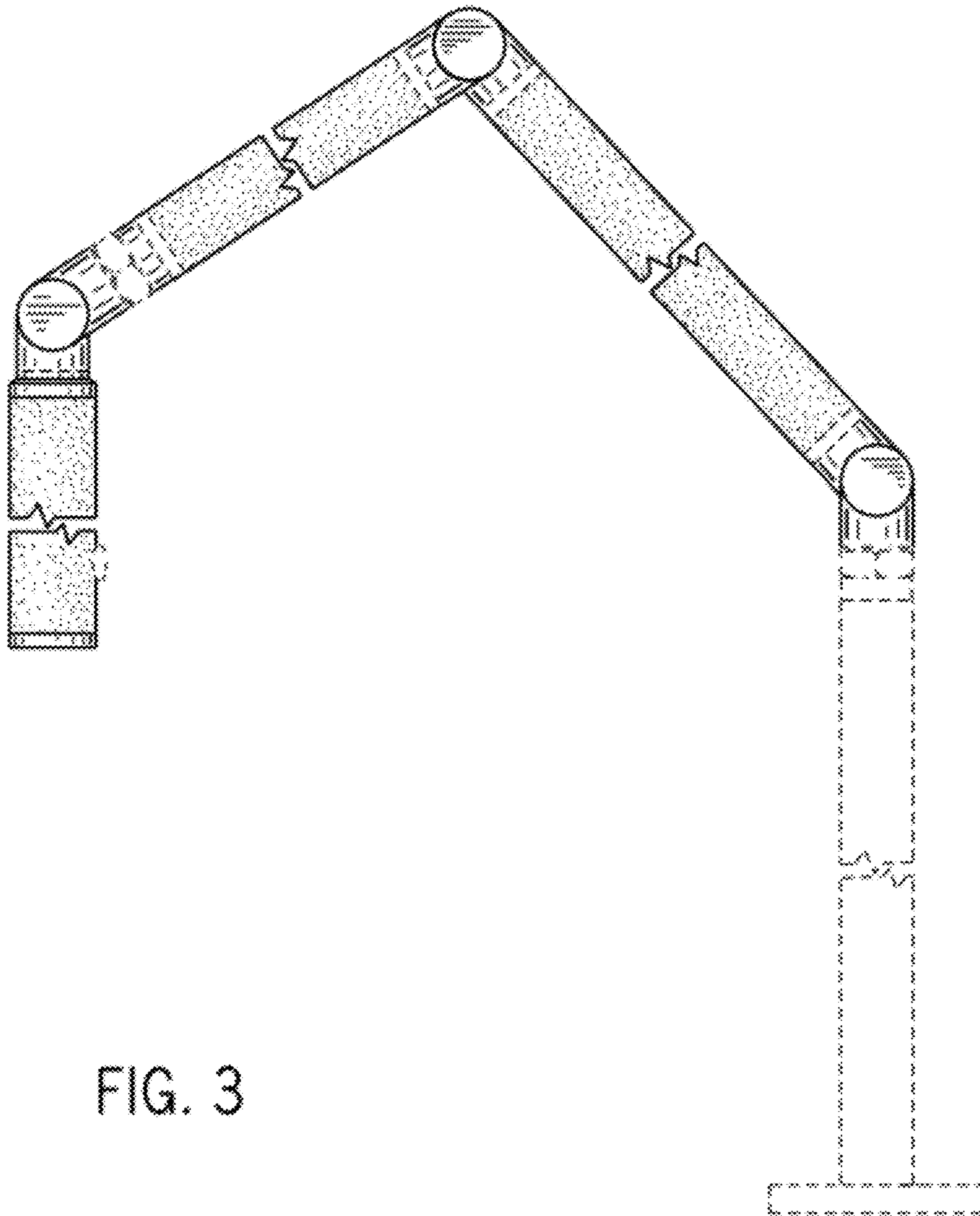
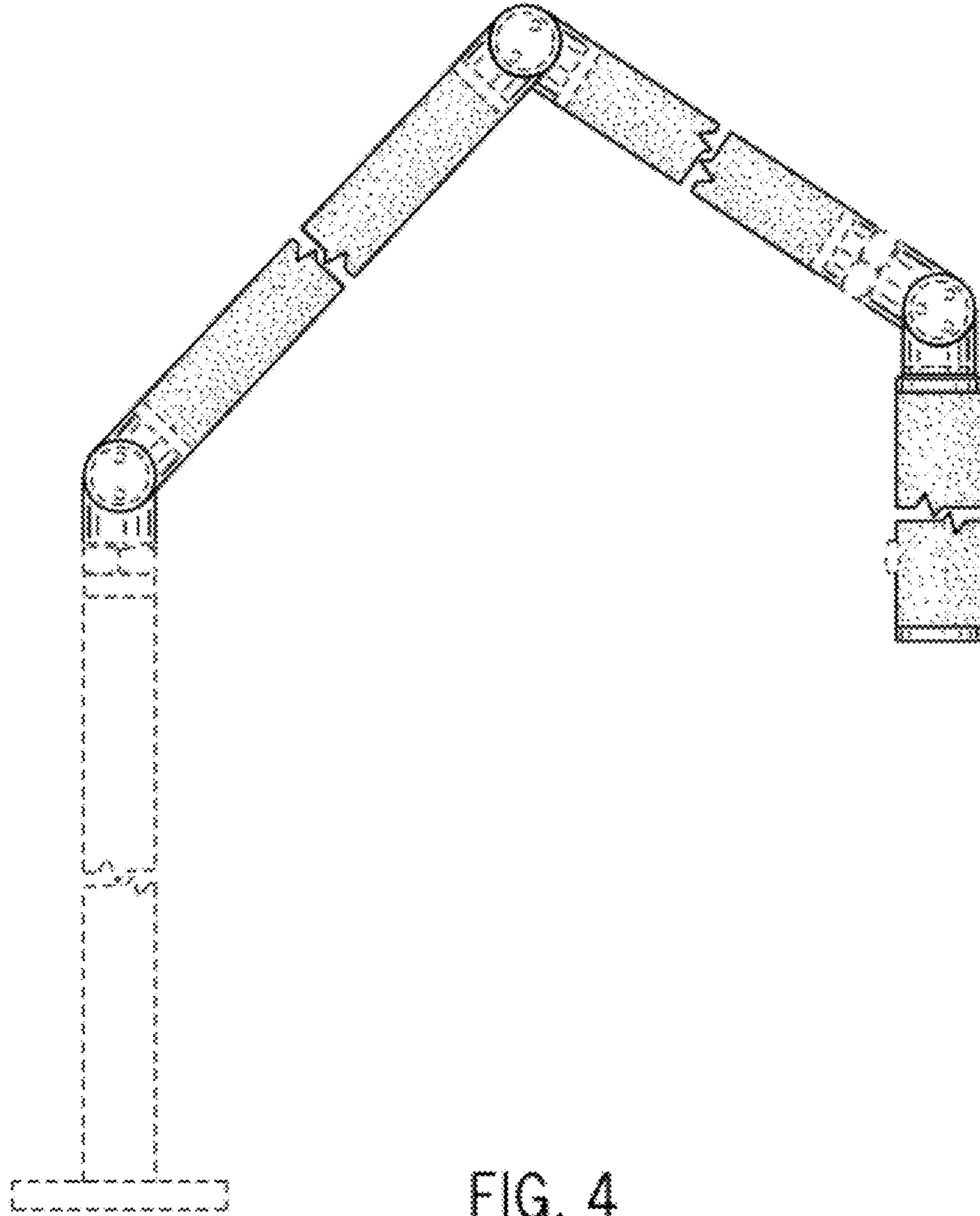


FIG. 3



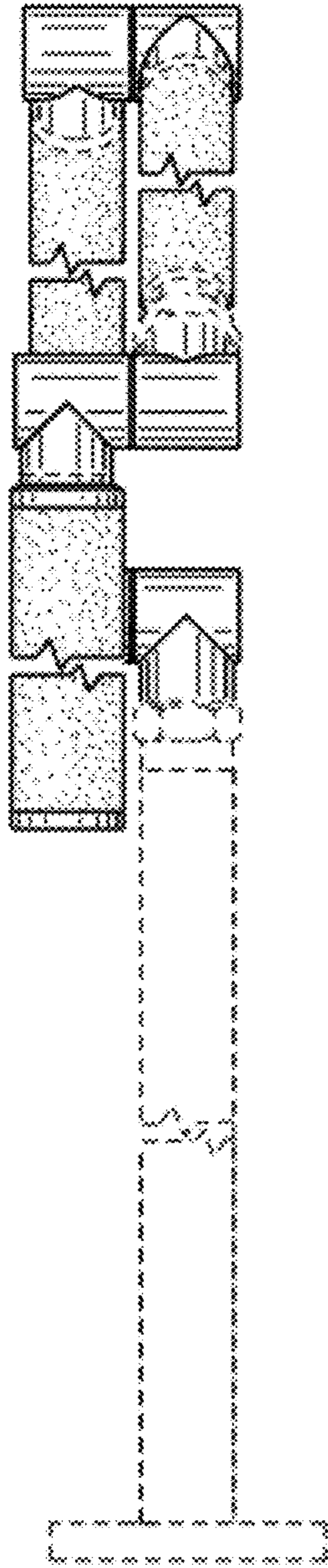


FIG. 5

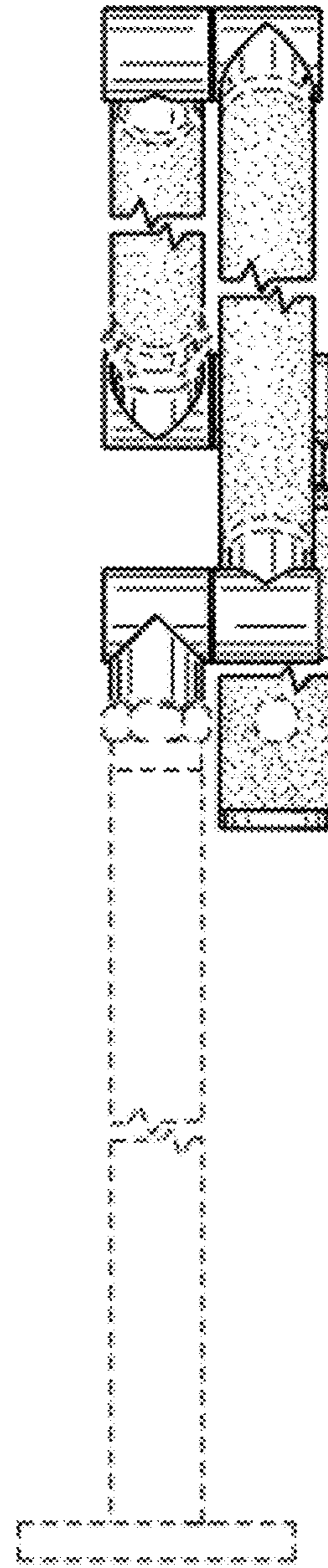


FIG. 6

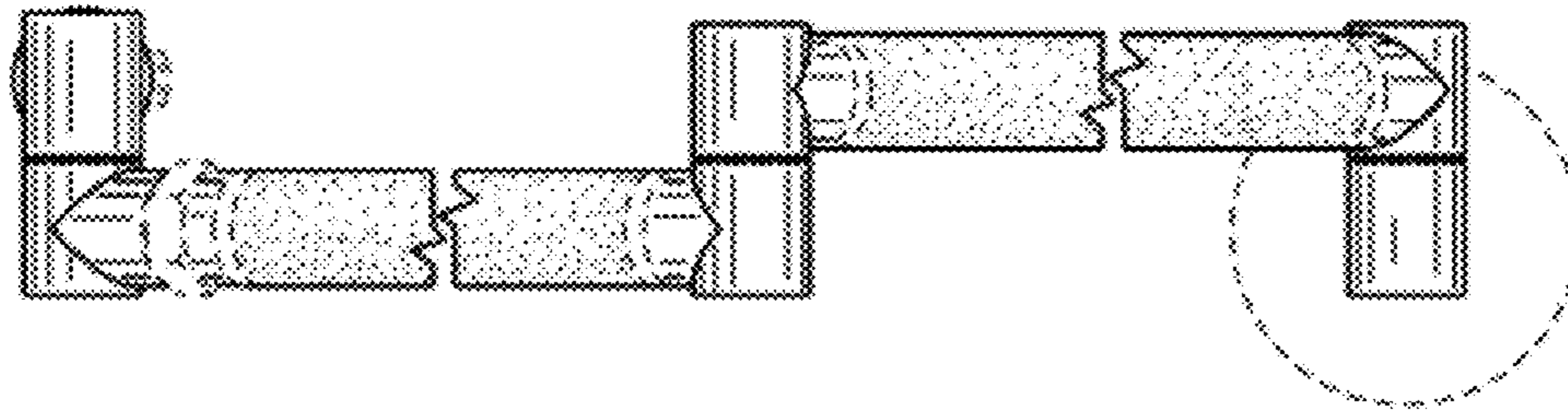


FIG. 7

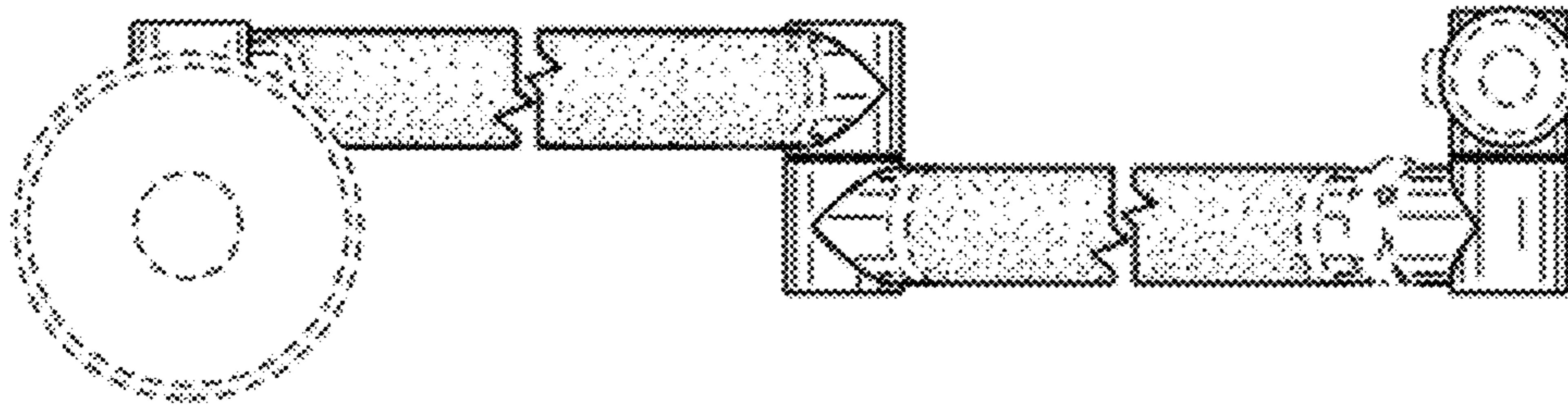


FIG. 8

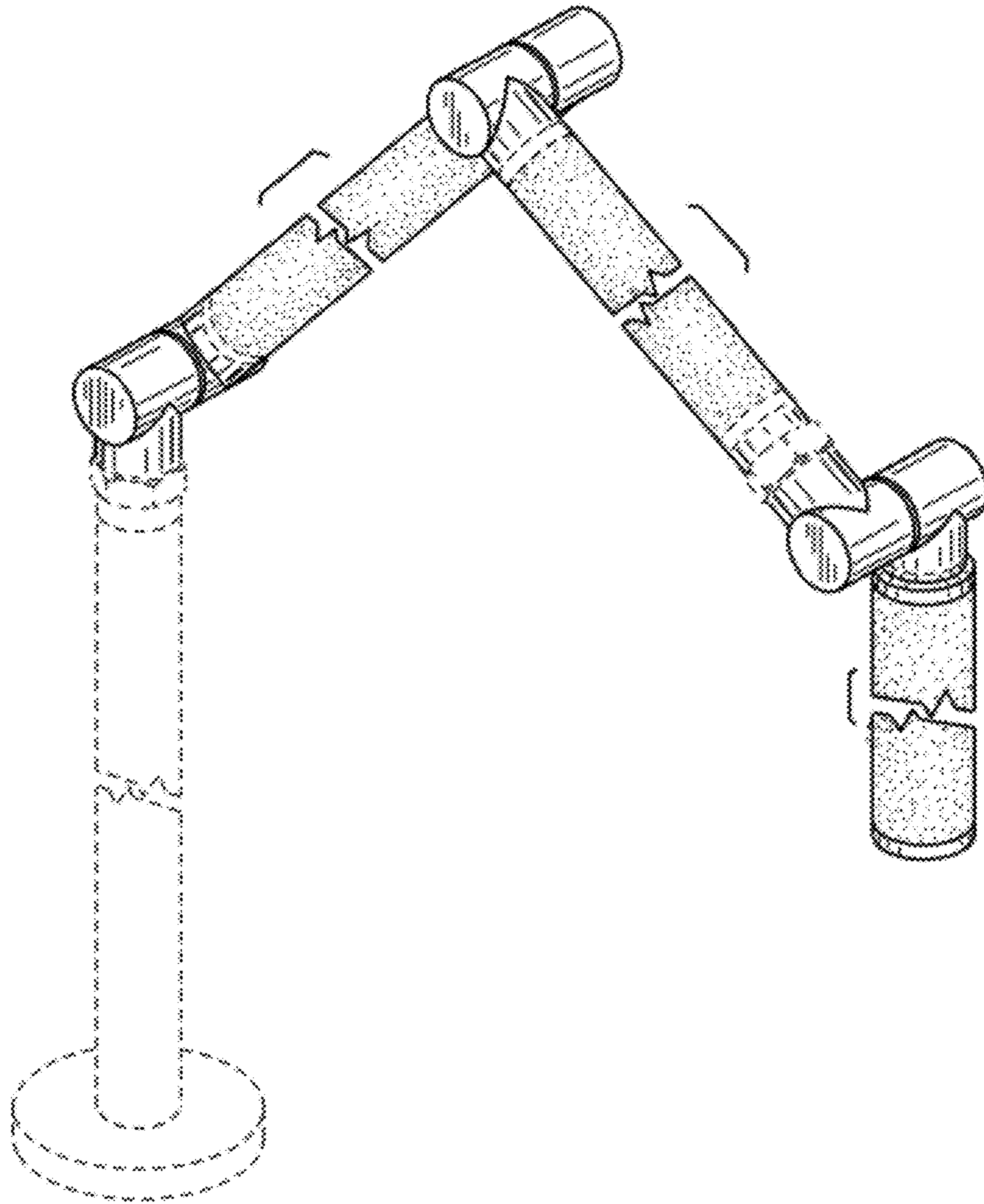


FIG. 9

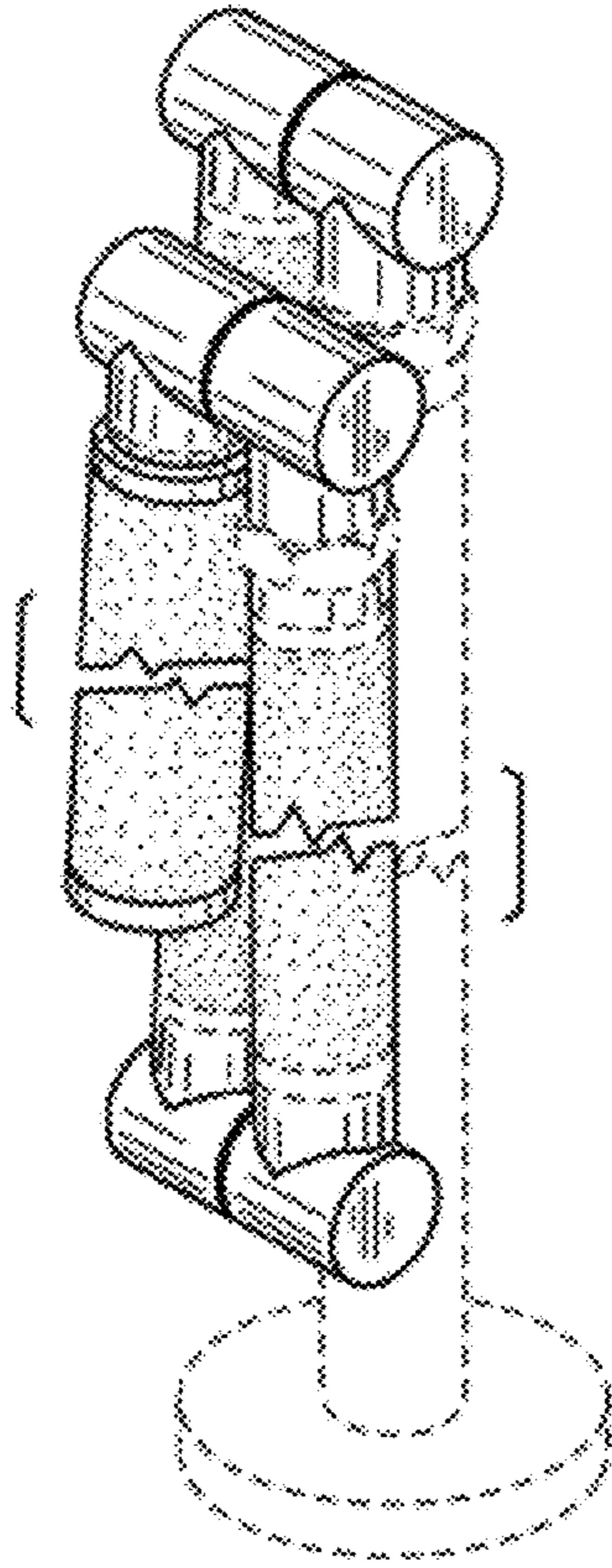


FIG. 10

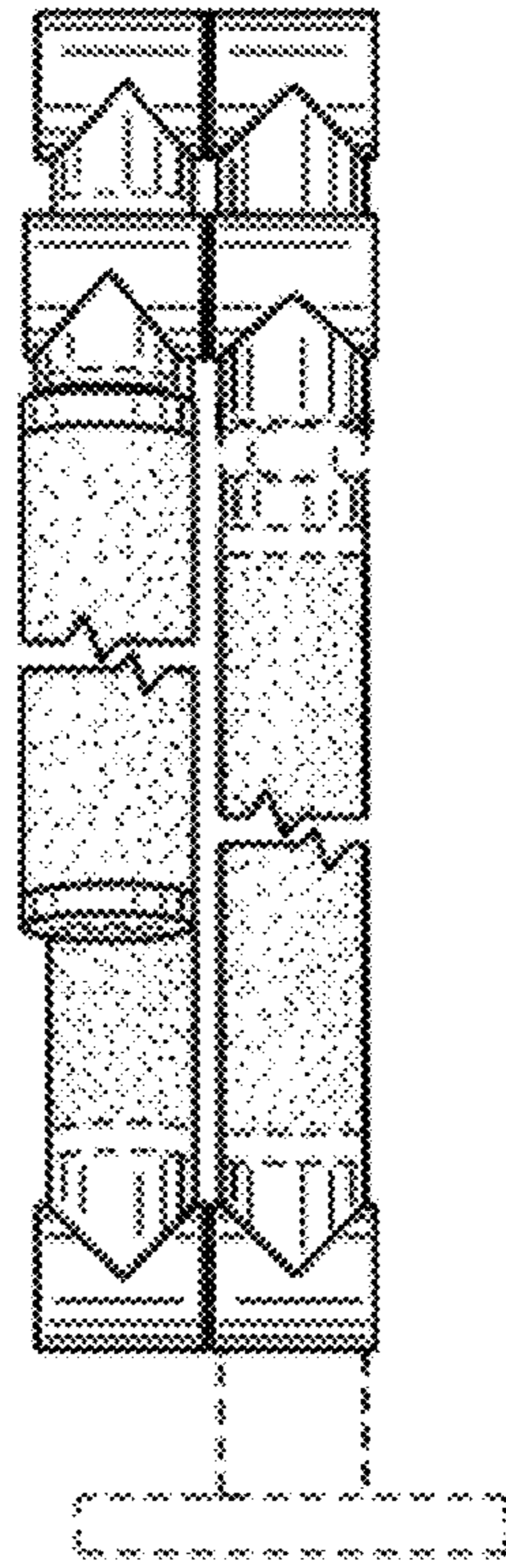


FIG. 11



FIG. 12

FIG. 13

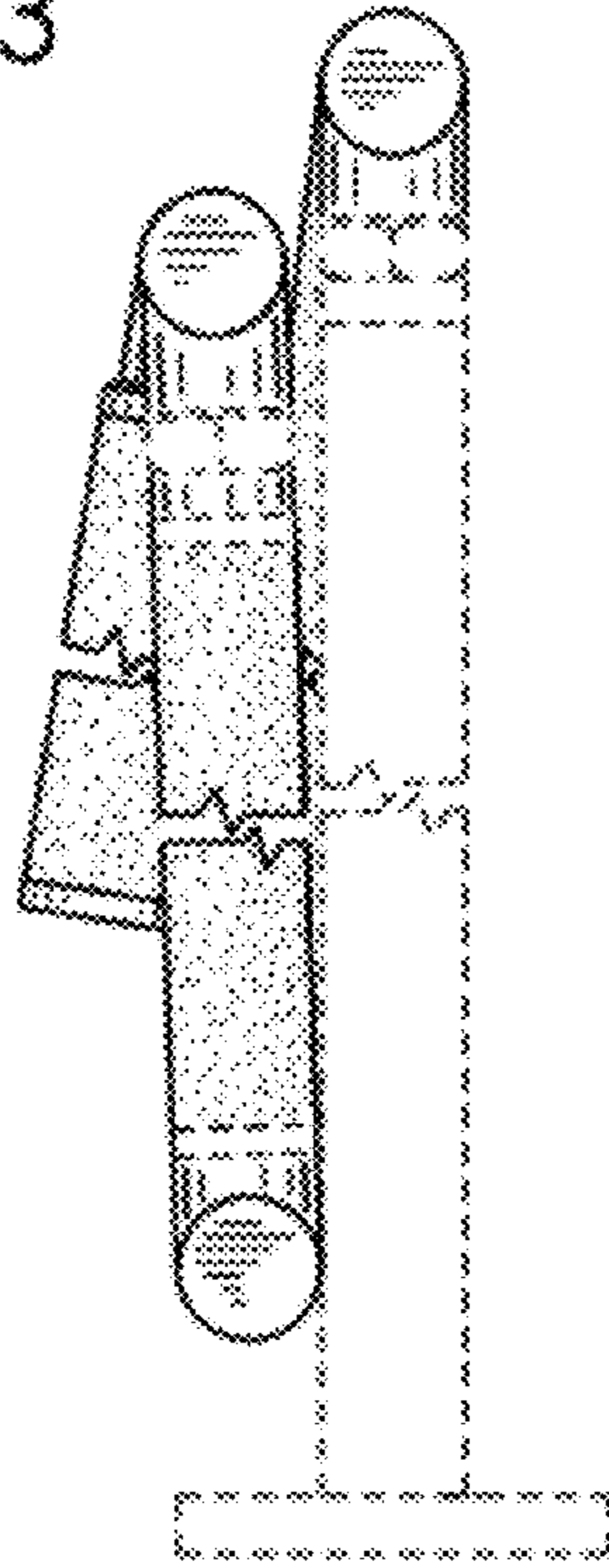


FIG. 14

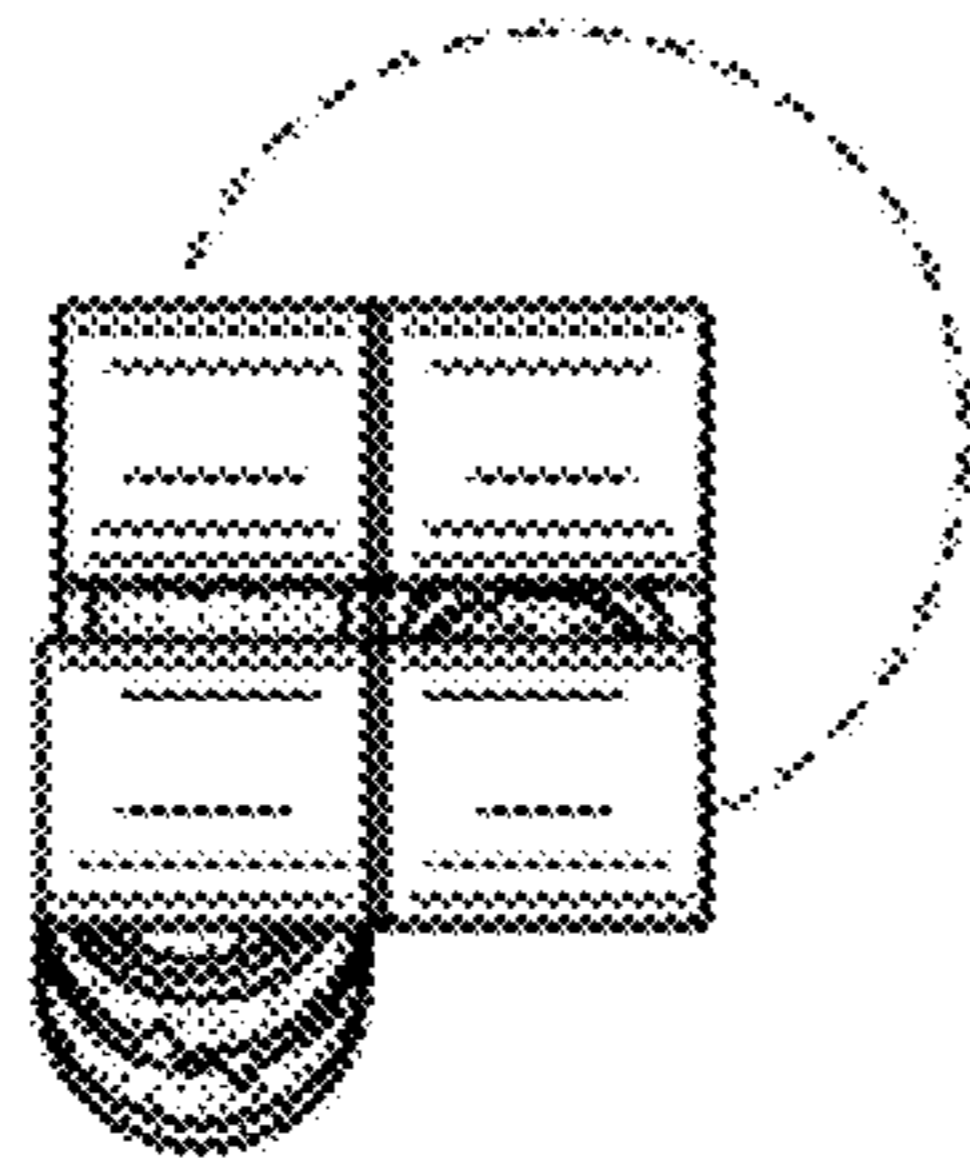
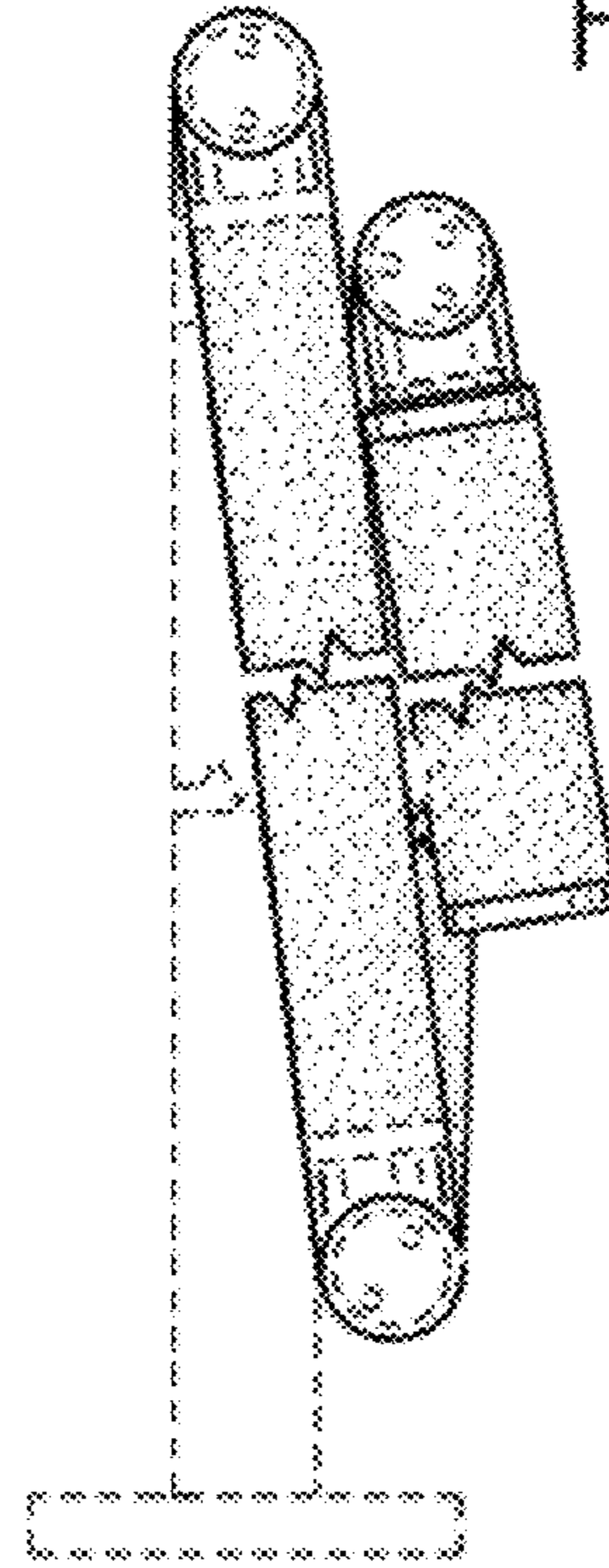


FIG. 15

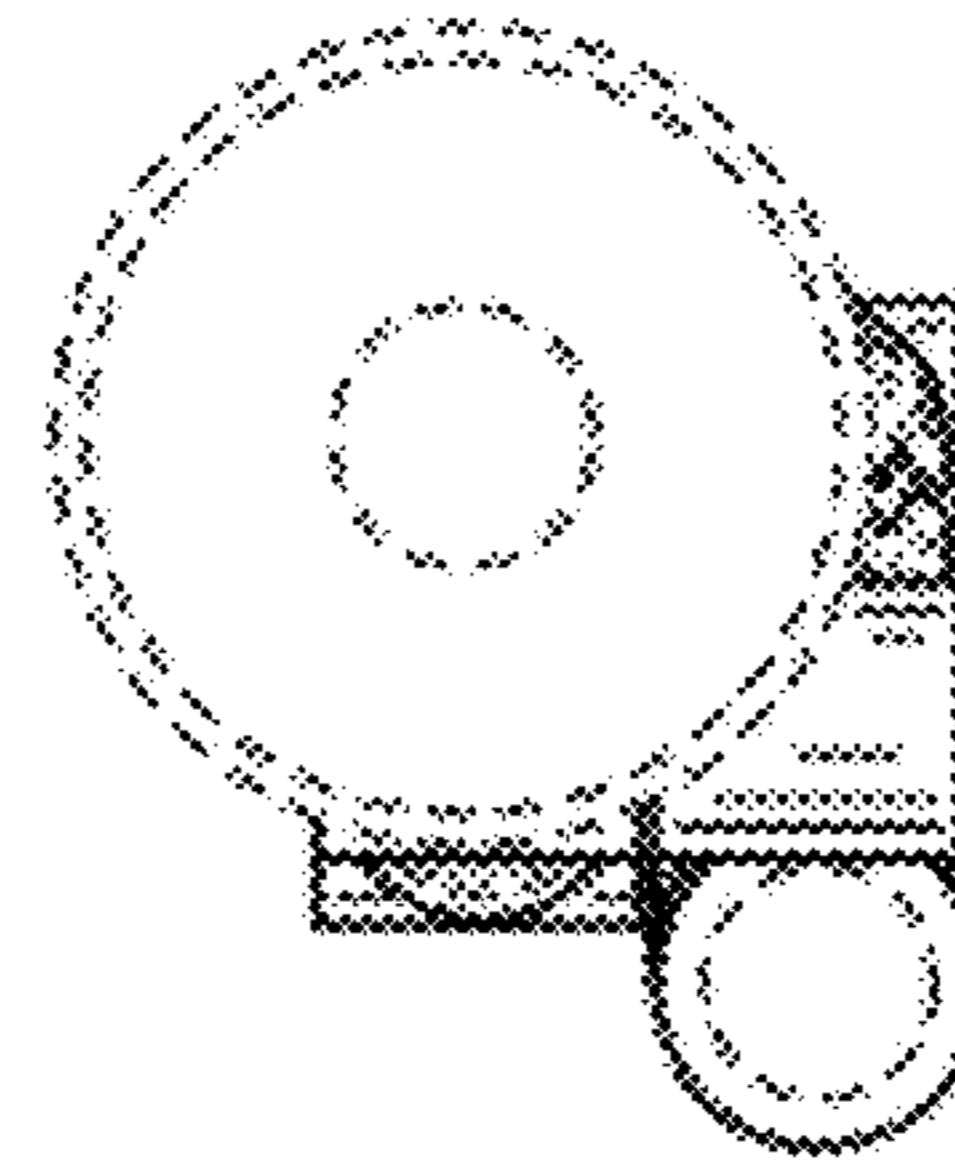


FIG. 16

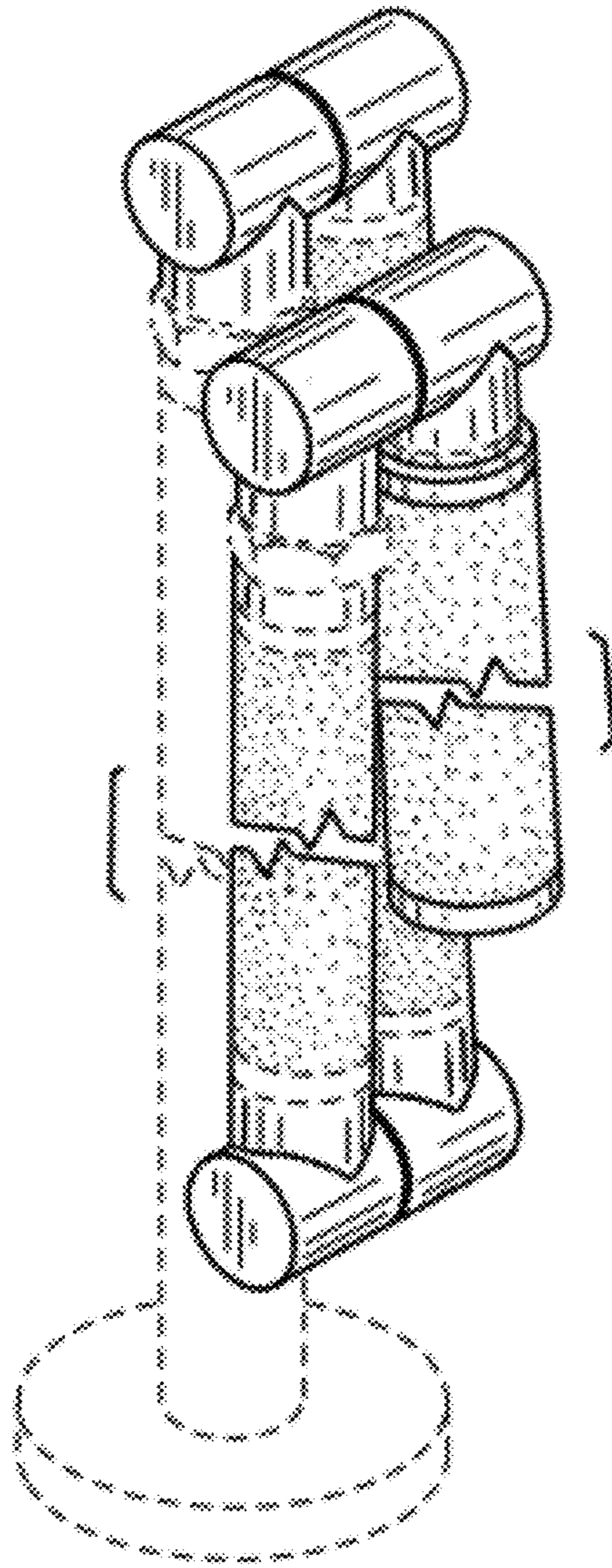


FIG. 17