

US00D661377S

(12) **United States Design Patent**
Vish et al.

(10) **Patent No.:** **US D661,377 S**
(45) **Date of Patent:** **** Jun. 5, 2012**

(54) **FAUCET**

(75) Inventors: **Ron Vish**, West Roxbury, MA (US);
Adam O'Hern, Los Angeles, CA (US)

(73) Assignee: **Sloan Valve Company**, Franklin Park,
IL (US)

(**) Term: **14 Years**

(21) Appl. No.: **29/409,025**

(22) Filed: **Dec. 20, 2011**

Related U.S. Application Data

(63) Continuation of application No. 29/399,391, filed on
Aug. 12, 2001, now Pat. No. Des. 653,733, which is a
continuation of application No. 29/365,415, filed on
Jul. 8, 2010, now Pat. No. Des. 644,719.

(51) **LOC (9) Cl.** **23-01**

(52) **U.S. Cl.** **D23/255**

(58) **Field of Classification Search** D23/41-243,
D23/255, 257; 4/675-678; 137/801
See application file for complete search history.

(56) **References Cited**

U.S. PATENT DOCUMENTS

D360,678 S	7/1995	Mine
D486,560 S	2/2004	Spangler
D503,217 S	3/2005	Aubry et al.
D510,978 S	10/2005	Kulig
D512,125 S	11/2005	Kulig
D526,699 S	8/2006	Kulig
D528,640 S	9/2006	Yoshioka
D530,782 S	10/2006	Starck
D533,639 S	12/2006	Hoernig
D534,619 S	1/2007	Garner
D598,980 S	8/2009	Zetsche et al.
D602,123 S	10/2009	Sieger
D613,822 S	4/2010	Hanna
D615,163 S	5/2010	Sieger
D634,402 S	3/2011	Zetsche et al.

OTHER PUBLICATIONS

“Super Nova Bathroom Hardware by Dornbracht,” <http://www.furniturestoreblog.com/image/2009/04/bath%20faucets.jpg>, 13 pages, Sep. 17, 2009.

“Sensibilité,” Lulu Dornbracht, brochure, Iserlohn, Germany, 22 pages, no date available.

“Electronic Faucet K-13466,” product specification, Kohler Faucets, 2 pages, no date available.

“Geometric Touchless™ Deck-Mounted Faucet—K-13467,” Kohler Co., Kohler Wisconsin, http://www.us.kohler.com/onlinecatalog/print.jsp?item=13979202&prod_num=13467&category=, 1 page, Sep. 15, 2009.

“Moen 90 Degree T6720 Chrome Two Handle Low Arc Bathroom Faucet,” <http://designerplumbingoutlet.com/mot6720.html>, 7 pages, Sep. 17, 2009.

“Manhattan—G-3300,” http://www.graff-faucets.com/vera/pictures/Manhattan-G-3300_A_scaled.jpg, Graff, Milwaukee, Wisconsin, 1 page, Sep. 18, 2009.

“Eco-G-3200,” http://www.graff-faucets.com/vera/pictures/Eco-G-3200_A_scaled.jpg, Graff, Milwaukee, Wisconsin, 1 page, Sep. 17, 2009.

(Continued)

Primary Examiner — Robert Delehanty

(74) *Attorney, Agent, or Firm* — Foley & Lardner LLP

(57)

CLAIM

We claim the ornamental design for a faucet, as shown and described.

DESCRIPTION

FIG. 1 is a perspective view of a faucet showing our new design;

FIG. 2 is a left side view thereof;

FIG. 3 is a right side view thereof;

FIG. 4 is a front view thereof;

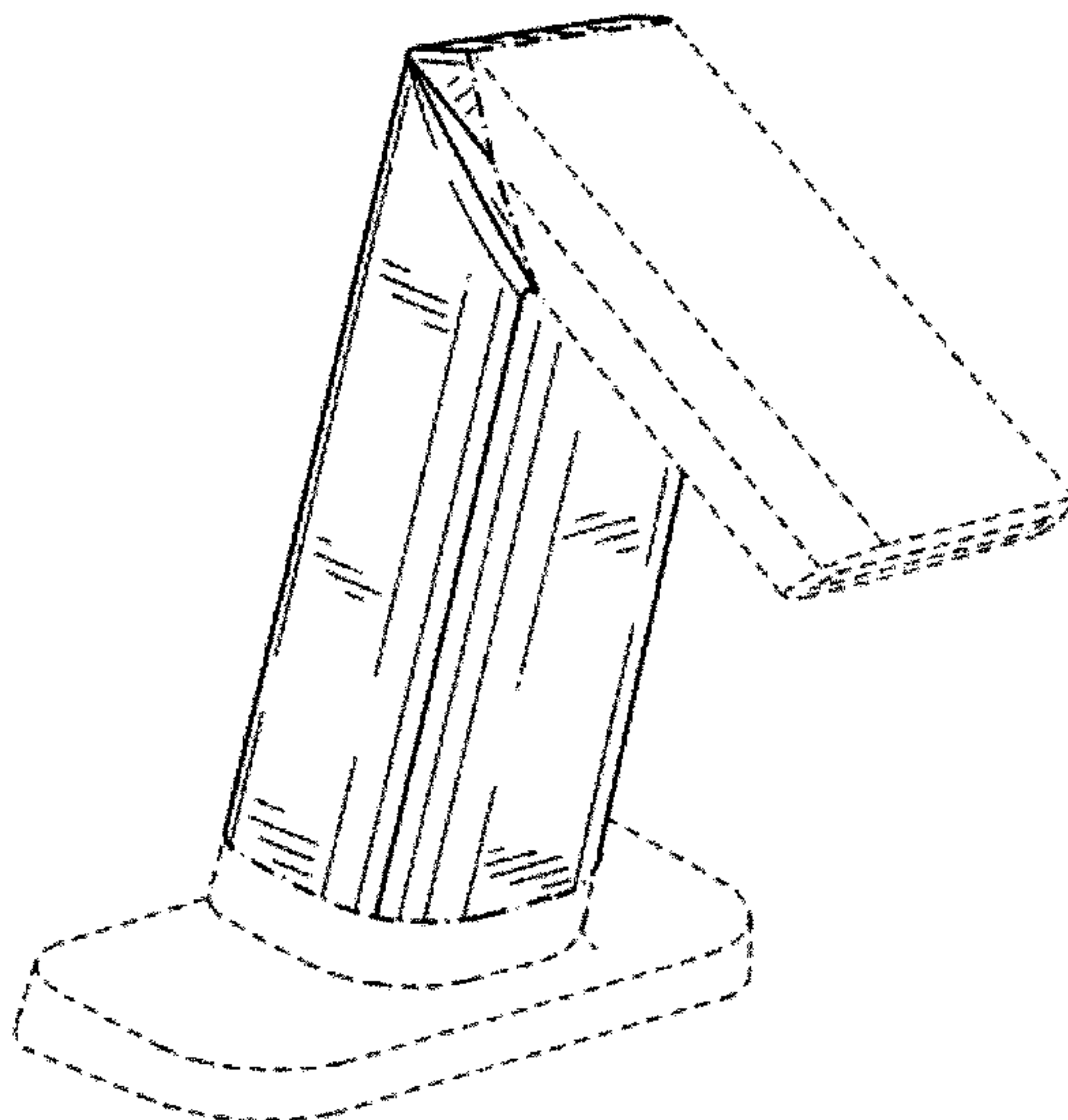
FIG. 5 is rear view thereof;

FIG. 6 is a top view thereof; and,

FIG. 7 is a bottom view thereof.

The broken lines shown are for illustrative purposes only and form no part of the claimed design.

1 Claim, 4 Drawing Sheets



OTHER PUBLICATIONS

“Stealth—G-2200,” http://www.graff-faucets.com/vera/pictures/Stealth-G-2200_A_scaled.jpg, Graff, Milwaukee, Wisconsin, 1 page, Sep. 17, 2009.

“Supernova,” Dornbracht Americas inc., brochure, 37 pages, no date available.

“[Royal Toto] Toto Royal Exclusive Automatic Faucets sinks/RLE700A/RLE710A/self-development faucet/automatic faucet/eco-friendly products,” Royal Toto, Co. Ltd, Korea, [http://translate.googleusercontent.com/translate_c?hl=en&sl=ko&u=http://english.gmarket . . .](http://translate.googleusercontent.com/translate_c?hl=en&sl=ko&u=http://english.gmarket...), 8 pages, Jun. 16, 2010.

“Royal Toto,” www.royaltoto.co.kr, brochure, 10 pages, no date available.

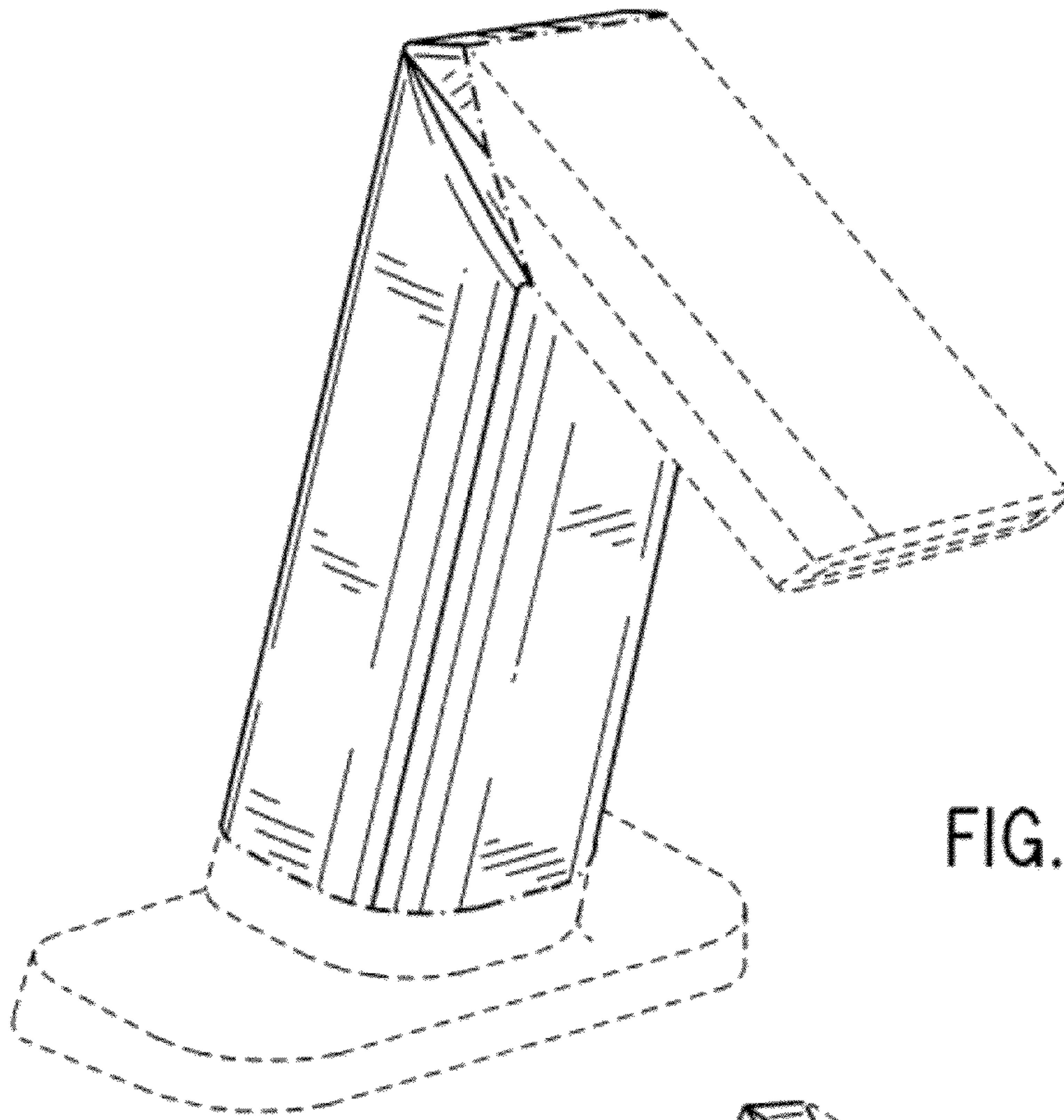


FIG. 1

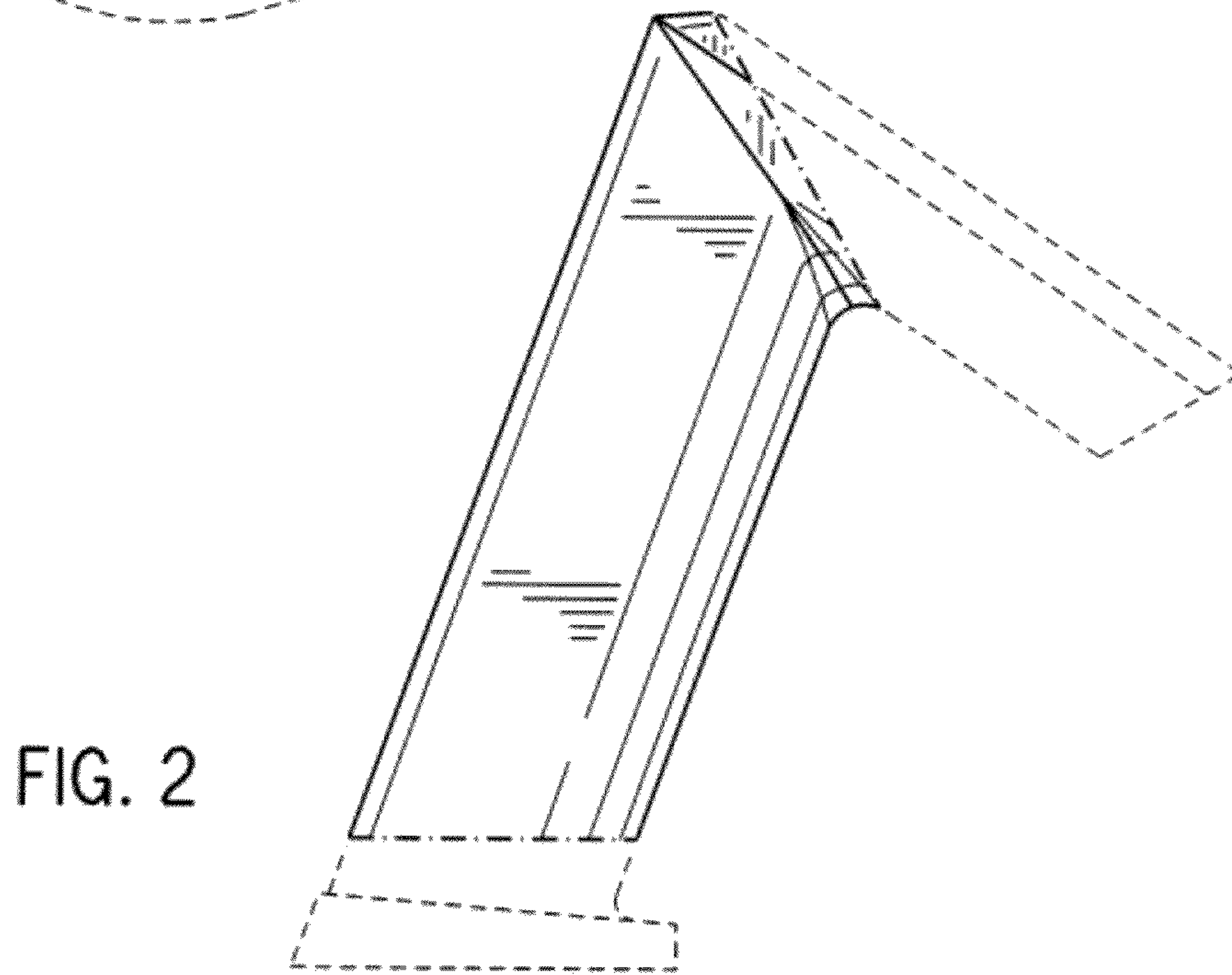


FIG. 2

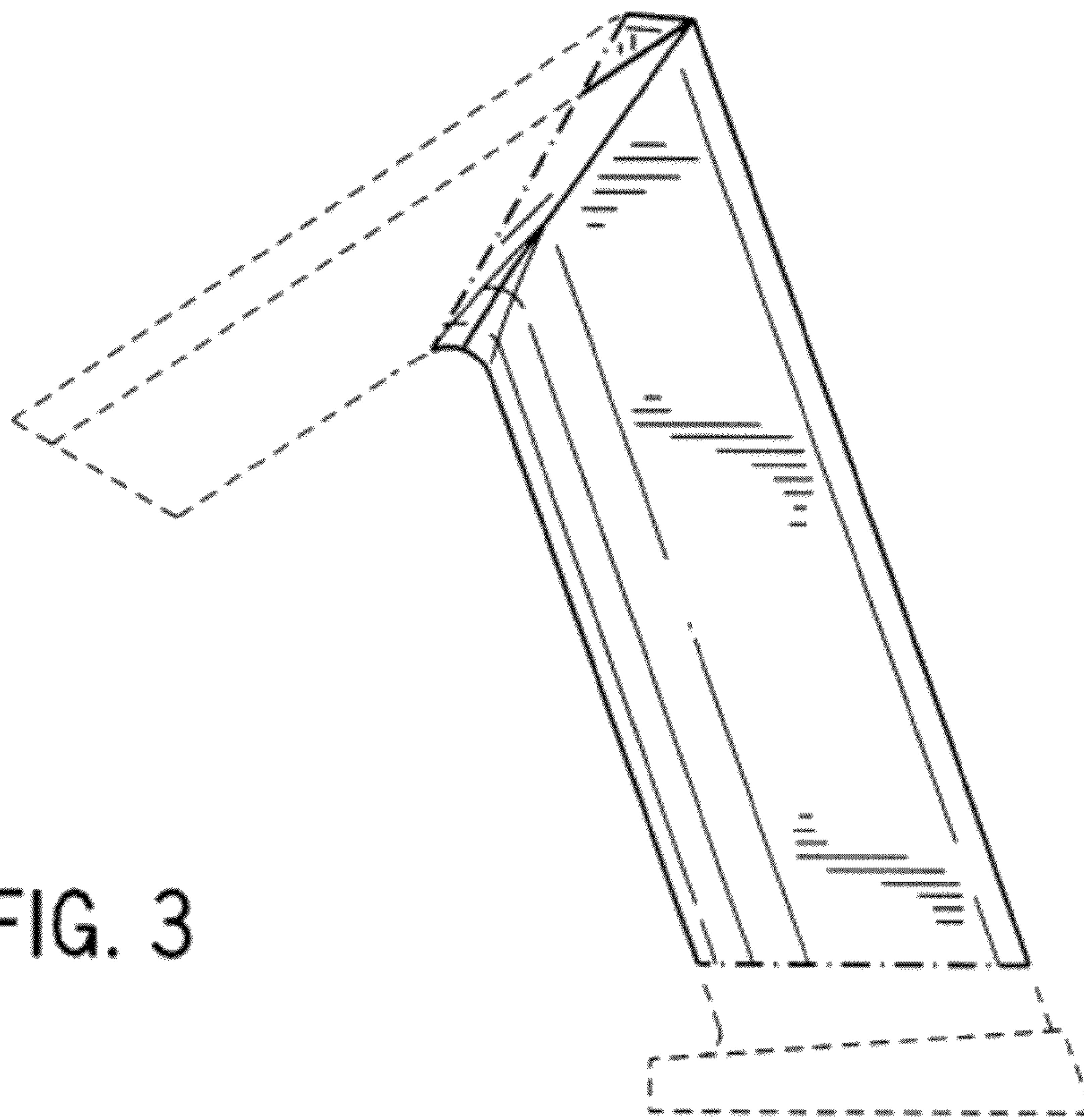


FIG. 3

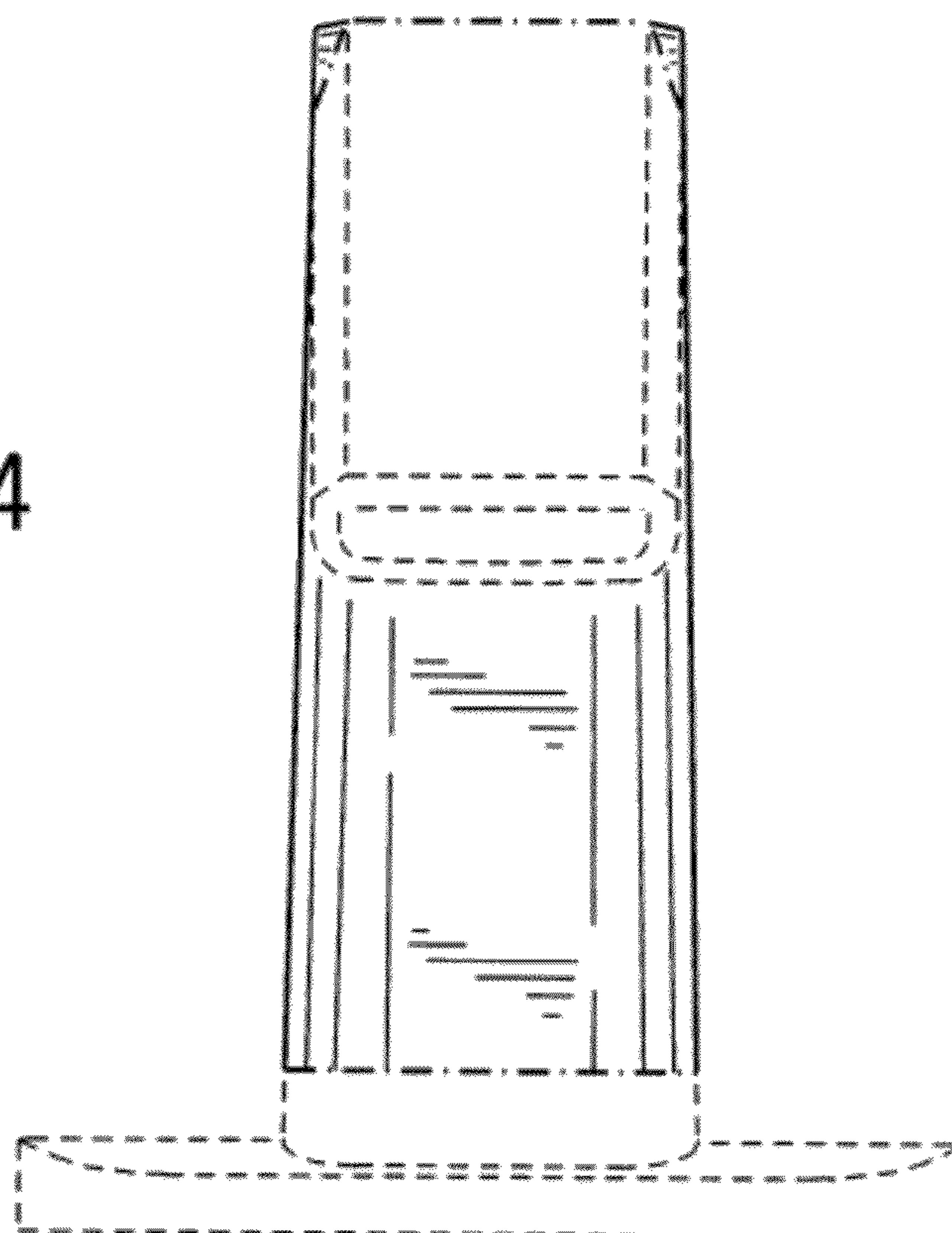


FIG. 4

FIG. 5

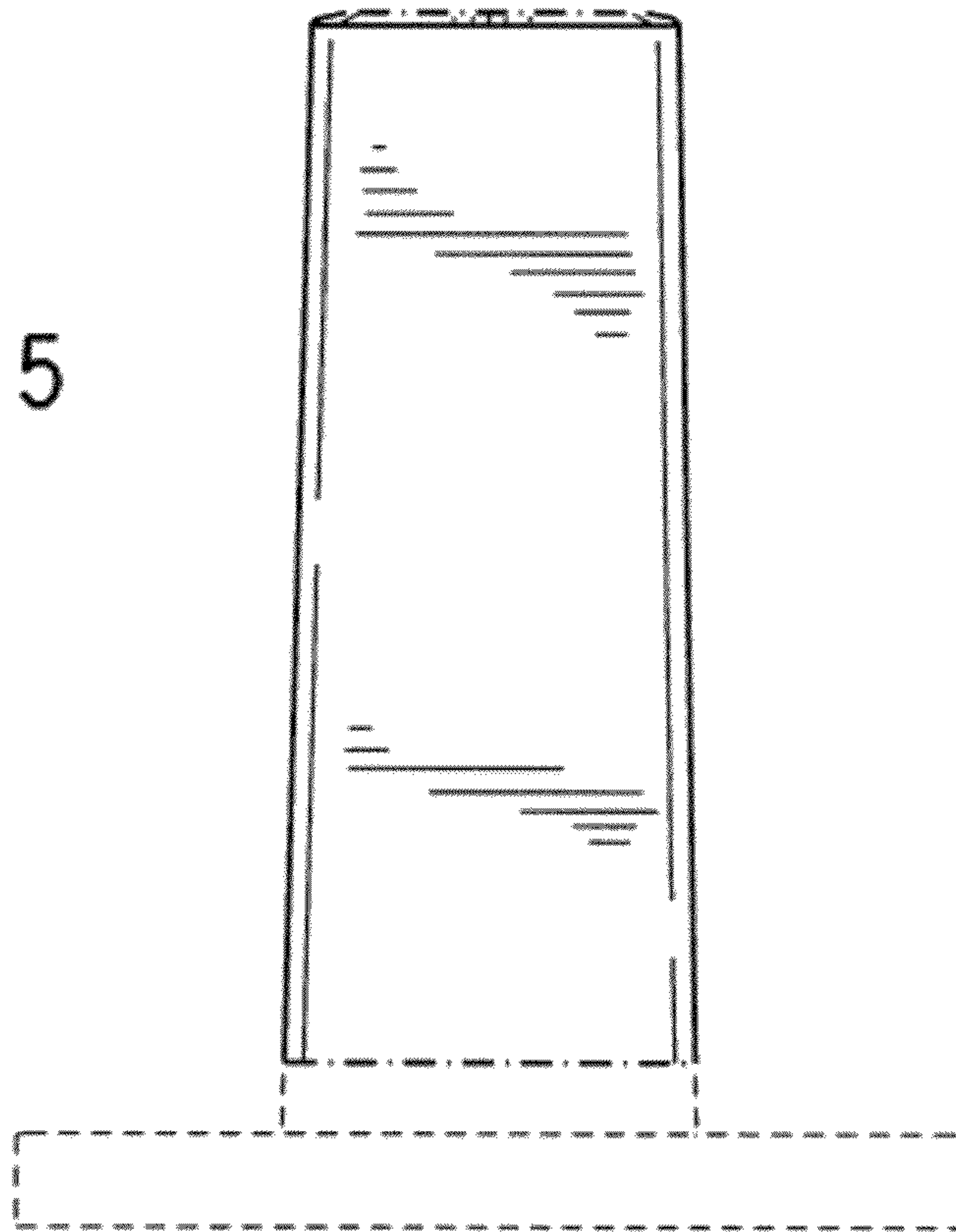
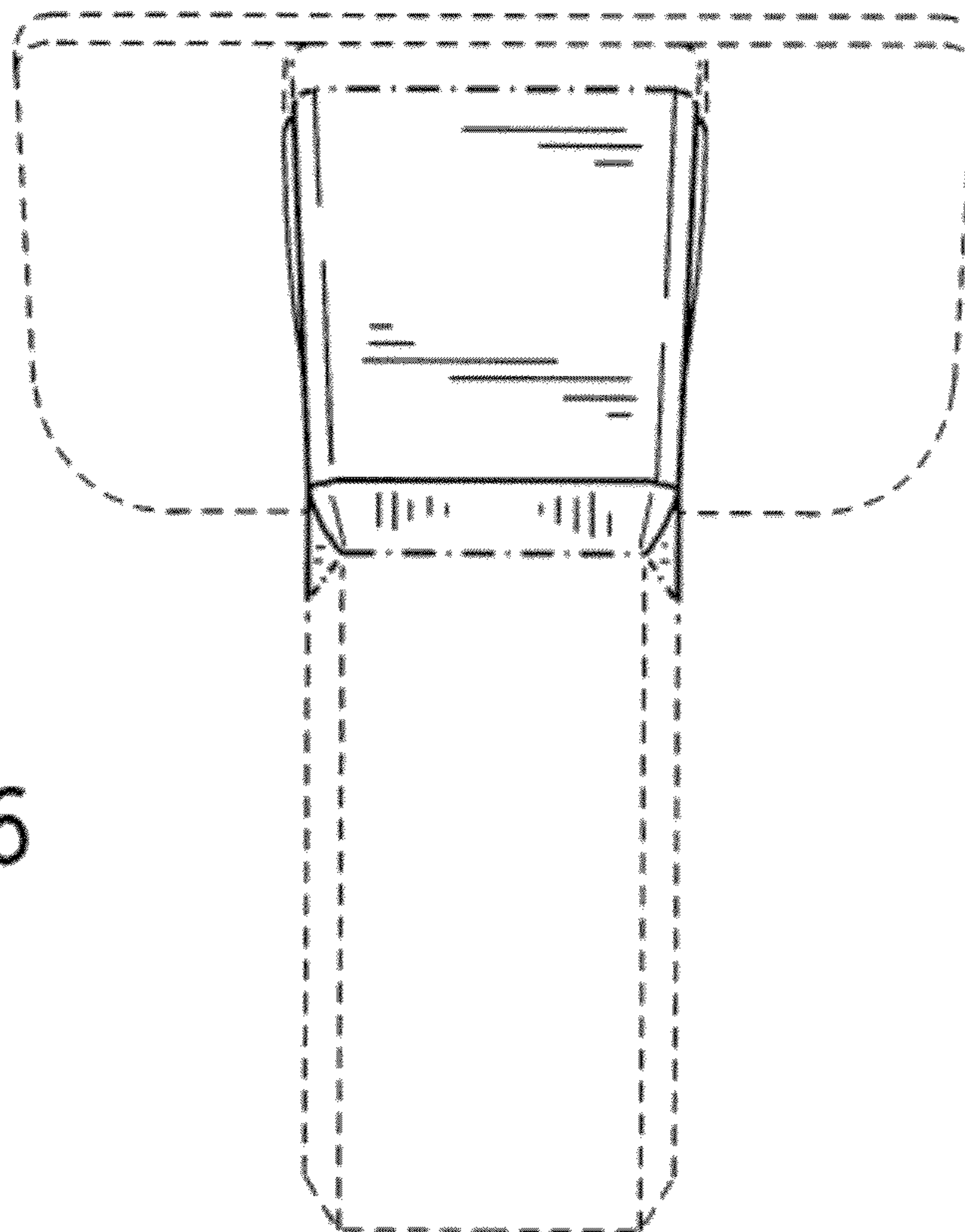


FIG. 6



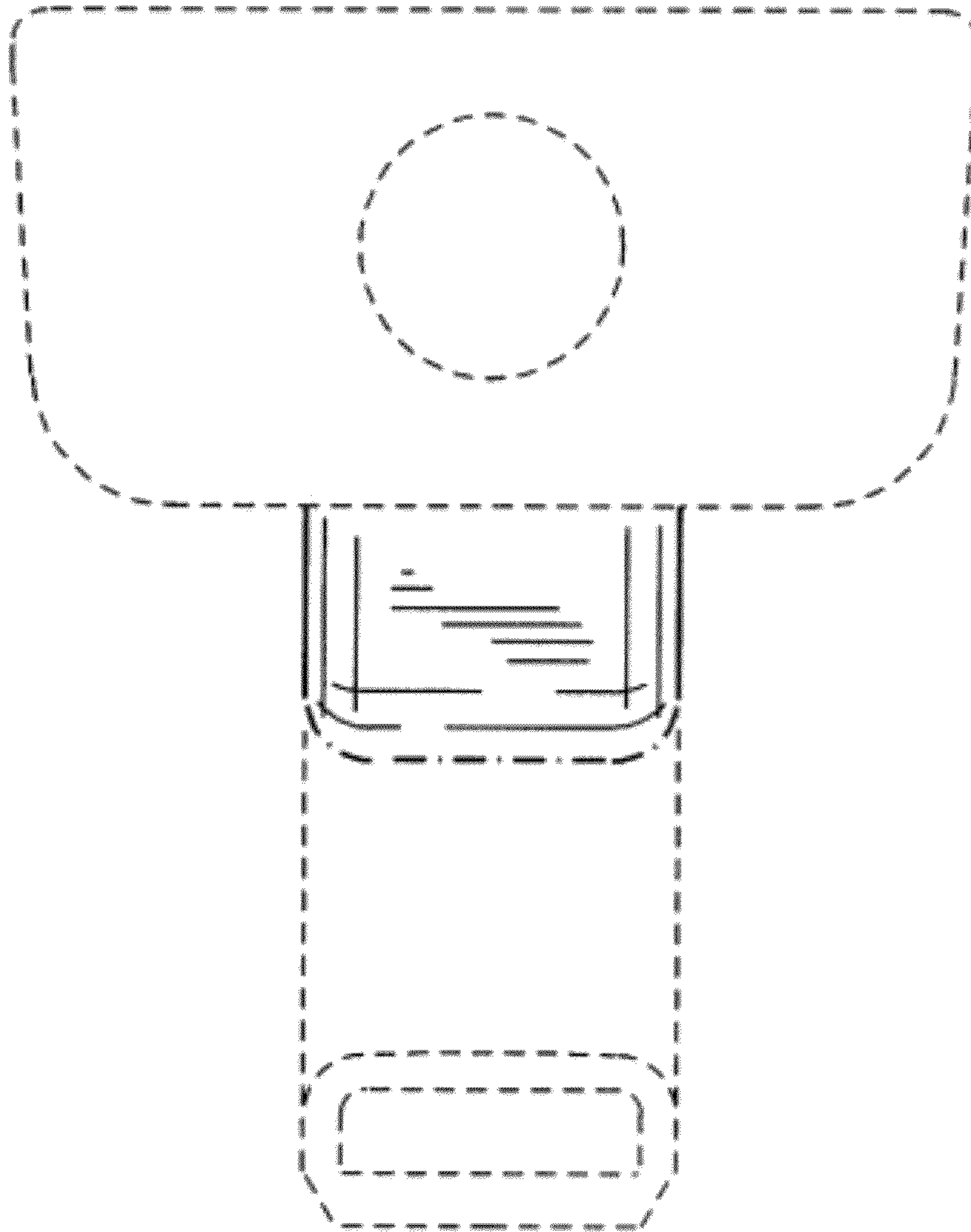


FIG. 7