



US00D661375S

(12) **United States Design Patent**
Citterio

(10) **Patent No.:** **US D661,375 S**
(45) **Date of Patent:** **** Jun. 5, 2012**

(54) **FAUCET HANDLE**

(75) Inventor: **Antonio Citterio**, Milan (IT)

(73) Assignee: **Hansgrohe AG**, Schiltach (DE)

(**) Term: **14 Years**

(21) Appl. No.: **29/392,054**

(22) Filed: **May 17, 2011**

(30) **Foreign Application Priority Data**

Nov. 26, 2010 (EM) 001247050-0003

(51) **LOC (9) Cl.** **23-02**

(52) **U.S. Cl.** **D23/252**

(58) **Field of Classification Search** D23/238-242,
D23/250-252; 4/675-678; 137/801
See application file for complete search history.

(56) **References Cited**

U.S. PATENT DOCUMENTS

D388,158 S * 12/1997 Doughty et al. D23/238
D579,081 S * 10/2008 Ziemann et al. D23/238
D628,277 S * 11/2010 Montgomery D23/252

OTHER PUBLICATIONS

Brochure—The Nobli Collection, 4 pgs., Carlo Nobili SpA Rubinet-
terie, Borgamanero, Italy (at least as early as Sep. 29, 2009).

Brochure—3 pgs., ZP7212, ZP7329, ZP7110, ZP7037, Zucchetti
Rubinetteria S.p.A., Gozzano, Italy (at least as early as Sep. 27, 2005).

* cited by examiner

Primary Examiner — Robert Delehanty

(74) *Attorney, Agent, or Firm* — Nirav D. Parikh; Lora J.
Graentzdoerffer; Edgar A. Zarins

(57) **CLAIM**

The ornamental design for a faucet handle, as shown and
described.

DESCRIPTION

FIG. 1 is a perspective view of a faucet handle showing my
design;

FIG. 2 is a front elevational view thereof;

FIG. 3 is a rear elevational view thereof;

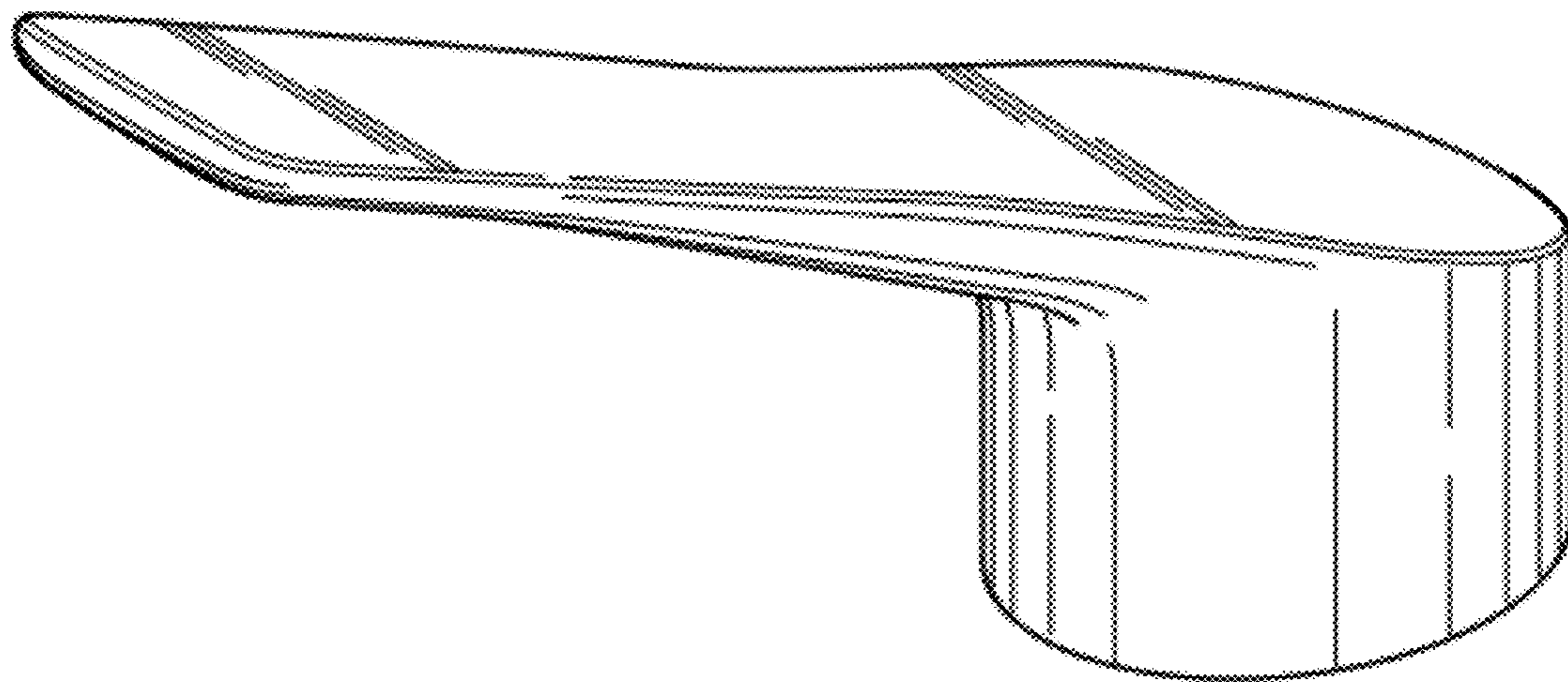
FIG. 4 is a left side elevational view thereof; the right side
elevational view being a mirror image thereof;

FIG. 5 is a top plan view thereof; and,

FIG. 6 is a bottom plan view thereof.

The broken-line disclosure in the views represents portions of
the article in which the claimed design is embodied, but which
form no part of the claimed design.

1 Claim, 6 Drawing Sheets



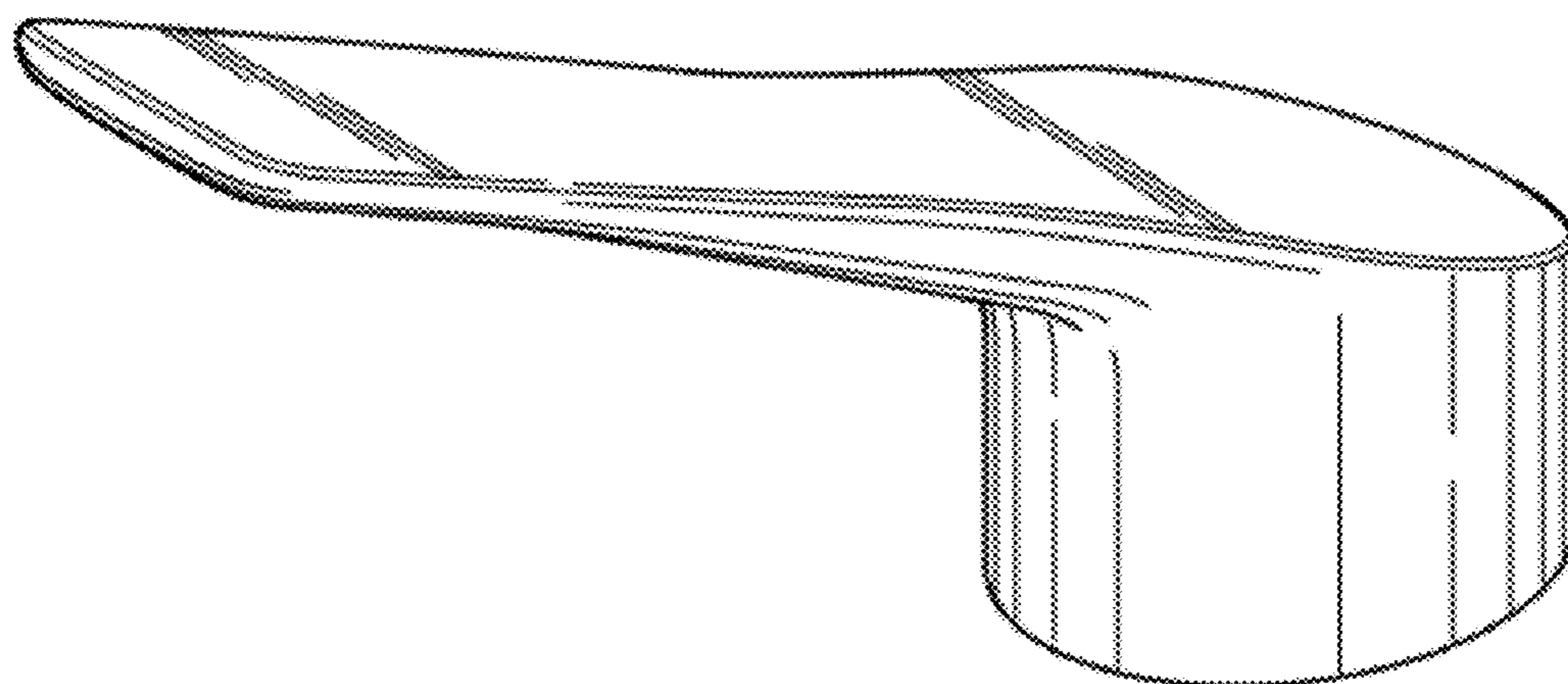


FIG. 1

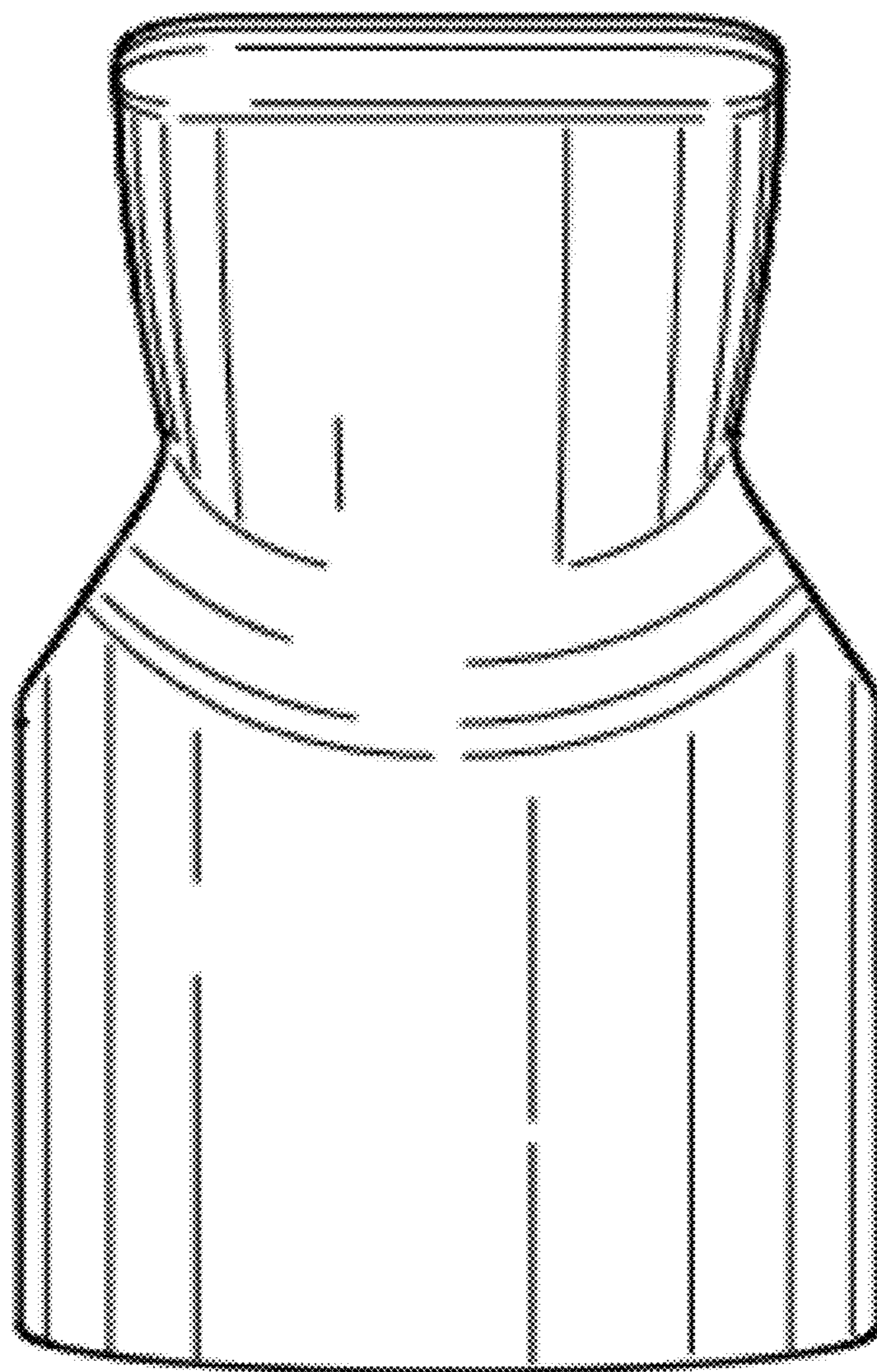


FIG. 2

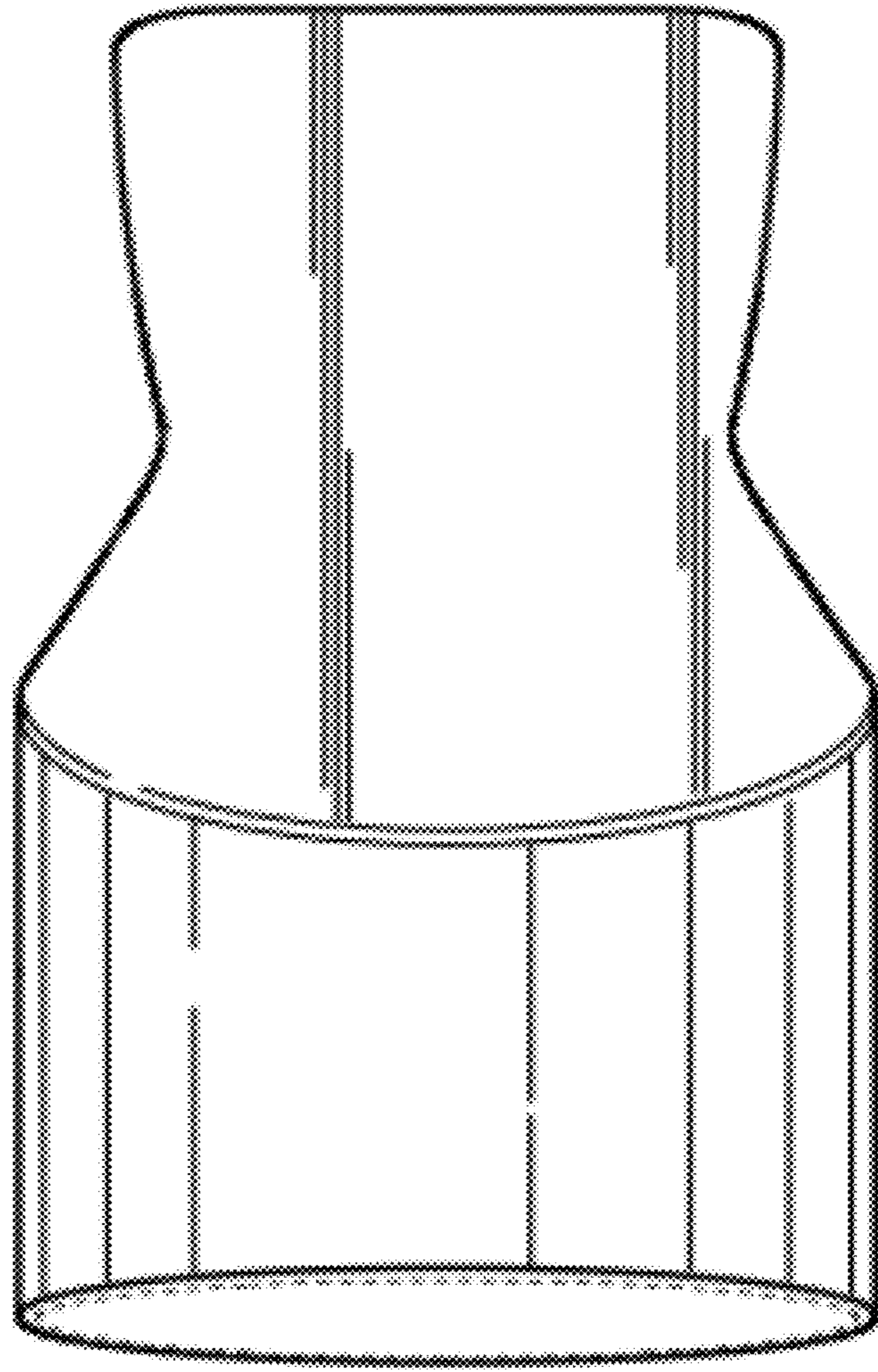


FIG. 3

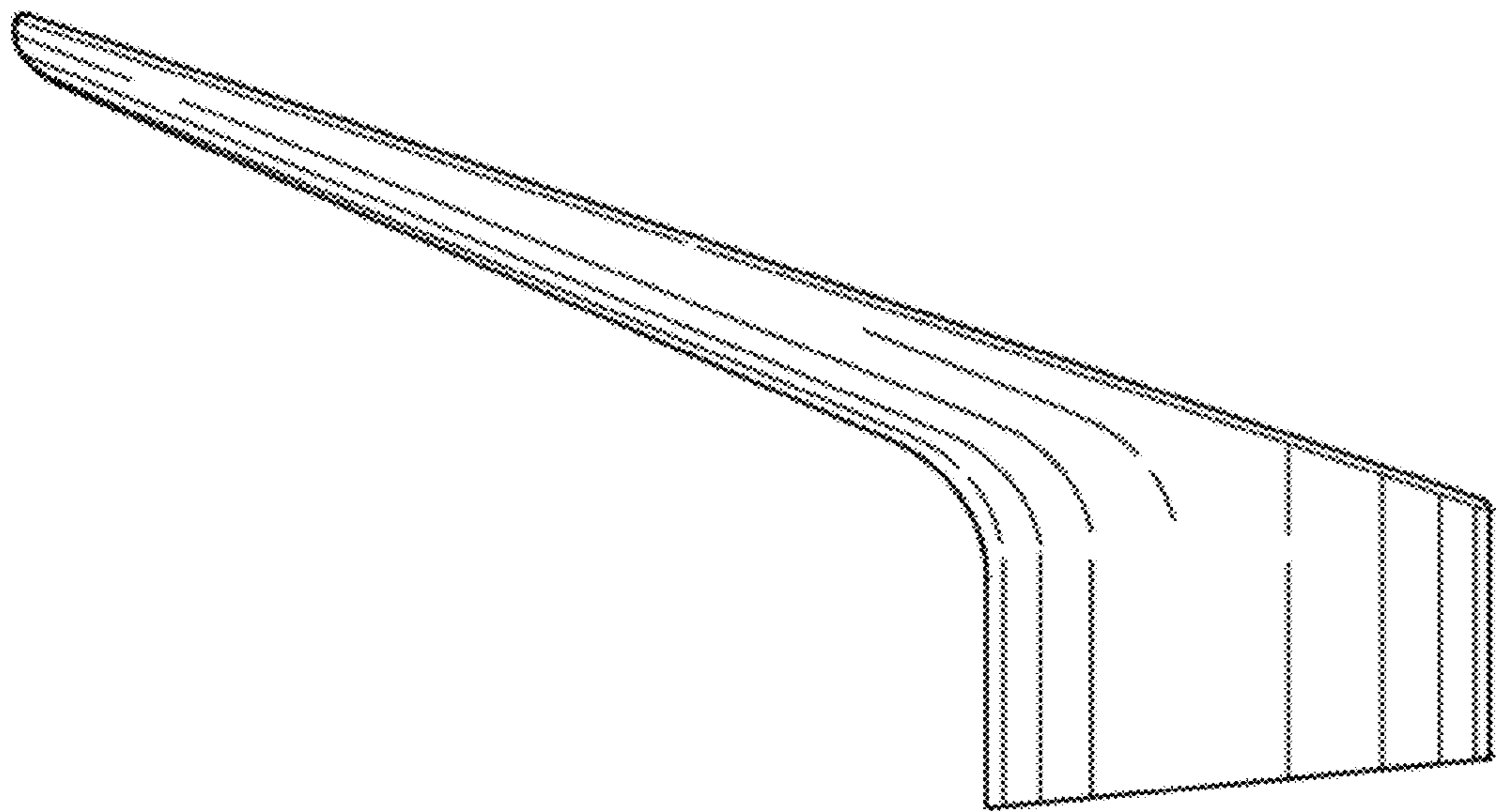


FIG. 4

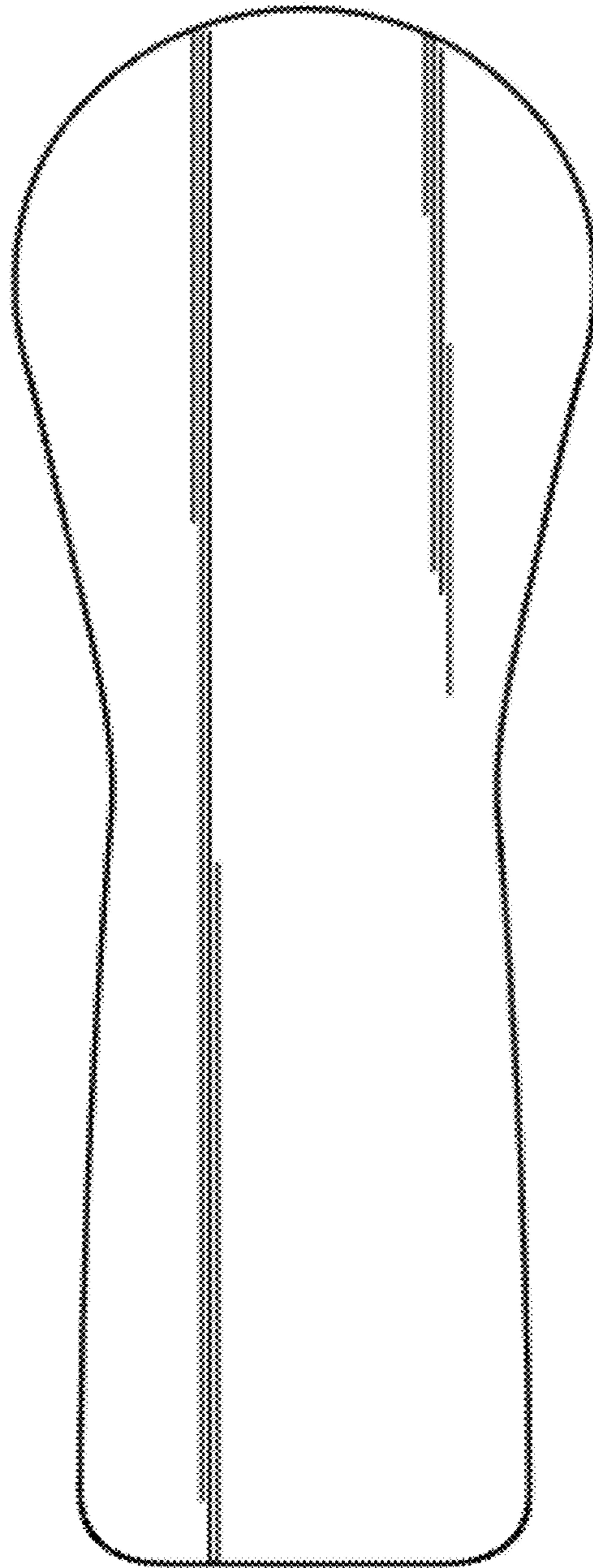


FIG. 5

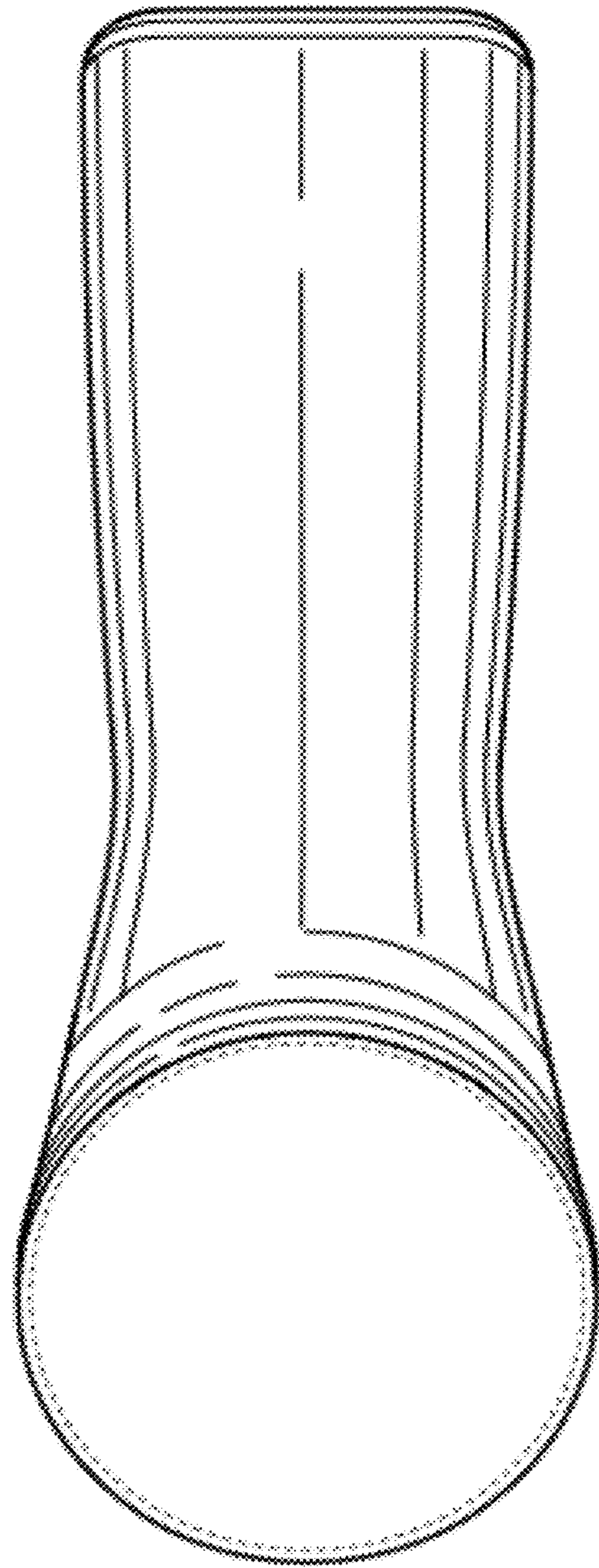


FIG. 6