



US00D661371S

(12) **United States Design Patent**
Willard et al.

(10) **Patent No.:** **US D661,371 S**
(45) **Date of Patent:** **** Jun. 5, 2012**

(54) **PROPANE GAS TANK RACK**

(76) Inventors: **Mark Willard**, North Tonawanda, NY (US); **Michael W. Marrs**, Niagara Falls, NY (US)

(**) **Term:** **14 Years**

(21) **Appl. No.:** **29/390,384**

(22) **Filed:** **Apr. 25, 2011**

(51) **LOC (9) Cl.** **23-01**

(52) **U.S. Cl.** **D23/206**

(58) **Field of Classification Search** D23/206;
220/628-630, 737; 248/146, 346.01, 346.03,
248/346.05; 211/71.01; D6/552, 567, 571,
D6/574

See application file for complete search history.

(56) **References Cited**

U.S. PATENT DOCUMENTS

4,442,991	A *	4/1984	Levens	248/146
4,674,967	A *	6/1987	Oseka	425/110
D302,519	S *	8/1989	Butler	D8/373
5,558,246	A	9/1996	Ross, Jr.		

5,799,849	A	9/1998	Beer et al.
6,340,105	B1	1/2002	Black
2010/0051567	A1	3/2010	Ross, Jr.

* cited by examiner

Primary Examiner — Robin V Webster

(74) *Attorney, Agent, or Firm* — Krass, Stenger & LoTempio; Vincent G. LoTempio; Brendan S. Lills

(57) **CLAIM**

The ornamental design for a propane gas tank rack, as shown and described.

DESCRIPTION

FIG. 1 is a top, front, right perspective view of the propane gas tank rack of my design with environment;
FIG. 2 is a top, front, right perspective view of my design;
FIG. 3 is right side of my design, with the left side view being a mirror image thereof;
FIG. 4 is a front view of my design, with the rear view being a mirror image thereof;
FIG. 5 is a top view of my design; and,
FIG. 6 is a bottom view of my design.

The broken lines depict environmental structures of the propane gas tank rack and form no part of the claimed invention.

1 Claim, 4 Drawing Sheets

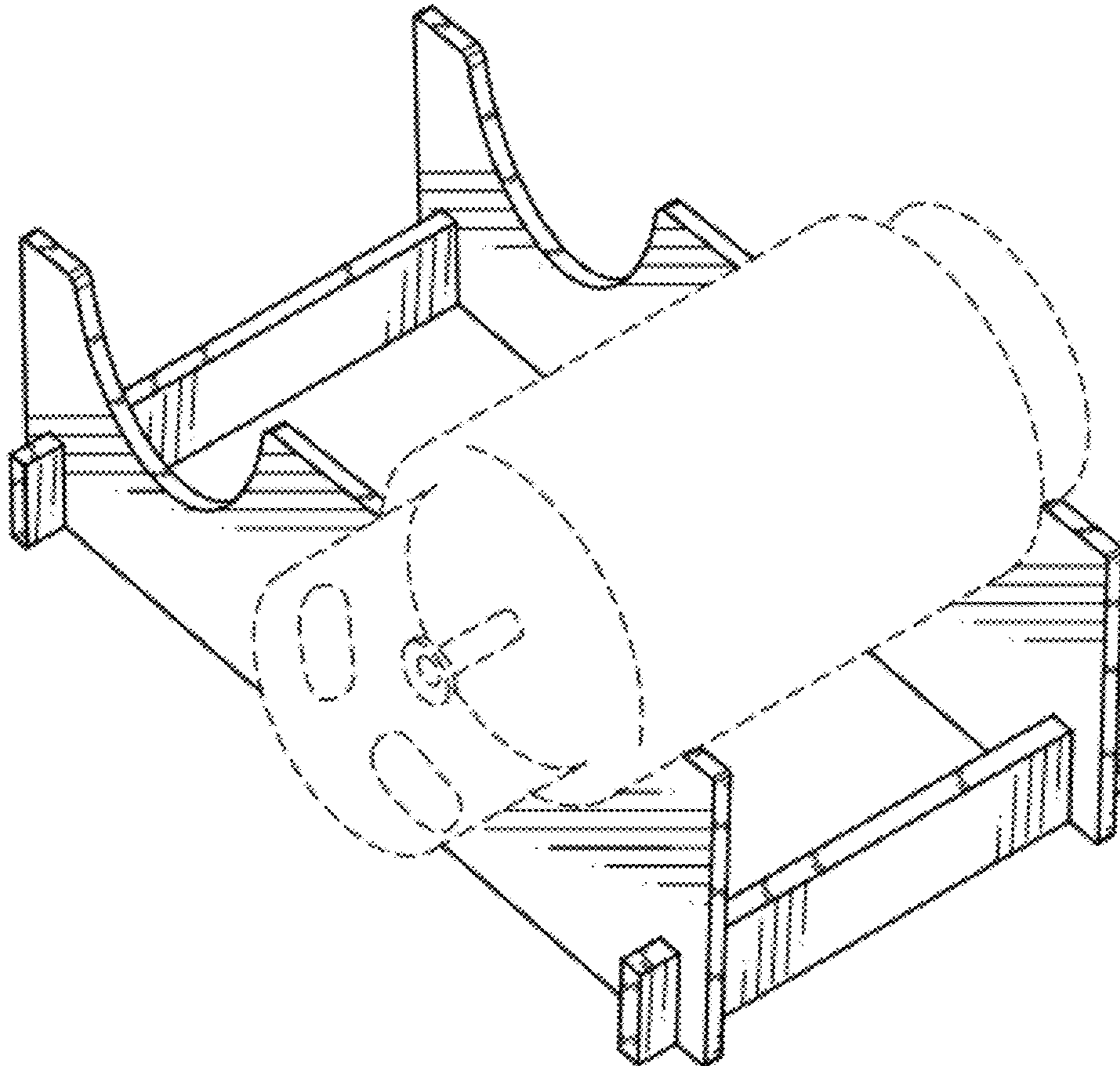
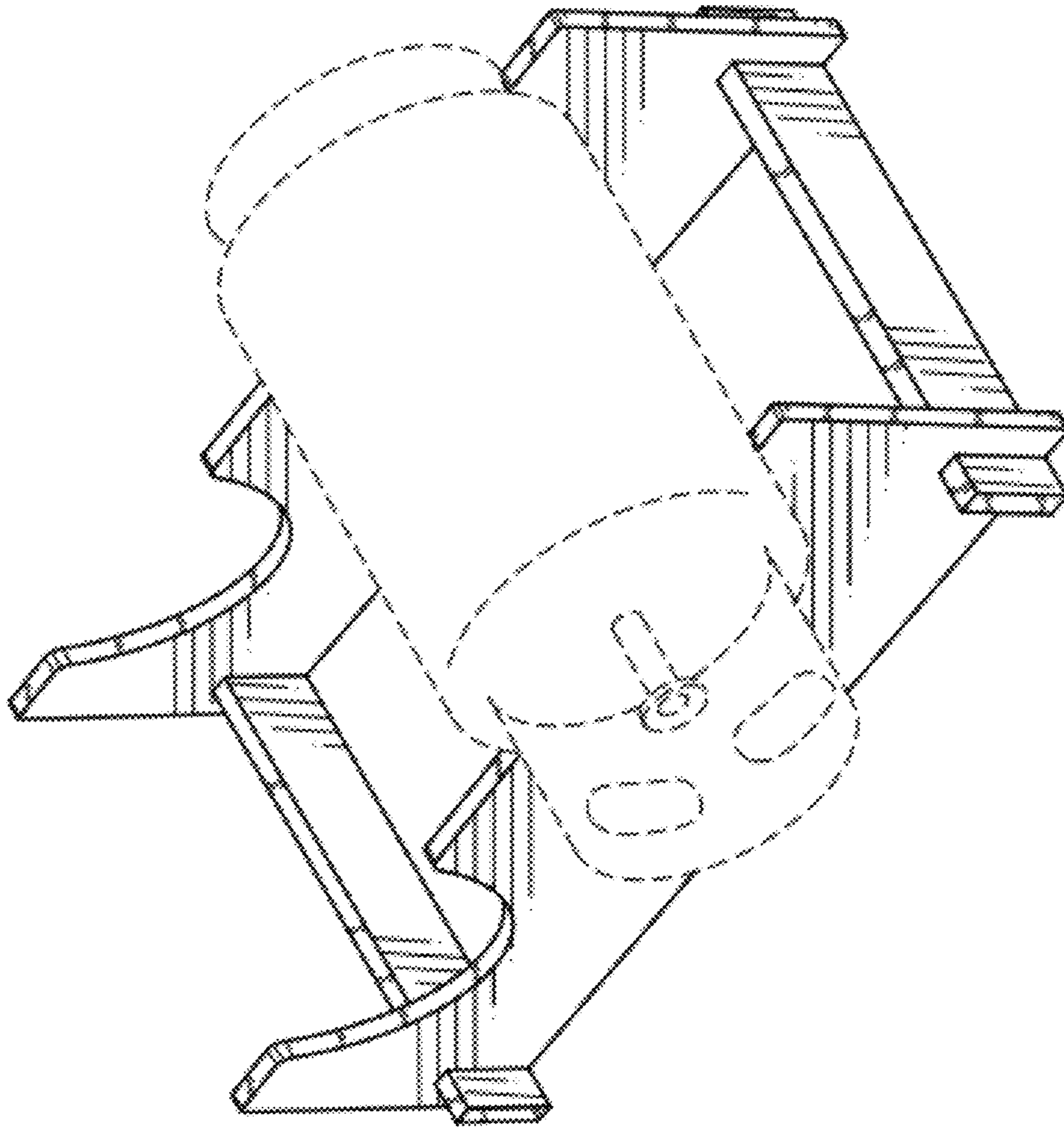


FIG. 1



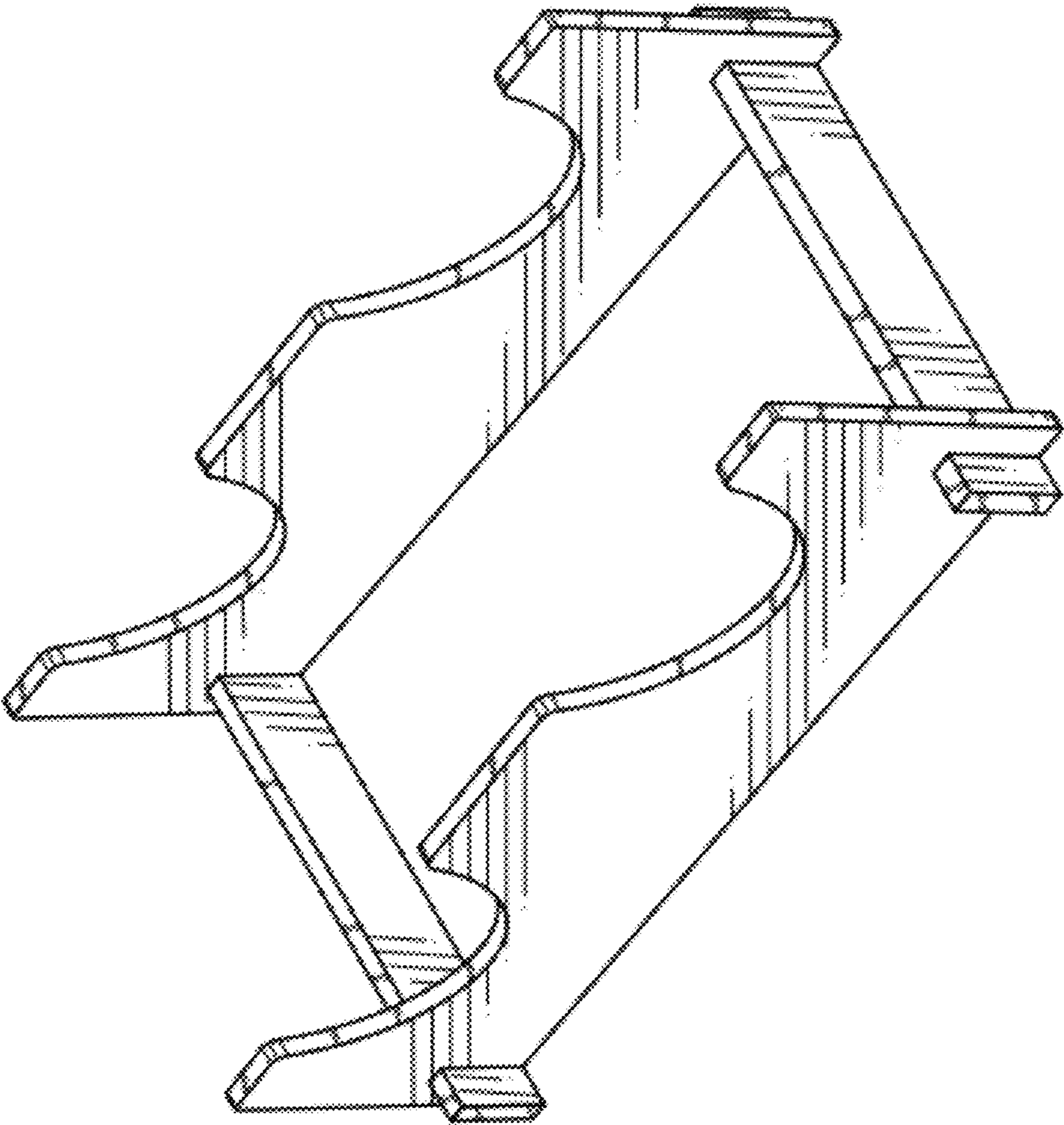


FIG. 2

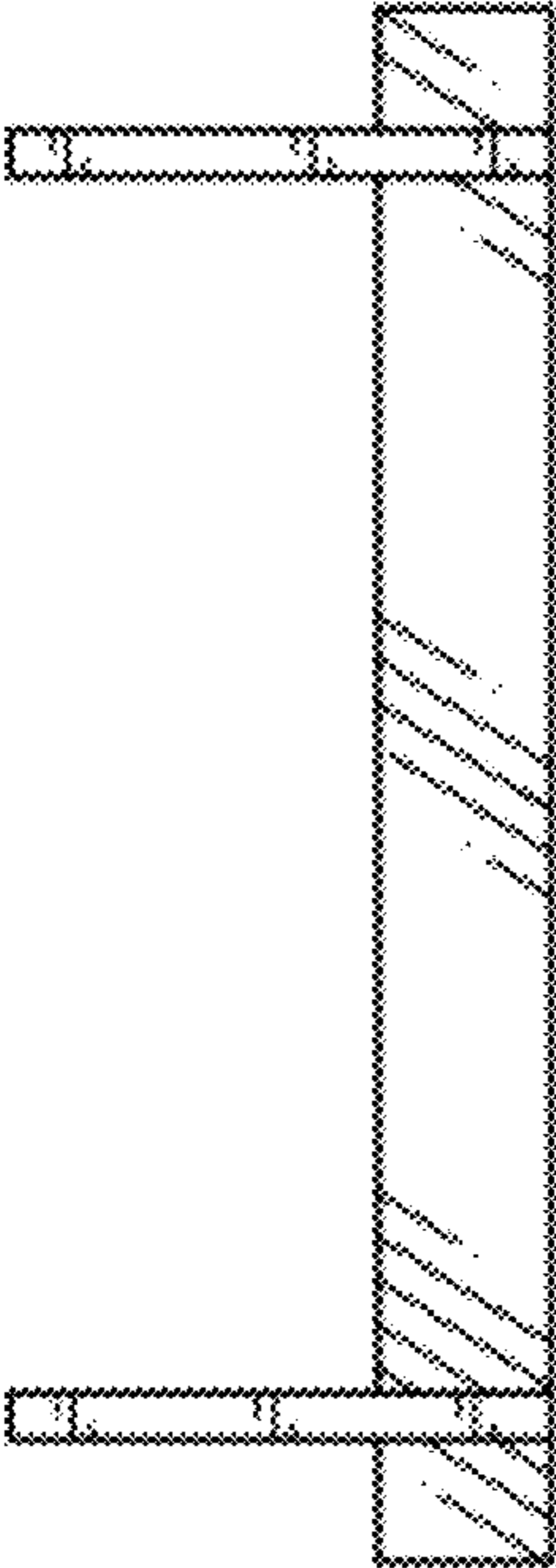


FIG. 3

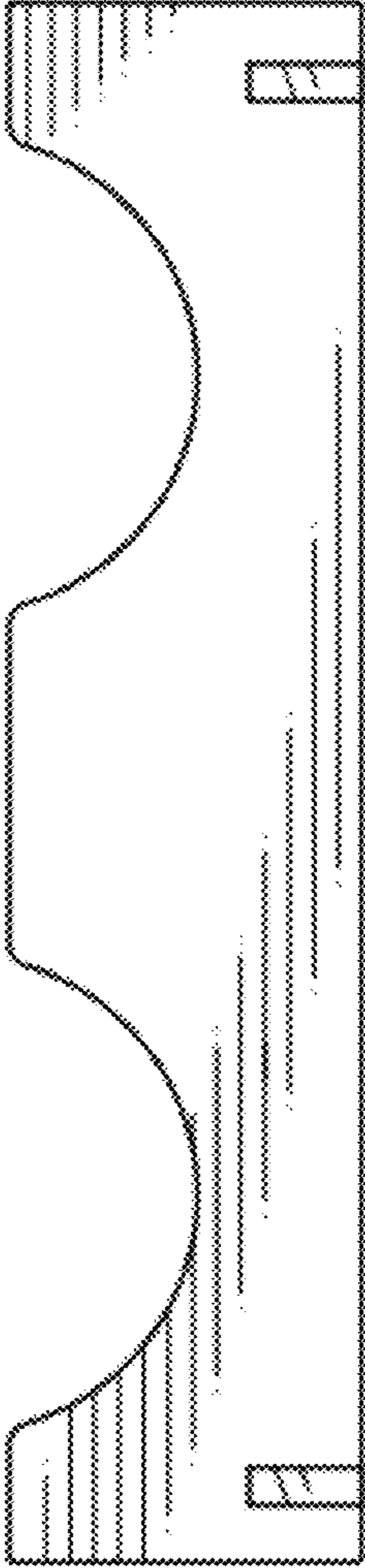


FIG. 4

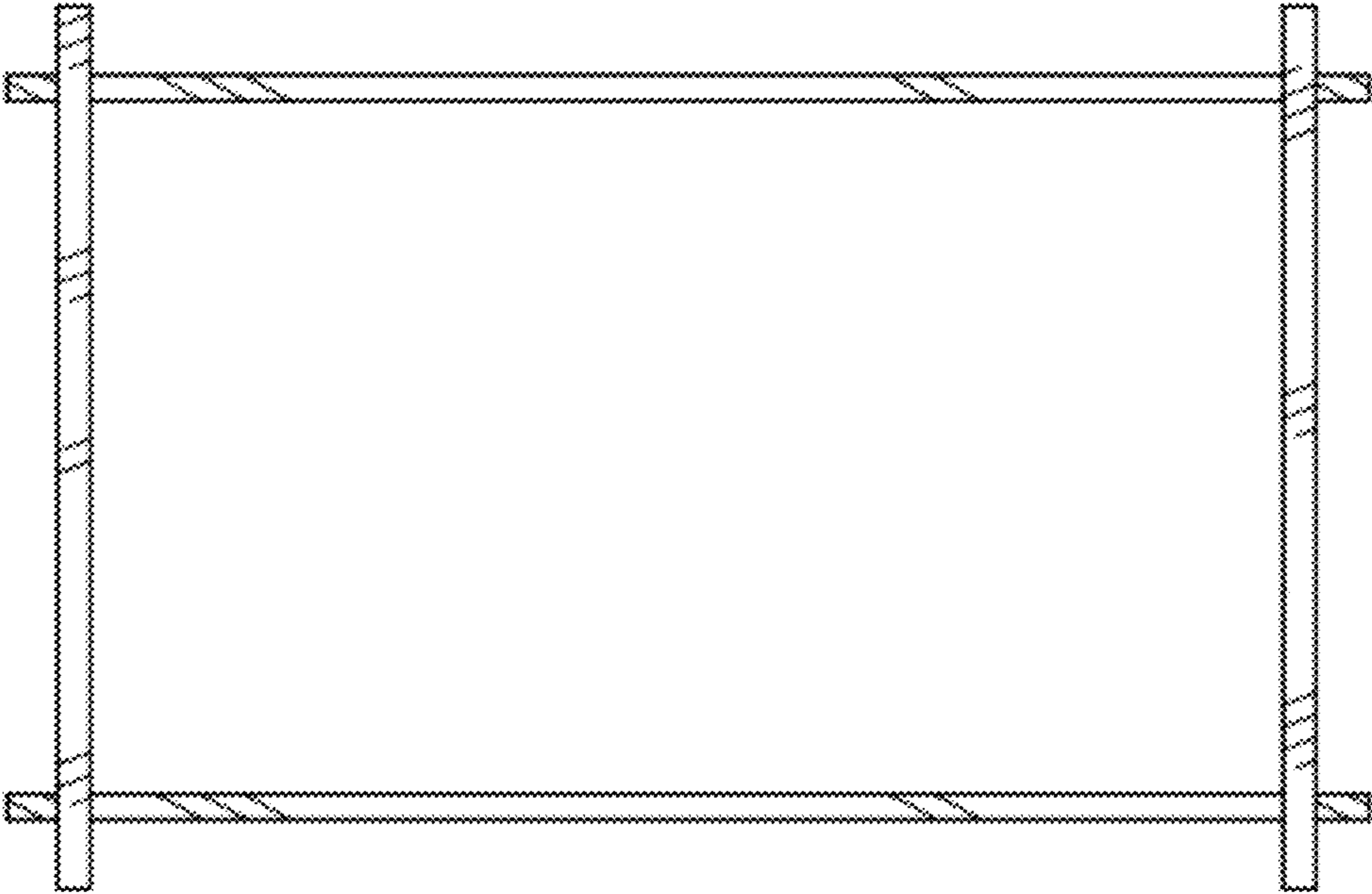


FIG. 6

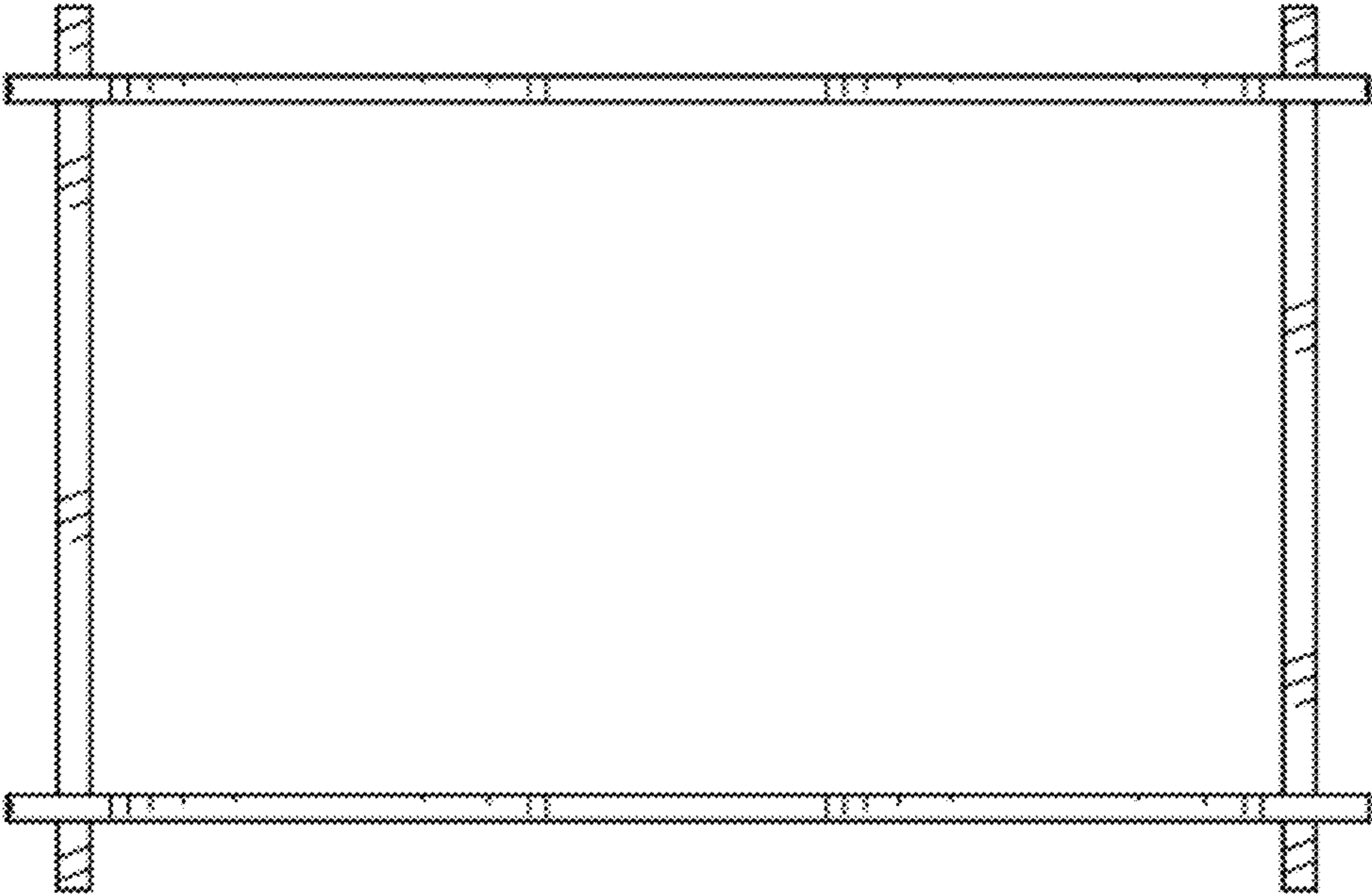


FIG. 5