

US00D661370S

(12) **United States Design Patent**
Zock

(10) **Patent No.:** **US D661,370 S**
(45) **Date of Patent:** **** Jun. 5, 2012**

(54) **REEL POST**

(76) Inventor: **Steve Zock**, Youngsville, PA (US)

(**) Term: **14 Years**

(21) Appl. No.: **29/403,825**

(22) Filed: **Oct. 11, 2011**

(51) **LOC (9) Cl.** **22-05**

(52) **U.S. Cl.** **D22/141**

(58) **Field of Classification Search** D22/141,
D22/137-140; 242/227, 230-234

See application file for complete search history.

(56) **References Cited**

U.S. PATENT DOCUMENTS

4,821,977	A *	4/1989	Schuster	242/227
D309,936	S *	8/1990	Hiraishi et al.	D22/141
D423,635	S *	4/2000	Robbins	D22/141
D589,586	S *	3/2009	Noma	D22/141

D613,364	S *	4/2010	Koelewyn	D22/141
D627,417	S *	11/2010	Nago	D22/141
8,033,492	B2 *	10/2011	Fujioka et al.	242/230

* cited by examiner

Primary Examiner — Catheri Oliver

(74) *Attorney, Agent, or Firm* — The Bilicki Law Firm, P.C.;
Carl A. Hjort, III

(57) **CLAIM**

The ornamental design for a reel post, as shown and described.

DESCRIPTION

FIG. 1 is a left side view of the reel post according to the present design, with the right side view being a mirror image thereof;

FIG. 2 is a bottom plan view thereof;

FIG. 3 is a top plan view thereof; and,

FIG. 4 is a front, top and side perspective view.

The broken line showing of environment in the drawings is included for the purpose of illustrating only and forms no part of the claimed design.

1 Claim, 4 Drawing Sheets

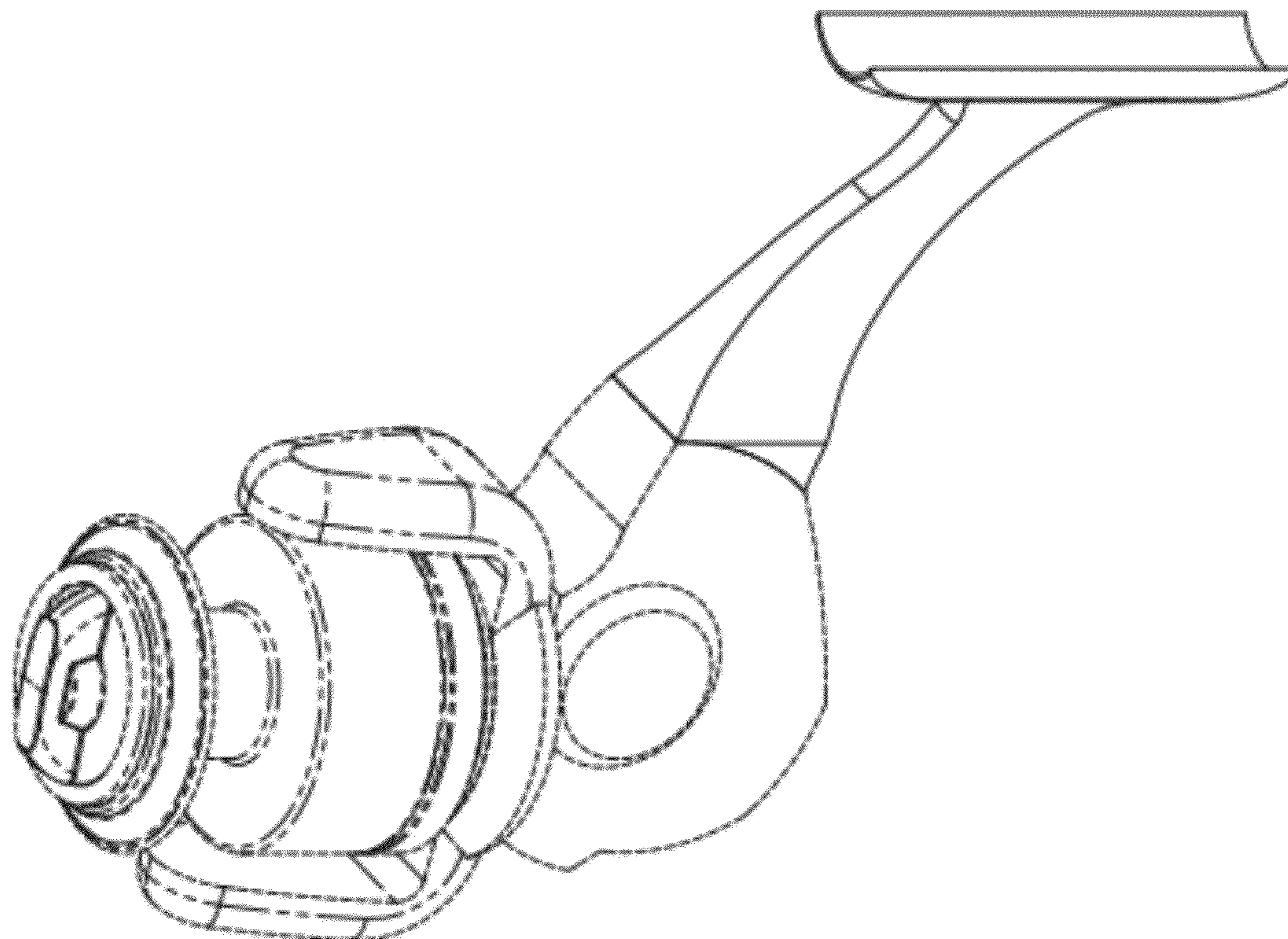


Fig. 1

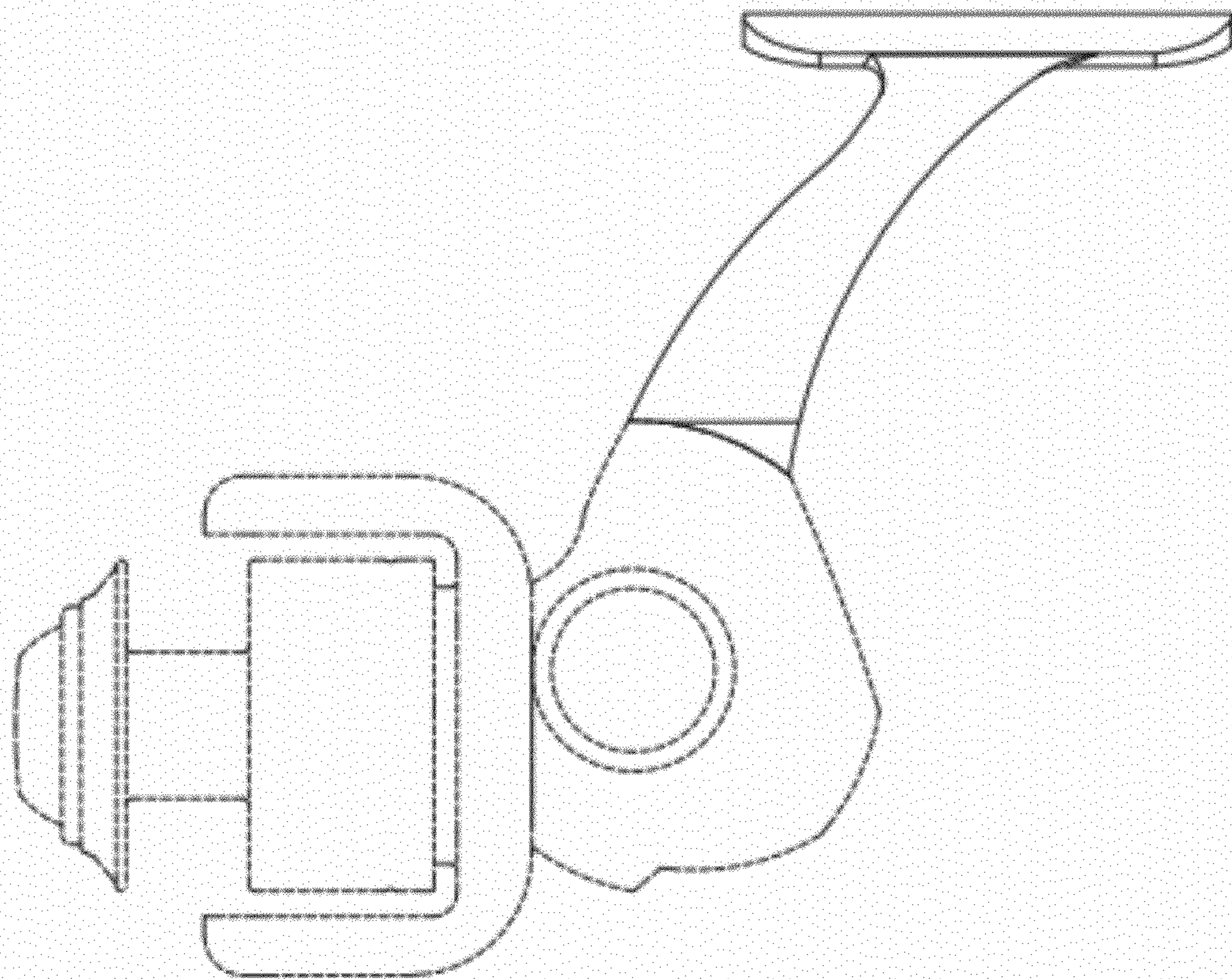


Fig. 2

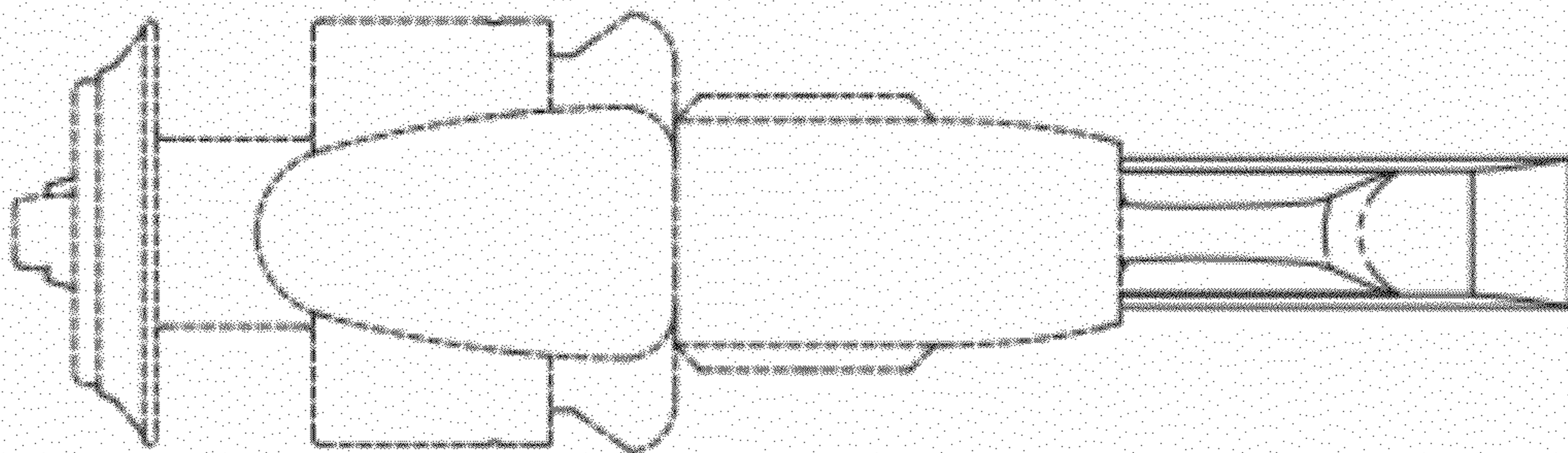


Fig. 3

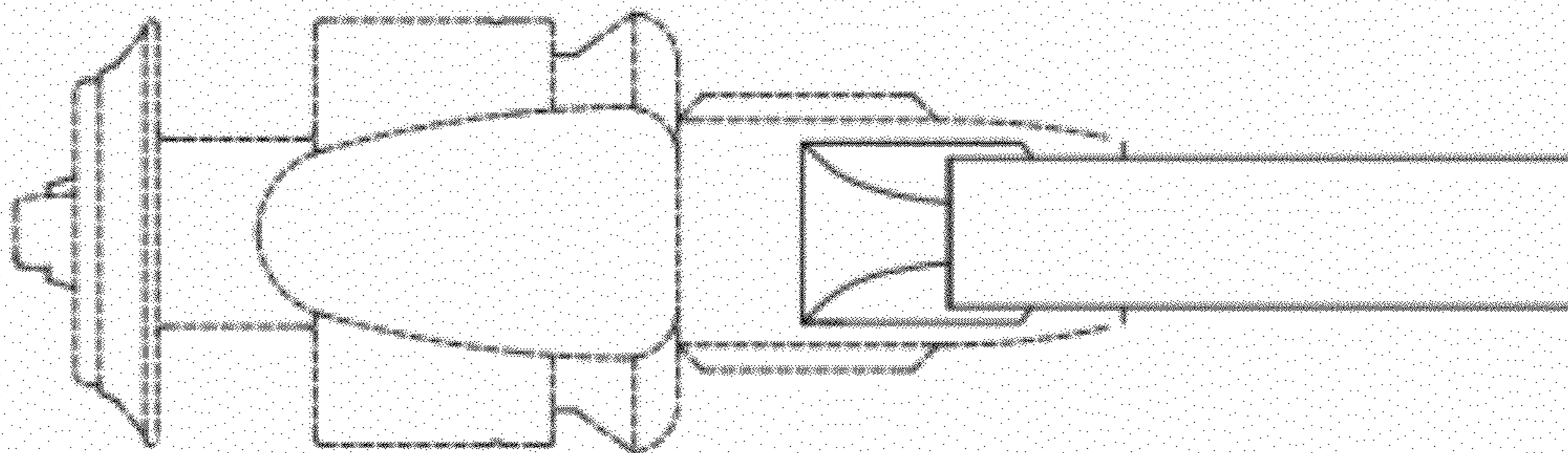


Fig. 4

