



US00D661368S

(12) **United States Design Patent**
Leathers

(10) **Patent No.:** **US D661,368 S**
(45) **Date of Patent:** **** Jun. 5, 2012**

(54) **FIELD TRAP SETTER BOX FOR GOPHERS**

(76) Inventor: **Sharon Leathers**, Lincoln, CA (US)

(**) Term: **14 Years**

(21) Appl. No.: **29/375,000**

(22) Filed: **Nov. 7, 2011**

(51) **LOC (9) Cl.** **22-06**

(52) **U.S. Cl.** **D22/119**

(58) **Field of Classification Search** D22/119-124;
43/121, 124, 131, 132.1

See application file for complete search history.

(56) **References Cited**

U.S. PATENT DOCUMENTS

6,249,417	B1 *	6/2001	Pippen	43/124
6,647,661	B2 *	11/2003	Grigorov	43/124
D547,411	S *	7/2007	Jan	D22/119
D552,705	S *	10/2007	Hess	D22/119
D568,958	S *	5/2008	Zovar et al.	D22/119
D614,724	S *	4/2010	Waddington et al.	D22/119
D615,146	S *	5/2010	Zovar et al.	D22/119

* cited by examiner

Primary Examiner — Catheri Oliver

(57) **CLAIM**

The ornamental design for a field trap setter box for gophers, as shown and described.

DESCRIPTION

FIG. 1 is a perspective view of the first embodiment of the field trap setter box for gophers with the lid shown open;

FIG. 2 is a top plan view of the first embodiment of this design with the lid open.

FIG. 3 is a perspective view thereof with the lid closed.

FIG. 4 is a front view of the first embodiment of this design.

FIG. 5 is a right side elevational view thereof;

FIG. 6 is a rear elevational view thereof.

FIG. 7 is a left side elevational view thereof.

FIG. 8 is a top view of the first embodiment of this design.

FIG. 9 is a bottom view thereof.

FIG. 10 is a perspective view showing the use of the first embodiment of the apparatus by an operator.

FIG. 11 is a front view of the first embodiment of this apparatus in operative position.

FIG. 12 is a top perspective view of the second embodiment in its operative environment with the lid open.

FIG. 13 is a perspective view of the second embodiment with the lid closed.

FIG. 14 is a front elevational view of the second embodiments of this design.

FIG. 15 is a right side elevational view of the second embodiment.

FIG. 16 is a front view of the second embodiment with the lid in the elevated position, but not rotated.

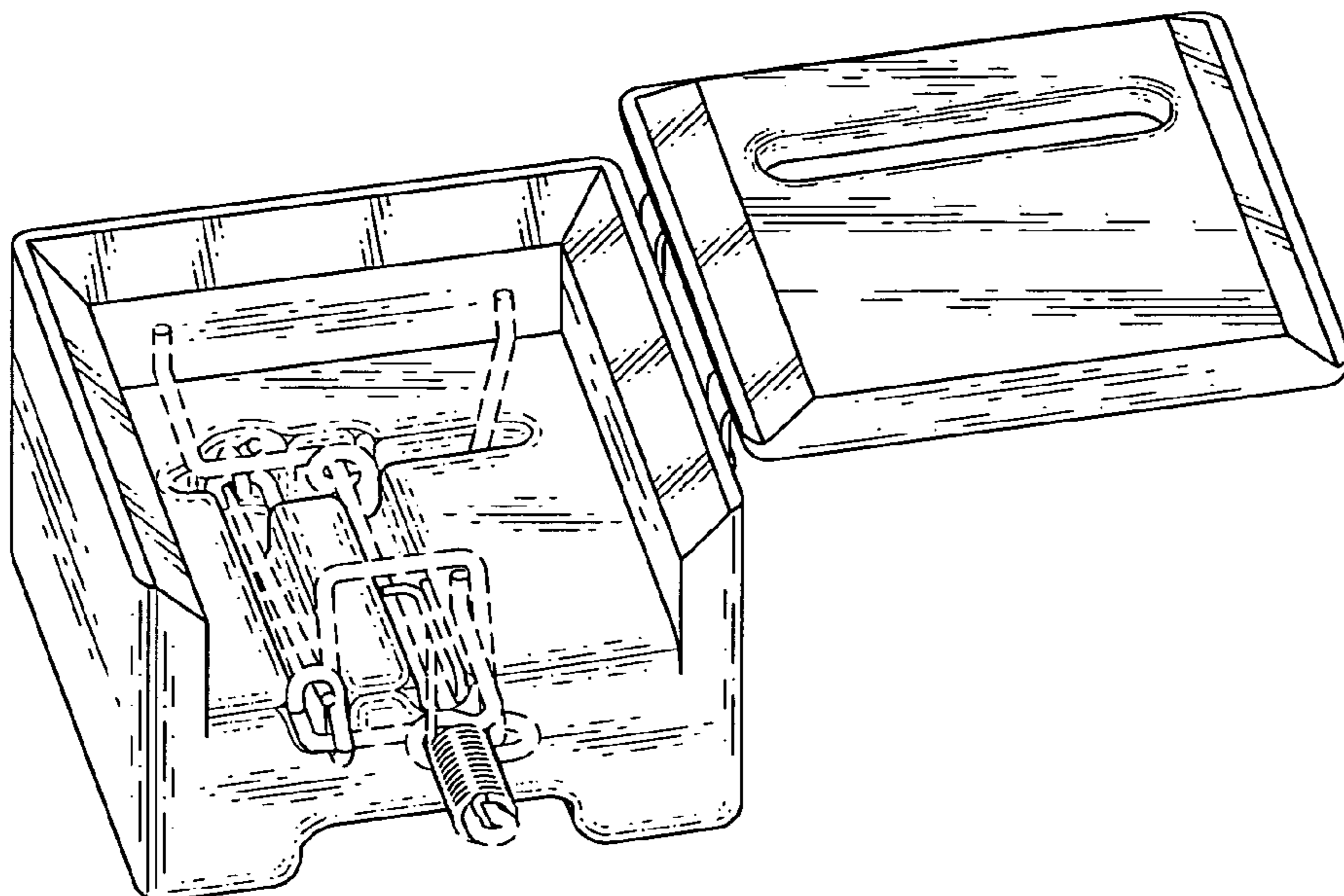
FIG. 17 is a related view of the second embodiment of this design with the lid open and rotated away.

FIG. 18 is a top view thereof with the lid opened; and,

FIG. 19 is a bottom view thereof with the lid open.

The broken line showing of environment in the drawings is included for the purpose of illustrating only and forms no part of the claimed design.

1 Claim, 4 Drawing Sheets



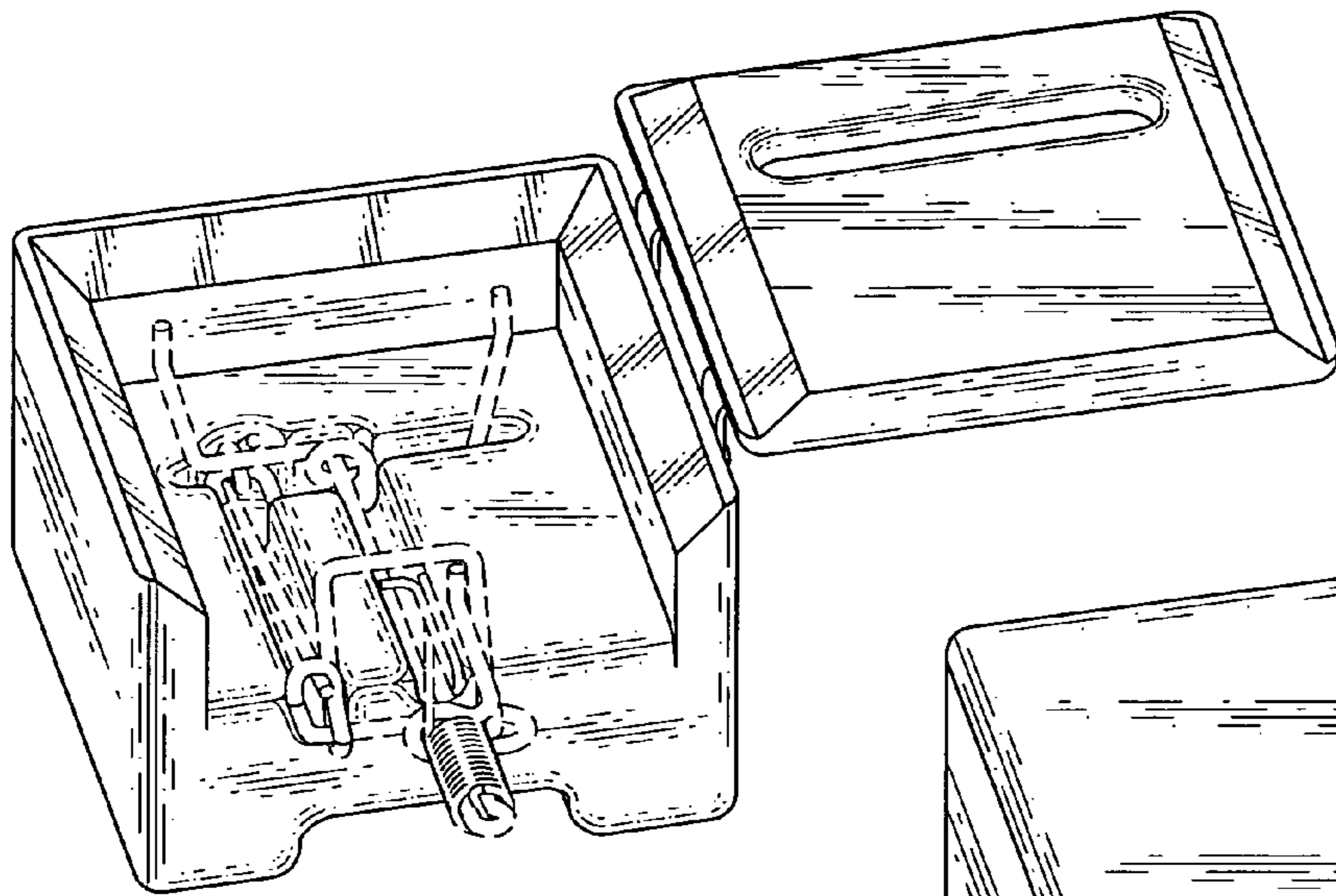


Fig. 1

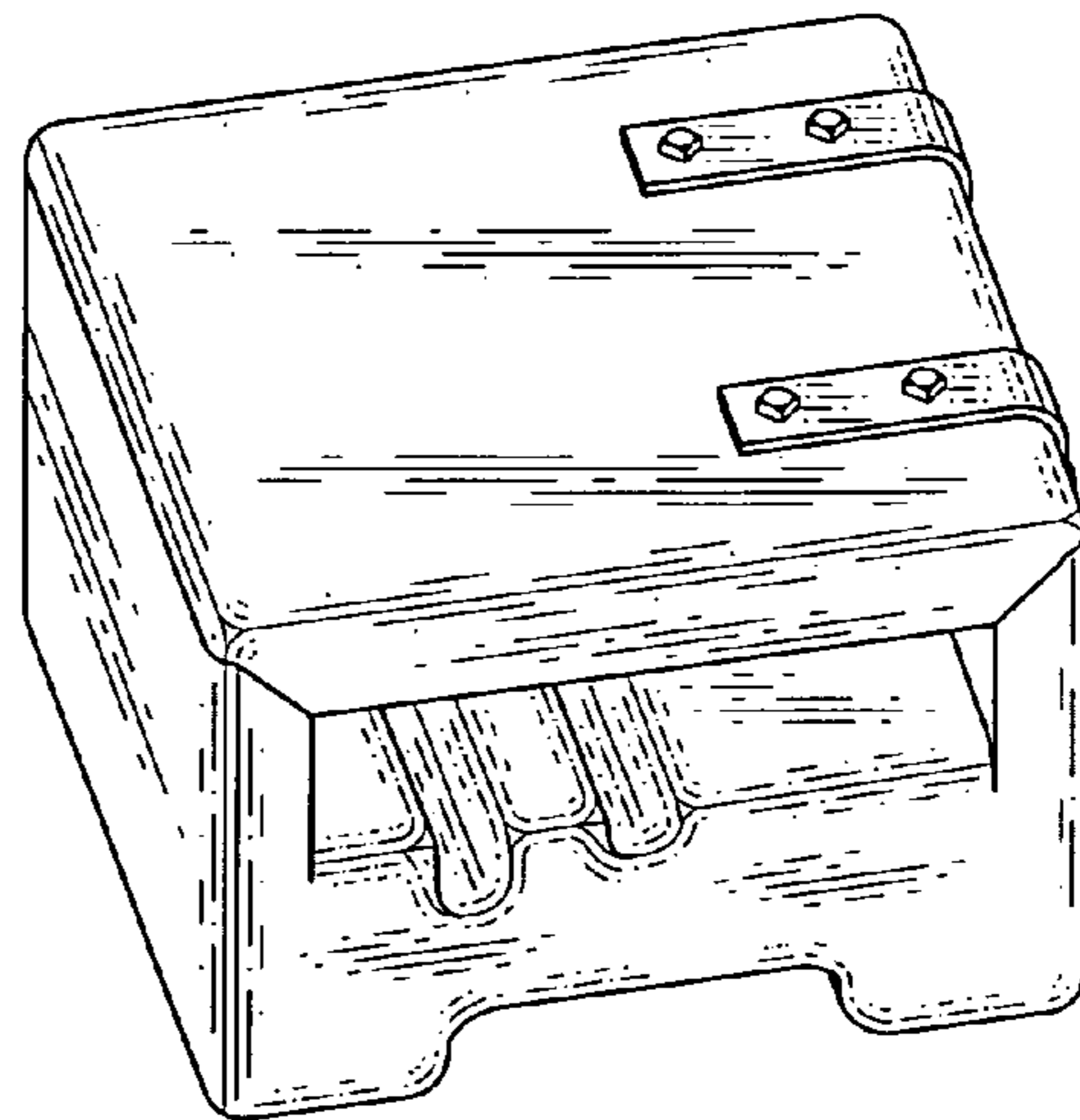


Fig. 3

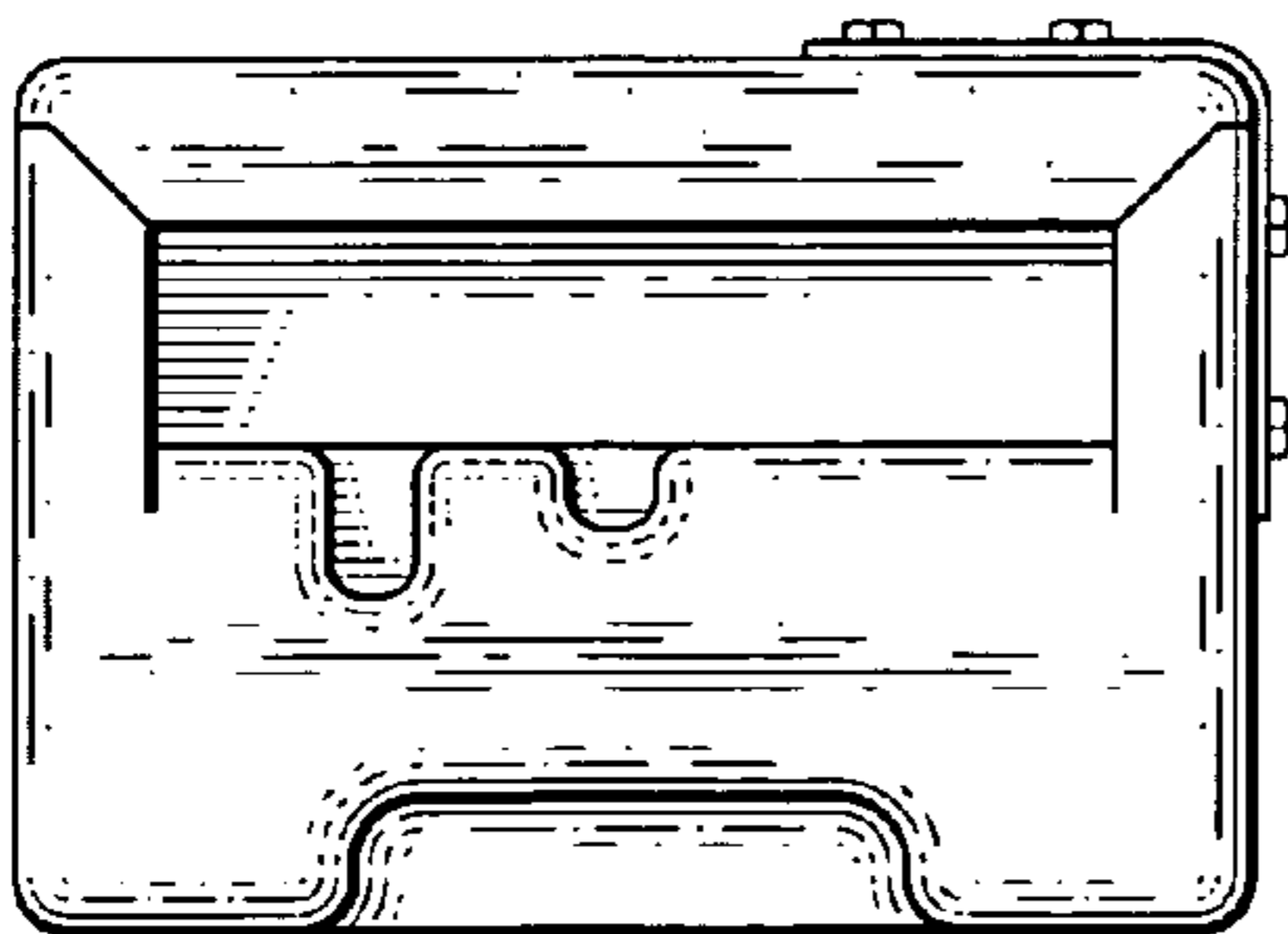


Fig. 4

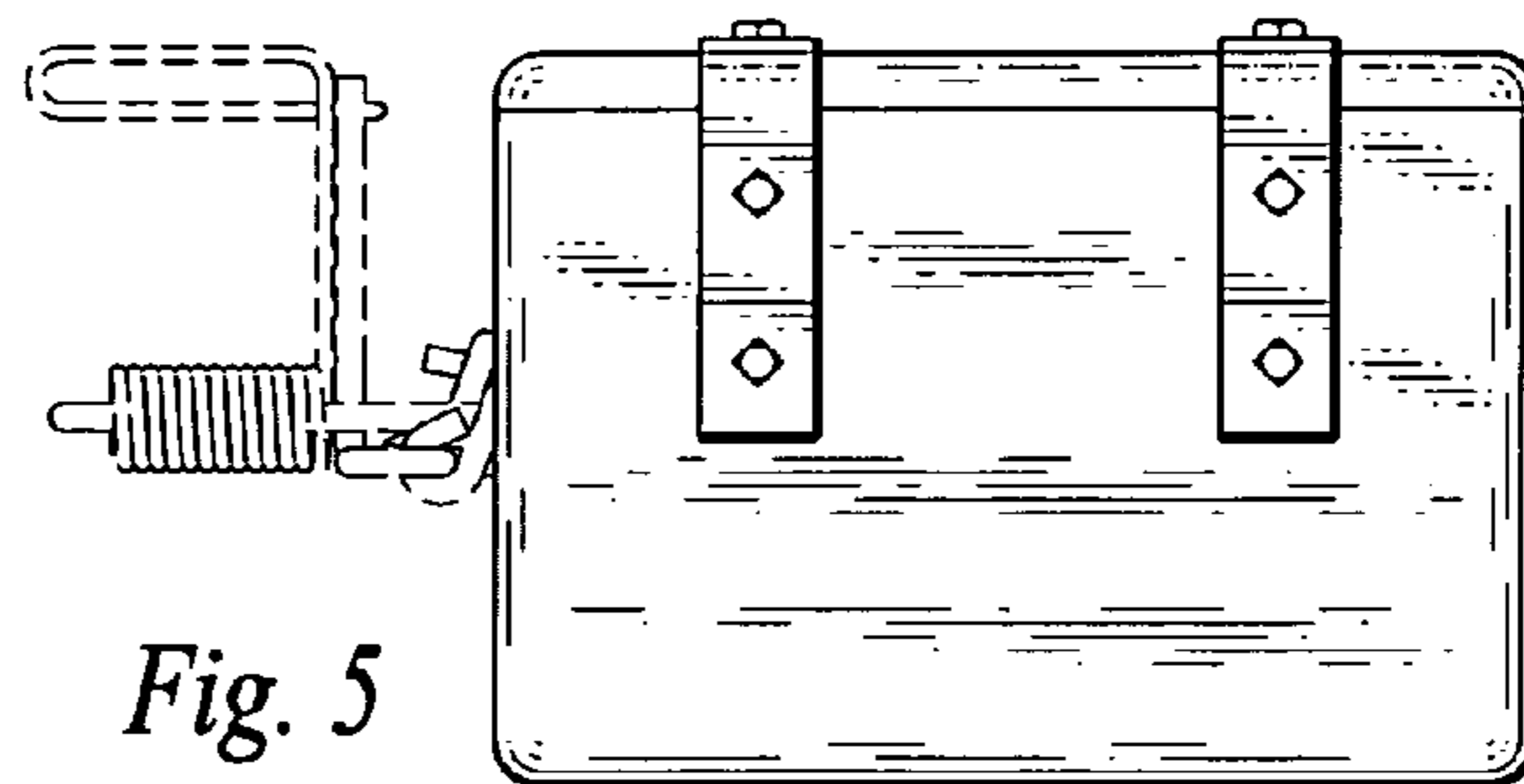


Fig. 5

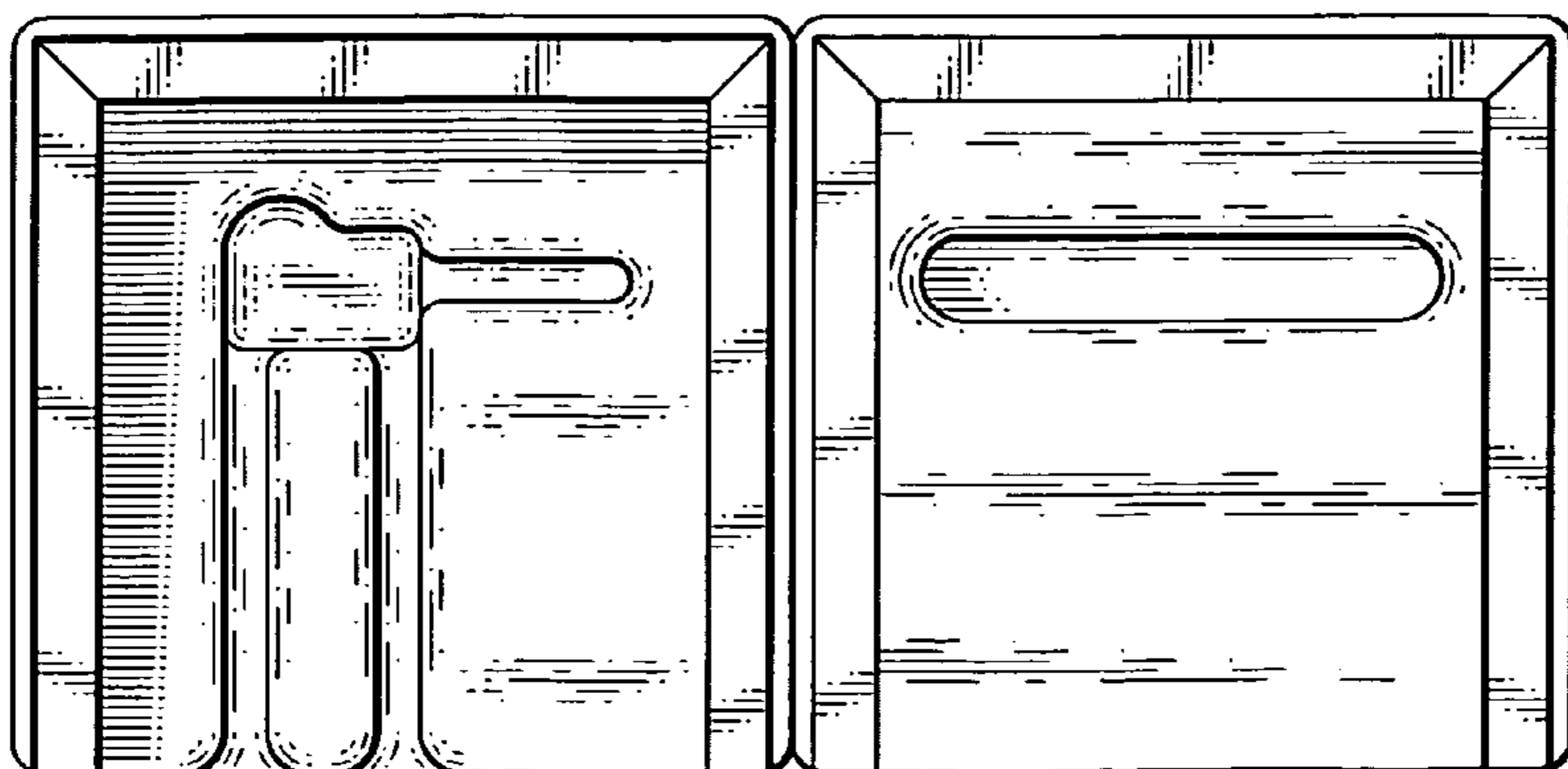


Fig. 2

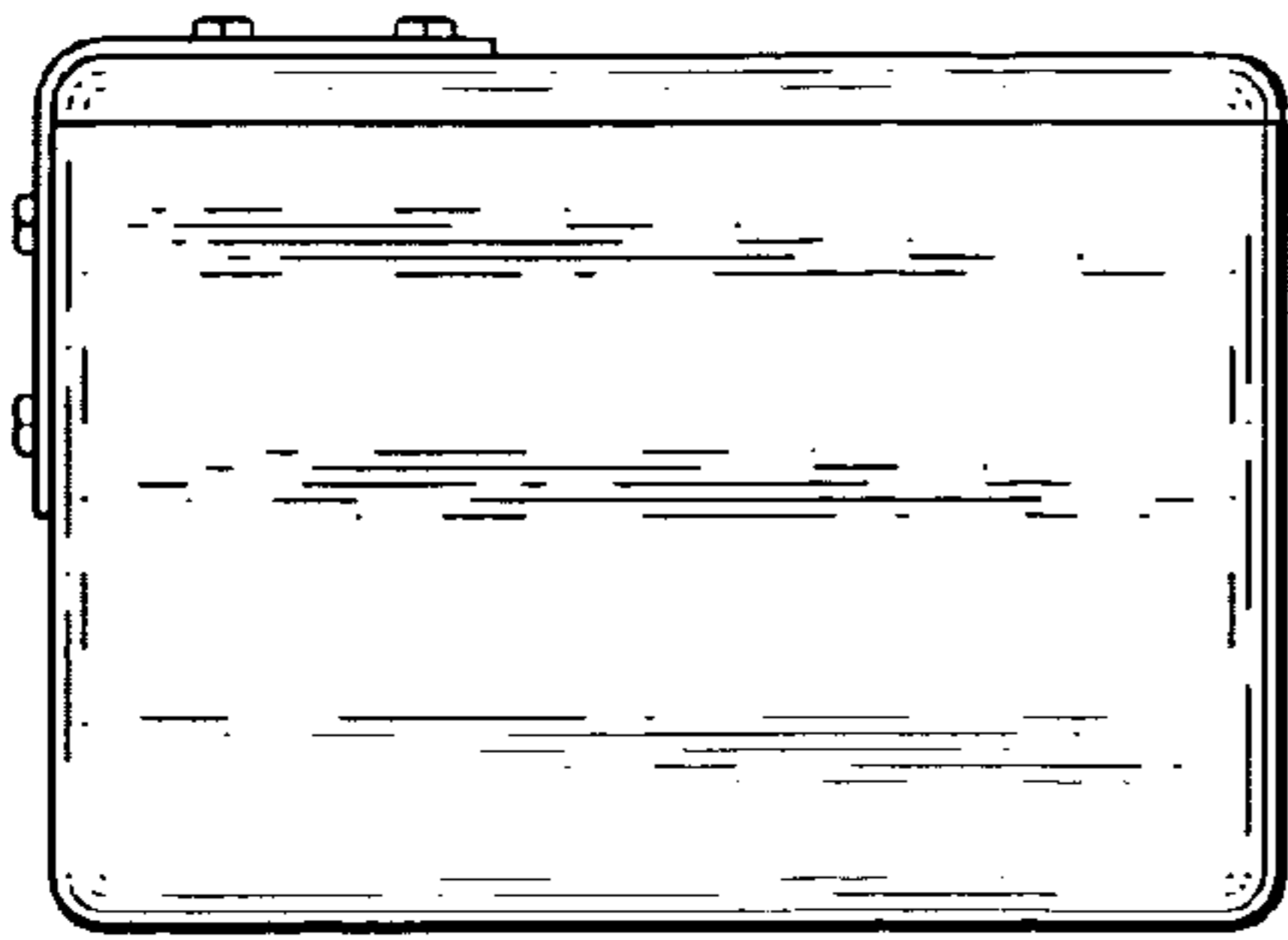


Fig. 6

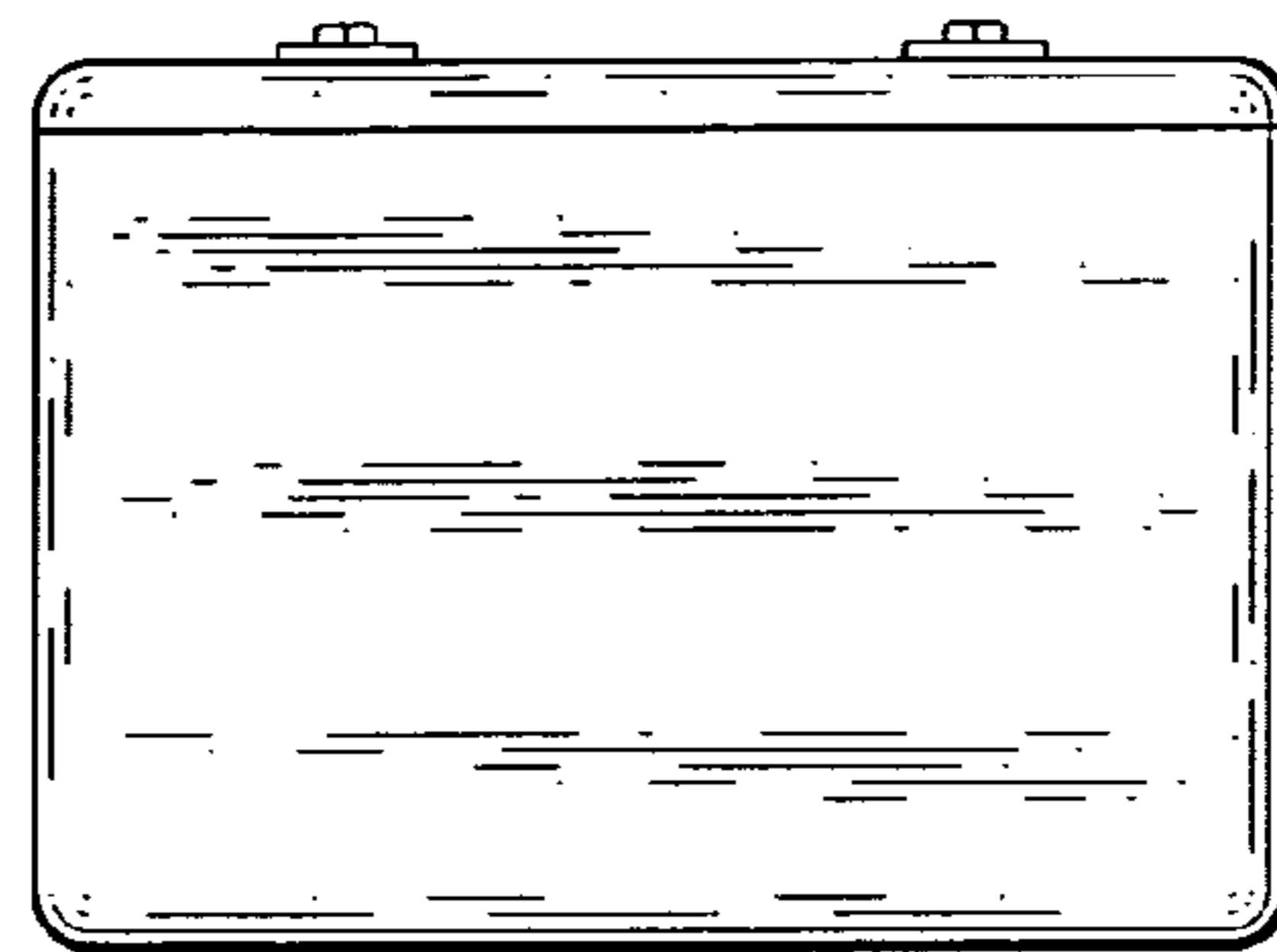


Fig. 7

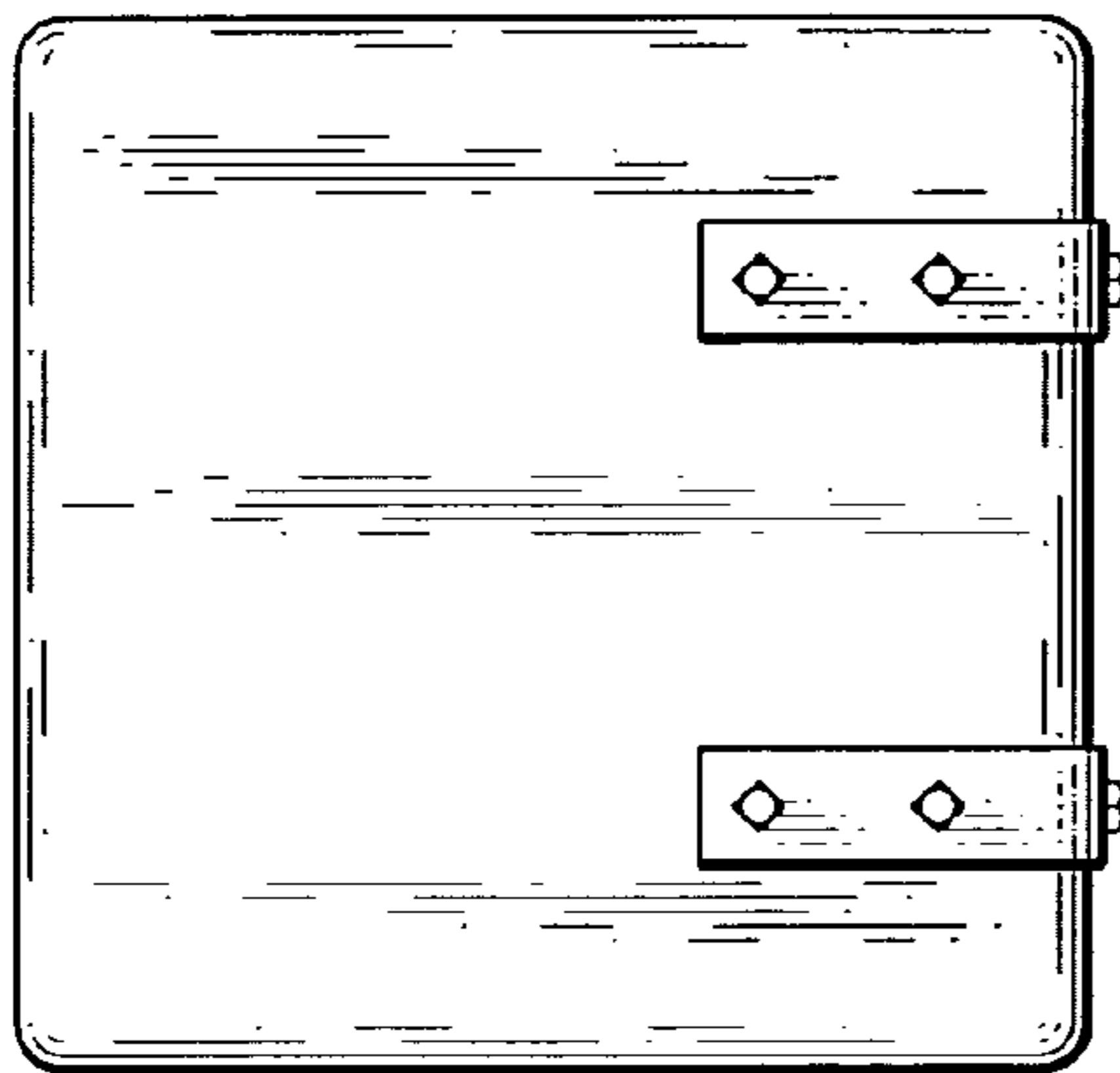


Fig. 8

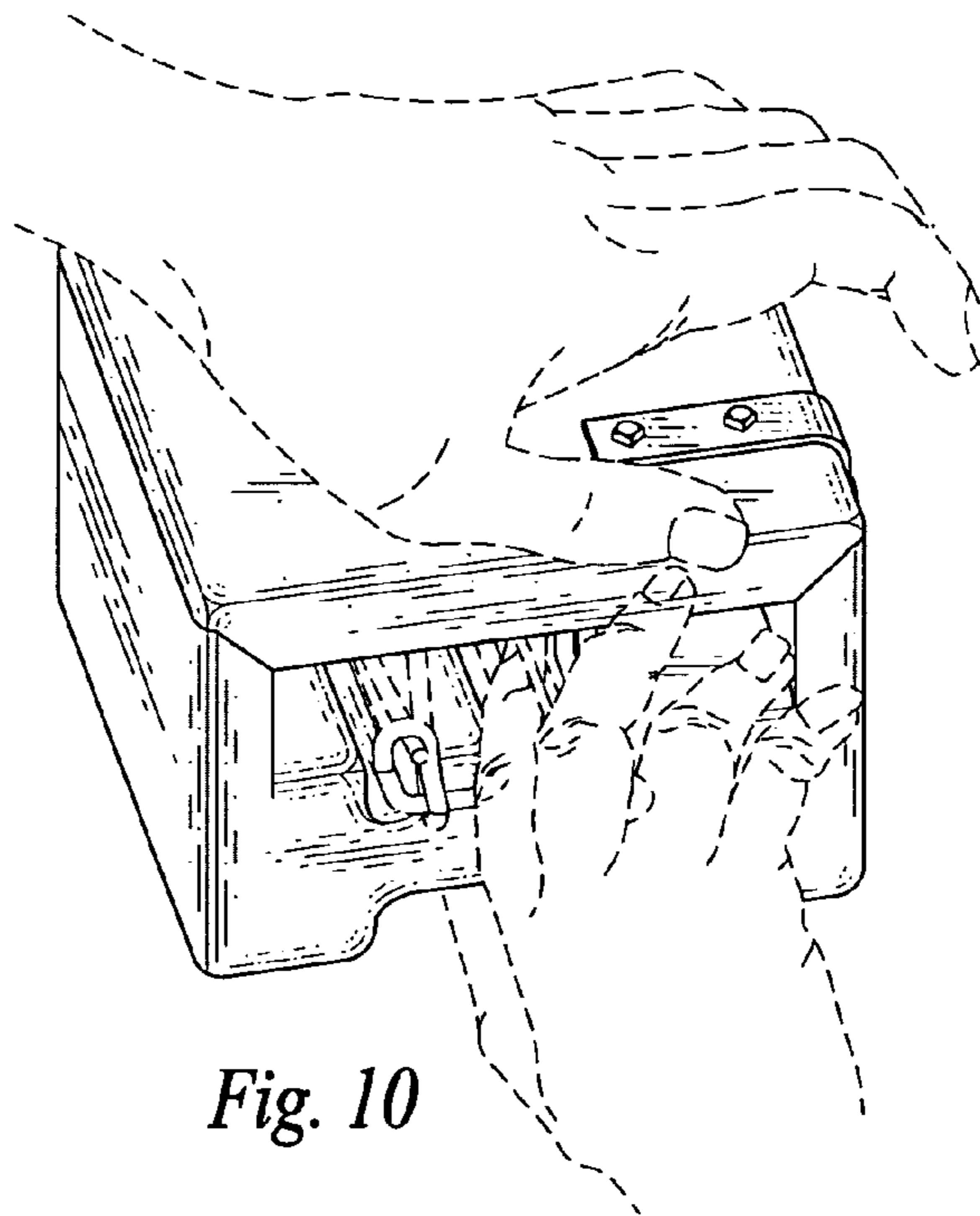


Fig. 10

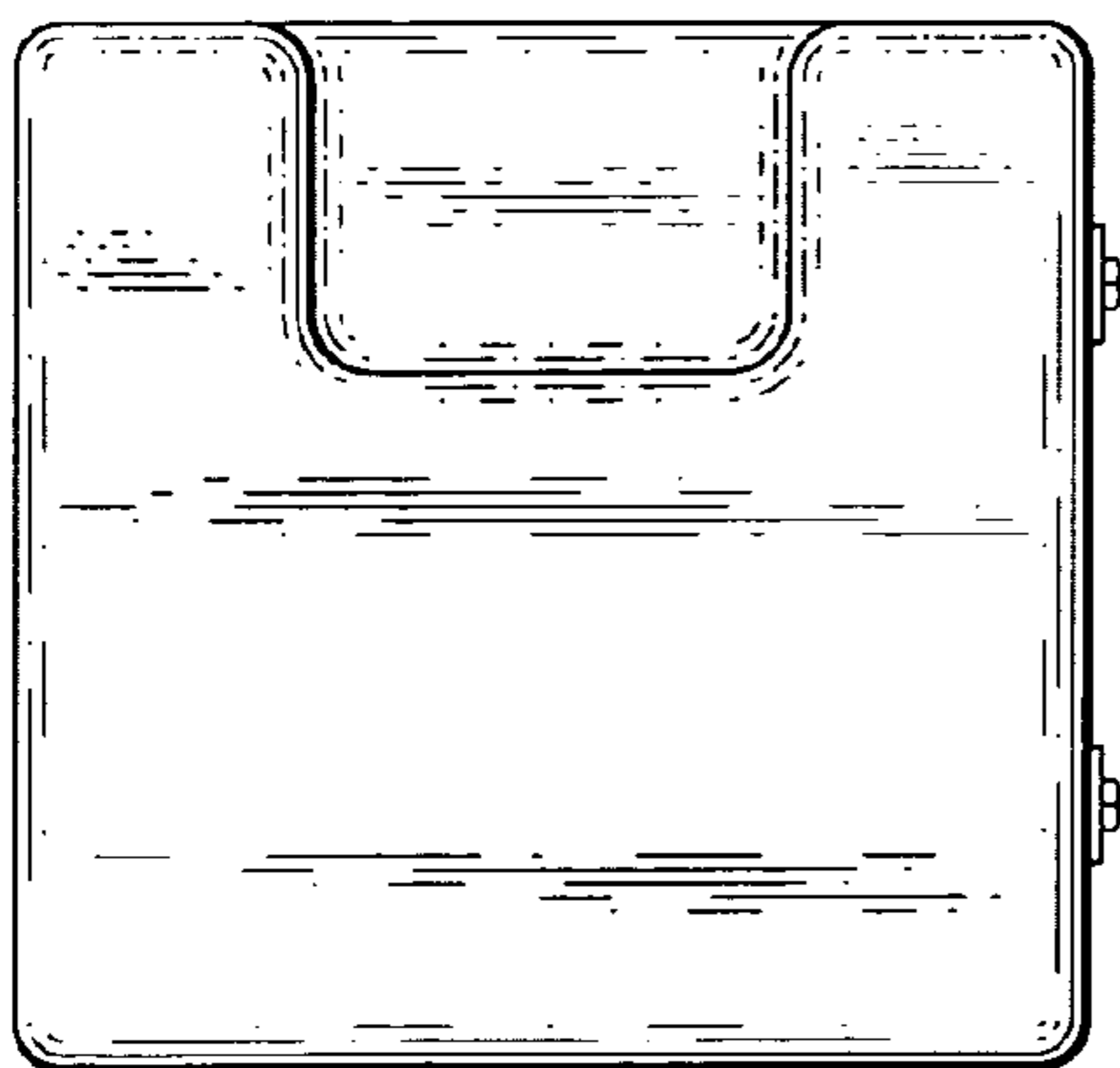


Fig. 9

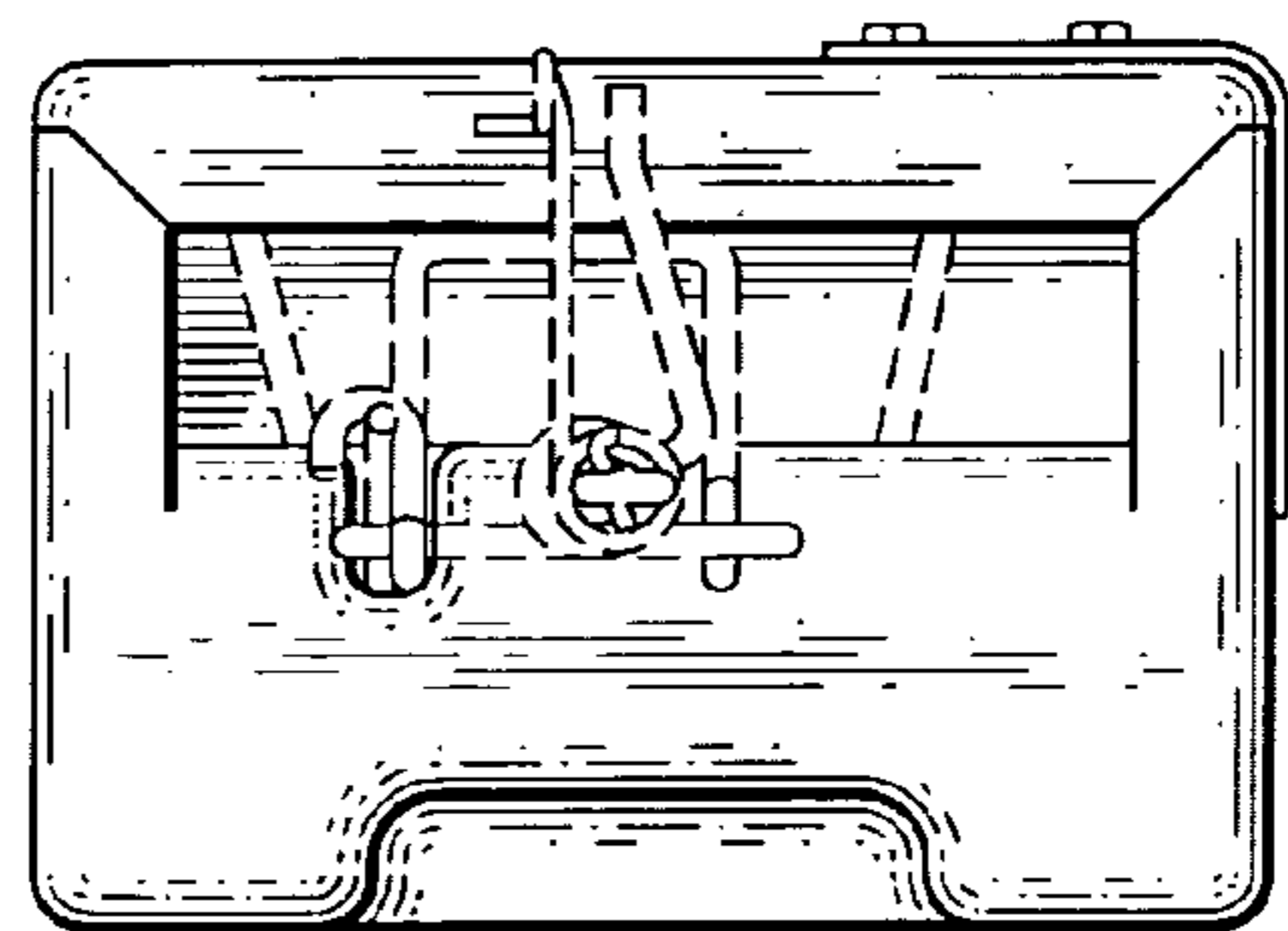


Fig. 11

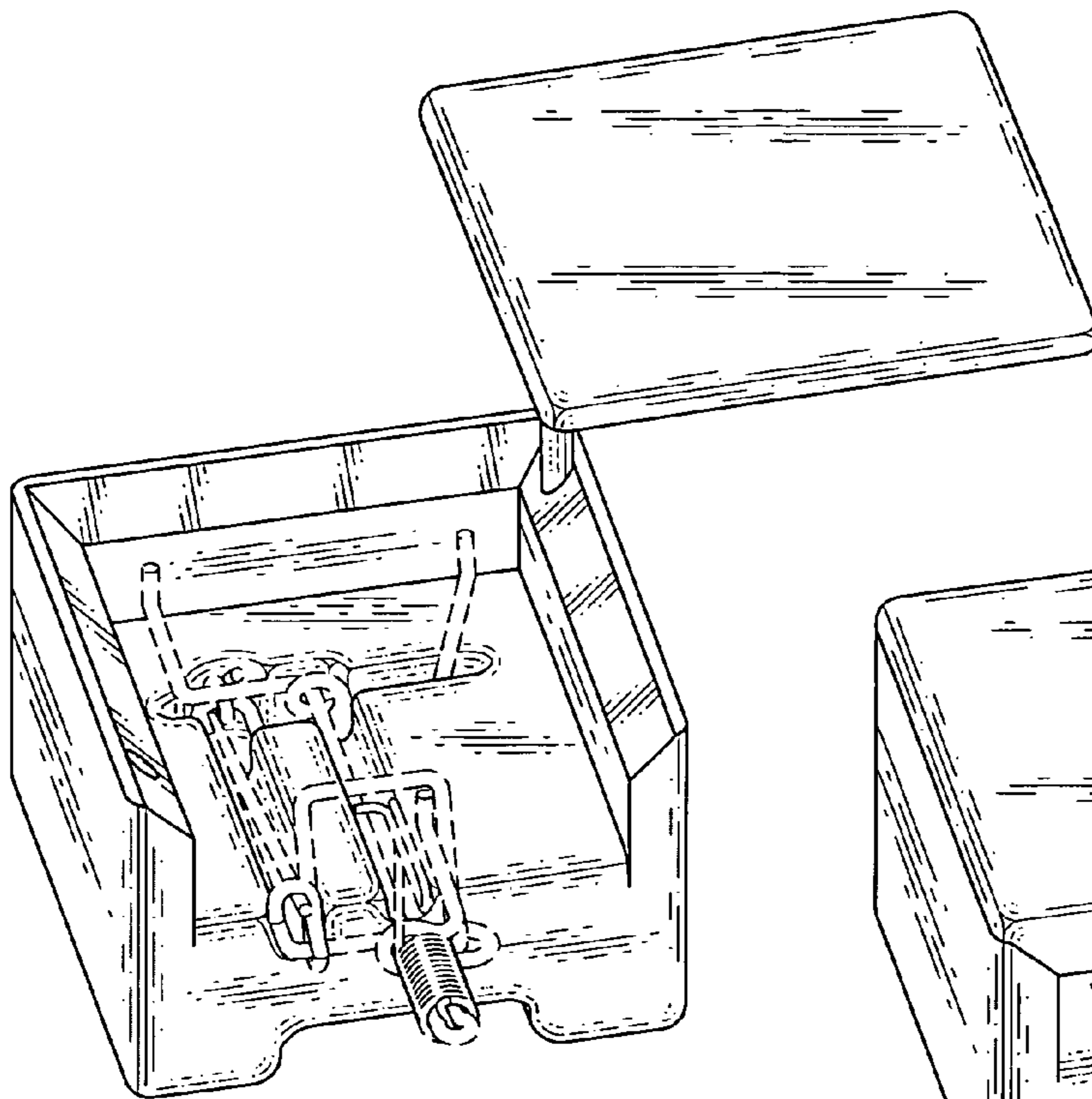


Fig. 12

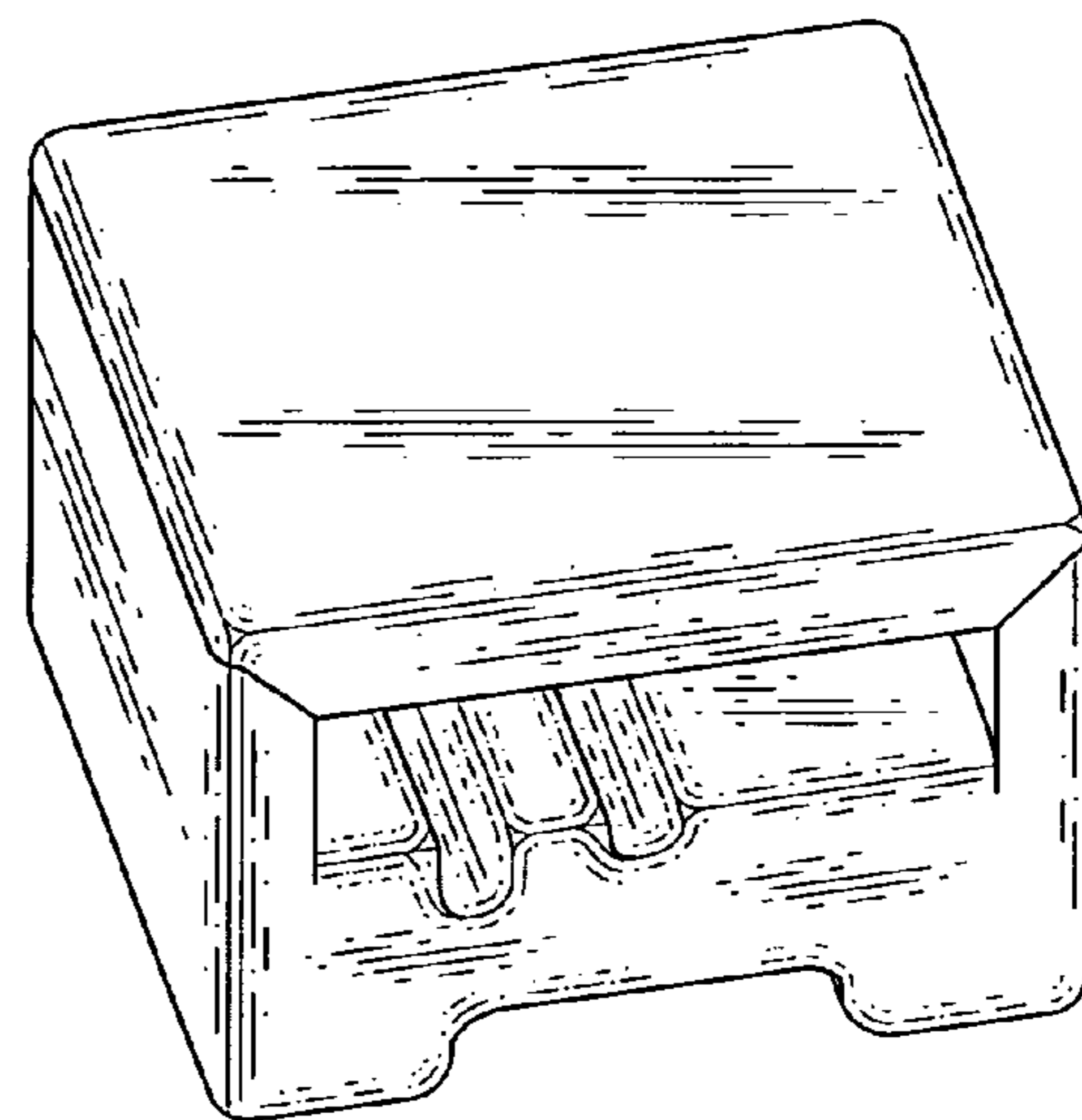


Fig. 13

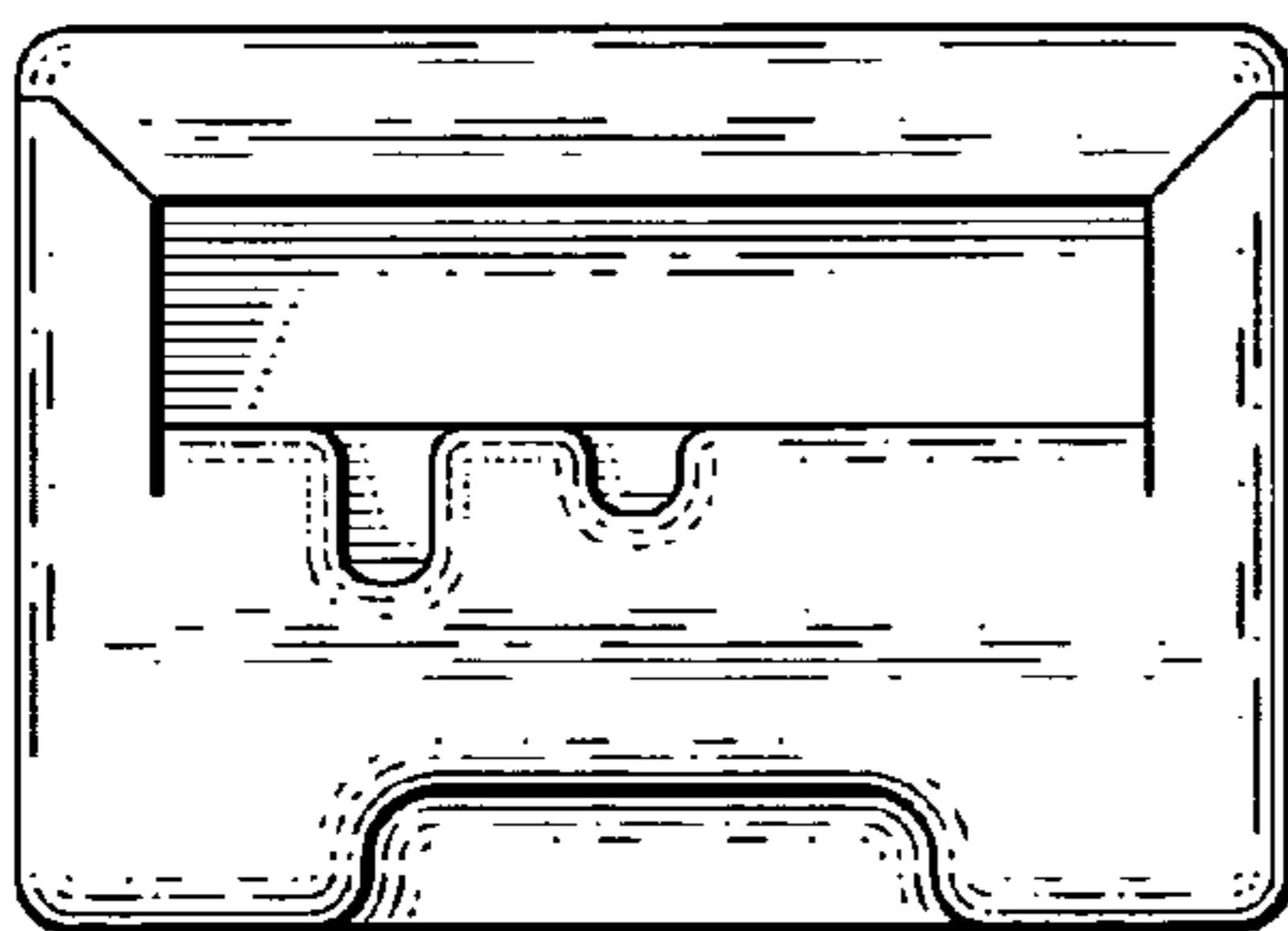


Fig. 14

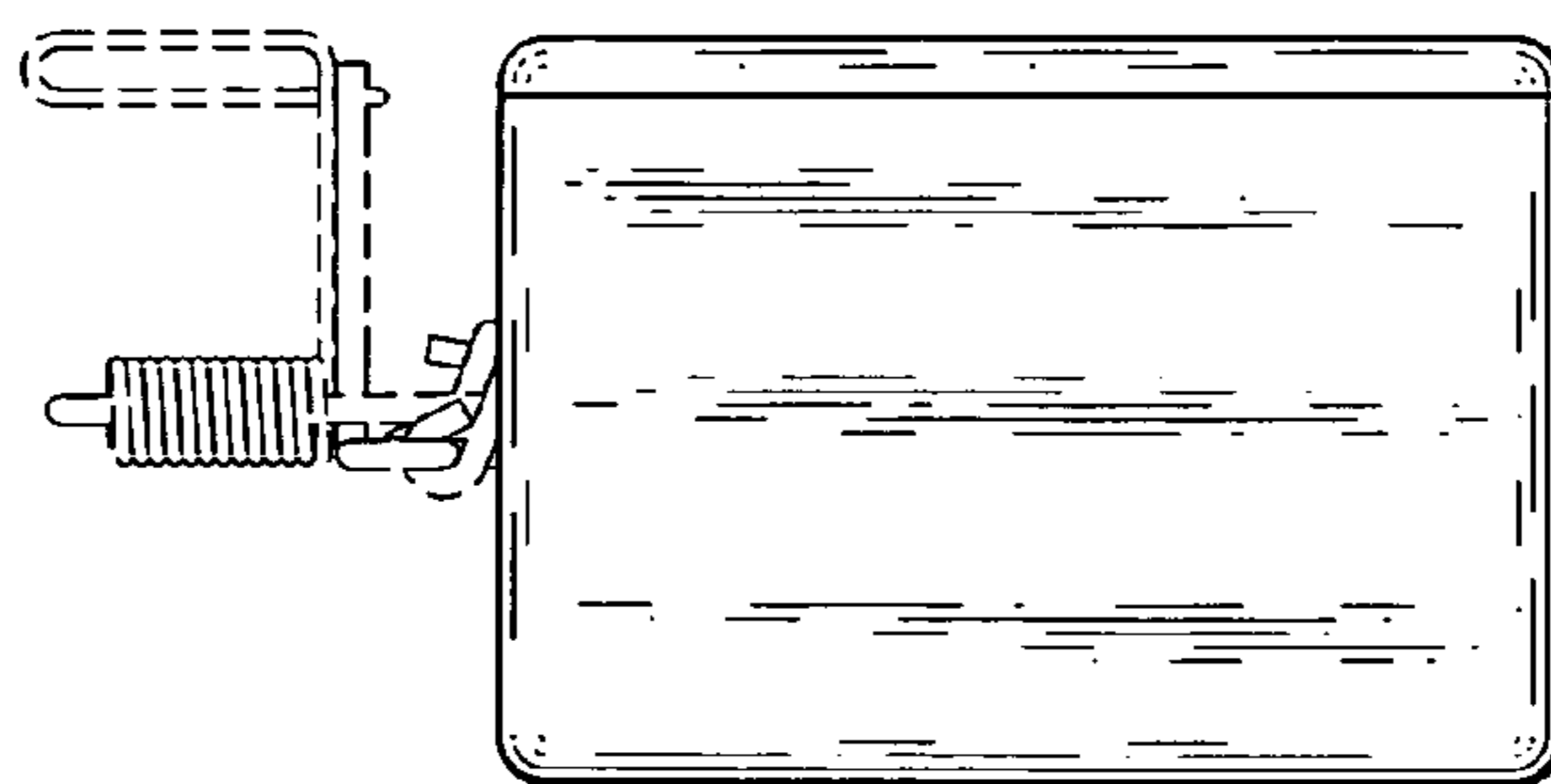


Fig. 15

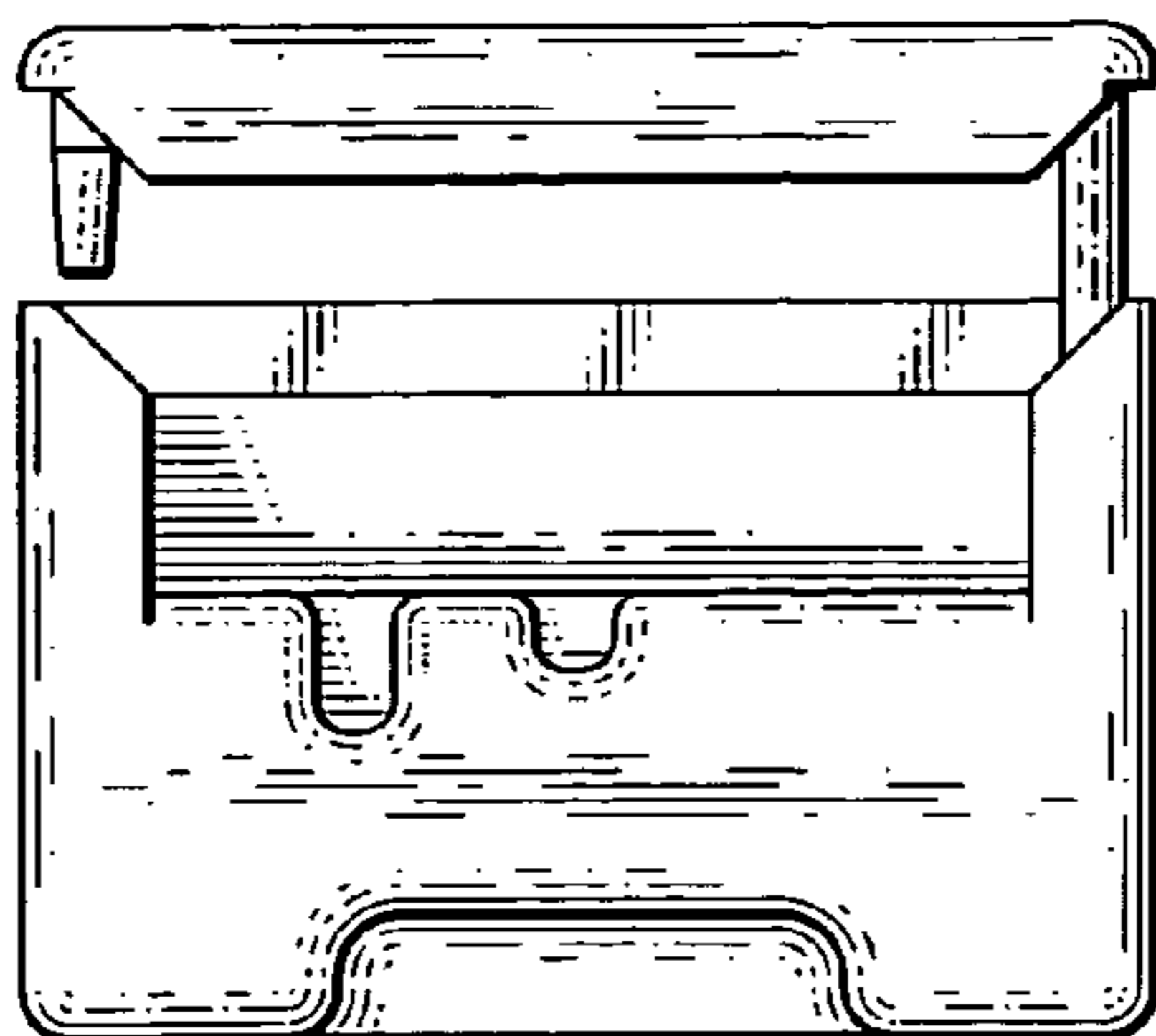


Fig. 16

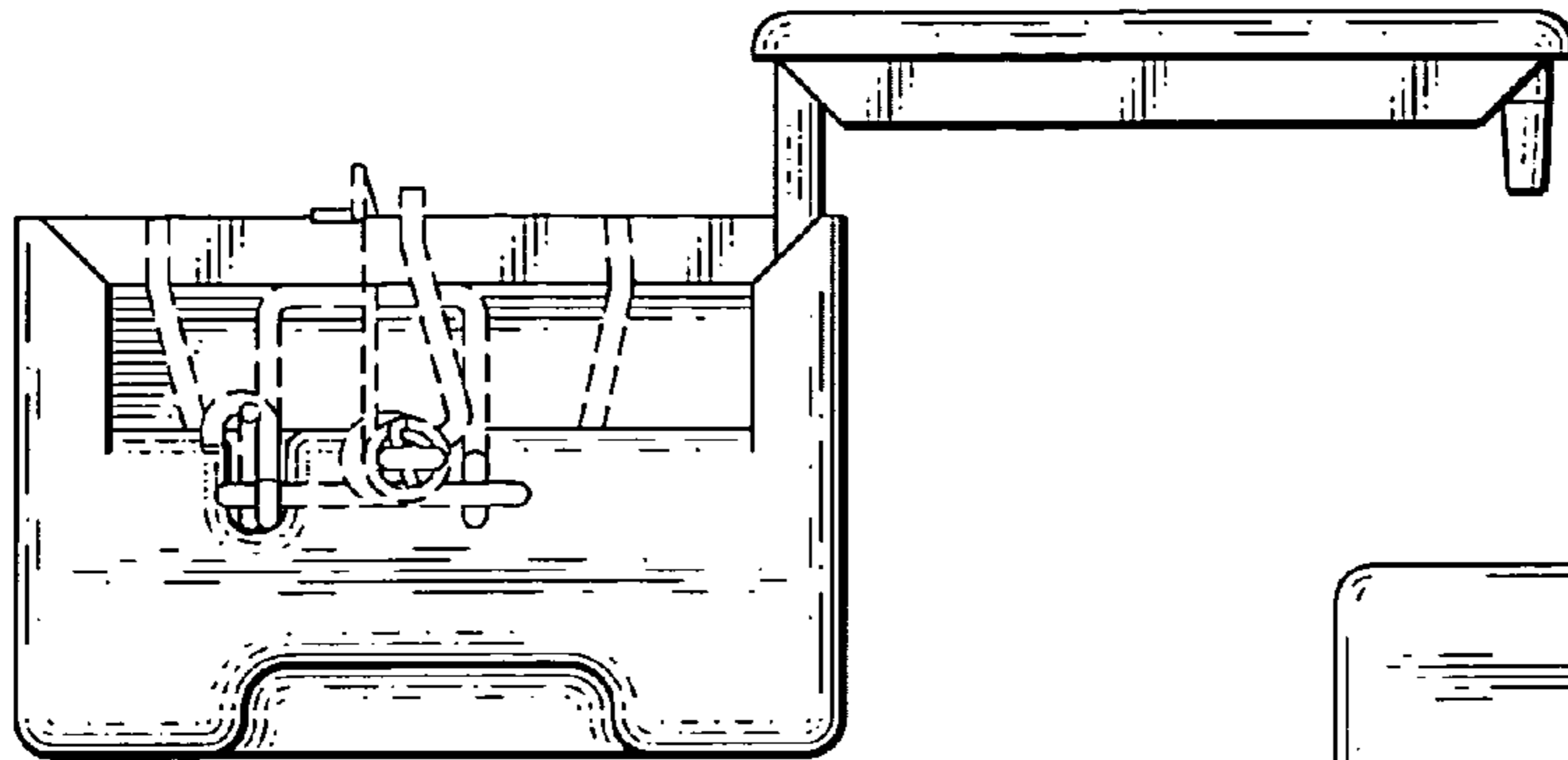


Fig. 17

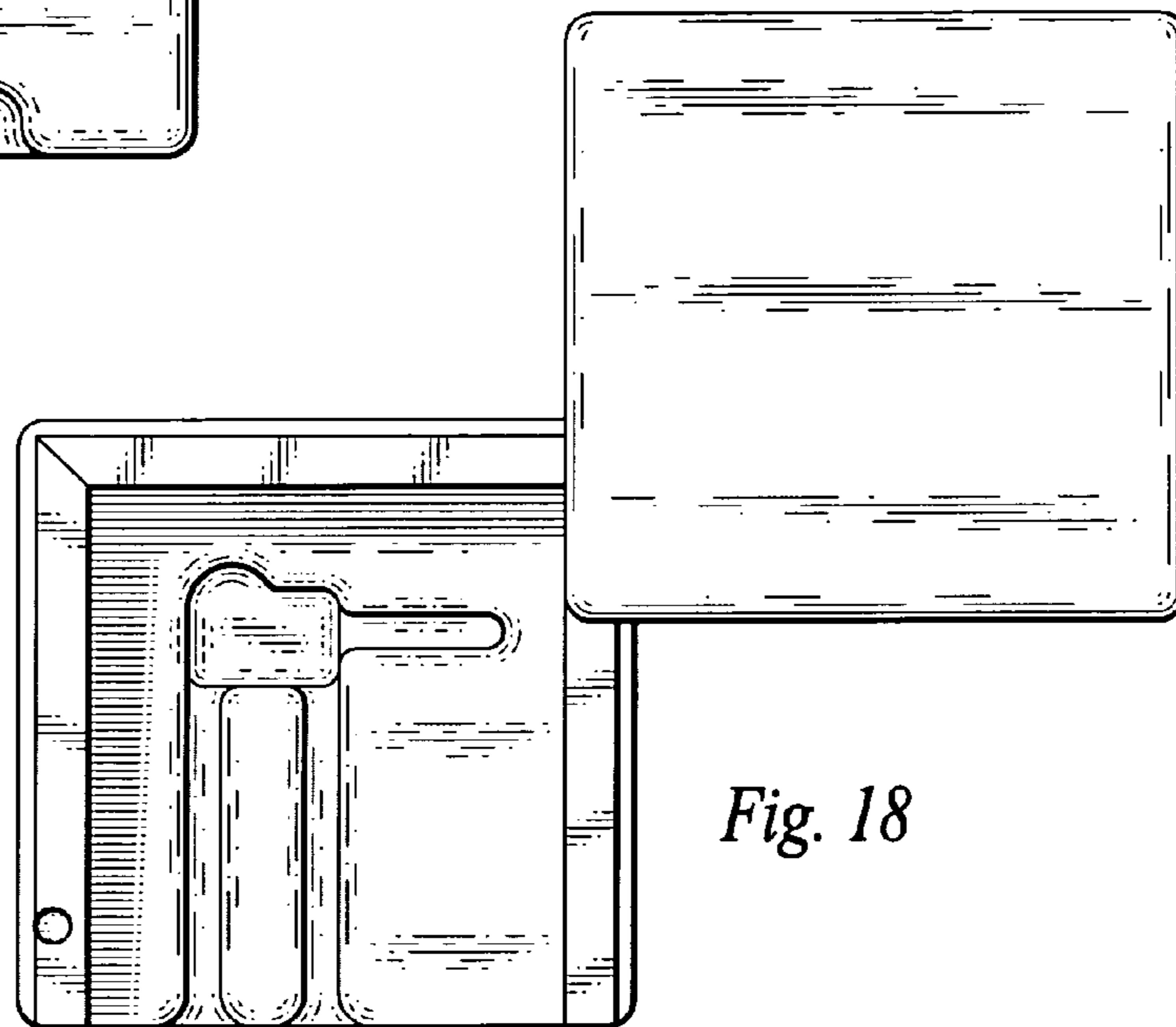


Fig. 18

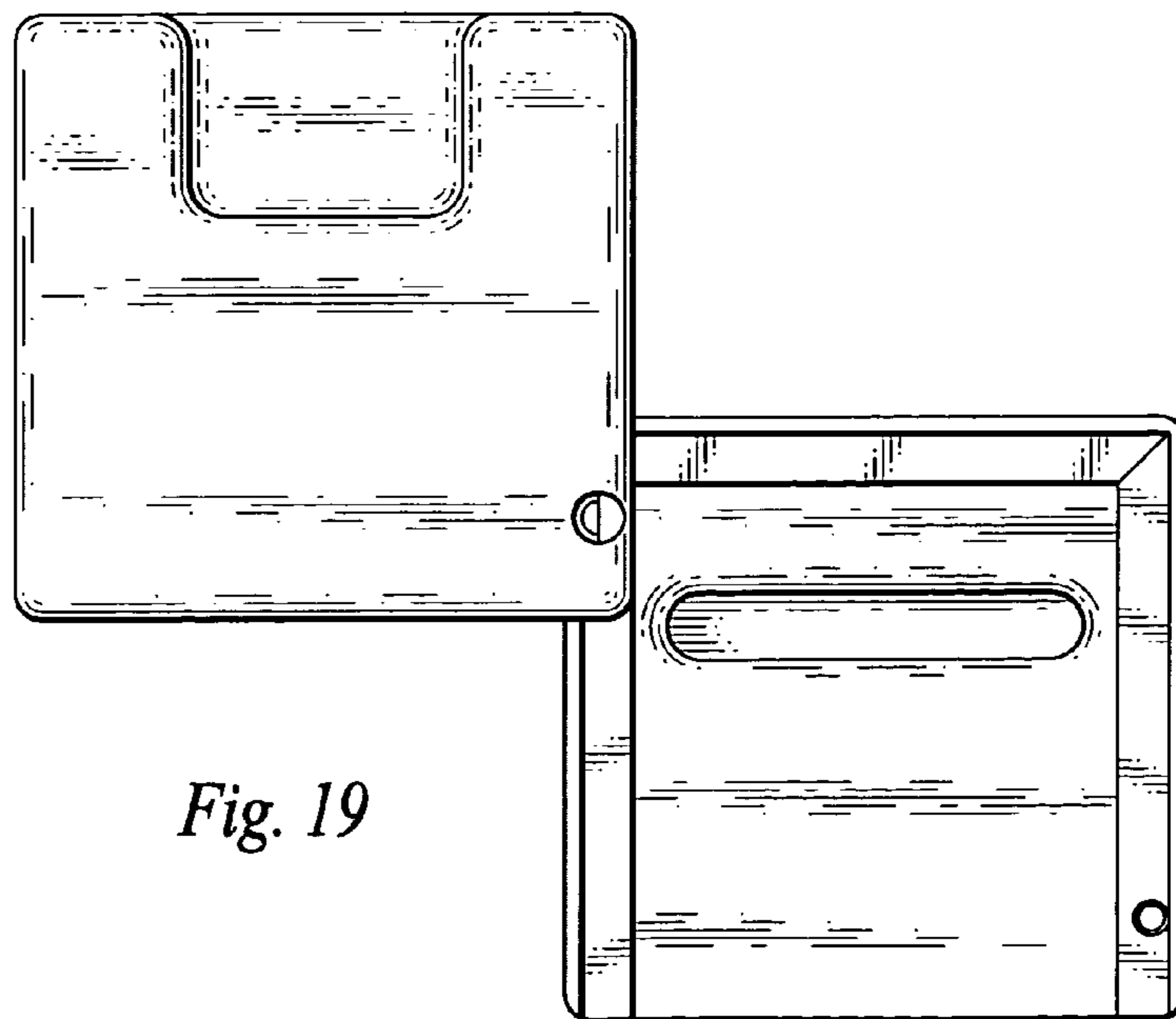


Fig. 19