



US00D661366S

(12) **United States Design Patent**  
**Zusman**

(10) **Patent No.:** **US D661,366 S**  
(45) **Date of Patent:** **\*\* Jun. 5, 2012**

(54) **SMALL ARMS WEAPON STOCK**  
(76) Inventor: **Nisim Zusman**, Moshav Ein Ayala (IL)  
(\*\*) Term: **14 Years**  
(21) Appl. No.: **29/383,192**  
(22) Filed: **Jan. 13, 2011**  
(51) **LOC (9) Cl.** ..... **22-01**  
(52) **U.S. Cl.** ..... **D22/108**  
(58) **Field of Classification Search** ..... D22/100,  
D22/101, 103, 104, 108, 199; D21/572,  
D21/573; 42/51, 90, 71.01, 71.02, 73, 75.01,  
42/75.02; 89/40.06, 37.04, 33.04; 124/66,  
124/67, 74  
See application file for complete search history.

4,327,626 A 5/1982 McQueen  
4,512,101 A 4/1985 Waterman, Jr.  
4,551,937 A 11/1985 Seahase  
4,697,367 A 10/1987 Brophy  
4,735,007 A 4/1988 Gal  
4,788,785 A \* 12/1988 White ..... 42/72  
D324,557 S 3/1992 Livingston  
5,209,215 A 5/1993 Morrison  
5,225,613 A 7/1993 Claridge  
5,622,000 A 4/1997 Marlowe

(Continued)

**FOREIGN PATENT DOCUMENTS**

CN 300736403 1/2008

**OTHER PUBLICATIONS**

U.S. Appl. No. 61/417,950, filed Nov. 30, 2010, Zusman.

(Continued)

(56) **References Cited**

**U.S. PATENT DOCUMENTS**

294,402 A 3/1884 Onderdonk  
319,613 A 6/1885 Onderdonk  
436,997 A 9/1890 Quackenbush  
746,859 A 12/1903 Marble  
922,173 A 5/1909 Lovelace  
931,328 A 8/1909 Marble  
961,511 A 6/1910 Marble  
1,051,960 A 2/1913 Kennedy  
1,036,490 A 2/1914 Weathers  
1,156,293 A 10/1915 Jorgenson  
1,174,840 A 3/1916 Fisher  
1,485,456 A 3/1924 Von Frommer  
1,734,852 A 11/1929 Frampton et al.  
1,822,875 A 9/1931 Ammann  
2,098,139 A 11/1937 Foley et al.  
2,400,422 A 5/1946 Jonhson, Jr.  
2,433,151 A 12/1947 Parsons  
2,766,542 A 10/1956 Harvey  
3,044,204 A 7/1962 Zimmerman  
3,348,328 A 10/1967 Roy  
3,618,248 A 11/1971 Into et al.  
3,618,249 A 11/1971 Grandy  
4,141,166 A 2/1979 Schultz  
4,271,623 A 6/1981 Beretta

*Primary Examiner* — Michael Pratt  
(74) *Attorney, Agent, or Firm* — Law Office of Athur M. Antonelli, PLLC

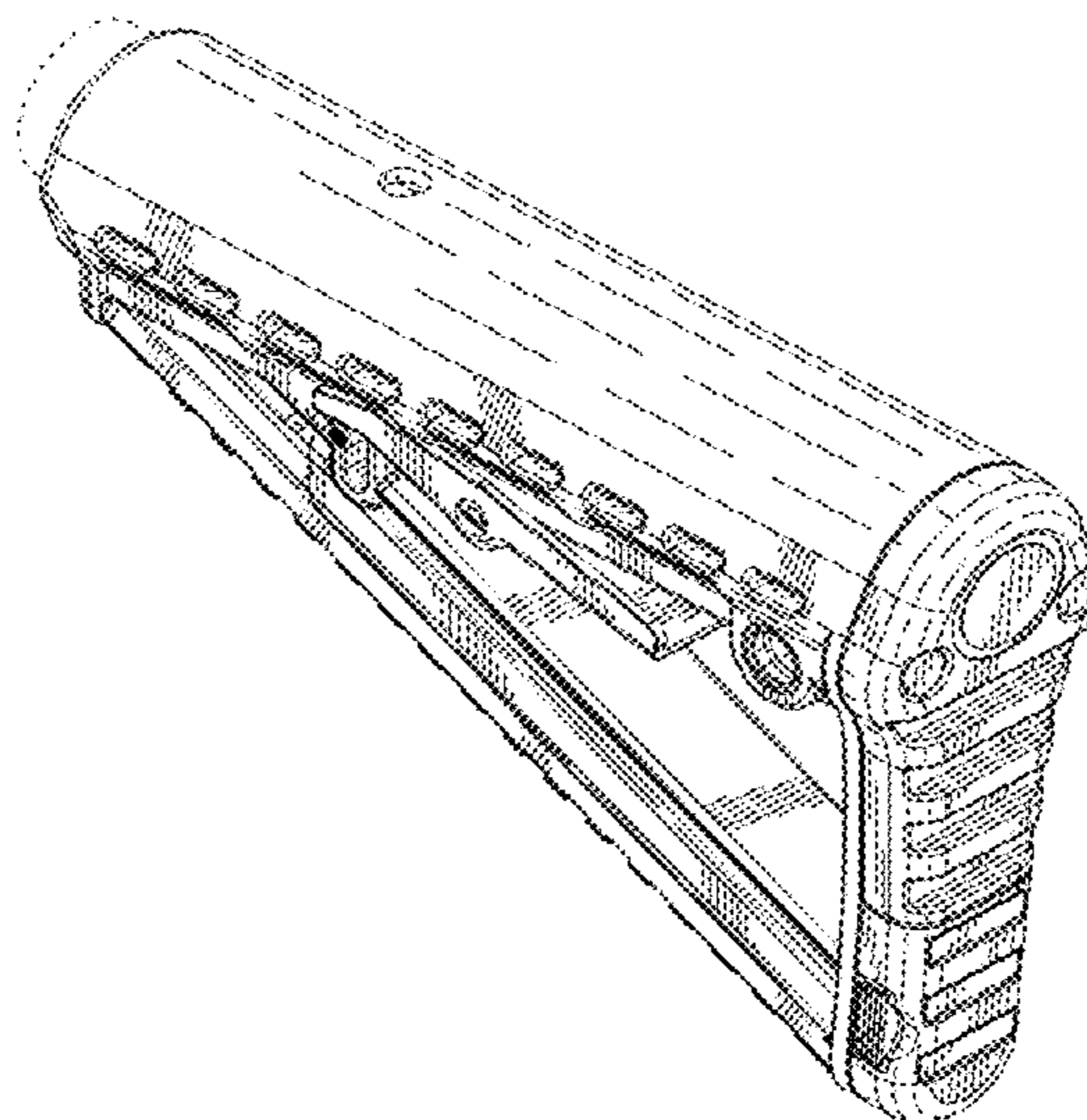
(57) **CLAIM**

The ornamental design for a small arms weapon stock, as shown and described.

**DESCRIPTION**

FIG. 1 is a perspective view of a small arms weapon stock in accordance with my new design;  
FIG. 2 is a front left bottom perspective view thereof;  
FIG. 3 is a front view thereof;  
FIG. 4 is a rear view thereof;  
FIG. 5 is left side view thereof;  
FIG. 6 is a right side view thereof;  
FIG. 7 is a top view thereof; and,  
FIG. 8 is a bottom view thereof.  
All portions shown in broken lines are environmental and illustrative only and form no part of the claimed design.

**1 Claim, 6 Drawing Sheets**



# US D661,366 S

Page 2

## U.S. PATENT DOCUMENTS

5,711,102	A	1/1998	Plaster et al.	7,810,270	B2	10/2010	Fitzpatrick et al.
D391,334	S	2/1998	Plaster et al.	7,823,313	B2	11/2010	Faifer
5,907,918	A	6/1999	Langevin et al.	7,827,722	B1	11/2010	Davies
6,598,329	B1	7/2003	Alexander	2003/0110675	A1	6/2003	Garrett et al.
6,598,330	B2	7/2003	Garrett et al.	2003/0196366	A1	10/2003	Beretta
6,651,371	B2	11/2003	Fitzpatrick et al.	2003/0200693	A1	10/2003	Seifert
6,829,855	B2	12/2004	Seifert	2004/0016167	A1	1/2004	Fitzpatrick et al.
6,839,998	B1	1/2005	Armstrong	2005/0108915	A1	5/2005	Kincel
6,874,267	B2	4/2005	Fitzpatrick et al.	2005/0262752	A1	12/2005	Robinson et al.
6,925,743	B1	8/2005	DiGiovanna	2006/0096146	A1	5/2006	Fitzpatrick et al.
7,104,001	B1	9/2006	Digiovanna	2006/0254414	A1	11/2006	Kuczynko et al.
7,131,228	B2	11/2006	Hochstrate et al.	2007/0261284	A1	11/2007	Keng
7,152,355	B2	12/2006	Fitzpatrick et al.	2008/0236016	A1	10/2008	Fitzpatrick et al.
7,162,822	B1	1/2007	Heayn et al.	2008/0236017	A1	10/2008	Fitzpatrick et al.
7,337,573	B1	3/2008	Digiovanna	2008/0301994	A1	12/2008	Langevin et al.
7,398,616	B1	7/2008	Weir	2009/0139128	A1	6/2009	Fluhr
7,418,797	B1	9/2008	Cröse	2009/0178325	A1	7/2009	Veilleux
7,428,794	B2	9/2008	Oz	2009/0241397	A1	10/2009	Fitzpatrick et al.
D584,373	S	1/2009	Young	2009/0255161	A1	10/2009	Fitzpatrick et al.
D589,578	S	3/2009	Choma	2010/0115817	A1	5/2010	Faifer
D600,308	S	9/2009	Fitzpatrick et al.	2010/0180485	A1	7/2010	Cabahug et al.
7,587,852	B1	9/2009	Harms	2010/0192444	A1	8/2010	Cabahug et al.
D603,013	S	10/2009	Fitzpatrick et al.	2010/0192446	A1	8/2010	Darian
D604,794	S	11/2009	Bentley	2010/0192447	A1	8/2010	Cabahug et al.
7,610,711	B2	11/2009	Oz	2010/0205846	A1*	8/2010	Fitzpatrick et al. .... 42/73
7,627,975	B1	12/2009	Hines	2010/0251591	A1	10/2010	Burt et al.
7,640,688	B2	1/2010	Oz	2010/0275489	A1	11/2010	Cabahug et al.
7,647,719	B2	1/2010	Fitzpatrick et al.	2010/0300277	A1	12/2010	Hochstrate et al.
7,654,187	B2	2/2010	Hochstrate et al.				
D616,056	S	5/2010	Bentley				
7,743,544	B2	6/2010	Laney et al.				
D620,067	S	7/2010	Saur				
7,762,018	B1	7/2010	Fitzpatrick et al.				
7,775,150	B2	8/2010	Hochstrate et al.				
7,805,873	B2	10/2010	Bentley				

## OTHER PUBLICATIONS

U.S. Appl. No. 61/360,487, filed Jun. 30, 2010, Zusman.

Locarno (International Designs) search results: Jan. 10, 2011, pp. 1-16.

\* cited by examiner

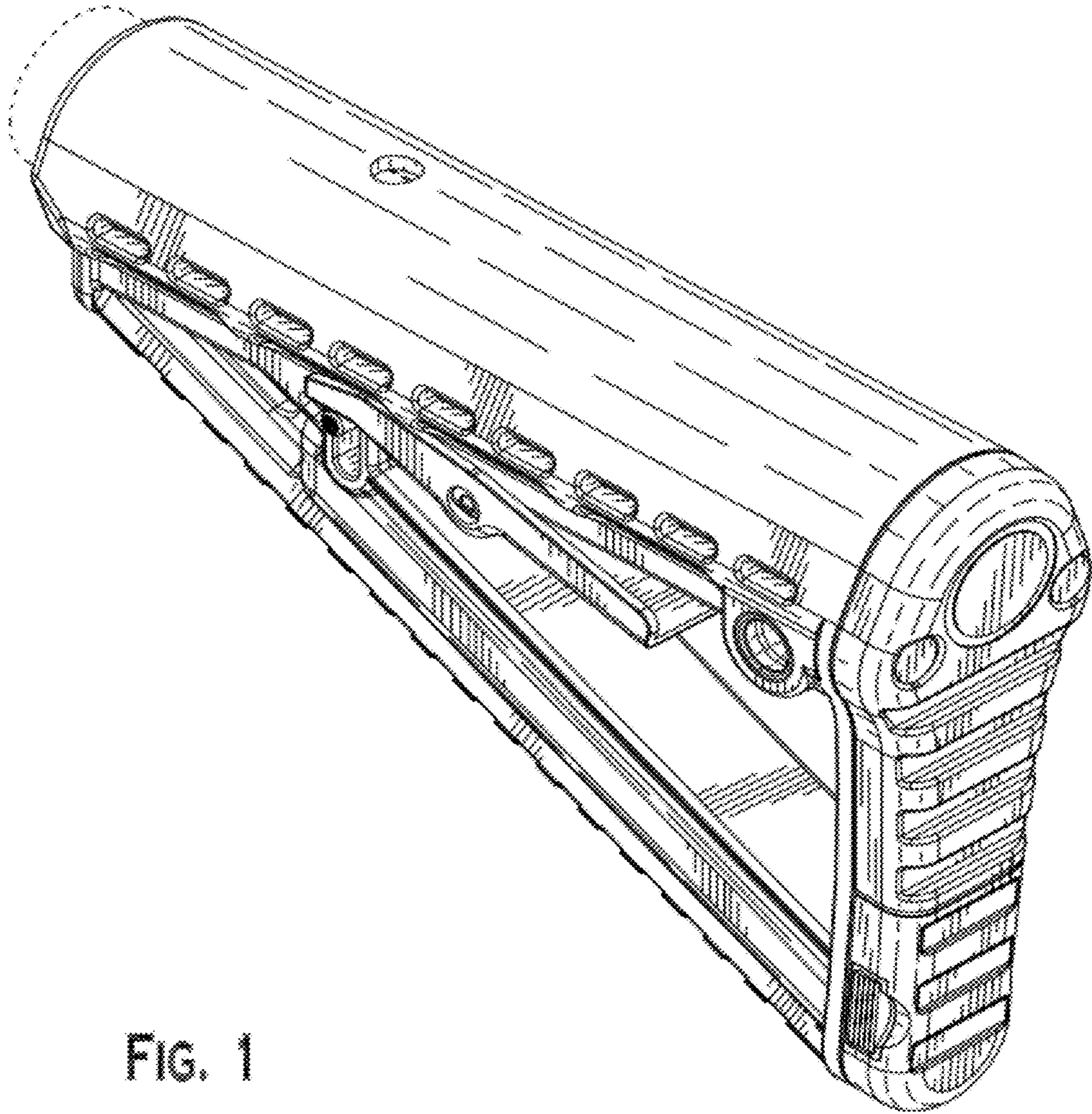


FIG. 1

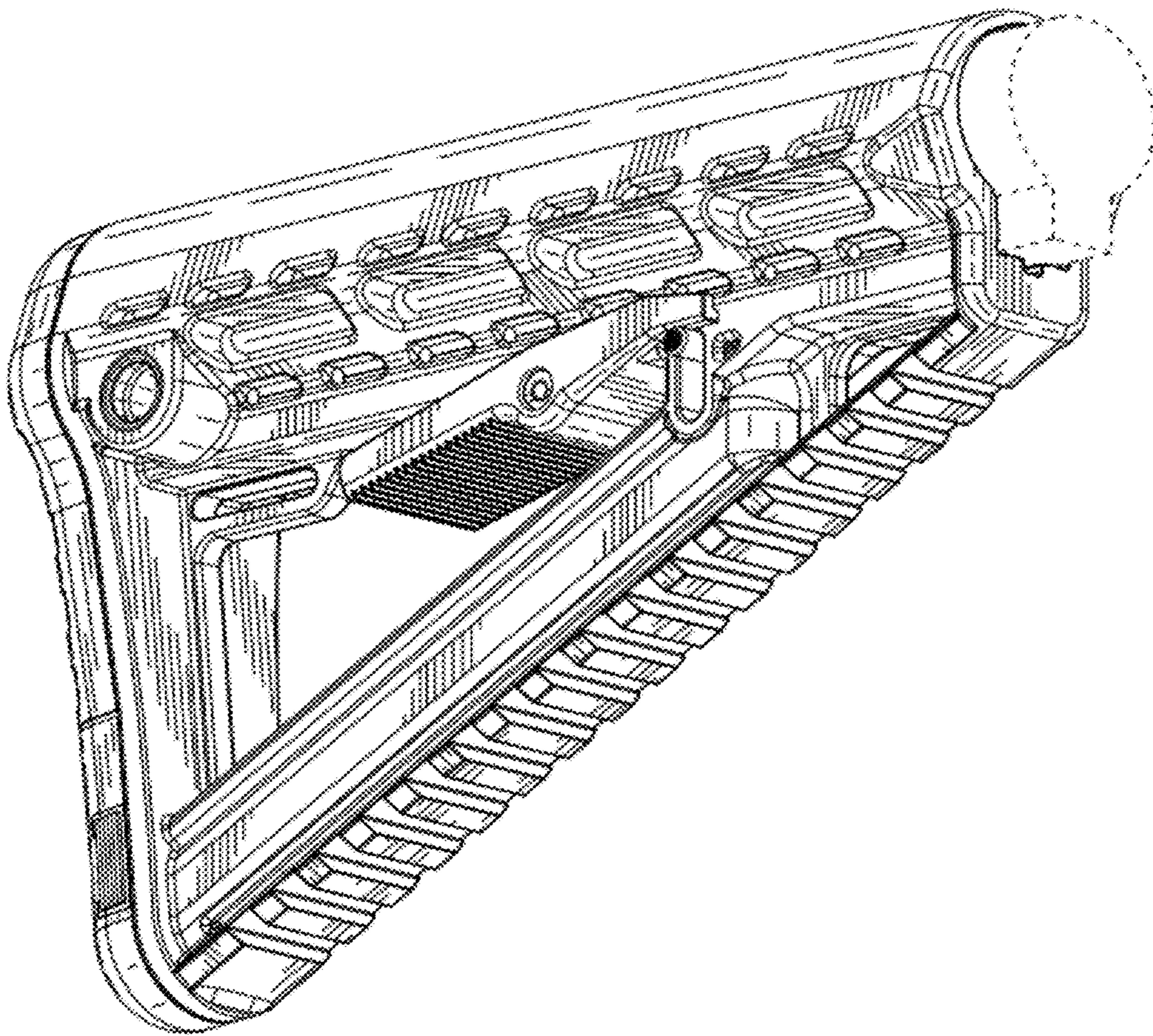


FIG. 2

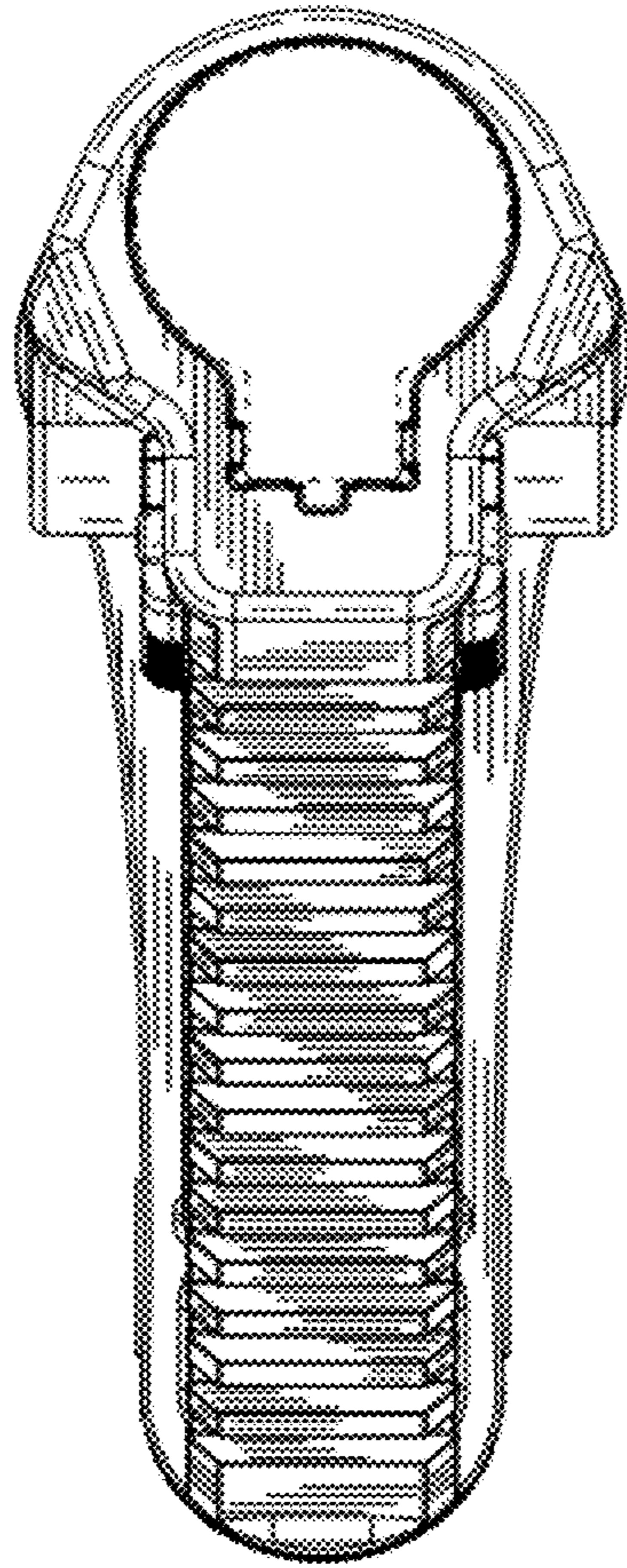


FIG. 3

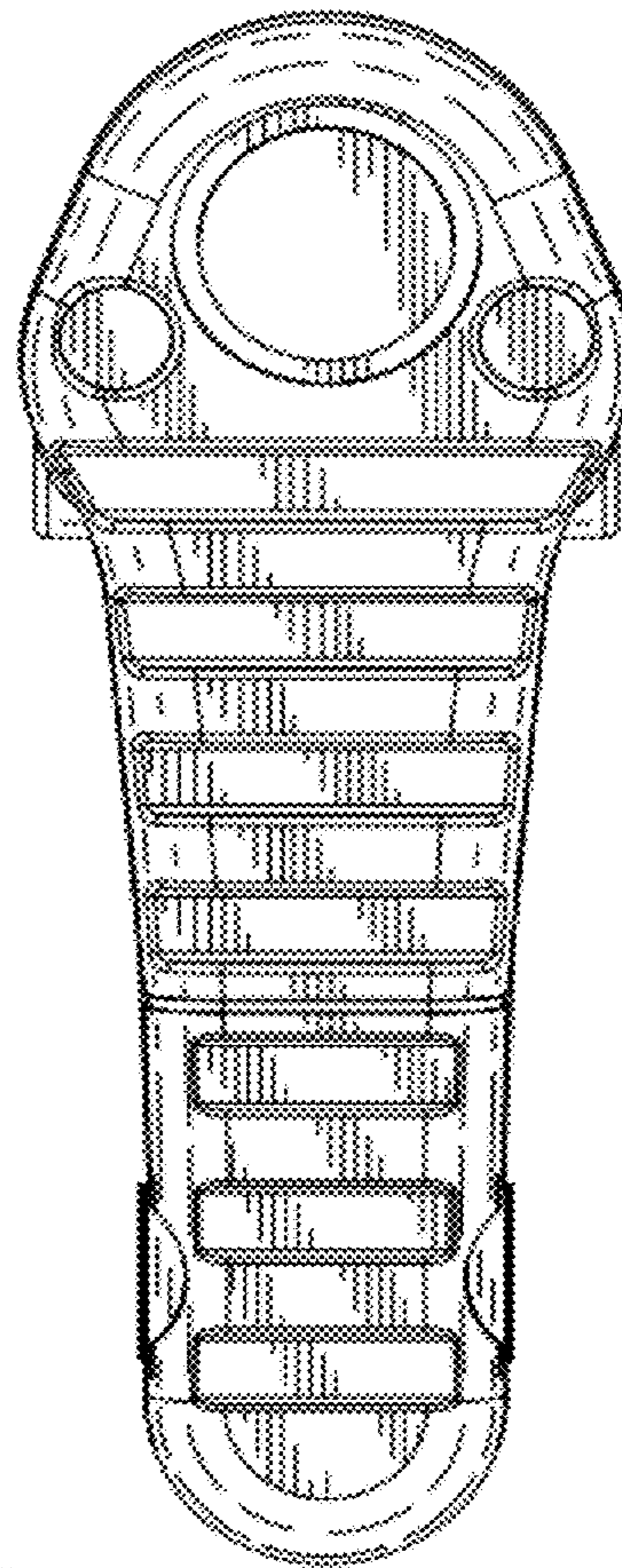


FIG. 4

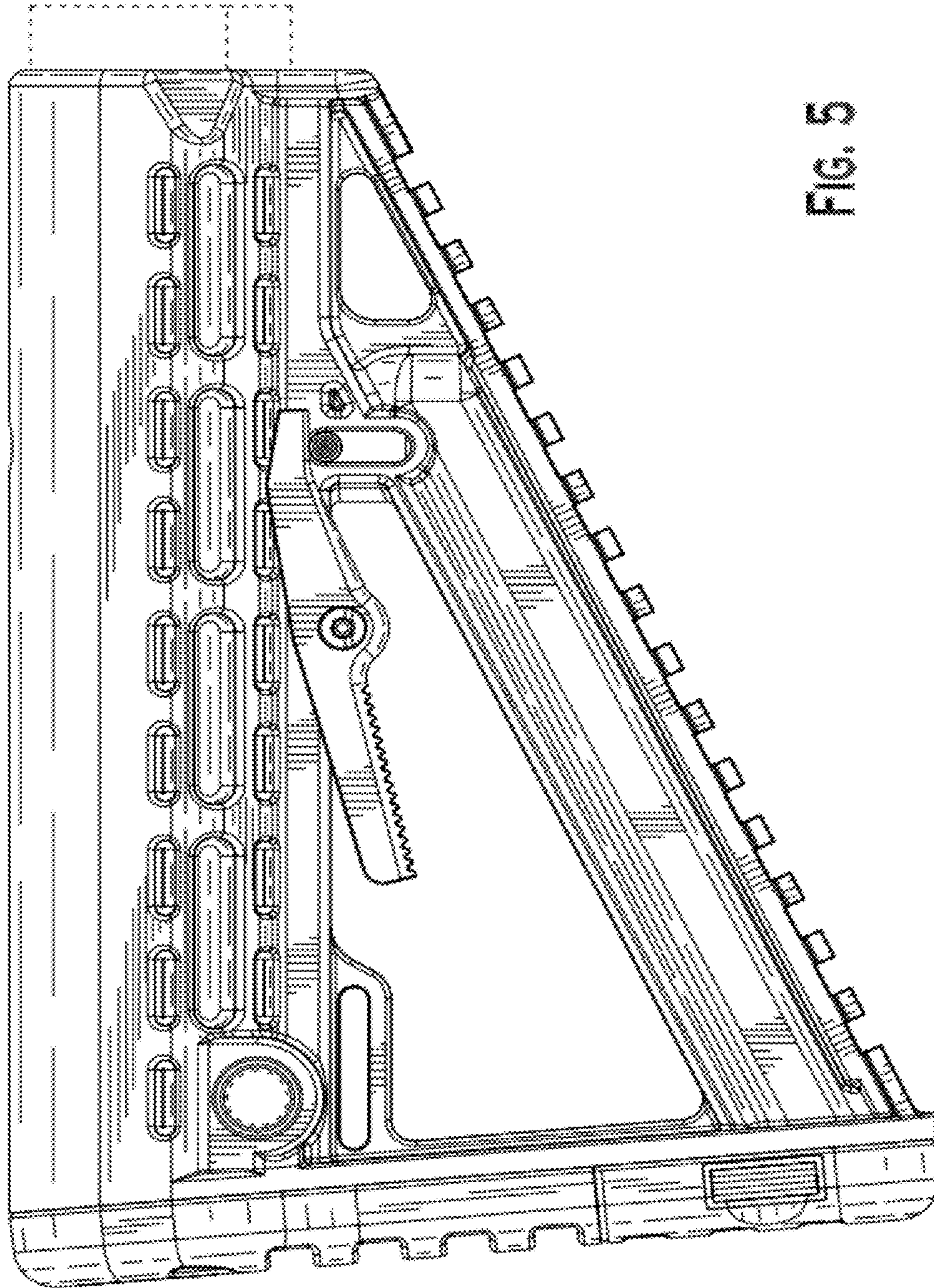


FIG. 5

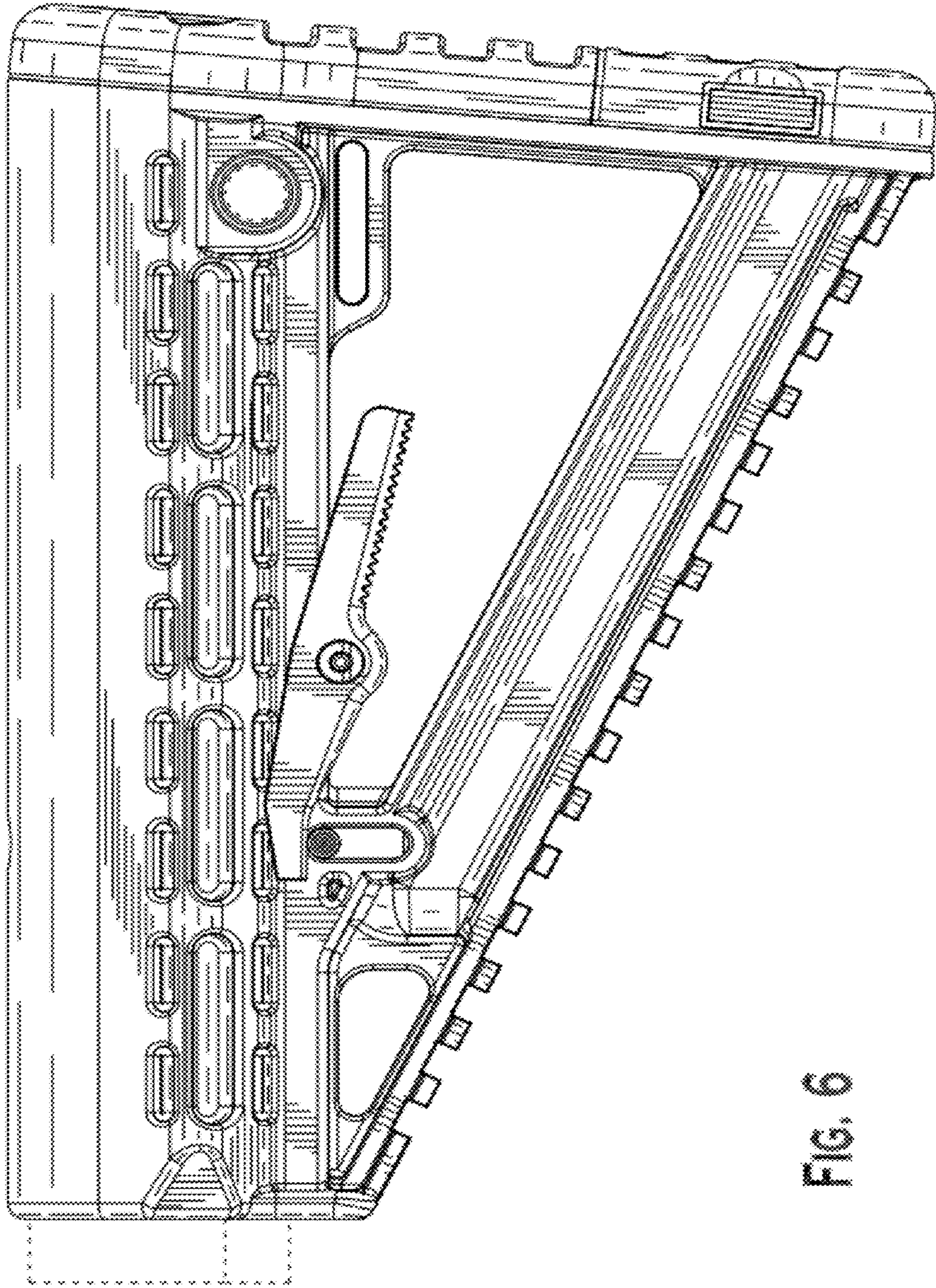


FIG. 6

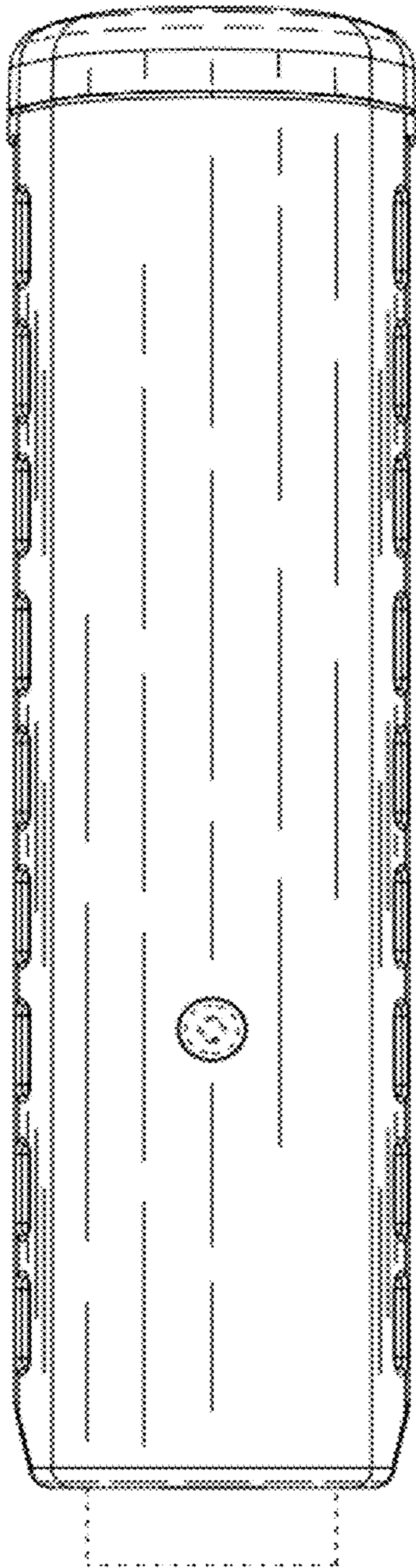


FIG. 7

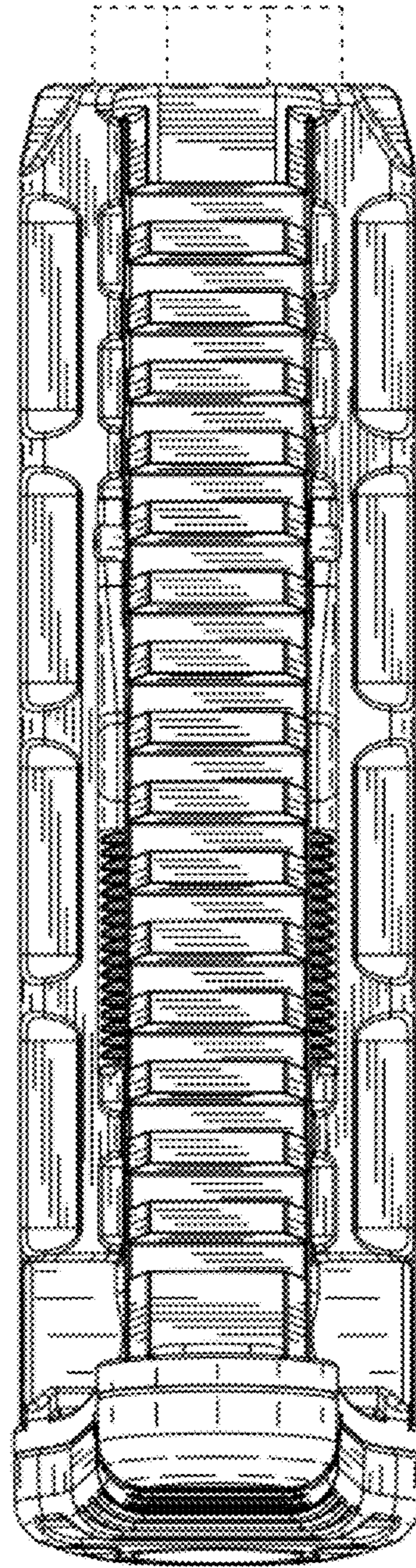


FIG. 8