

US00D661361S

(12) **United States Design Patent**
Fens

(10) **Patent No.:** **US D661,361 S**
(45) **Date of Patent:** **** Jun. 5, 2012**

(54) **BULL TIRE SWING**

(75) Inventor: **Ryan J. Fens**, Dubuque, IA (US)

(73) Assignee: **DDI, Inc.**, Dubuque, IA (US)

(**) Term: **14 Years**

(21) Appl. No.: **29/394,314**

(22) Filed: **Jun. 15, 2011**

(51) **LOC (9) Cl.** **21-03**

(52) **U.S. Cl.** **D21/825**

(58) **Field of Classification Search** D21/811,
D21/814, 823-825; 472/118-125, 95-105
See application file for complete search history.

(56) **References Cited**

U.S. PATENT DOCUMENTS

D138,371 S *	7/1944	Churchill	D21/825
D210,036 S *	1/1968	Gervals	D21/825
D226,489 S *	3/1973	Kimble	D21/824
D260,544 S *	9/1981	Ament et al.	D21/825
D272,170 S *	1/1984	Noller	D21/825
D275,508 S *	9/1984	Osterman	D21/825
D292,016 S *	9/1987	Osterman	D21/825
D340,103 S *	10/1993	Nolan	D21/824
D367,099 S *	2/1996	Coddington et al.	D21/823
D424,649 S *	5/2000	Hilliker	D21/825
D623,715 S *	9/2010	Fens	D21/825

OTHER PUBLICATIONS

“Pony Pal Tire Swings”, www.ponypal.net/product.html (Sep. 4, 2009).

Wildlife Creations, <http://www.originaltireswings.com/TireSwings.html> (Jun. 6, 2011).

* cited by examiner

Primary Examiner — Mitchell Siegel

(74) *Attorney, Agent, or Firm* — Rathe Lindenbaum LLP

(57) **CLAIM**

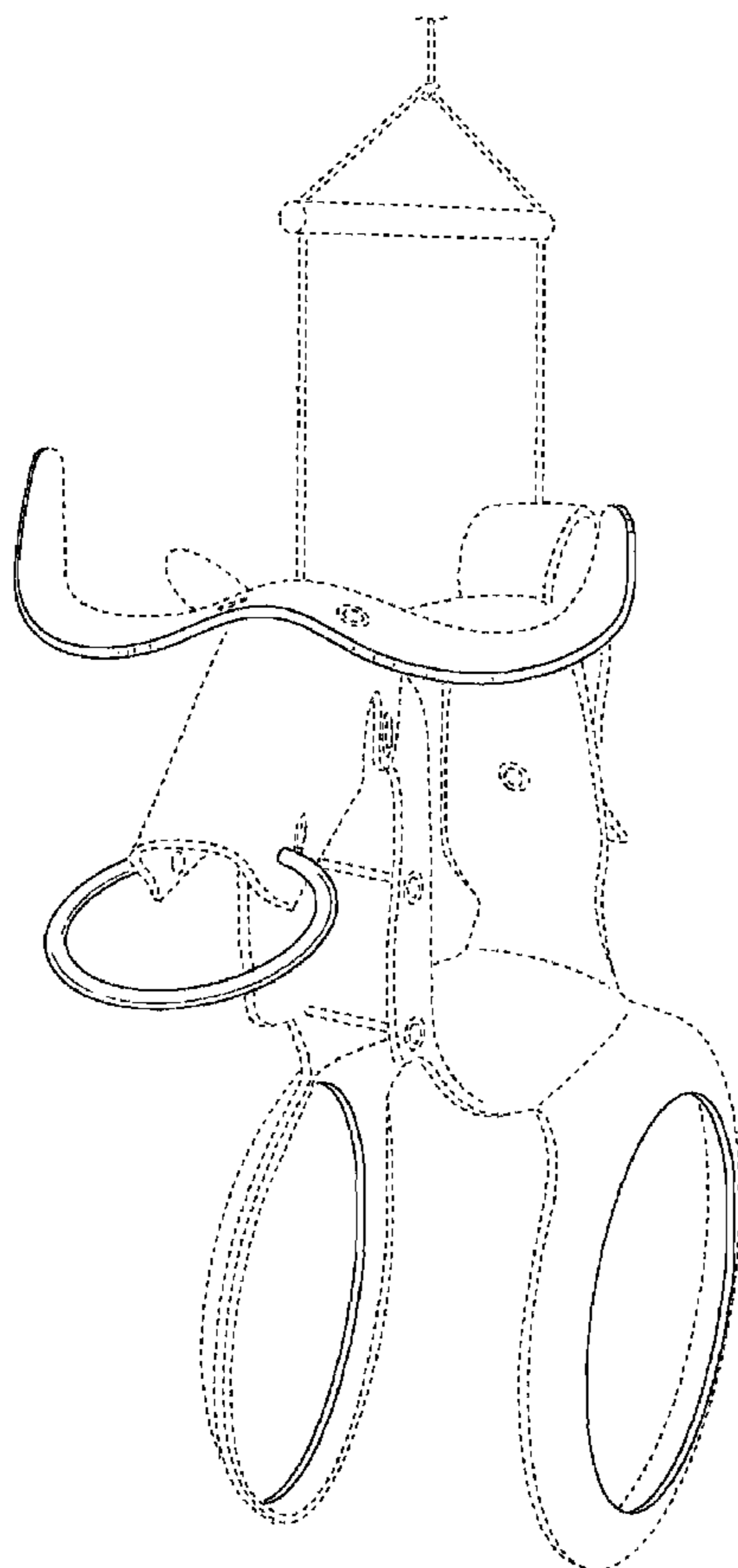
I claim the ornamental design for a bull tire swing, as shown and described.

DESCRIPTION

FIG. 1 is a top perspective view of a bull tire swing;
FIG. 2 is a front elevational view thereof,
FIG. 3 is a left side elevational view thereof;
FIG. 4 is a rear elevational view thereof,
FIG. 5 is a right side elevational view thereof;
FIG. 6 is a top plan view thereof; and,
FIG. 7 is a bottom plan view thereof.

The ornamental design which is claimed is shown in solid lines in the drawings. The broken lines in the drawings are for illustrative purposes only and form no part of the claimed design.

1 Claim, 7 Drawing Sheets



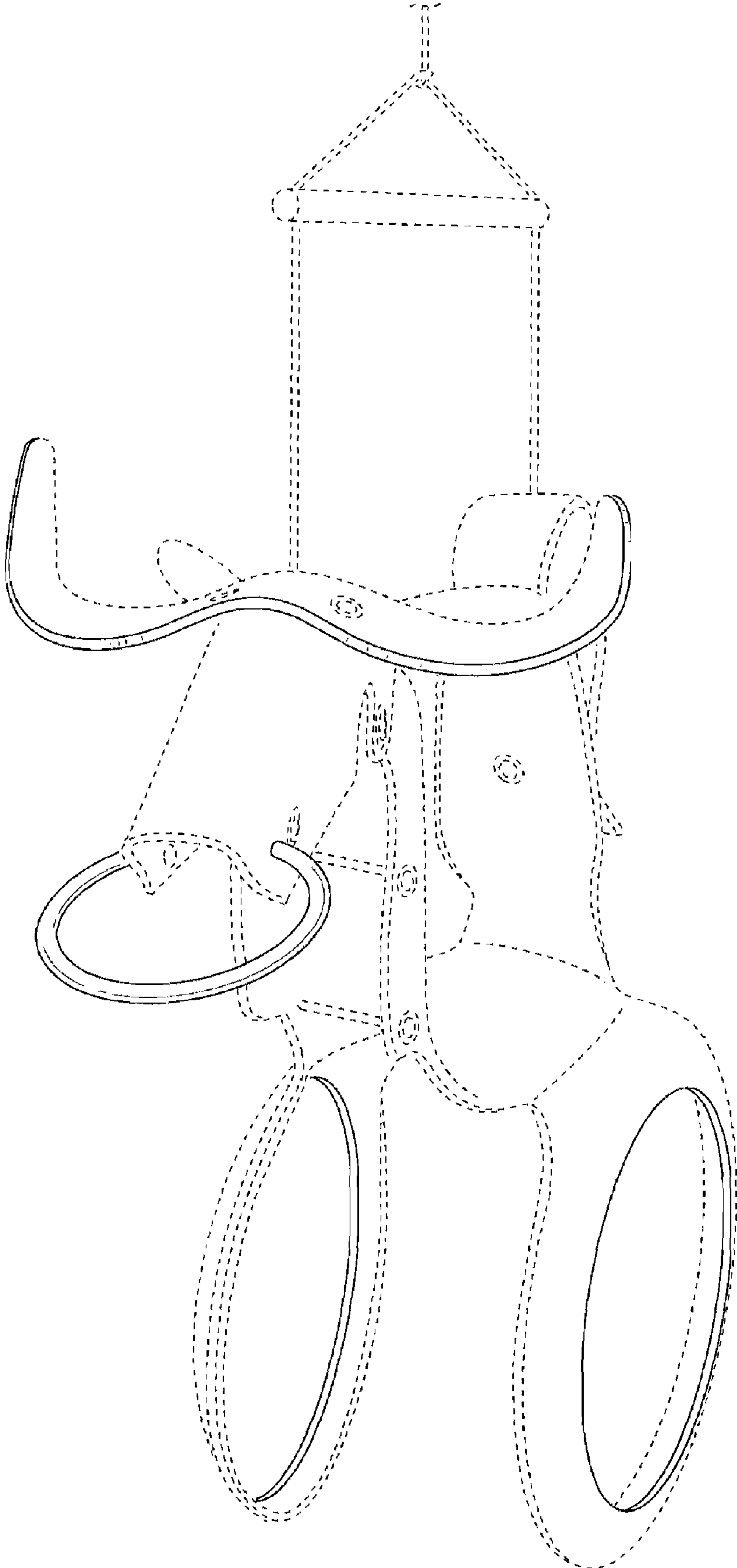


FIG. 1

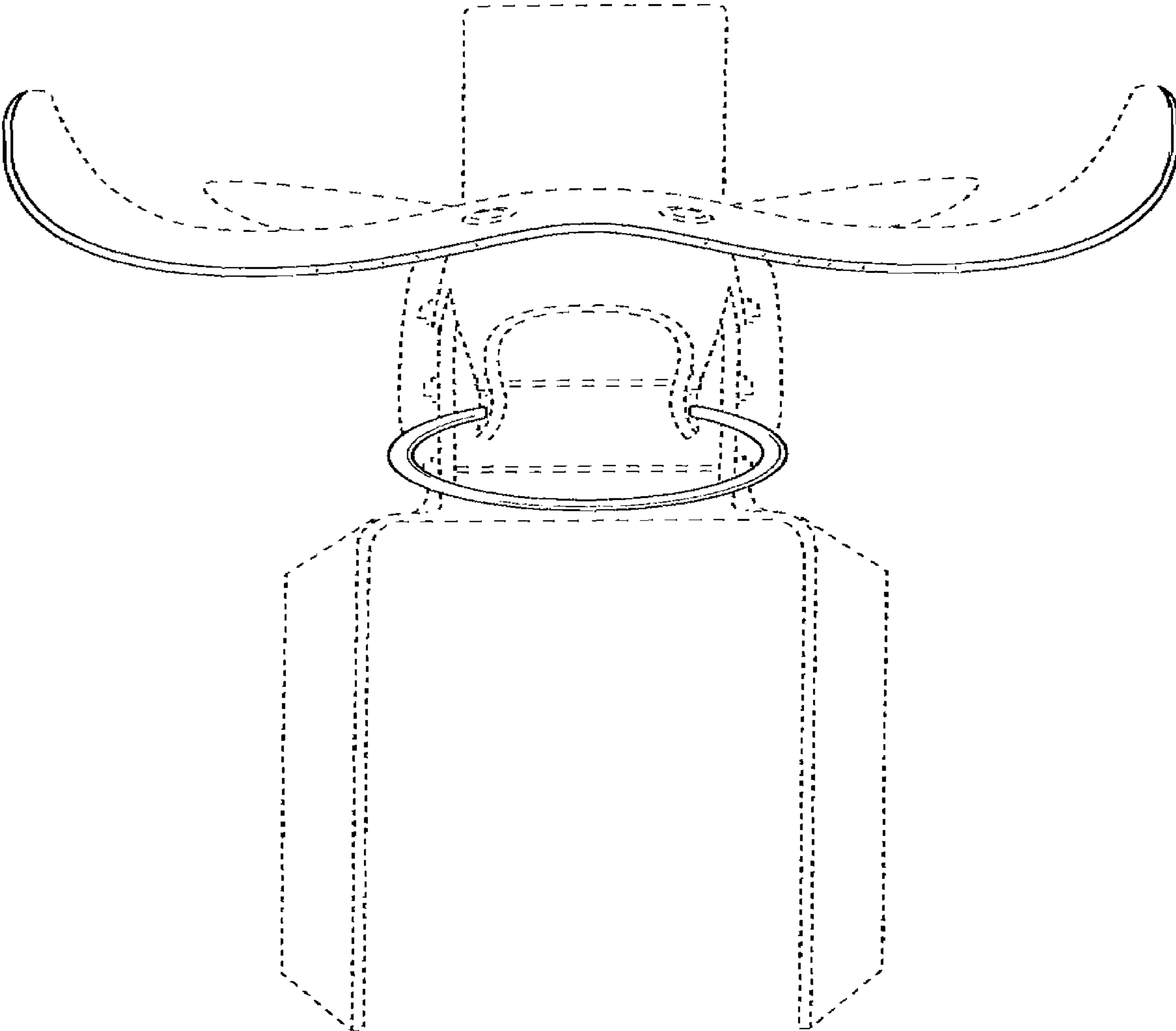


FIG. 2

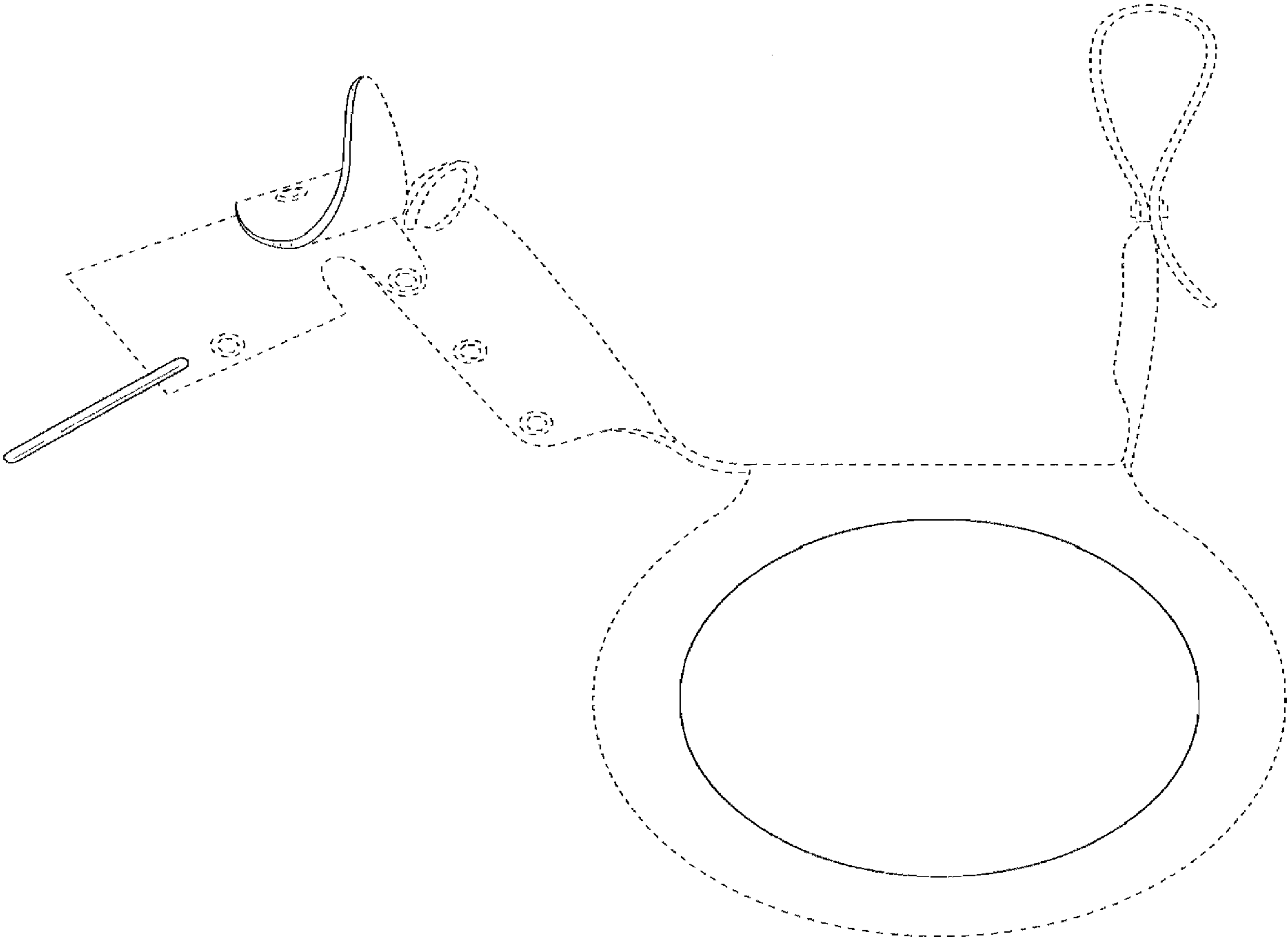


FIG. 3

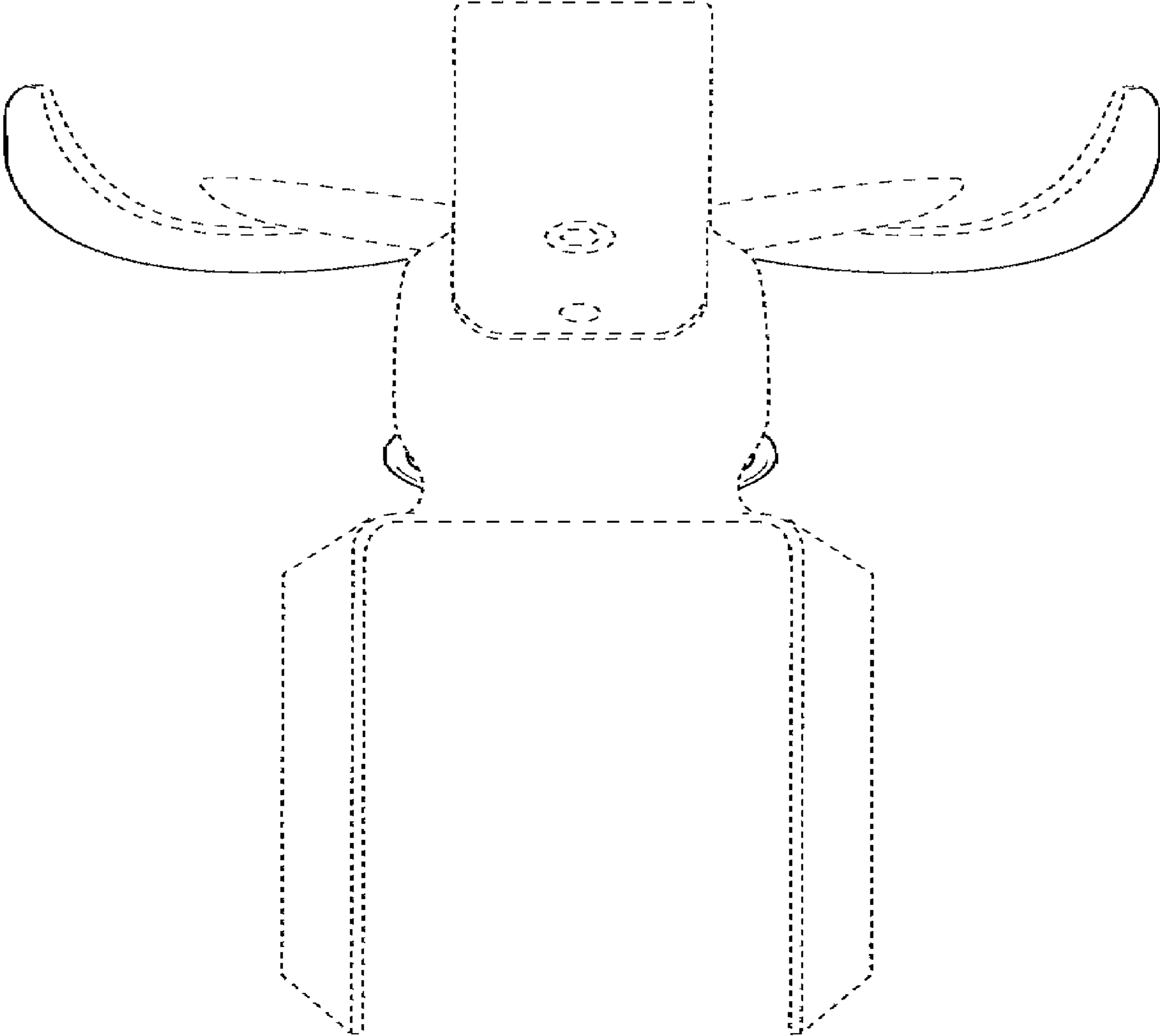


FIG. 4

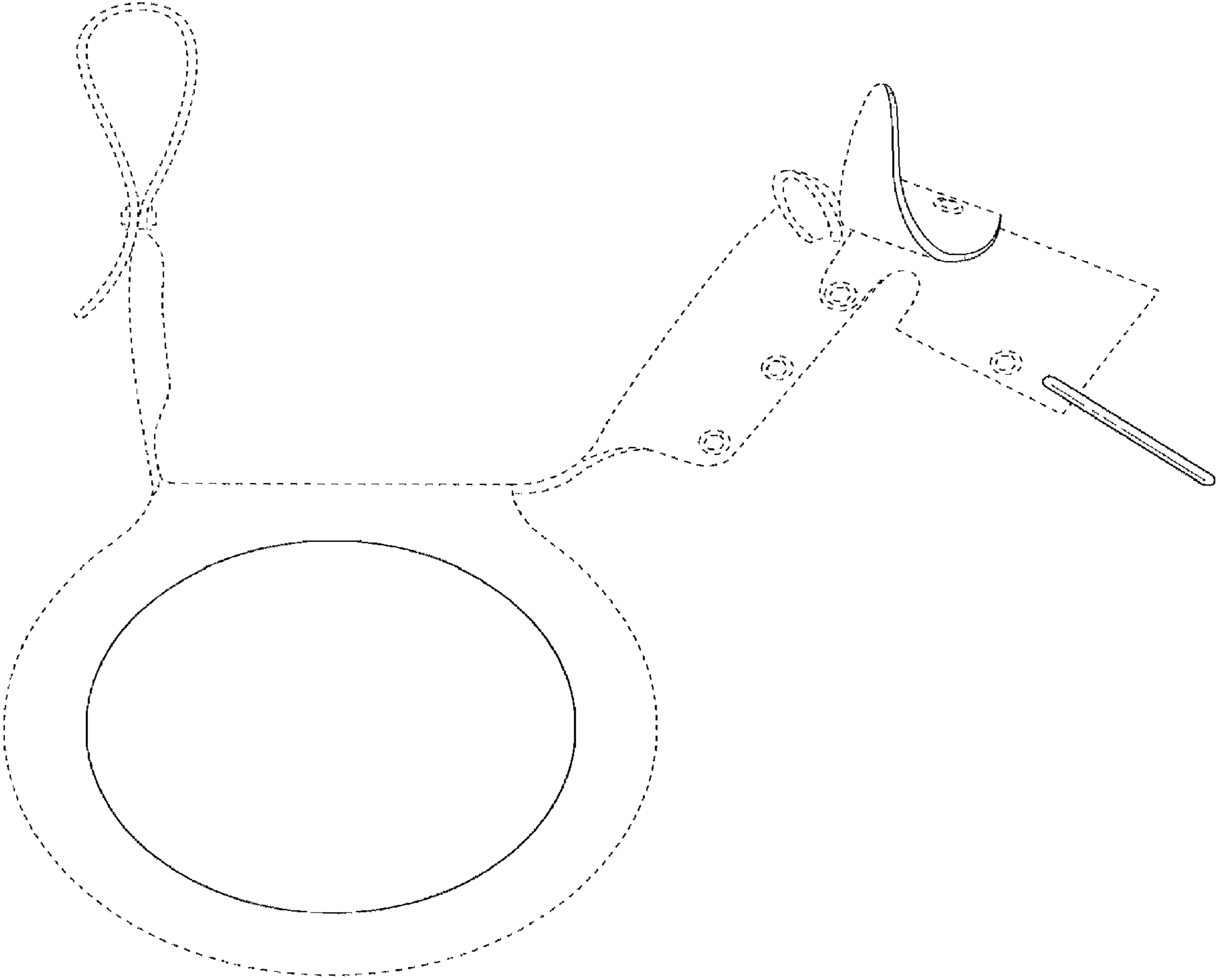


FIG. 5

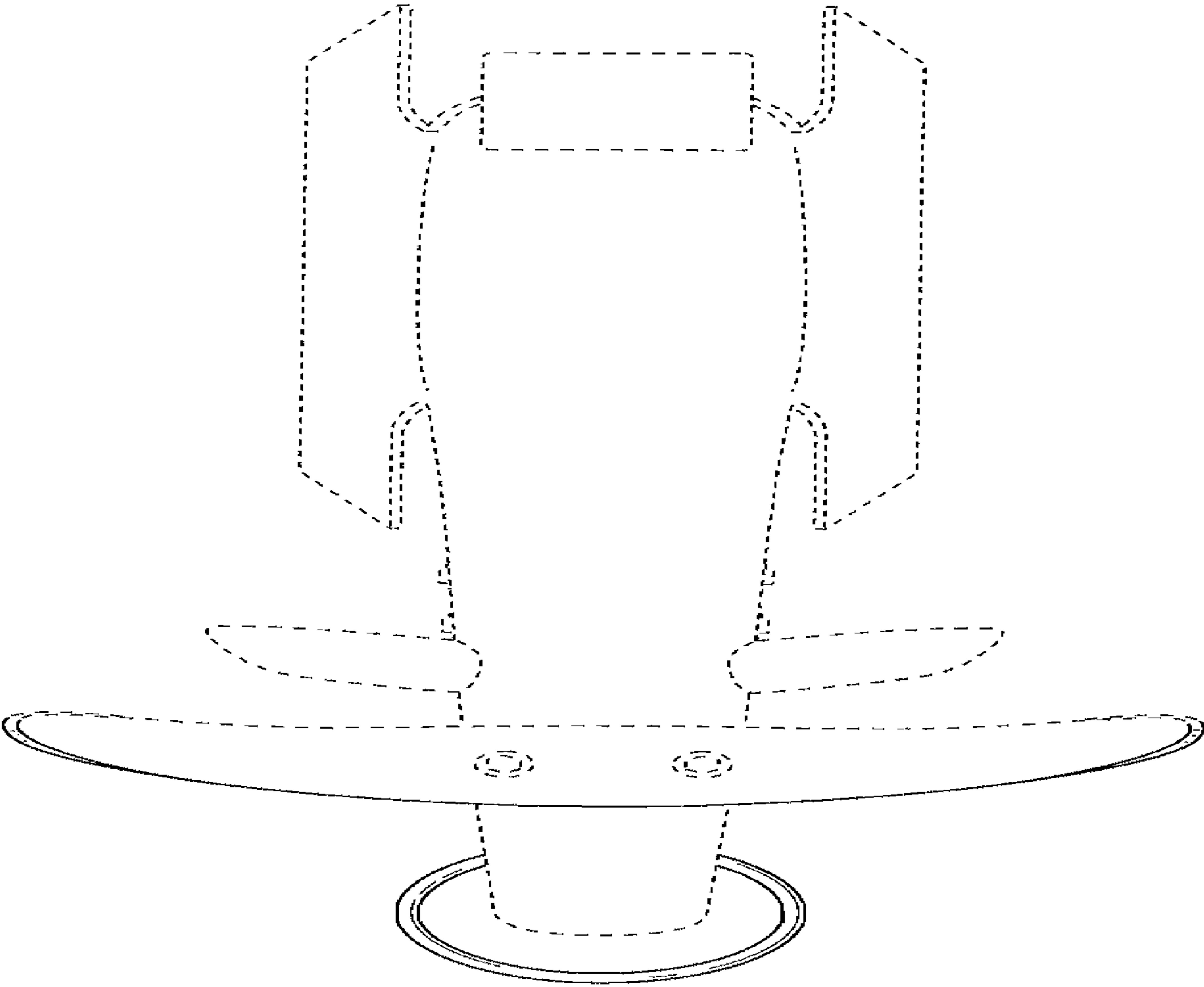


FIG. 6

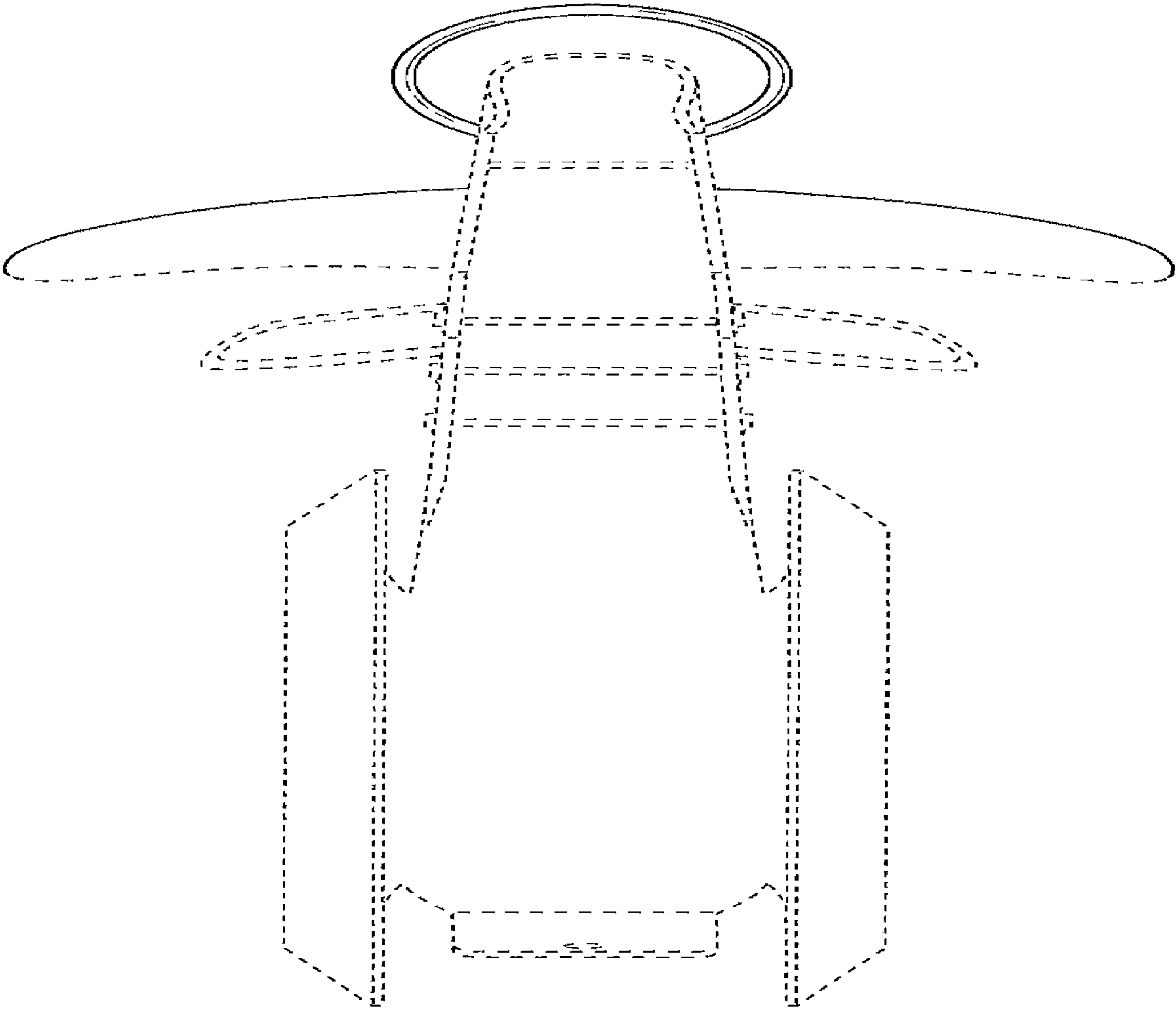


FIG. 7