



US00D661357S

(12) **United States Design Patent**
Du

(10) **Patent No.:** **US D661,357 S**
(45) **Date of Patent:** **** Jun. 5, 2012**

(54) **EXERCISE DEVICE UNIVERSALLY ATTACHABLE TO A TREADMILL**

Primary Examiner — Susan E Krakower
(74) *Attorney, Agent, or Firm* — Richard D. Clarke

(76) Inventor: **Tiffany Du**, Garden Grove, CA (US)

(**) Term: **14 Years**

(21) Appl. No.: **29/383,943**

(22) Filed: **Jan. 24, 2011**

(51) **LOC (9) Cl.** **21-02**

(52) **U.S. Cl.** **D21/662; D21/694**

(58) **Field of Classification Search** D21/662,
D21/668, 669, 688, 694; 482/5, 51, 52, 54,
482/100, 138, 200

See application file for complete search history.

(56) **References Cited**

U.S. PATENT DOCUMENTS

2,017,128	A *	10/1935	O'Neill, Jr.	482/54
3,711,812	A *	1/1973	Cherry	338/200
4,579,335	A *	4/1986	Centafanti	482/54
4,743,009	A *	5/1988	Beale	482/54
5,000,440	A *	3/1991	Lynch	482/54
5,104,119	A *	4/1992	Lynch	482/5
5,135,458	A *	8/1992	Huang	482/138
5,961,428	A *	10/1999	Webber	482/100
D444,518	S *	7/2001	Webber	D21/694
D494,645	S *	8/2004	Otomi et al.	D21/662
D495,015	S *	8/2004	Tudico	D21/688
D521,577	S *	5/2006	Wu	D21/669
8,075,453	B1 *	12/2011	Wilkinson	482/51

* cited by examiner

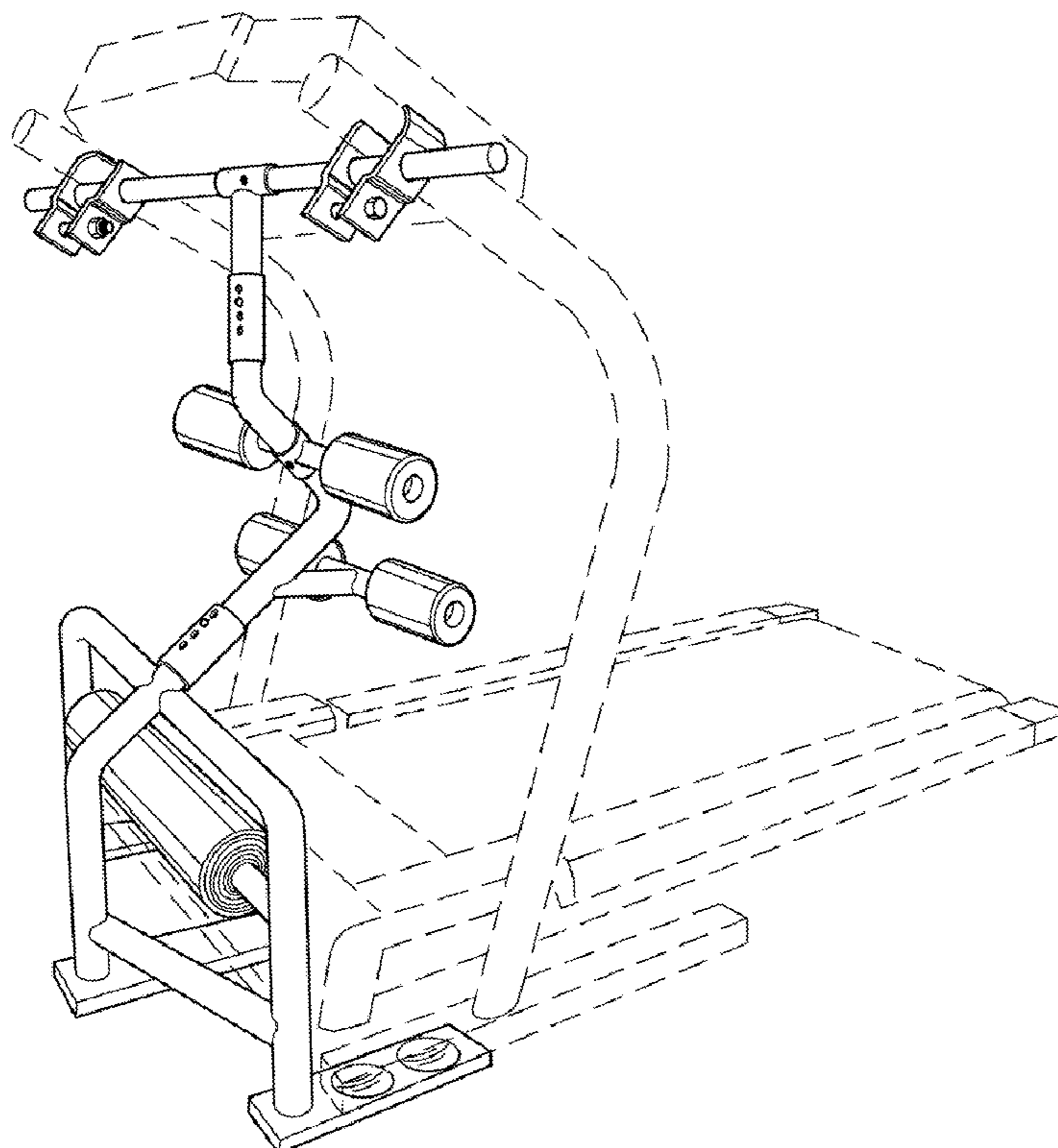
(57) **CLAIM**

I claim the ornamental design for an exercise device universally attachable to a treadmill, as shown and described.

DESCRIPTION

FIG. 1 is a front, side and top perspective view of the exercise device universally attachable to a treadmill with the roller pad rolled up for storage;
 FIG. 2 is a front, side and top perspective view of the exercise device universally attachable to a treadmill with the roller pad rolled out for use and the foot element in an alternate position;
 FIG. 3 is a front view of the exercise device universally attachable to a treadmill;
 FIG. 4 is a bottom view of the exercise device universally attachable to a treadmill;
 FIG. 5 is rear view of the exercise device universally attachable to a treadmill;
 FIG. 6 is a top plan view of the exercise device universally attachable to a treadmill;
 FIG. 7 is a side elevation view of the exercise device universally attachable to a treadmill; and,
 FIG. 8 is an opposite side elevation view of the exercise device universally attachable to a treadmill.
 The broken lines in FIGS. 1 and 2 illustrate environmental structure and form no part of the claimed design.

1 Claim, 5 Drawing Sheets



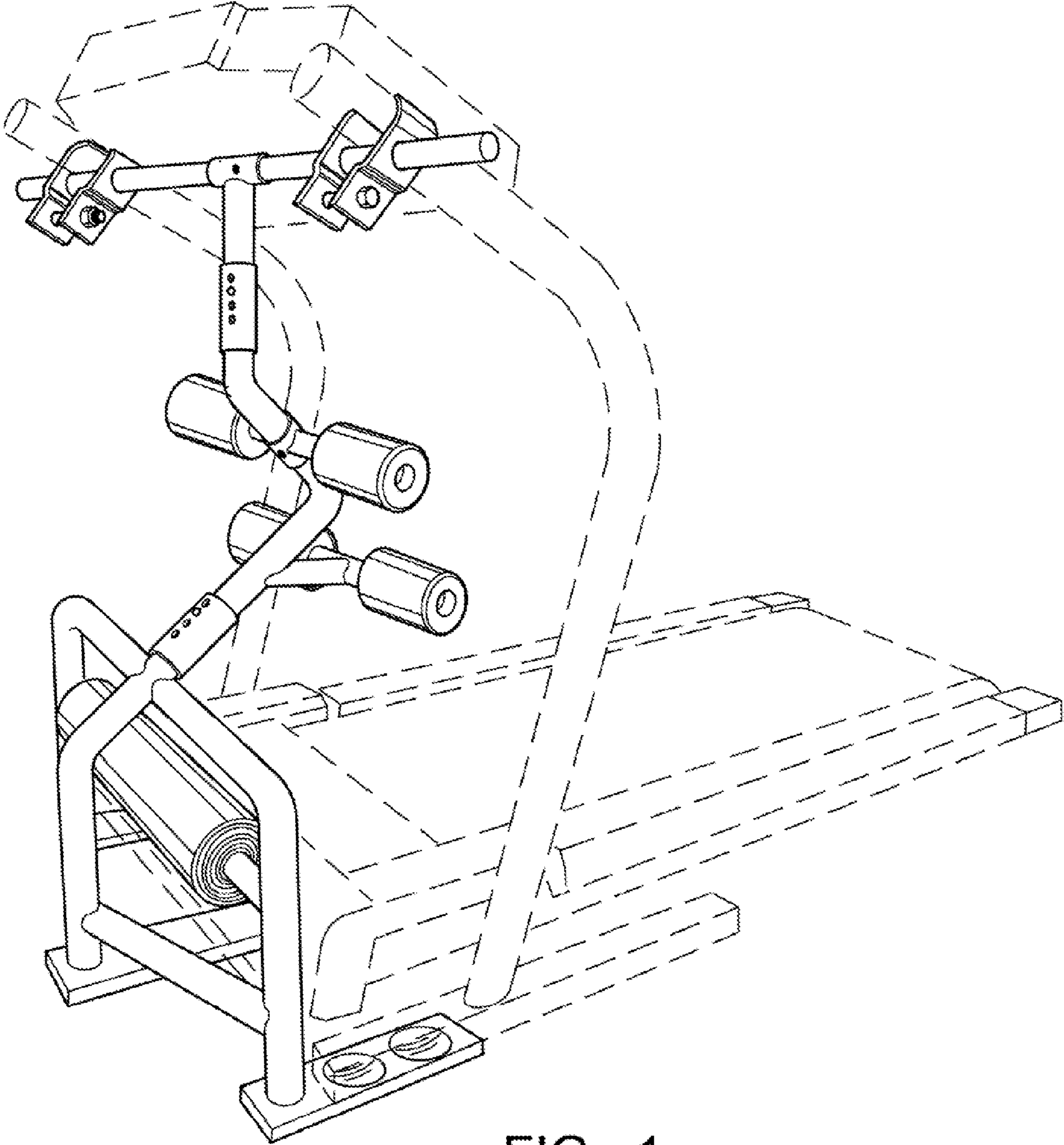


FIG. 1

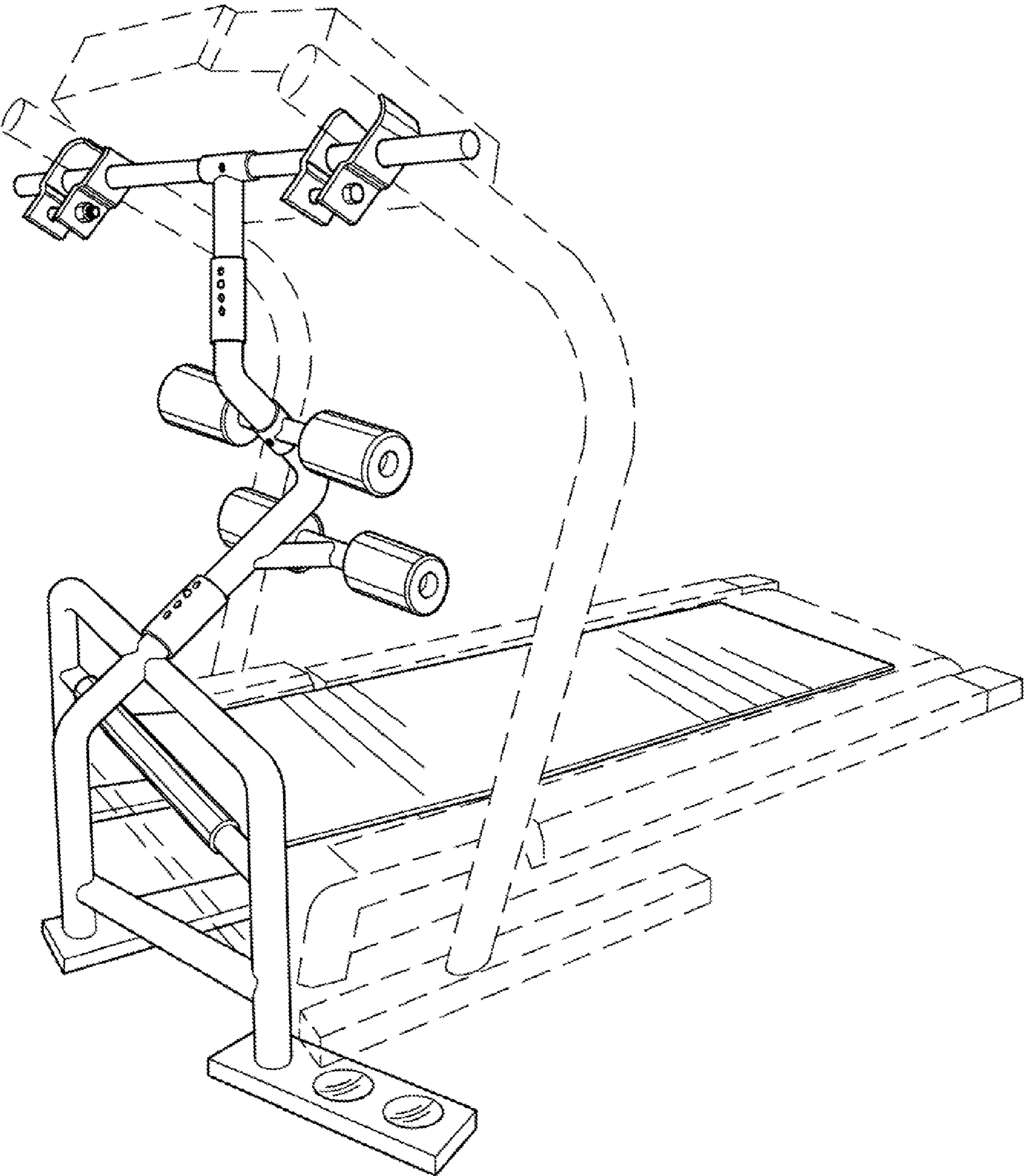


FIG. 2

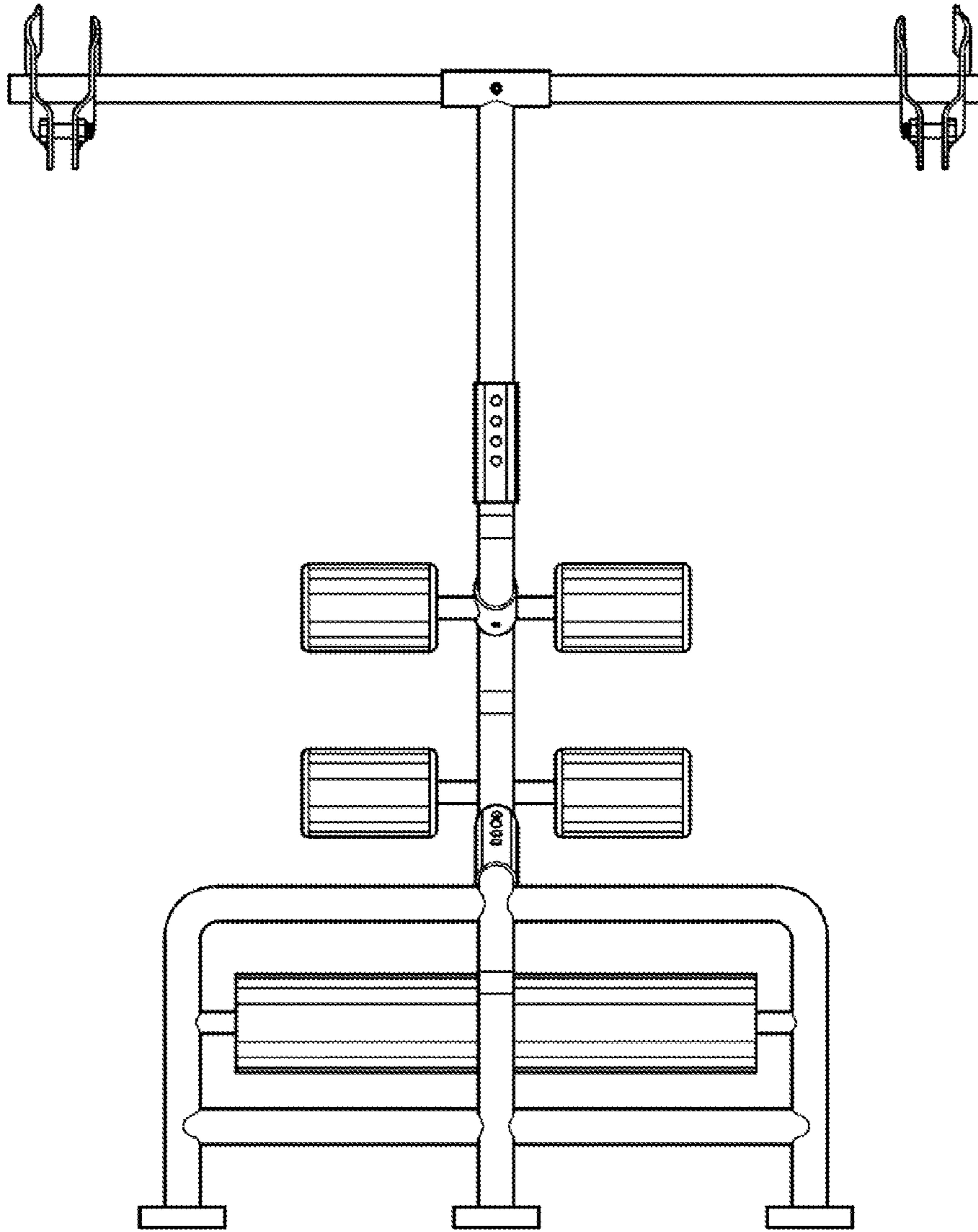


FIG. 3

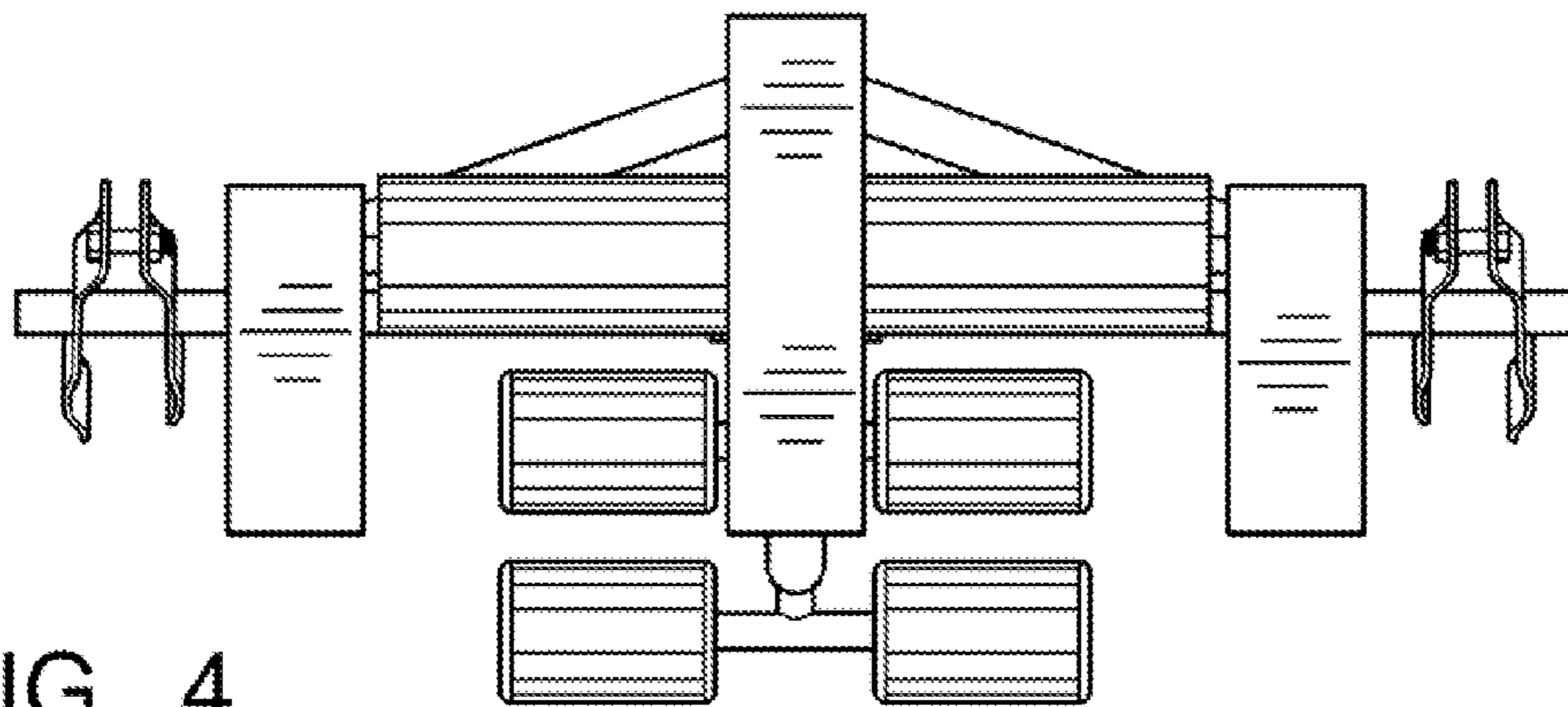


FIG. 4

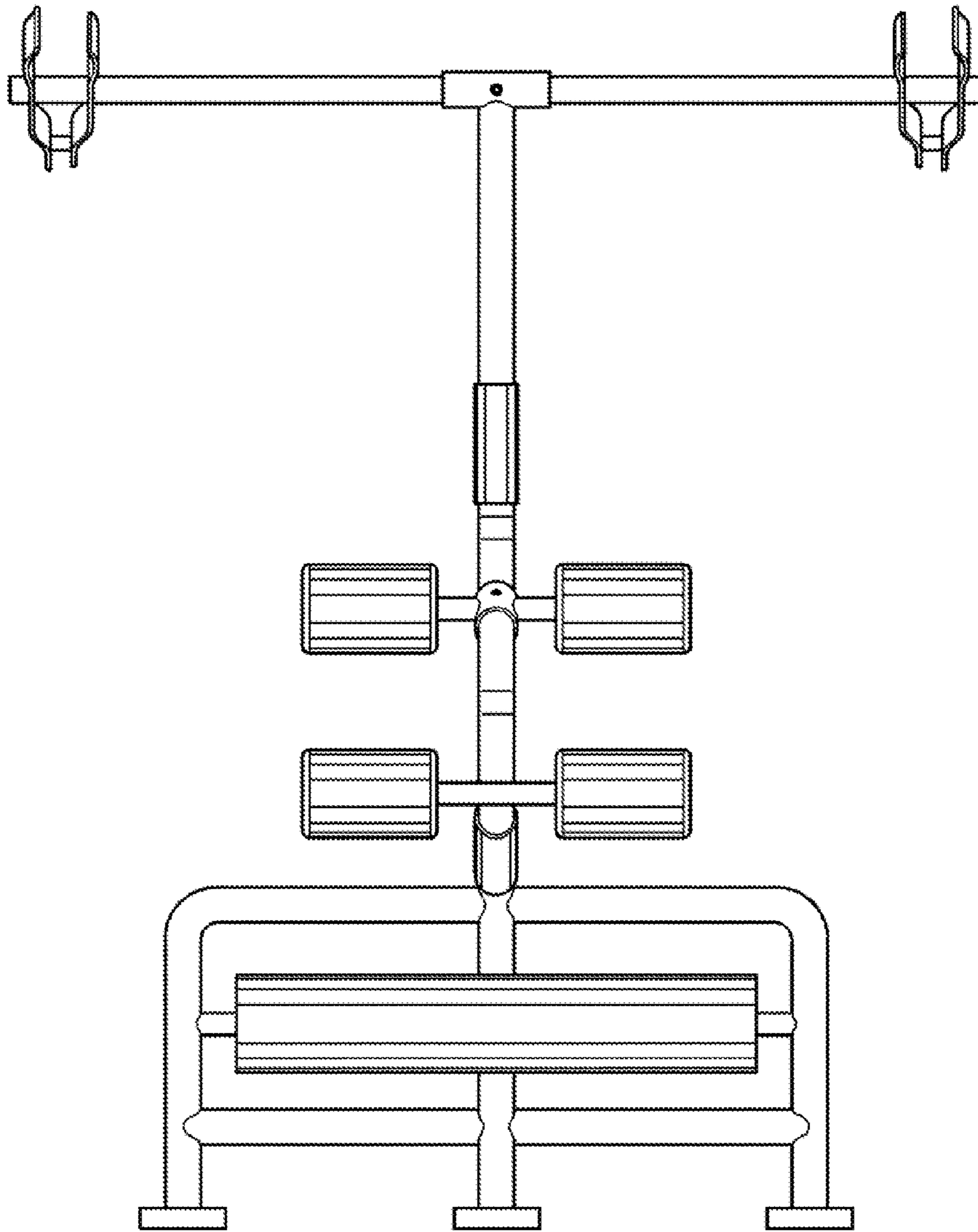


FIG. 5

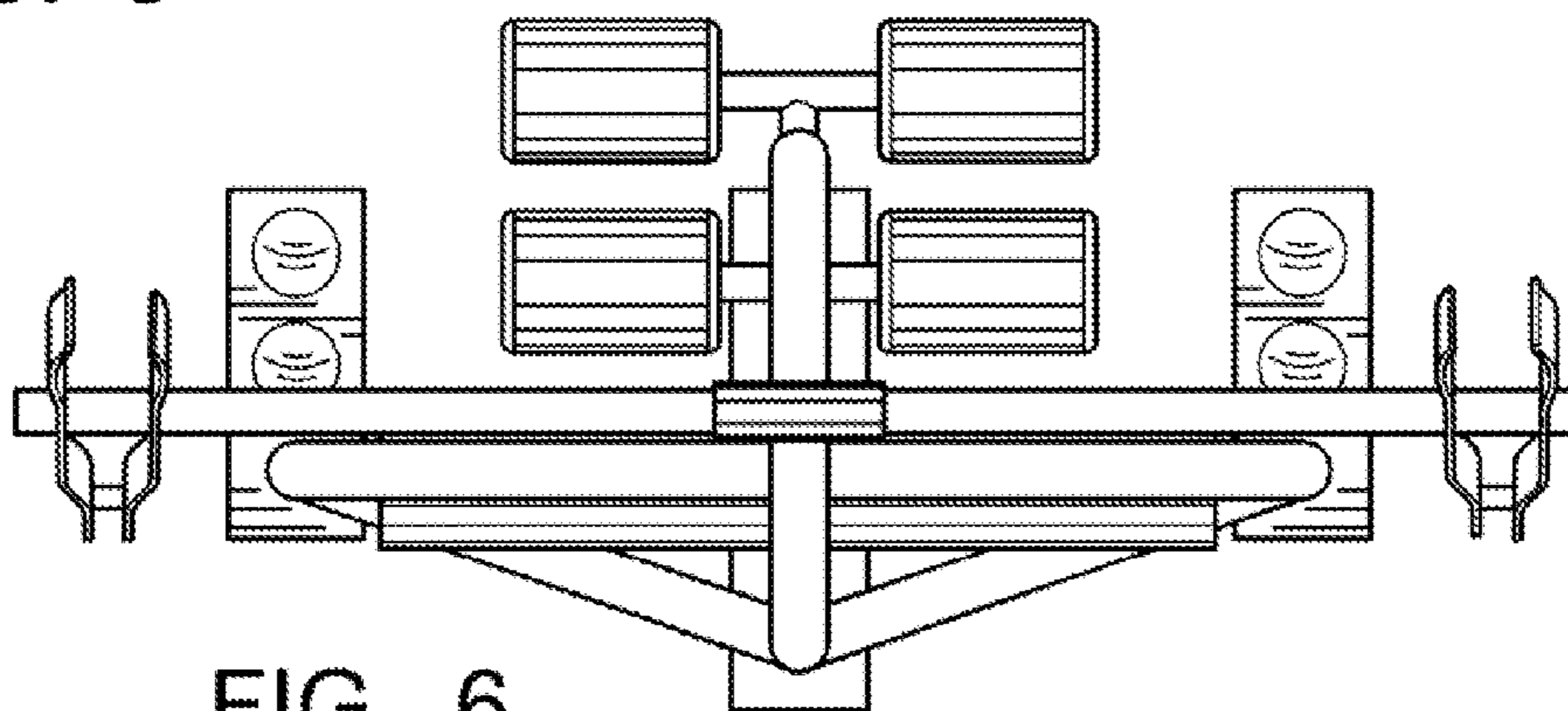


FIG. 6

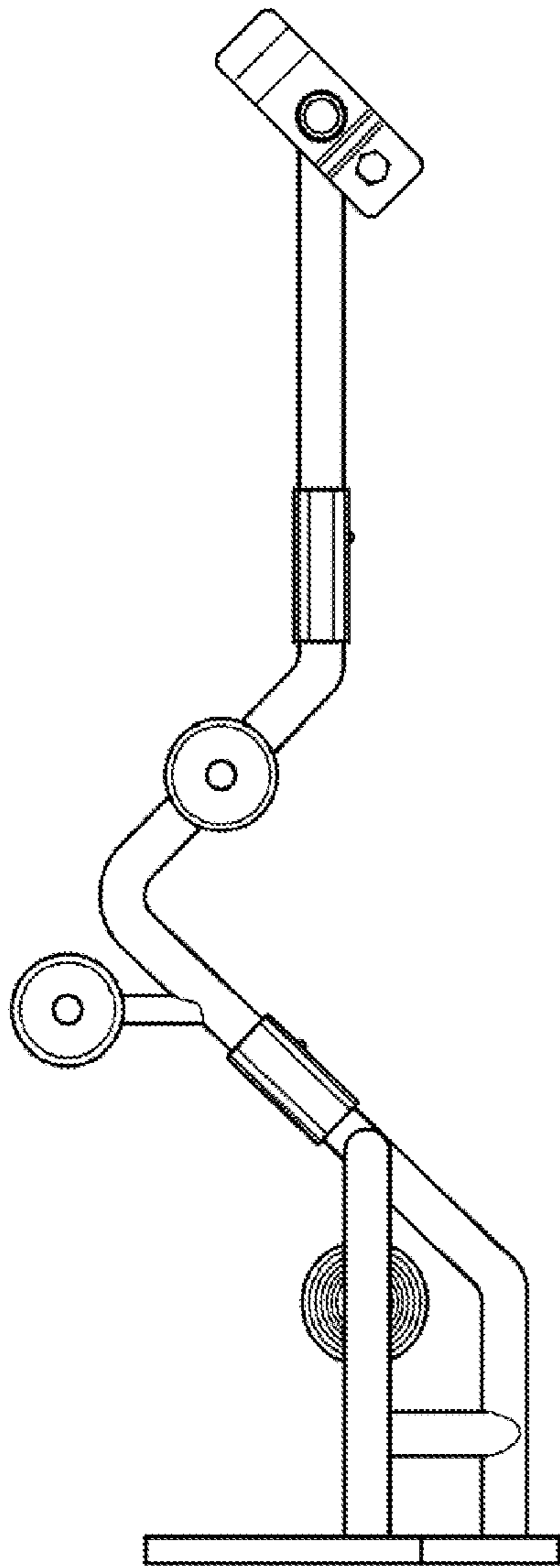


FIG. 7

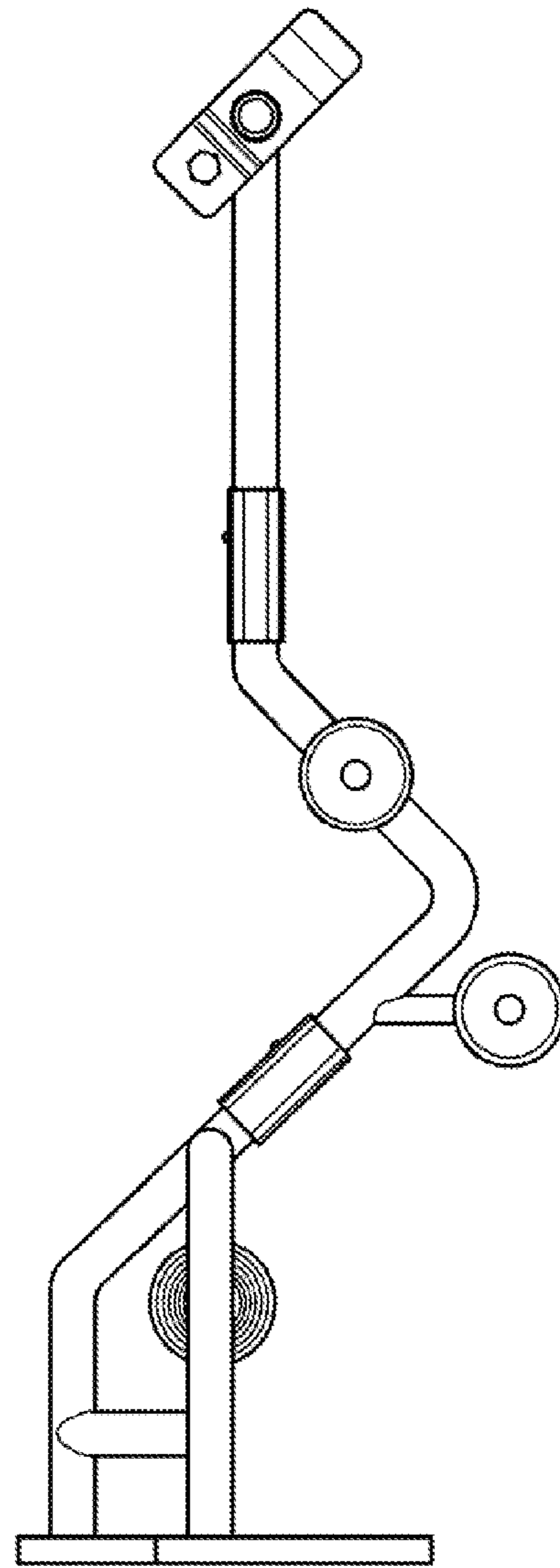


FIG. 8