

US00D661356S

(12) **United States Design Patent**
Kleinkopf et al.

(10) **Patent No.:** **US D661,356 S**

(45) **Date of Patent:** **** Jun. 5, 2012**

(54) **PISTOL**

(75) Inventors: **Paul Kleinkopf**, Oetigheim (DE);
Maurice Reinagel, Schweighouse sur
Moder (FR)

(73) Assignee: **DIANA Mayer & Grammelspacher**
GmbH & Co. KG, Rastatt (DE)

(**) Term: **14 Years**

(21) Appl. No.: **29/339,214**

(22) Filed: **Jun. 26, 2009**

(30) **Foreign Application Priority Data**

Dec. 30, 2008 (EM) 001064364-0001
Dec. 30, 2008 (EM) 001064364-0002

(51) **LOC (9) Cl.** **21-01**

(52) **U.S. Cl.** **D21/574; D22/104**

(58) **Field of Classification Search** D21/333,
D21/454, 461, 567, 568, 570-575; D22/100,
D22/101, 104, 105, 108-110; D14/418;
446/23, 182, 192, 401, 403, 405-407, 473;
124/16, 26-29, 41.1, 45, 49, 51.1, 54, 55,
124/56, 69, 70-74, 79; 222/78, 79; 42/7,
42/54, 57, 58, 69.01-69.03, 70.01, 70.02,
42/71.02, 84, 85; 89/125, 128, 195

See application file for complete search history.

(56) **References Cited**

U.S. PATENT DOCUMENTS

D110,887 S * 8/1938 Stevens D22/104
2,832,266 A * 4/1958 Sunderland 89/195
D199,451 S * 10/1964 Trupp D21/574
D203,349 S * 12/1965 Gross D21/574
D249,377 S * 9/1978 Takahashi D21/454
D255,917 S * 7/1980 Merrill D22/104

(Continued)

Primary Examiner — Cynthia M Chin

(74) *Attorney, Agent, or Firm* — Patent Central LLC;
Stephan A. Pendorf

(57) **CLAIM**

The ornamental design for a pistol, as shown and described.

DESCRIPTION

FIG. 1 is a right side perspective view of a first embodiment of the pistol, showing my new design;

FIG. 2 is a front elevation view of the pistol;

FIG. 3 is a rear elevation view of the first embodiment of the pistol;

FIG. 4 is a left elevation view of the first embodiment of the pistol;

FIG. 5 is a right elevation view of the first embodiment of the pistol;

FIG. 6 is a top plan view of the first embodiment of the pistol;

FIG. 7 is a bottom plan view of the first embodiment of the pistol;

FIG. 8 is a right side perspective view of a second embodiment of the pistol;

FIG. 9 is a front elevation view of the second embodiment of the pistol;

FIG. 10 is a rear elevation view of the second embodiment of the pistol;

FIG. 11 is a left elevation view of the second embodiment of the pistol;

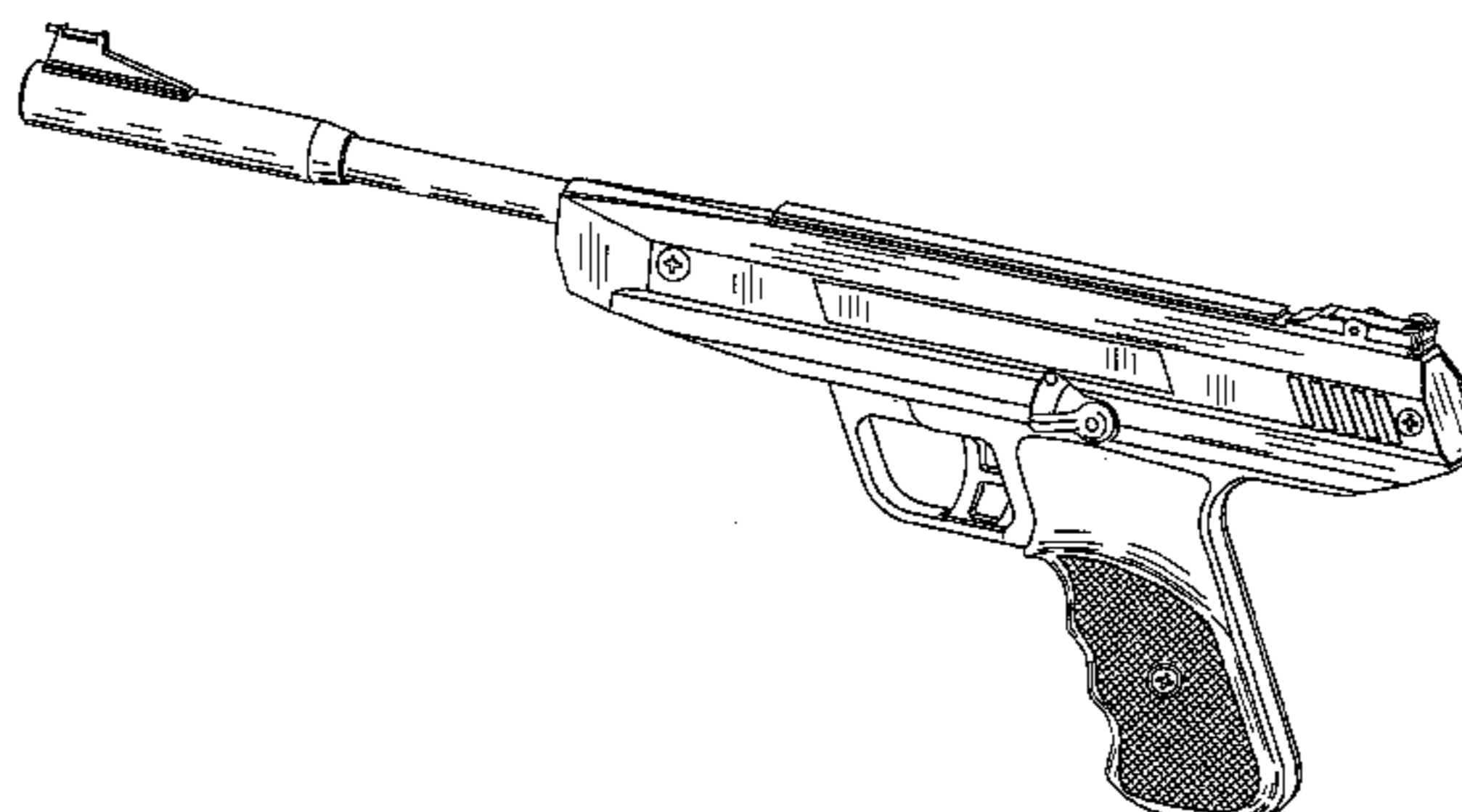
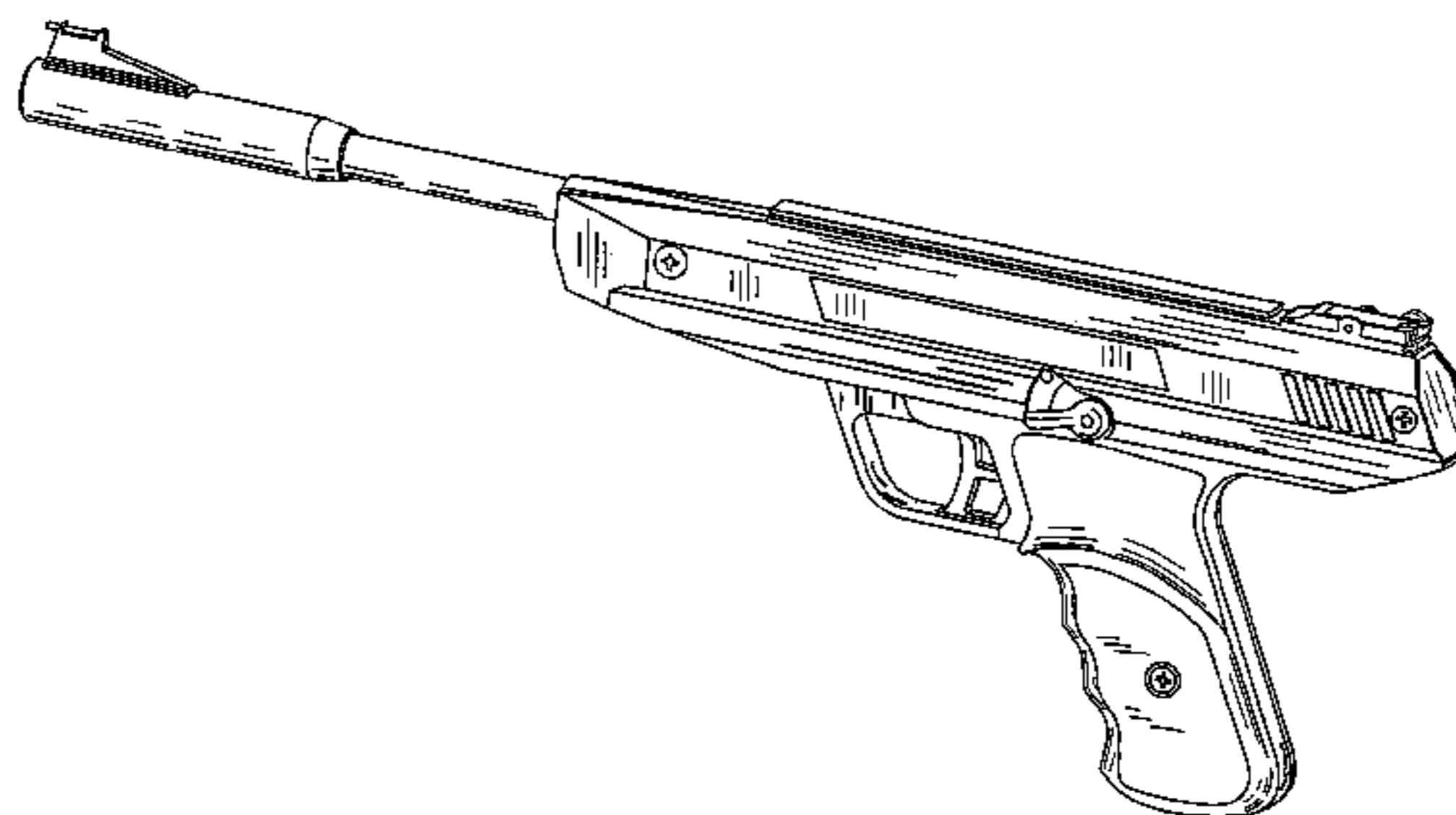
FIG. 12 is a right elevation view of the second embodiment of the pistol;

FIG. 13 is a top plan view of the second embodiment of the pistol; and,

FIG. 14 is a bottom plan view of the second embodiment of the pistol.

The broken lines showing certain parts of the muzzle and body of the gun are for the purpose of illustrating the parts of the muzzle and body of the gun that, form no part of the claimed design.

1 Claim, 6 Drawing Sheets



US D661,356 S

Page 2

U.S. PATENT DOCUMENTS

D274,922 S *	7/1984	Smith	D21/574	D346,837 S *	5/1994	Sun	D21/574
D305,252 S *	12/1989	Nielson et al.	D21/574	D385,008 S *	10/1997	Lamont	D22/104
D316,587 S *	4/1991	Sanford	D22/104	D443,903 S *	6/2001	Wang	D21/574
D330,580 S *	10/1992	Uria	D22/104	D511,364 S *	11/2005	McGarry	D22/104

* cited by examiner

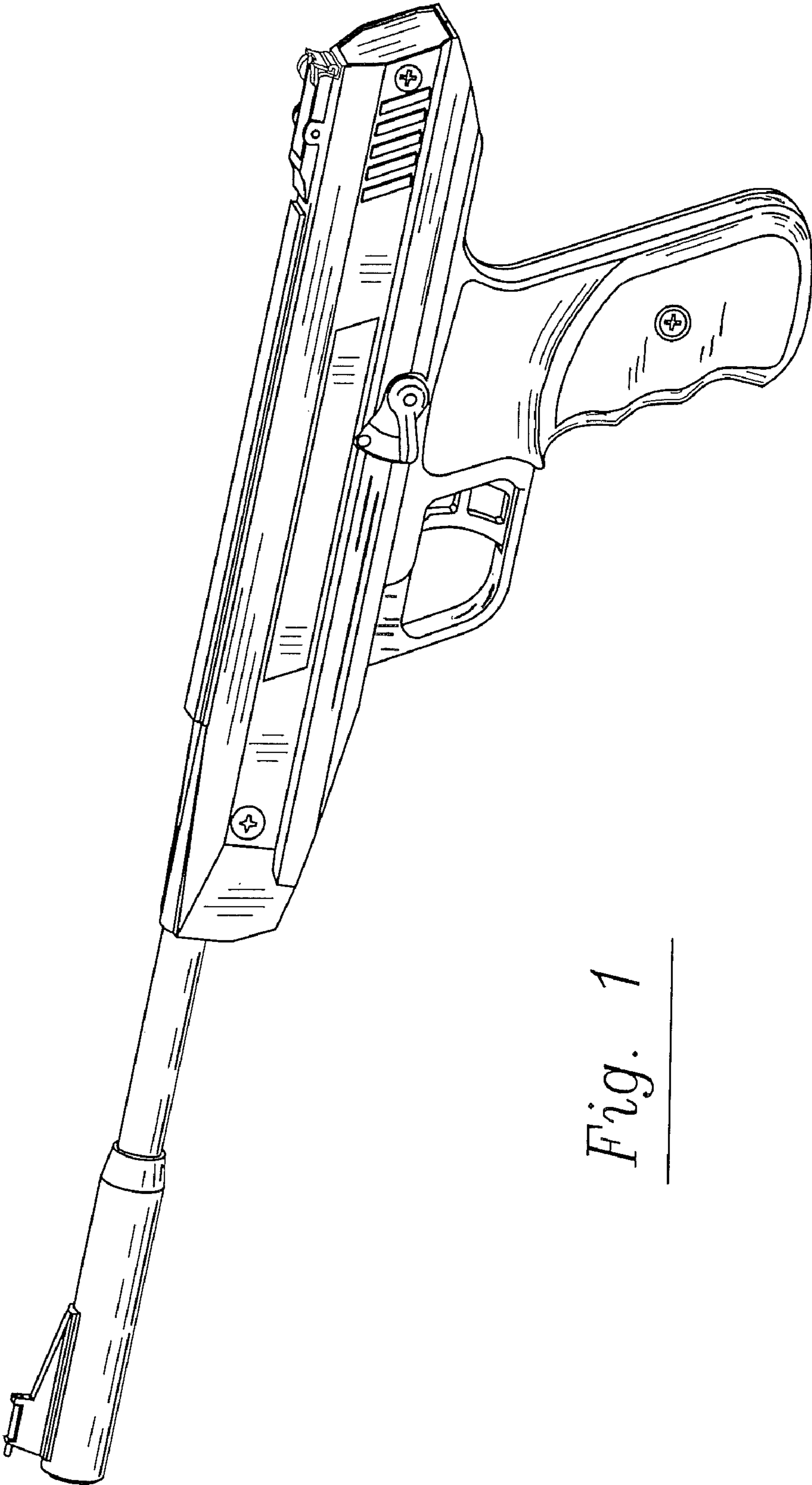


Fig. 1

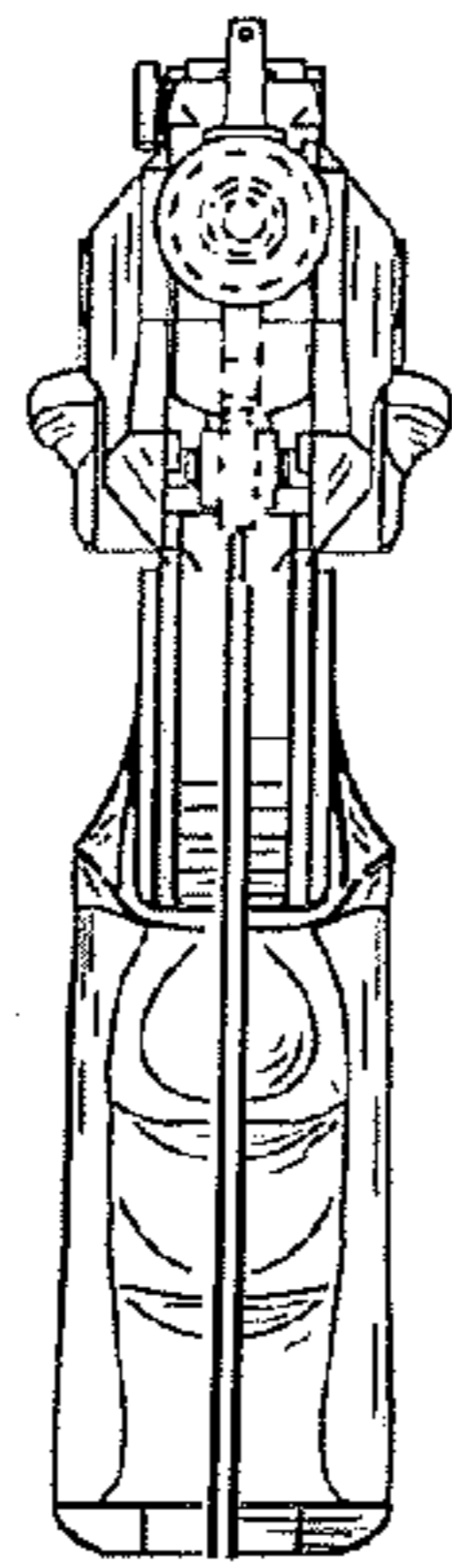


Fig. 2

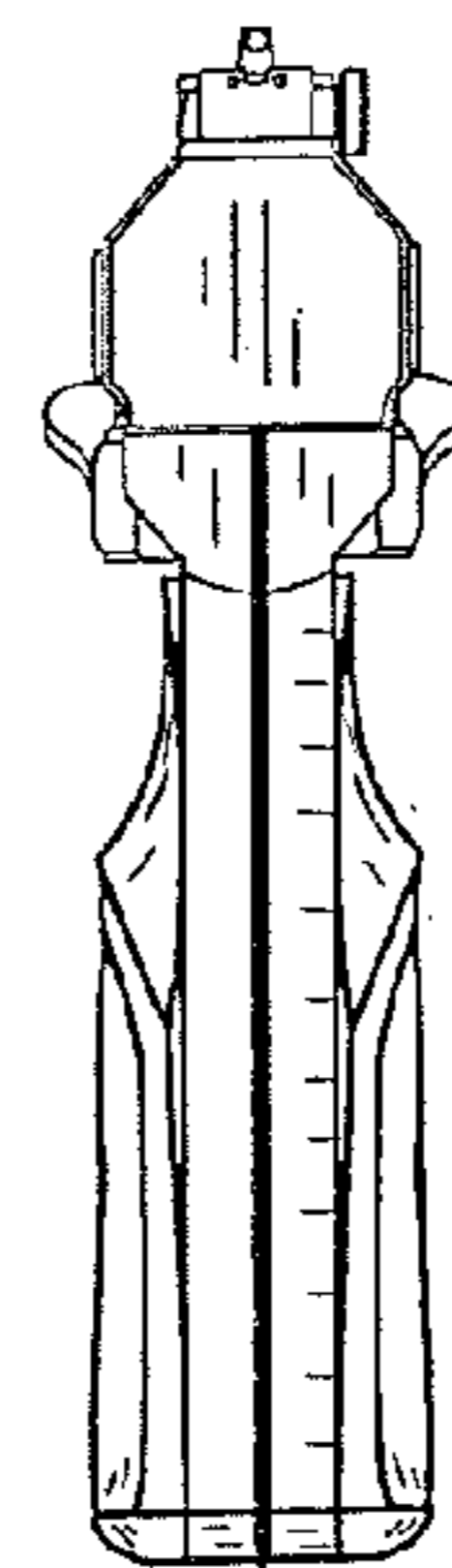


Fig. 3

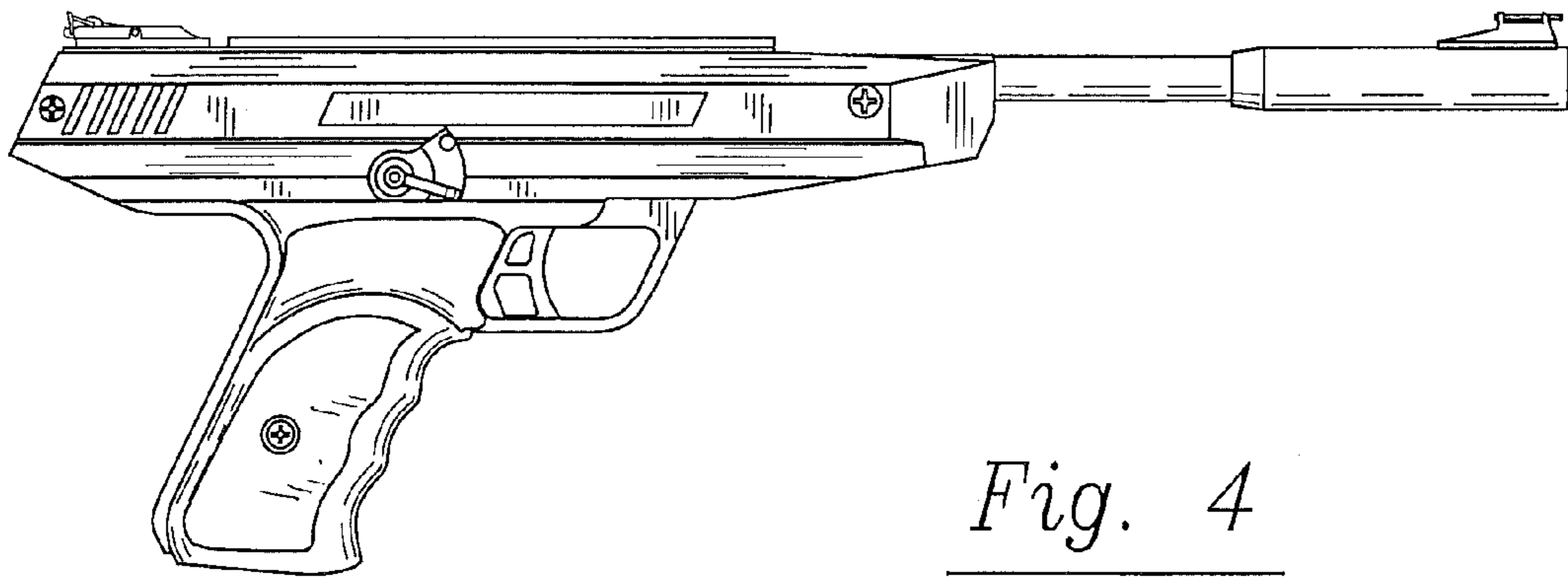


Fig. 4

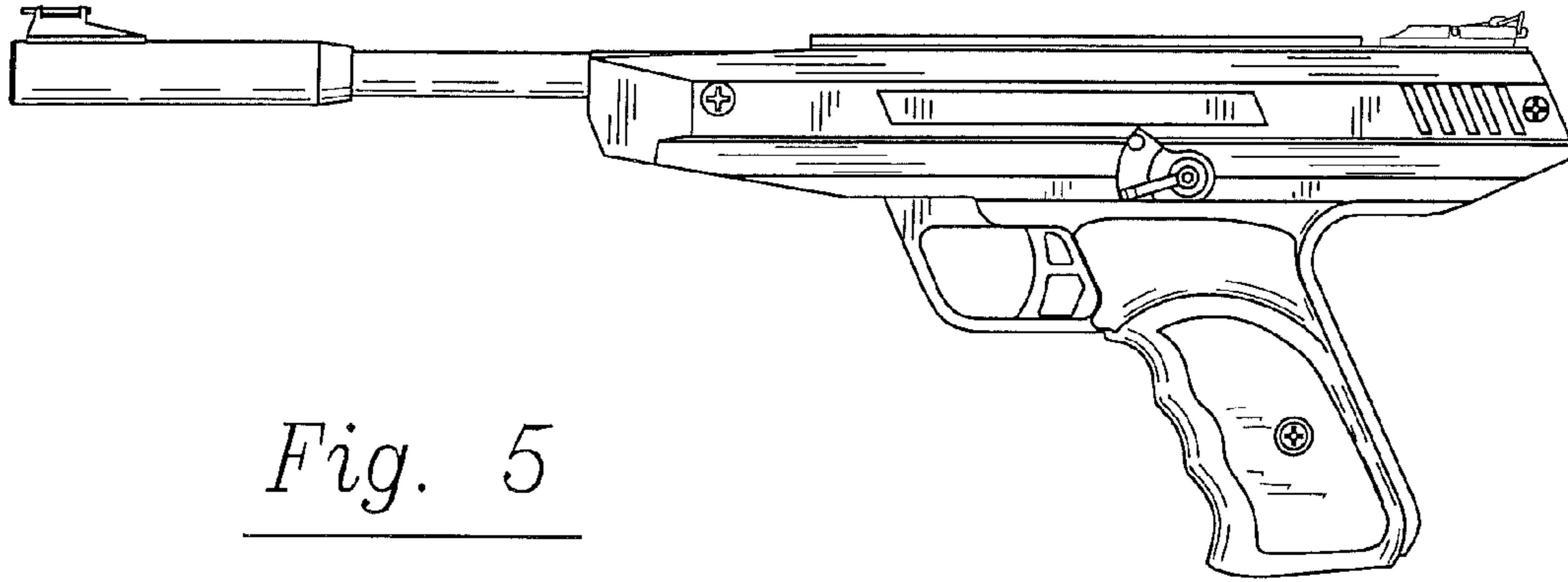


Fig. 5

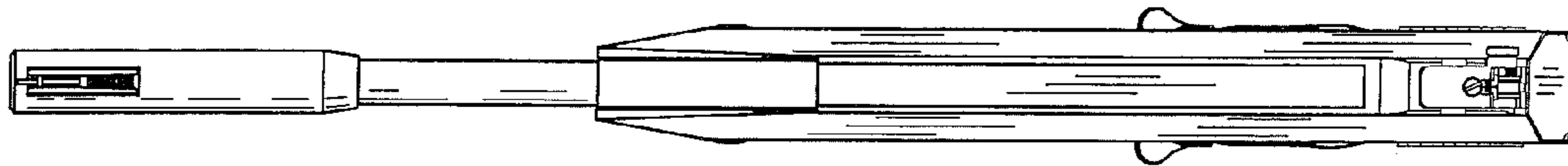


Fig. 6

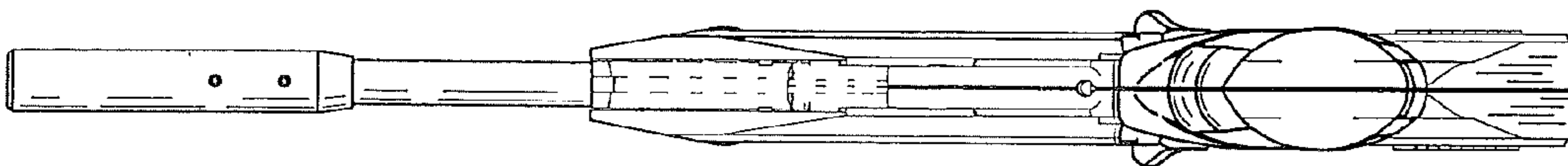


Fig. 7

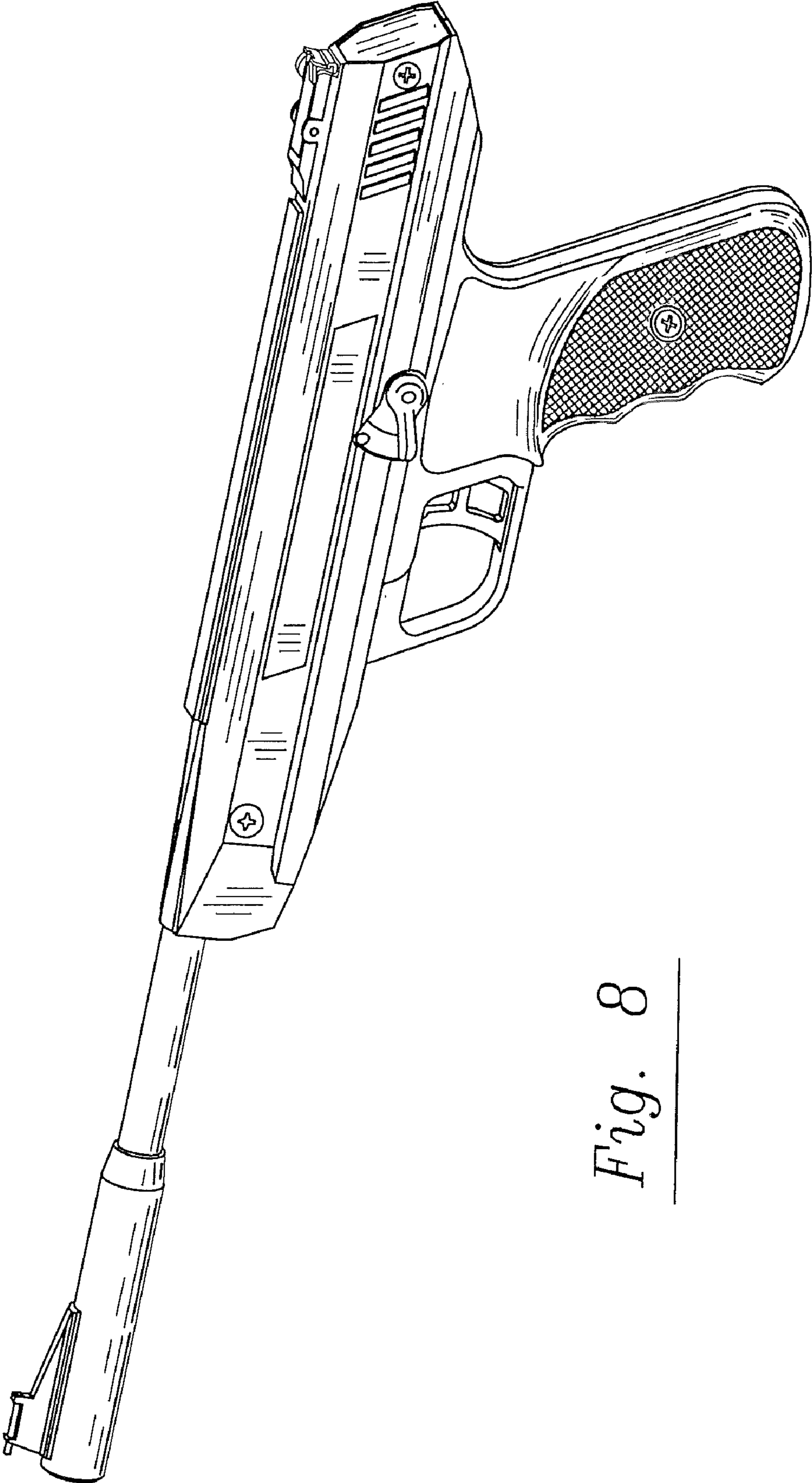


Fig. 8

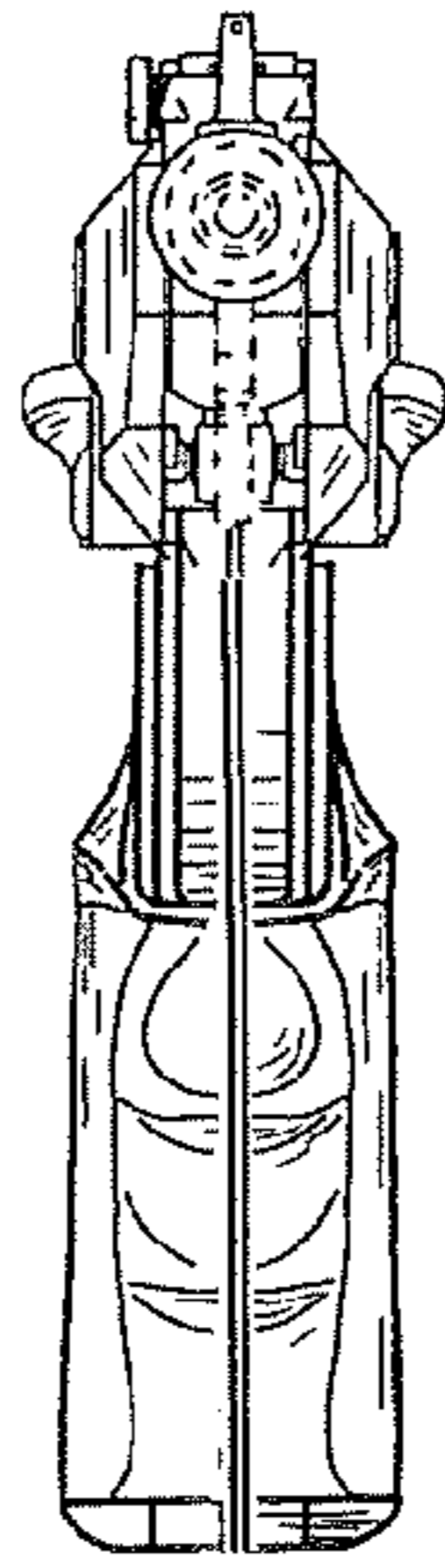


Fig. 9

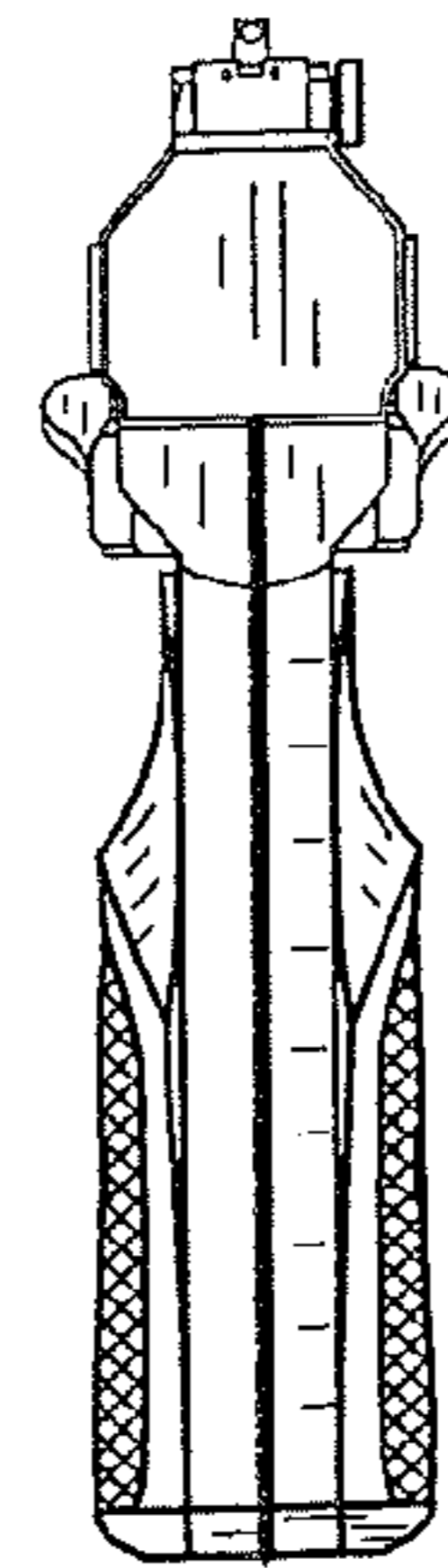


Fig. 10

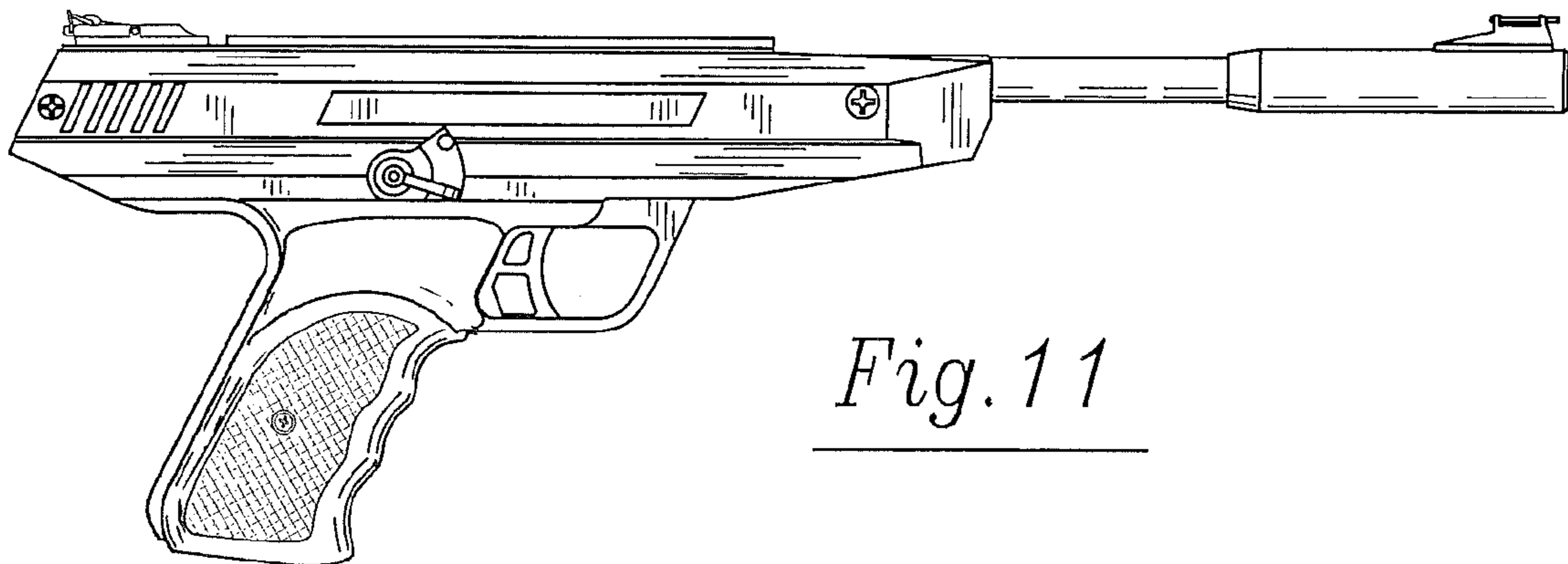


Fig. 11

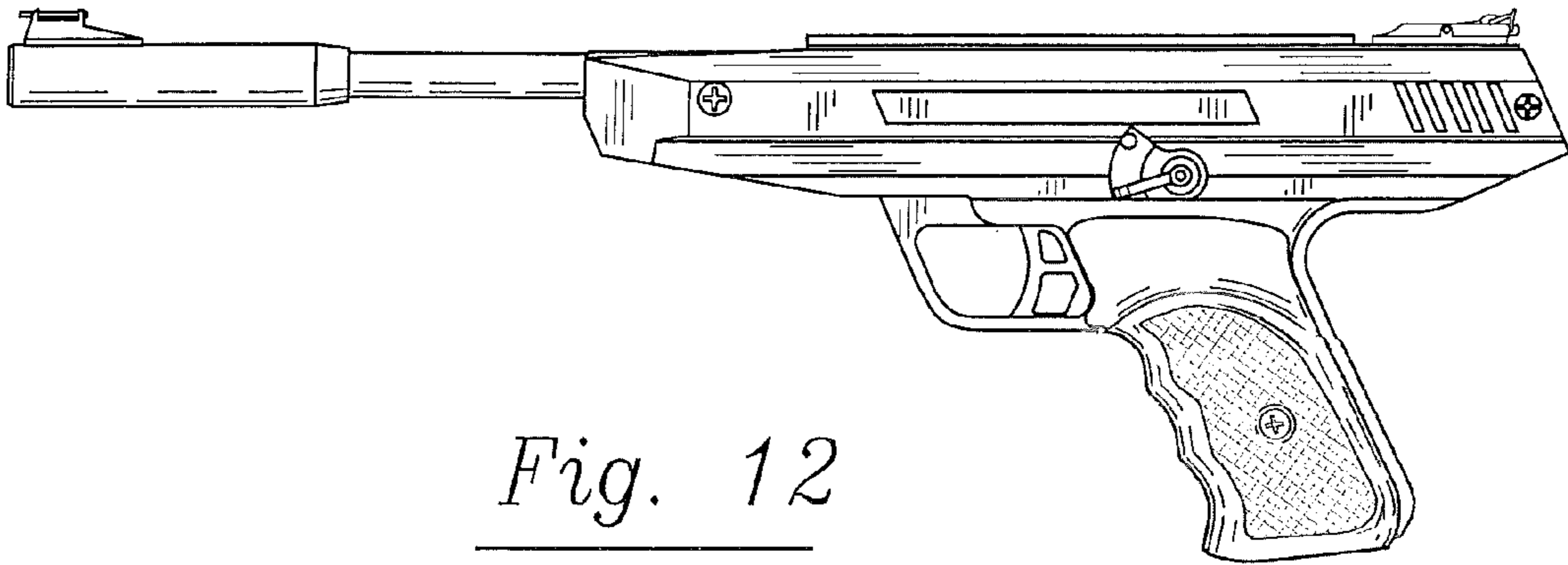


Fig. 12

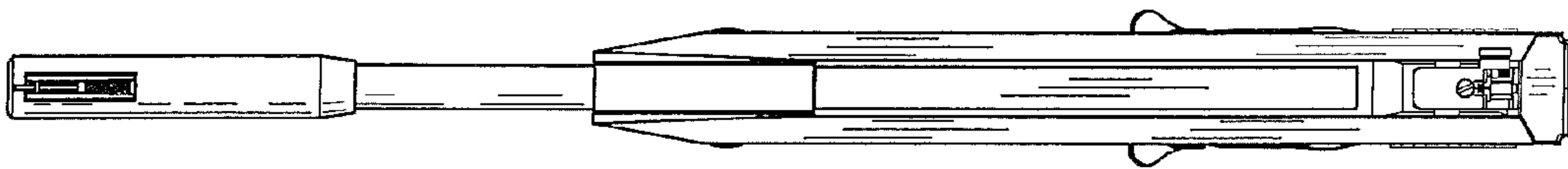


Fig. 13

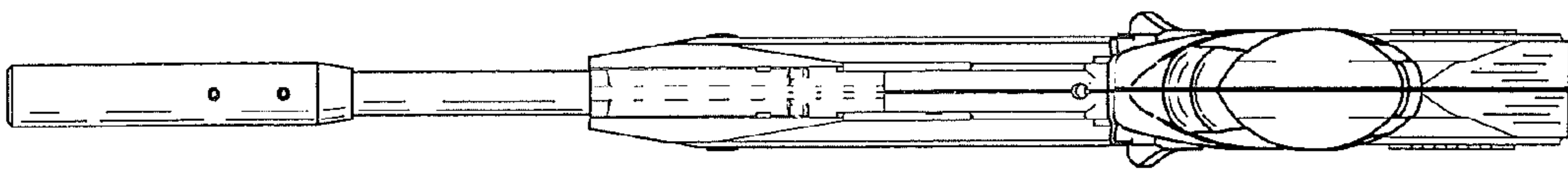


Fig. 14