



US00D661350S

(12) **United States Design Patent**  
**Halbur et al.**

(10) **Patent No.:** **US D661,350 S**  
(45) **Date of Patent:** **\*\* Jun. 5, 2012**

(54) **TRANSACTION PRODUCT**

(75) Inventors: **Ted C. Halbur**, Lino Lakes, MN (US);  
**Adam W. Reynolds**, Minneapolis, MN  
(US); **Jessica M. Trebrake**, Rosemount,  
MN (US); **Timothy P. Clegg**, Manhattan  
Beach, CA (US); **Primož Samardžija**,  
Marina del Rey, CA (US)

(73) Assignee: **Target Brands, Inc.**, Minneapolis, MN  
(US)

(\*\*) Term: **14 Years**

(21) Appl. No.: **29/393,747**

(22) Filed: **Jun. 8, 2011**

**Related U.S. Application Data**

(63) Continuation of application No. 12/340,433, filed on  
Dec. 19, 2008, now Pat. No. 8,070,068.

(51) **LOC (9) Cl.** ..... **19-08**

(52) **U.S. Cl.** ..... **D19/9**

(58) **Field of Classification Search** ..... D19/1-12,  
D19/100; 40/124.01-124.15, 672, 661, 776,  
40/716, 617; 283/72, 74, 103, 105, 106;  
D6/407, 632; 235/380-381, 449, 487, 492,  
235/493, 488, 379, 441; D20/10, 22, 17,  
D20/40, 27, 11, 39; 206/449, 815; D14/435-437,  
D14/478

See application file for complete search history.

(56) **References Cited**

**U.S. PATENT DOCUMENTS**

2,283,777	A	5/1942	Wendling
2,487,459	A	11/1949	Mast
2,511,334	A	6/1950	Gruber
2,757,573	A	8/1956	Turner
2,789,460	A	4/1957	Kaufman
2,933,015	A	4/1960	Somach
3,490,171	A	1/1970	Crawford et al.
3,590,498	A	7/1971	Landzerg

4,116,533	A	9/1978	Nerlich
4,402,580	A	9/1983	Ross
4,549,785	A	10/1985	Vitrac
4,558,528	A	12/1985	Cunningham
4,846,553	A	7/1989	Rice
4,881,334	A	11/1989	Brown
4,968,125	A	11/1990	Rodriquez
5,412,199	A	5/1995	Finkelstein et al.
D387,802	S	12/1997	Finkelstein et al.
5,769,684	A	6/1998	Lou
6,028,700	A	2/2000	Fraenkel
D436,620	S *	1/2001	Webb et al. .... D19/10
D436,991	S *	1/2001	Morgante ..... D19/9

(Continued)

**OTHER PUBLICATIONS**

Fisher-Price View-Master, [http://www.fisher-price.com/fp.aspx?t=page&a=go&s=viewmaster&p=landing\\_flash&site=us](http://www.fisher-price.com/fp.aspx?t=page&a=go&s=viewmaster&p=landing_flash&site=us), publicly available at least more than one year prior to Dec. 19, 2008.

(Continued)

*Primary Examiner* — Caron D Veynar

*Assistant Examiner* — Abraham Bahta

(74) *Attorney, Agent, or Firm* — Griffiths & Seaton PLLC

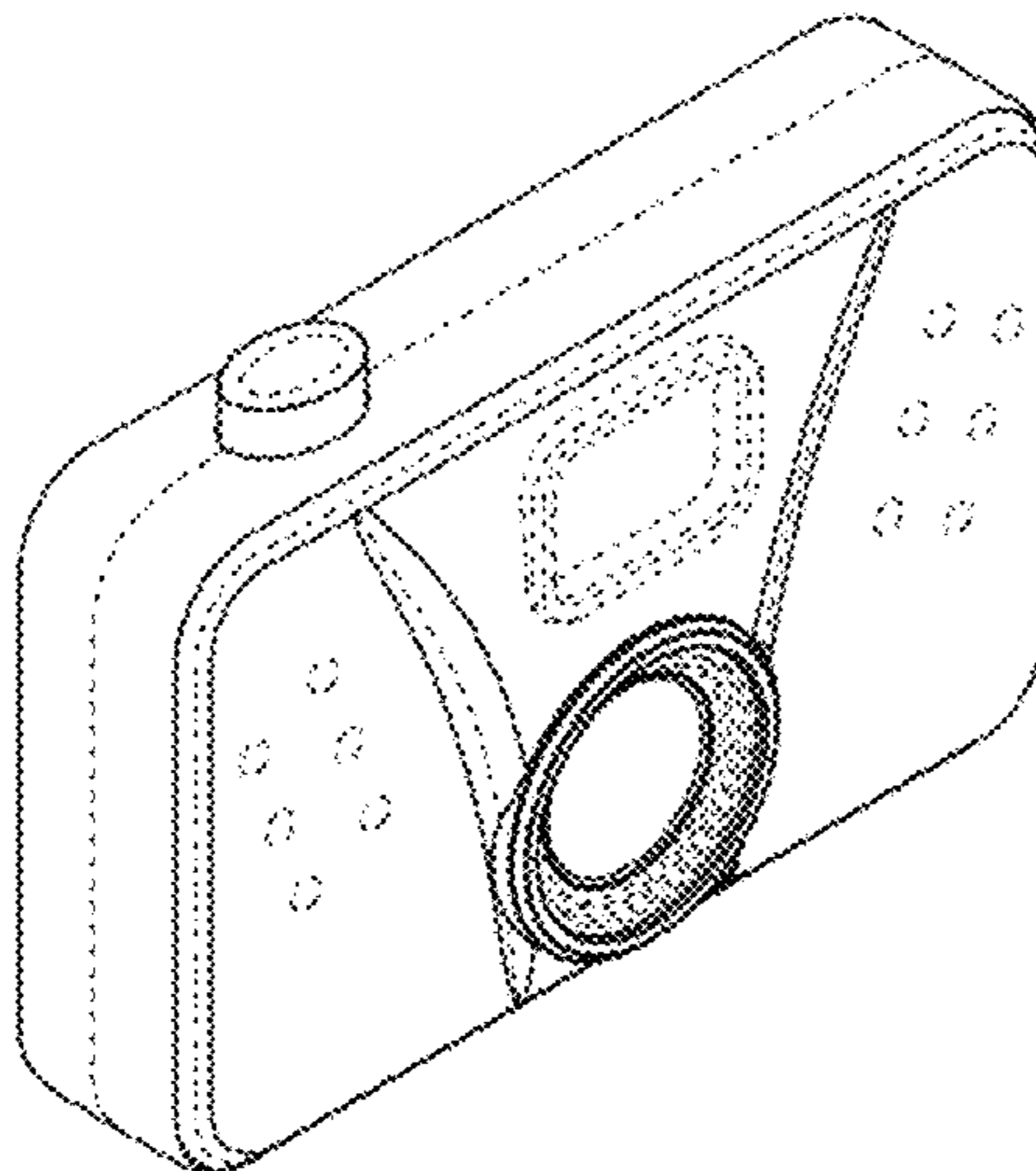
(57) **CLAIM**

The ornamental design for a transaction product, as shown and described.

**DESCRIPTION**

FIG. 1 is a perspective view of a transaction product showing our new design;  
FIG. 2 is a front view thereof;  
FIG. 3 is a rear view thereof;  
FIG. 4 is a top view thereof;  
FIG. 5 is a bottom view thereof; and,  
FIG. 6 is a left side view thereof, the right side view being a mirror image of the left side view.  
The features shown in broken lines depict environmental subject matter only and form no part of the claimed design.

**1 Claim, 4 Drawing Sheets**



U.S. PATENT DOCUMENTS

6,381,416 B2 4/2002 Manico et al.  
6,390,372 B1 5/2002 Waters  
6,614,604 B1 9/2003 Budde  
7,314,179 B1 1/2008 Halbur et al.  
D616,932 S \* 6/2010 Albers et al. .... D19/9  
7,743,982 B2 6/2010 Reynolds et al.  
D622,764 S \* 8/2010 Halbur et al. .... D19/9  
7,784,686 B2 8/2010 Halbur et al.  
7,861,926 B2 1/2011 Sheldon et al.  
D634,780 S \* 3/2011 Schumann ..... D19/9  
2002/0088855 A1 7/2002 Hodes  
2002/0143697 A1 10/2002 Gotfried  
2003/0106935 A1 6/2003 Burchette, Jr.  
2007/0170263 A1 7/2007 Waters  
2008/0149728 A1 6/2008 Lindahl et al.  
2010/0110274 A1 5/2010 Reynolds et al.

OTHER PUBLICATIONS

Wade, Will, "First Data Sees Sticker Device as Mobile-Pay Bridge,"  
American Banker, Aug. 25, 2008, 2 pages.  
"Contactless Payments: Consumer Trends and Usage Preferences,"  
firstdata.com, 2008, 2 pages.  
"Payment Processing: Mobile Commerce and the M-Wallet: A Mar-  
ket Brief," Retail Solutions Online, May 10, 2007, 2 pages.  
De Wijs—Design and Production of Stereoscopic Instruments,  
"Manual 10-slide outdoor viewer," Jul. 2006, 8 pages.  
De Wijs—Design and Production of Stereoscopic Instruments, "User  
Manual for the Panel Viewer," May 25, 2007, 6 pages.  
3DWORLDSHOP, "Red Model J View-Master viewer, new in origi-  
nal packaging," available for sale since at least 1982 3 pages.

\* cited by examiner

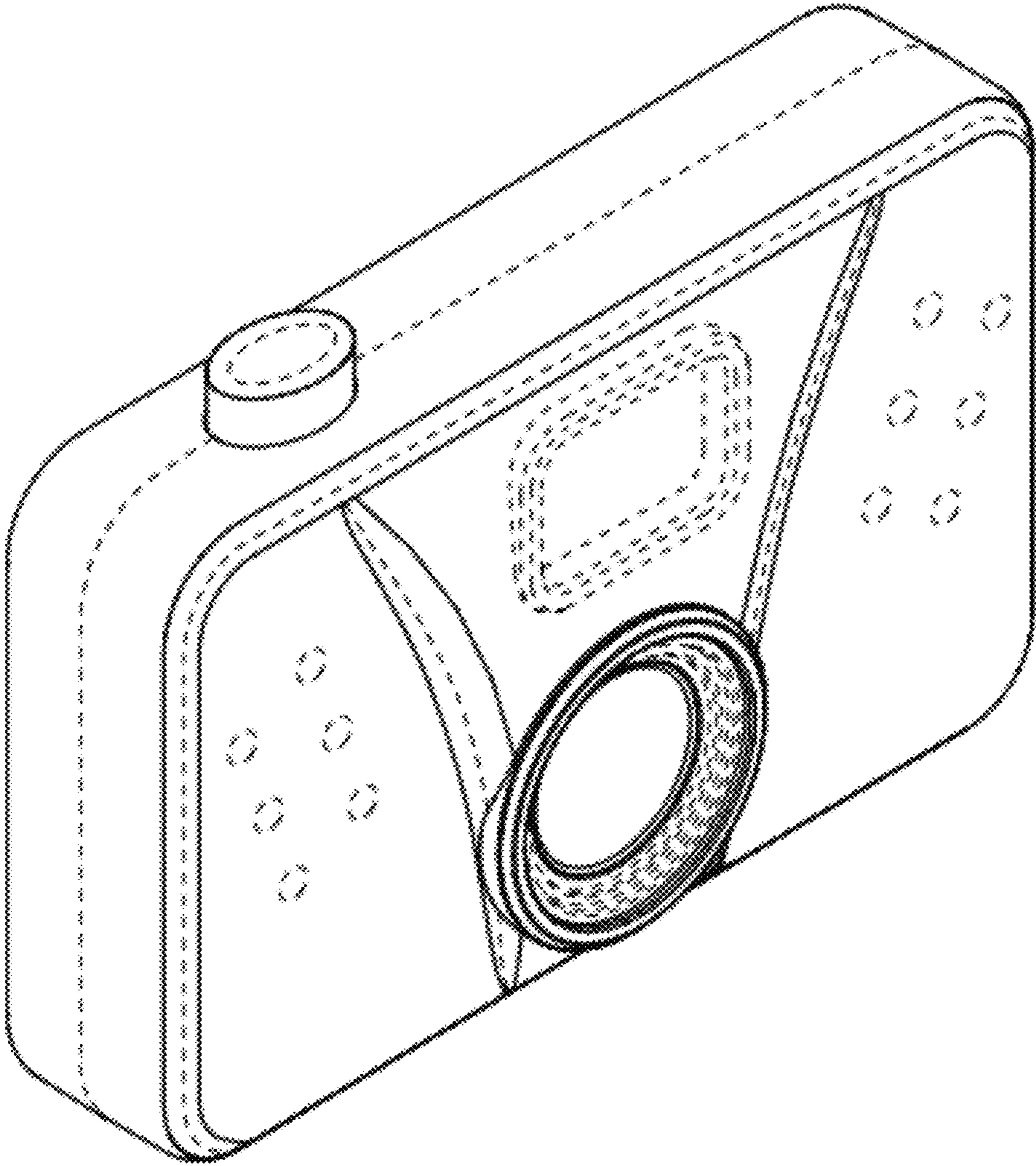


Fig. 1



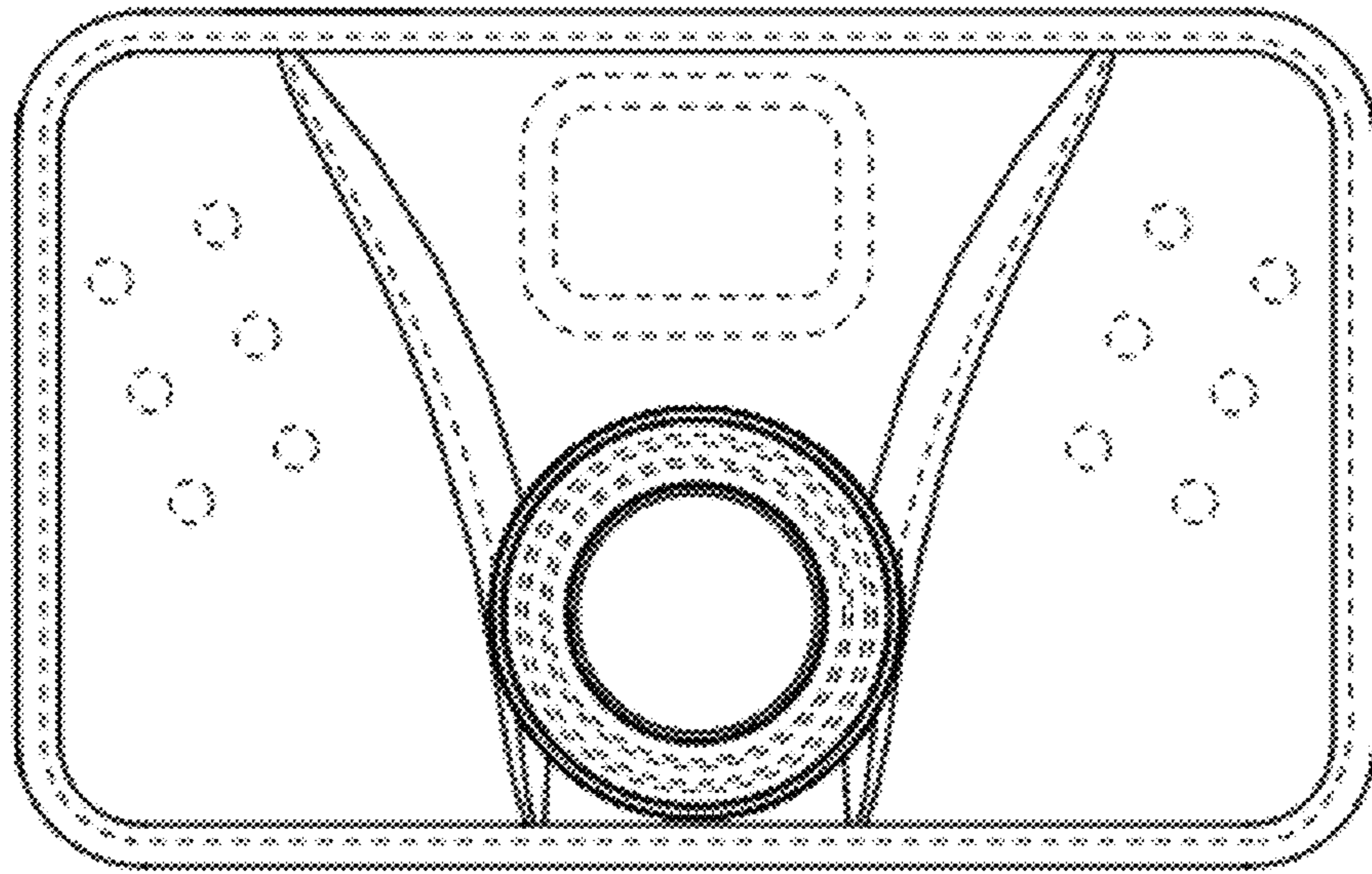


Fig. 2

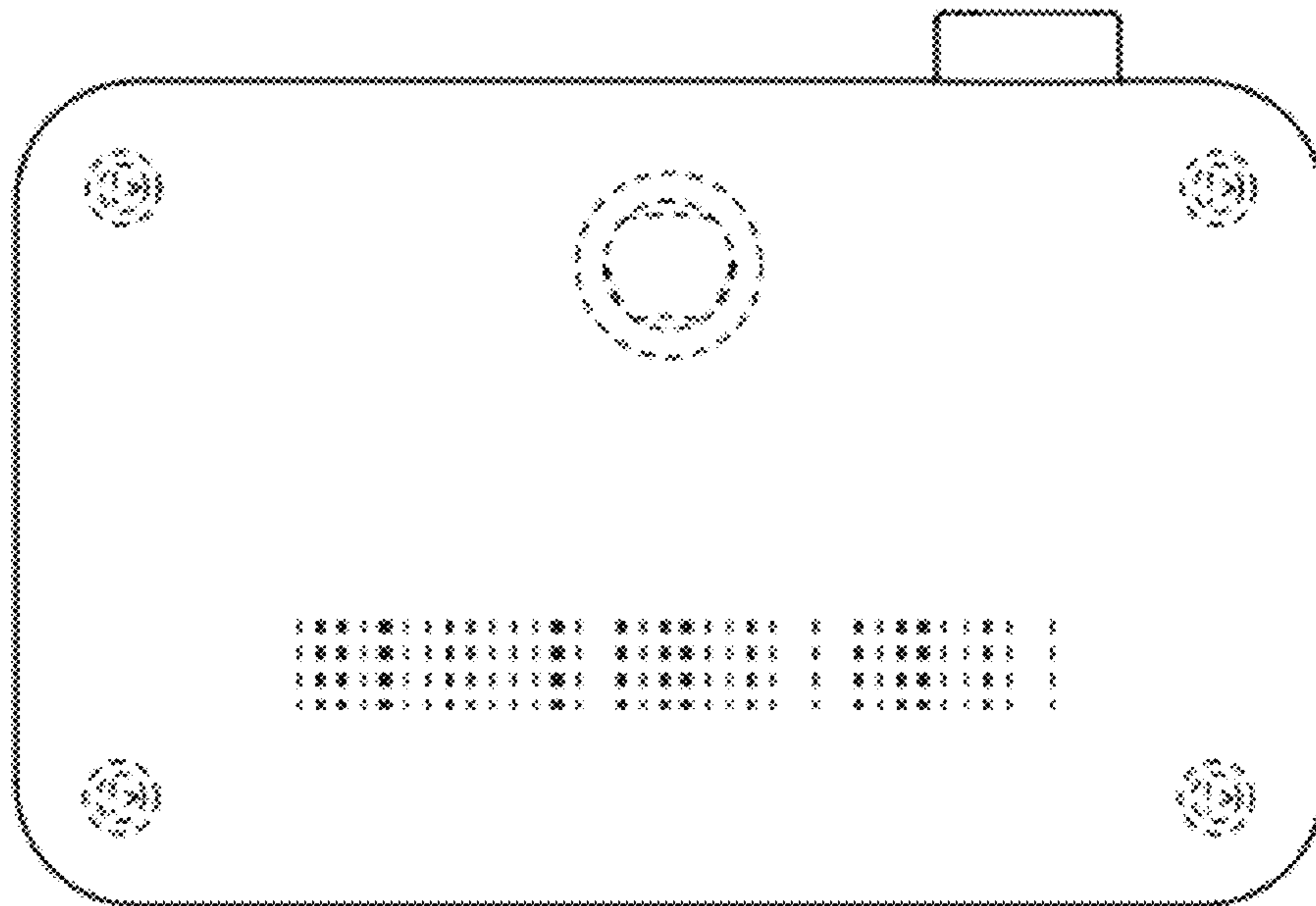
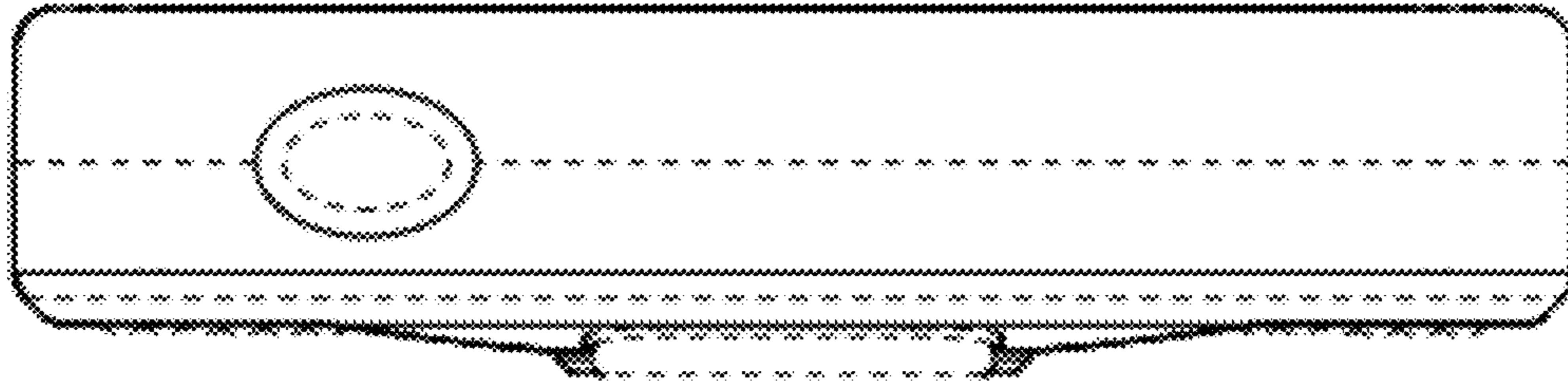
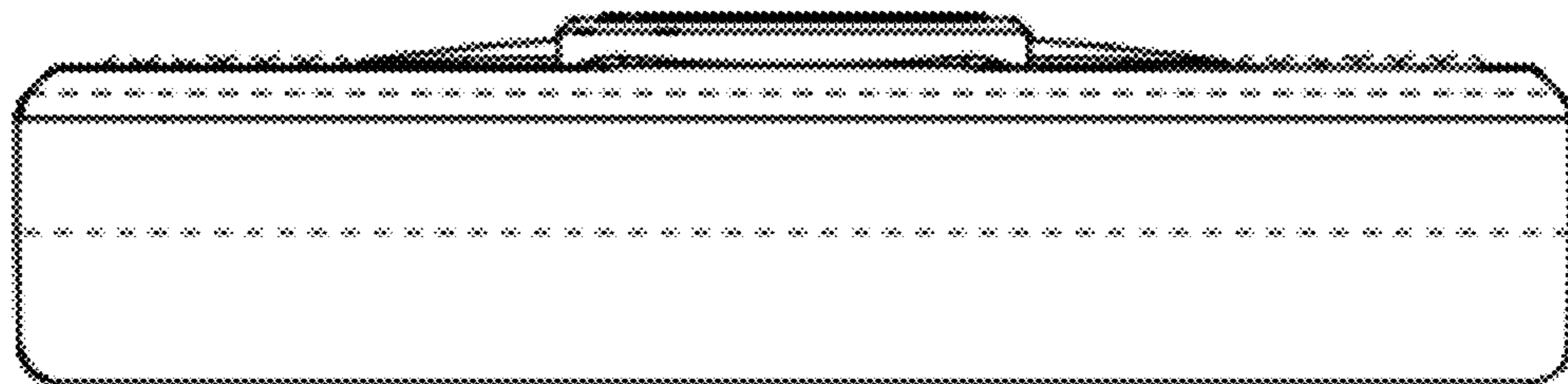


Fig. 3



**Fig. 4**



**Fig. 5**

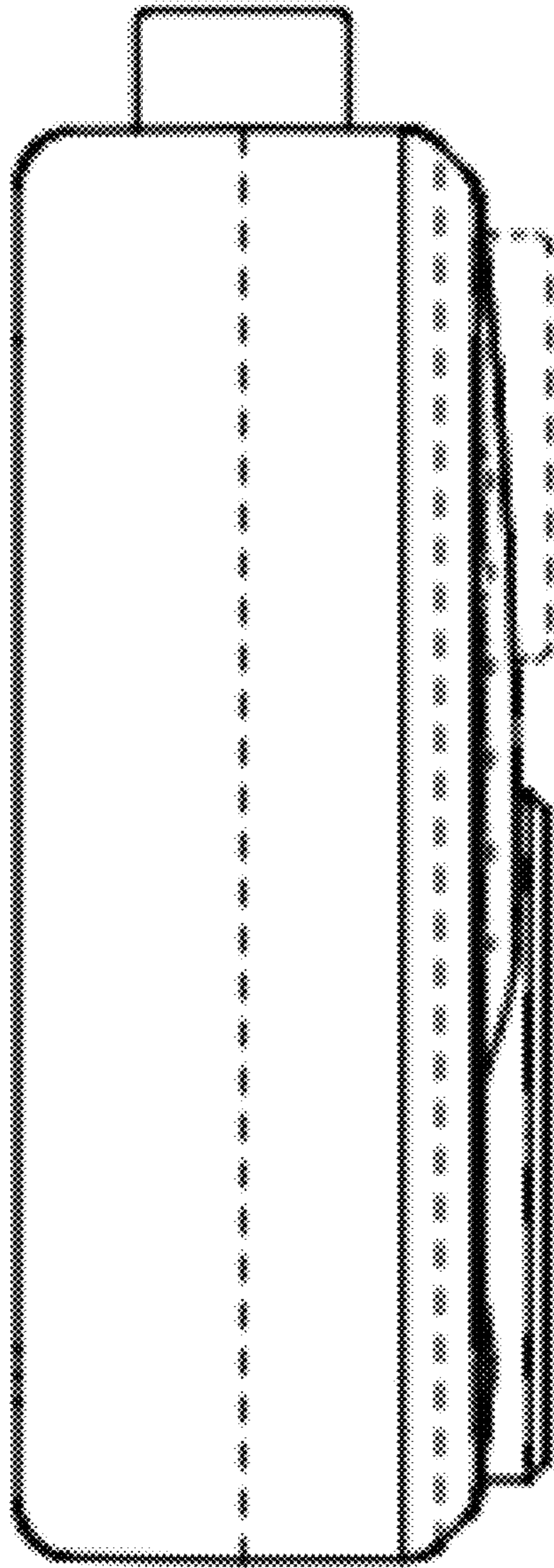


Fig. 6

UNITED STATES PATENT AND TRADEMARK OFFICE  
**CERTIFICATE OF CORRECTION**

PATENT NO. : D661,350 S  
APPLICATION NO. : 29/393747  
DATED : June 5, 2012  
INVENTOR(S) : Ted C. Halbur et al.

Page 1 of 1

It is certified that error appears in the above-identified patent and that said Letters Patent is hereby corrected as shown below:

Title page

Item [75], Inventors, delete "Jessica M. Trebrake" and insert --Jessica M. TeBrake--.

Signed and Sealed this  
Ninth Day of April, 2013



Teresa Stanek Rea  
*Acting Director of the United States Patent and Trademark Office*