



US00D661346S

(12) **United States Design Patent**
Suzuki et al.

(10) **Patent No.:** **US D661,346 S**
(45) **Date of Patent:** **** Jun. 5, 2012**

(54) **PRINTER**

(75) Inventors: **Jiro Suzuki**, Nagoya (JP); **Yusuke Nakata**, Nagoya (JP)

(73) Assignee: **Brother Industries, Ltd.**, Nagoya (JP)

(**) Term: **14 Years**

(21) Appl. No.: **29/356,765**

(22) Filed: **Mar. 2, 2010**

(30) **Foreign Application Priority Data**

Sep. 10, 2009 (JP) 2009-20878

(51) **LOC (9) Cl.** **14-02**

(52) **U.S. Cl.** **D18/55**

(58) **Field of Classification Search** D18/36-37,
D18/50, 54, 54.1, 55; D14/420-425, 462-470;
400/613, 613.1-613.4, 690.1-690.4, 691-694
See application file for complete search history.

(56) **References Cited**

U.S. PATENT DOCUMENTS

D521,061 S * 5/2006 Katayama et al. D18/55
D556,254 S * 11/2007 Yamaguchi D18/50
D558,263 S * 12/2007 Yamaguchi D18/50
D605,691 S * 12/2009 Sato D18/55

D607,050 S * 12/2009 Iritani D18/55
D632,732 S * 2/2011 Park et al. D18/50
D639,848 S * 6/2011 Sato et al. D18/50
D641,397 S * 7/2011 Kim et al. D18/55

FOREIGN PATENT DOCUMENTS

JP S-1346862 12/2008
JP S-1347527 1/2009

* cited by examiner

Primary Examiner — Cathy A MacCormac

(74) *Attorney, Agent, or Firm* — Oliff & Berridge, PLC

(57) **CLAIM**

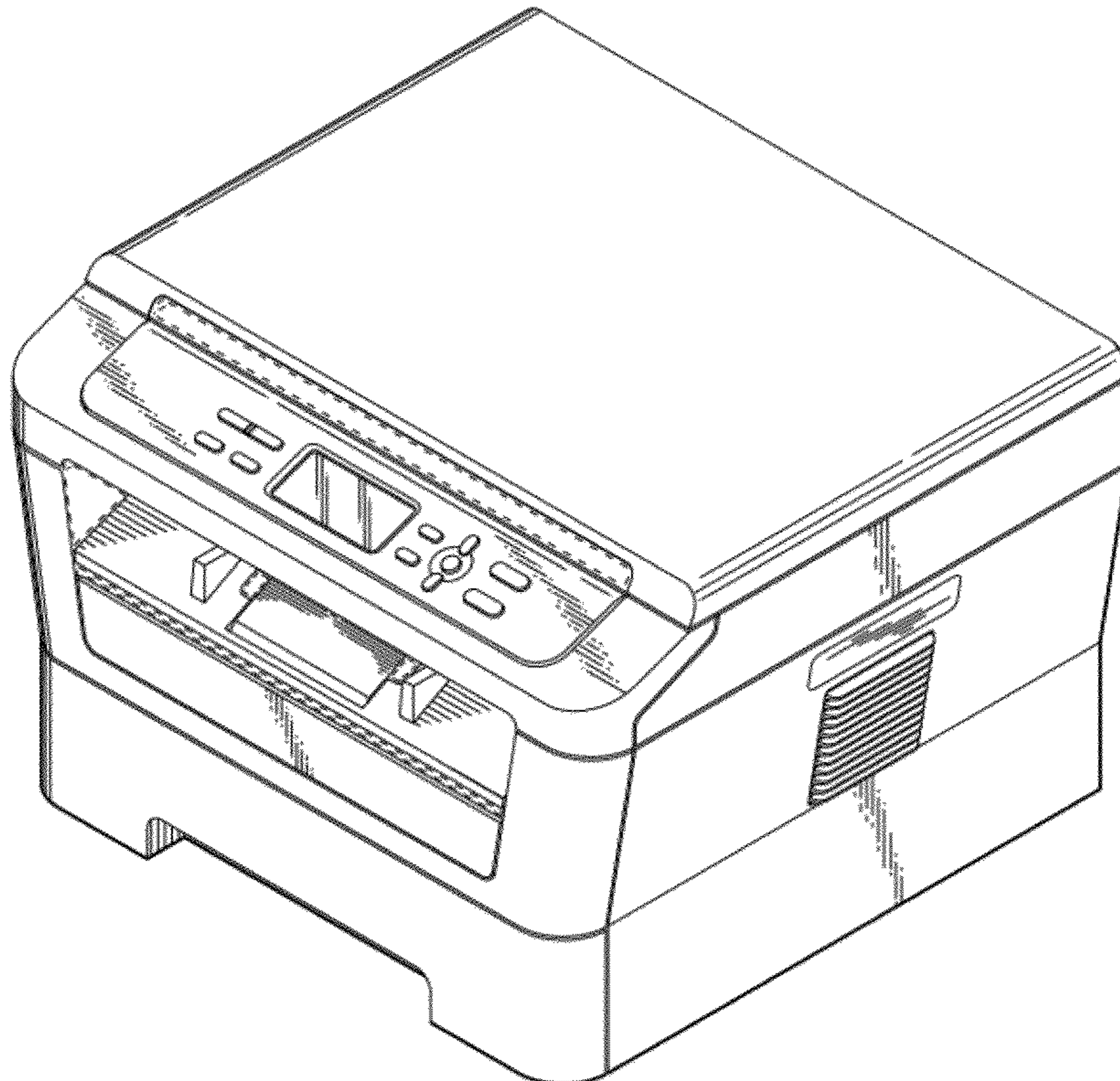
The ornamental design for a printer, as shown and described.

DESCRIPTION

FIG. 1 is a perspective view of a printer;
FIG. 2 is a front view thereof;
FIG. 3 is a top view thereof;
FIG. 4 is a right-side view thereof;
FIG. 5 is a left-side view thereof;
FIG. 6 is a rear view thereof; and,
FIG. 7 is a bottom view thereof.

The broken lines depict environmental subject matter only and form no part of the claimed design.

1 Claim, 7 Drawing Sheets



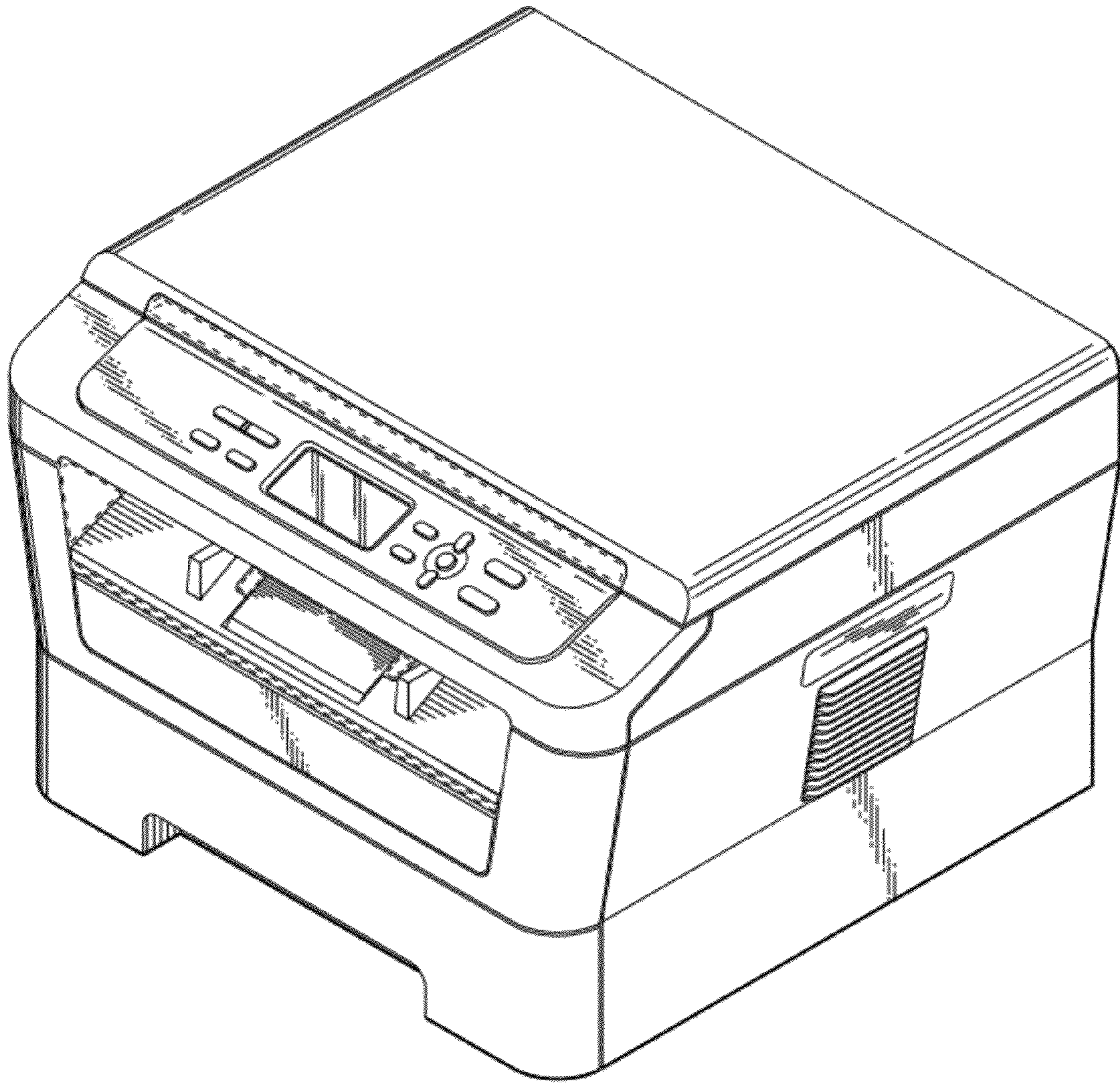


FIG. 1

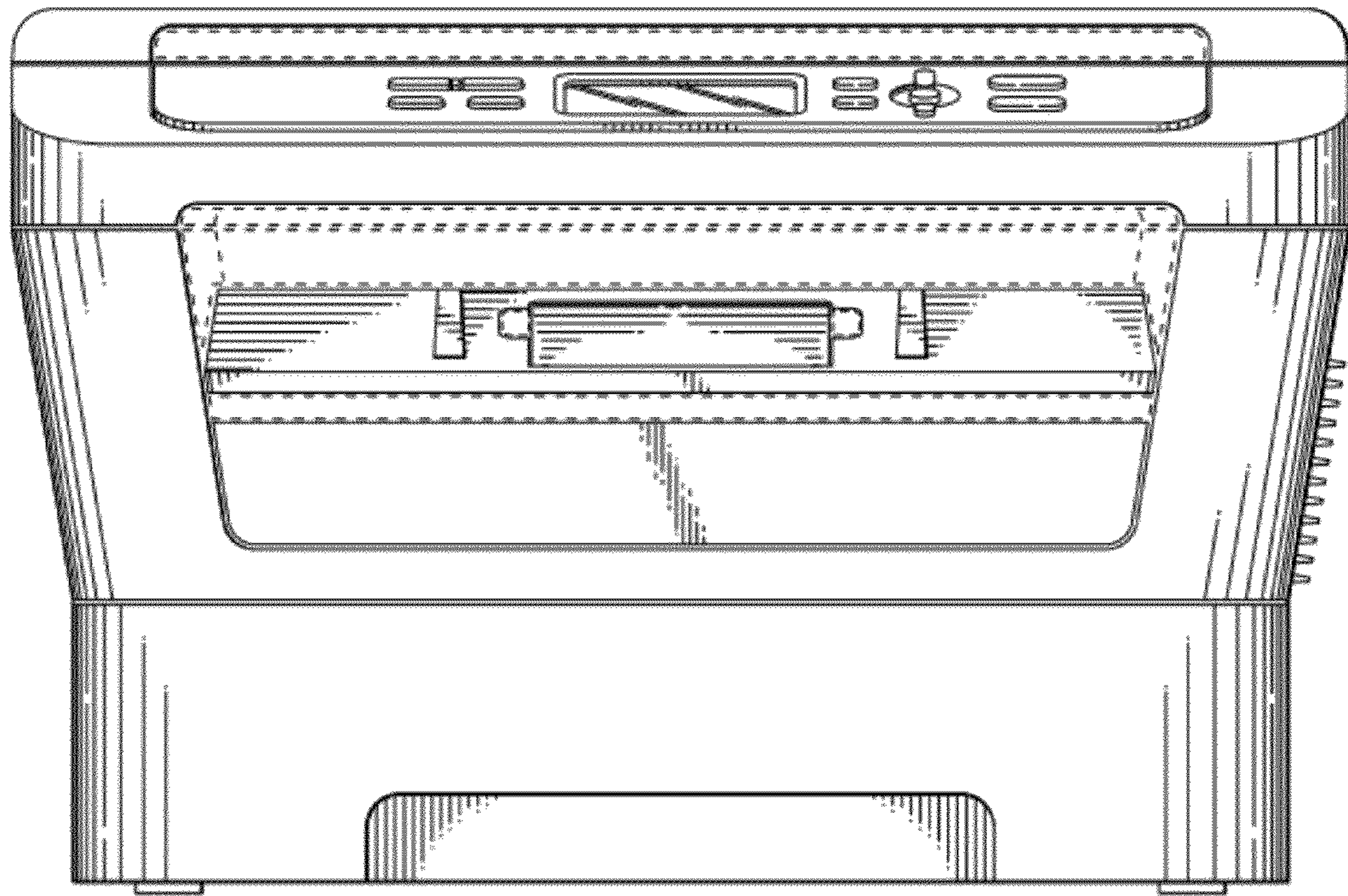


FIG. 2

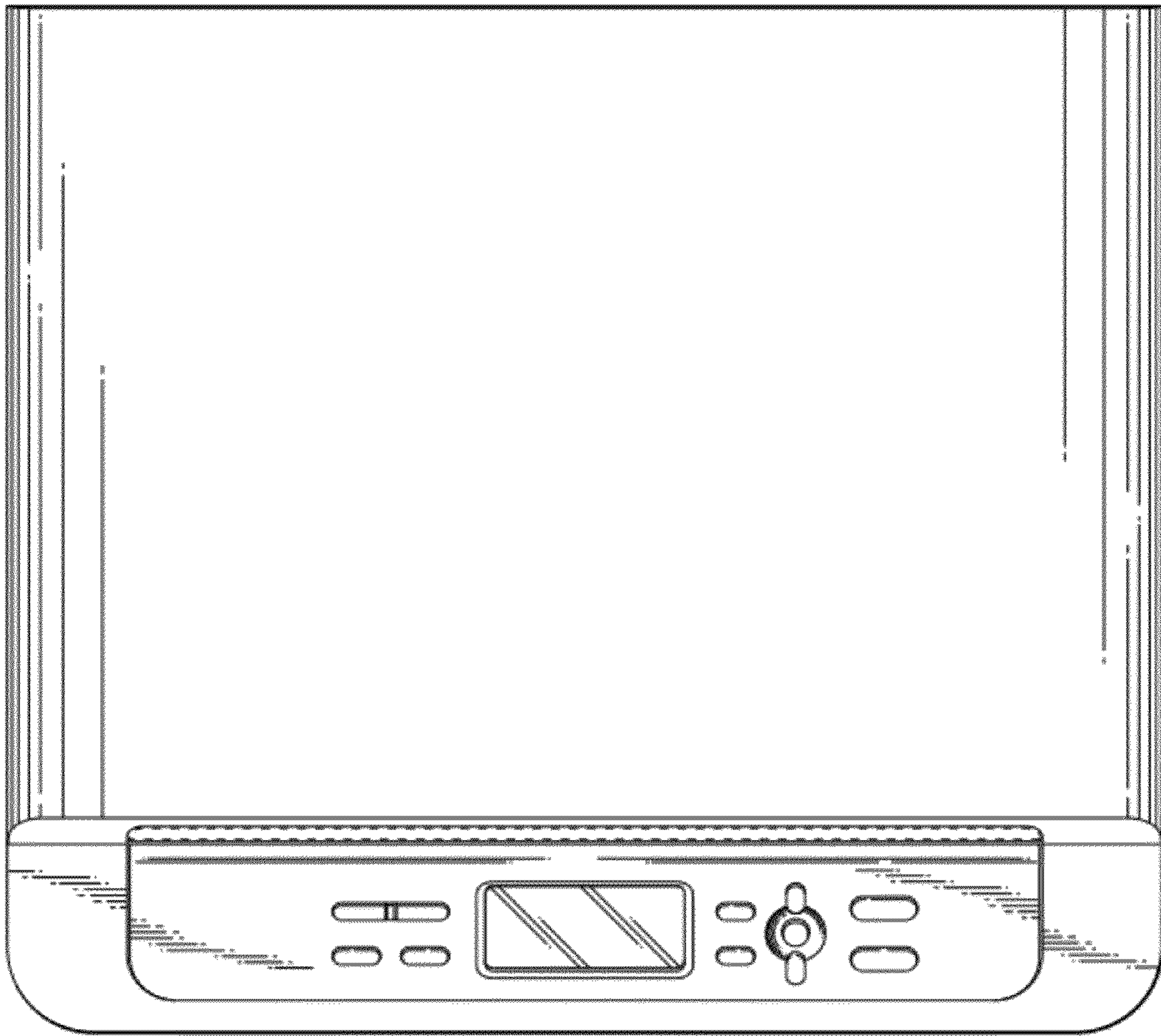


FIG. 3

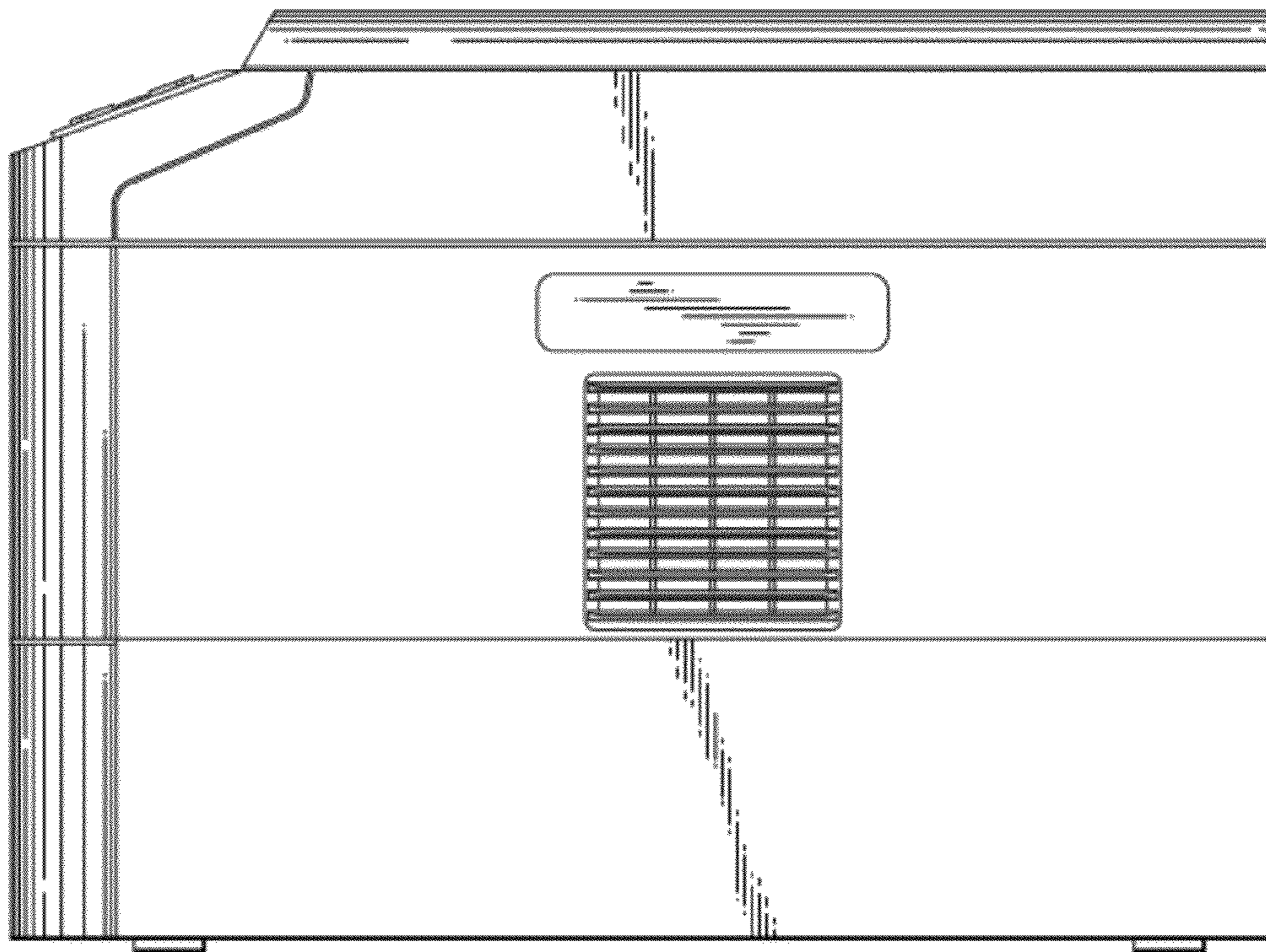


FIG. 4

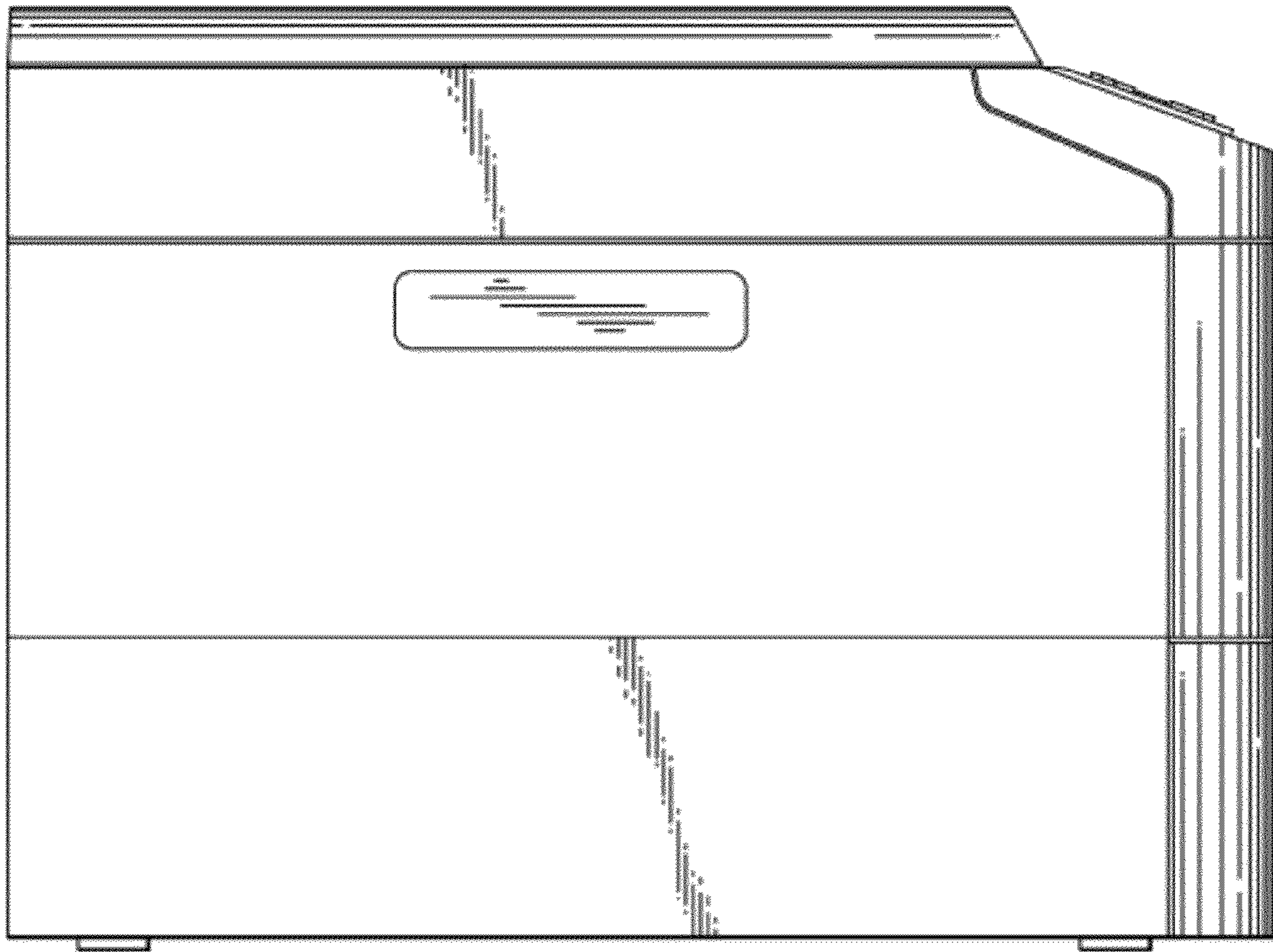


FIG. 5

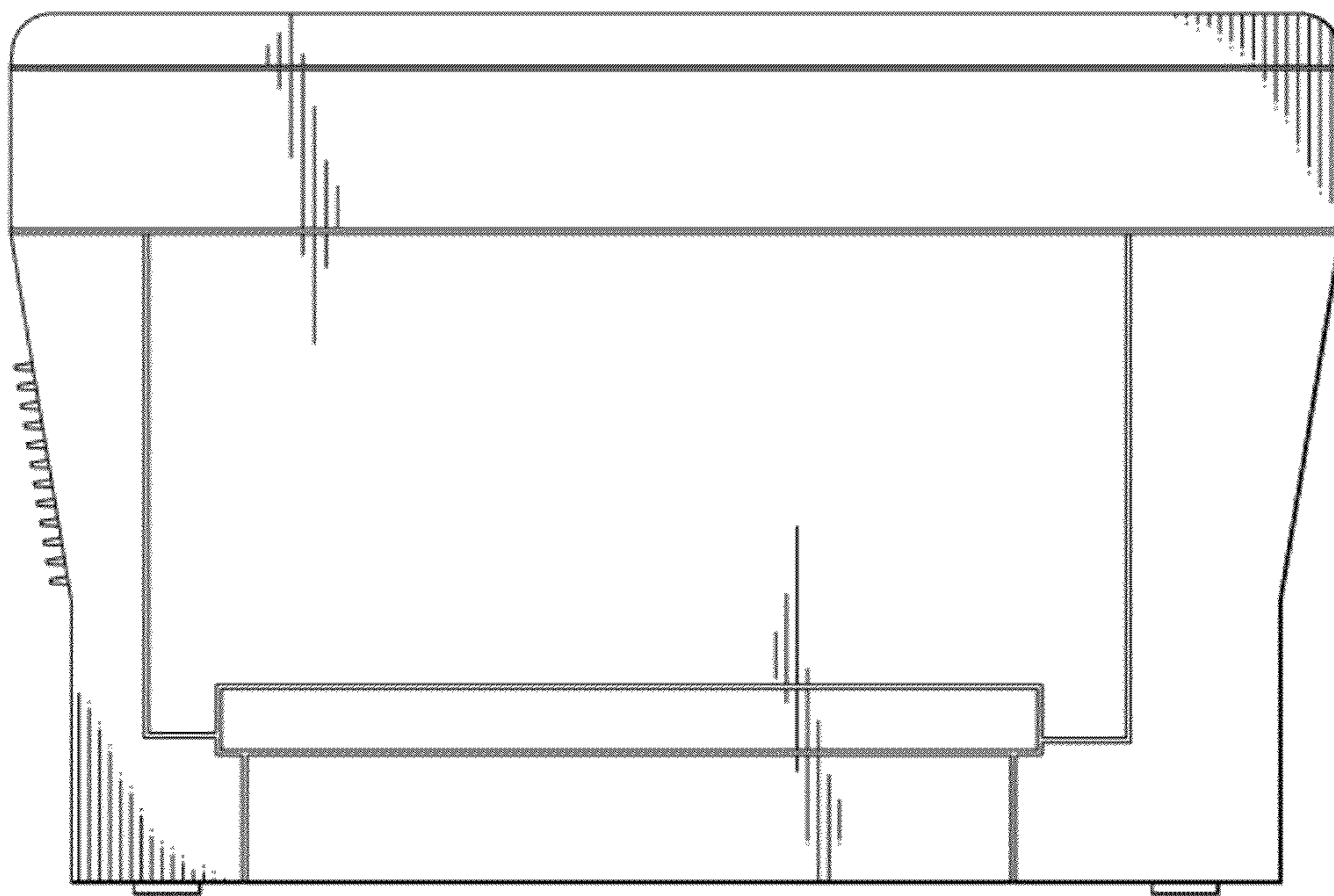


FIG. 6

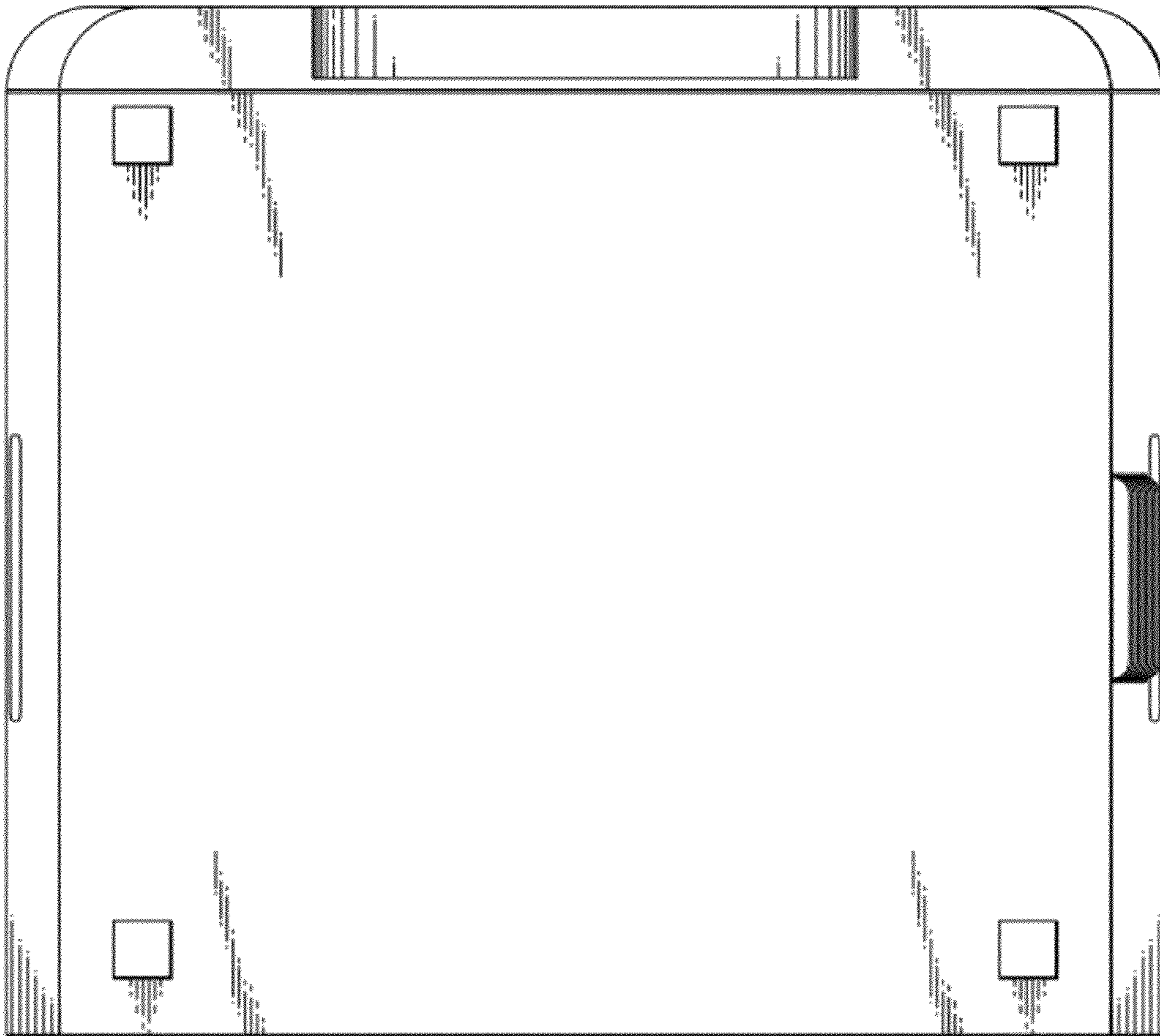


FIG. 7