



US00D661345S

(12) **United States Design Patent**
Asano et al.

(10) **Patent No.:** **US D661,345 S**
(45) **Date of Patent:** **** Jun. 5, 2012**

(54) **PRINTER**

(75) Inventors: **Masahide Asano**, Nagoya (JP); **Yusaku Seki**, Nagoya (JP)

(73) Assignee: **Brother Industries, Ltd.**, Nagoya (JP)

(**) Term: **14 Years**

(21) Appl. No.: **29/356,745**

(22) Filed: **Mar. 2, 2010**

(30) **Foreign Application Priority Data**

Sep. 10, 2009 (JP) 2009-020875
Sep. 10, 2009 (JP) 2009-20876

(51) **LOC (9) Cl.** **14-02**

(52) **U.S. Cl.** **D18/50**

(58) **Field of Classification Search** D18/36-37,
D18/50, 54, 54.1, 55; D14/420-425, 462-470;
400/613, 613.1-613.4, 690.1-690.4, 691-694
See application file for complete search history.

(56) **References Cited**

U.S. PATENT DOCUMENTS

D421,045 S * 2/2000 Quijano D18/55
D528,154 S * 9/2006 Hattori D18/54
D532,043 S * 11/2006 Park et al. D18/50
D550,768 S * 9/2007 Hoshiya et al. D18/55
D556,256 S * 11/2007 Matsumoto D18/55
D556,257 S * 11/2007 Yamaguchi D18/55
D586,384 S * 2/2009 Yamaguchi et al. D18/55
D596,226 S * 7/2009 Yamaguchi D18/55
D609,270 S * 2/2010 Kato et al. D18/55

D611,091 S * 3/2010 Ishikawa et al. D18/55
D613,791 S * 4/2010 Yoshioka et al. D18/55
D614,693 S * 4/2010 Kato et al. D18/50
D639,849 S * 6/2011 Sato et al. D18/50

FOREIGN PATENT DOCUMENTS

EM 1105464-001 3/2009

* cited by examiner

Primary Examiner — Cathy A MacCormac

(74) *Attorney, Agent, or Firm* — Oliff & Berridge, PLC

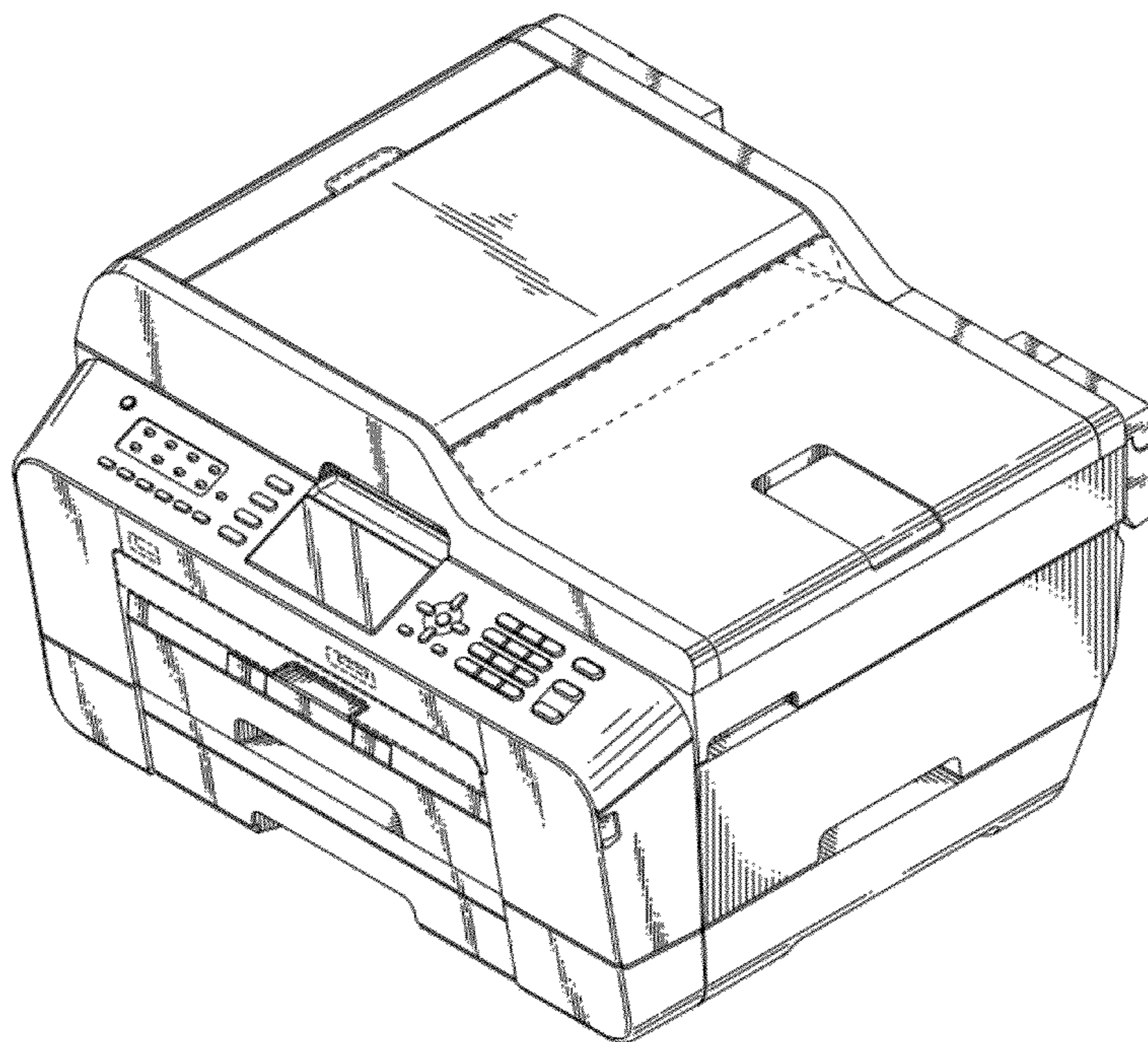
(57) **CLAIM**

The ornamental design for a printer, as shown and described.

DESCRIPTION

FIG. 1 is a perspective view of a printer;
FIG. 2 is a front view thereof;
FIG. 3 is a top view thereof;
FIG. 4 is a right-side view thereof;
FIG. 5 is a left-side view thereof;
FIG. 6 is a rear view thereof;
FIG. 7 is a bottom view thereof
FIG. 8 is a perspective view of a second embodiment of the printer shown in FIG. 1:
FIG. 9 is a front view thereof;
FIG. 10 is a top view thereof;
FIG. 11 is a right-side view thereof;
FIG. 12 is a left-side view thereof;
FIG. 13 is a rear view thereof; and,
FIG. 14 is a bottom view thereof.
The broken lines are for illustration only and form no part of the claimed design.

1 Claim, 13 Drawing Sheets



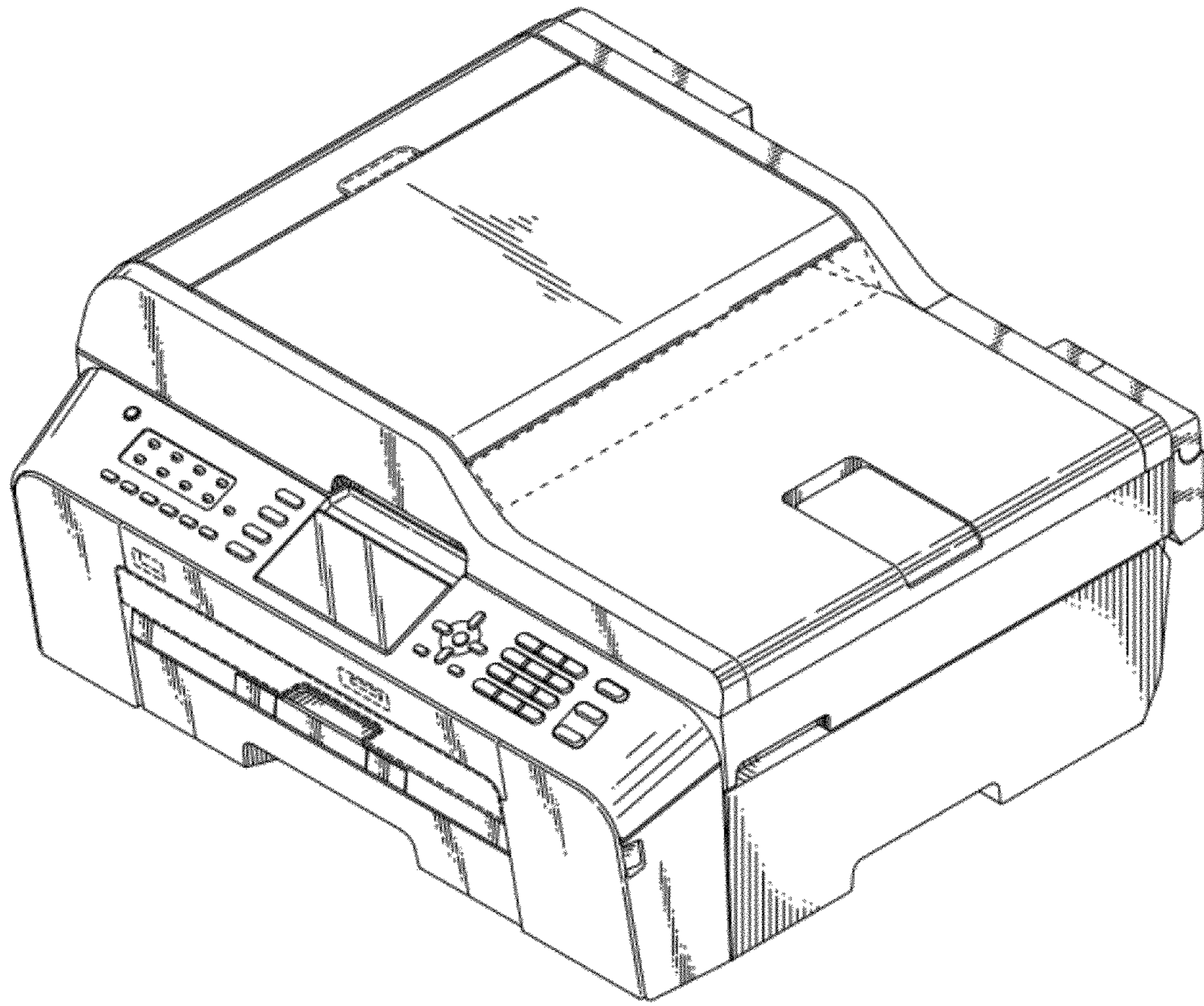


FIG. 1

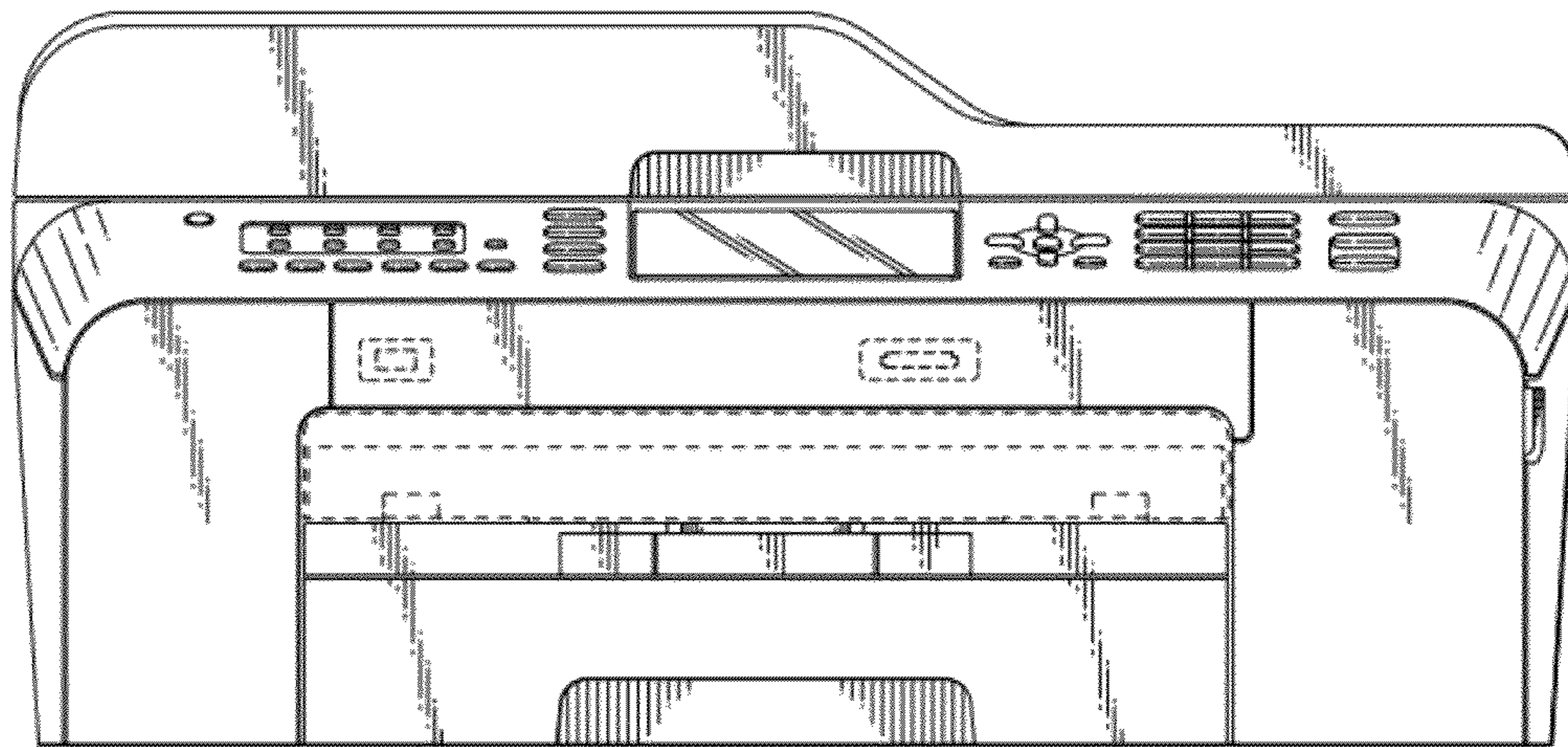


FIG. 2

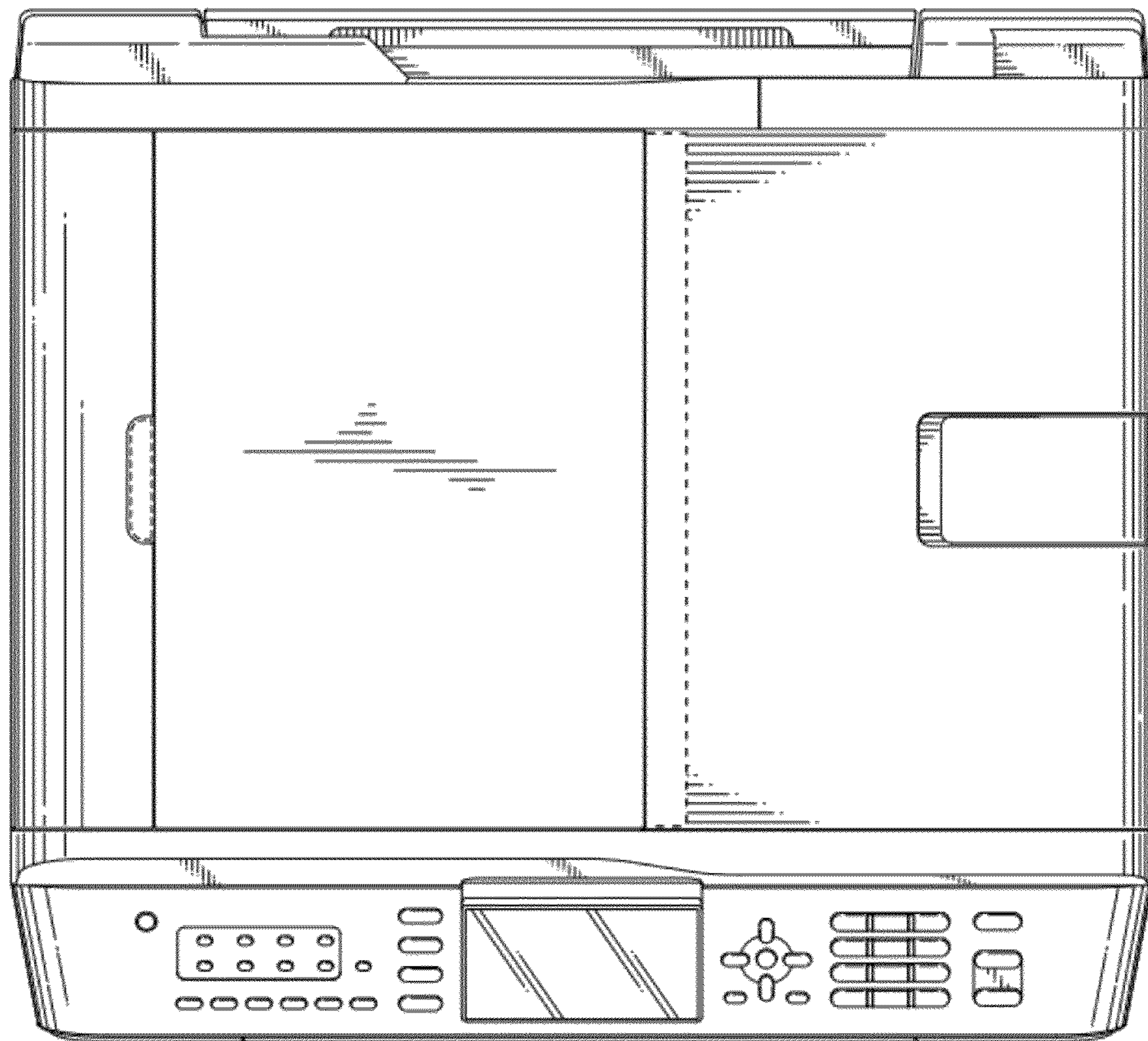


FIG. 3

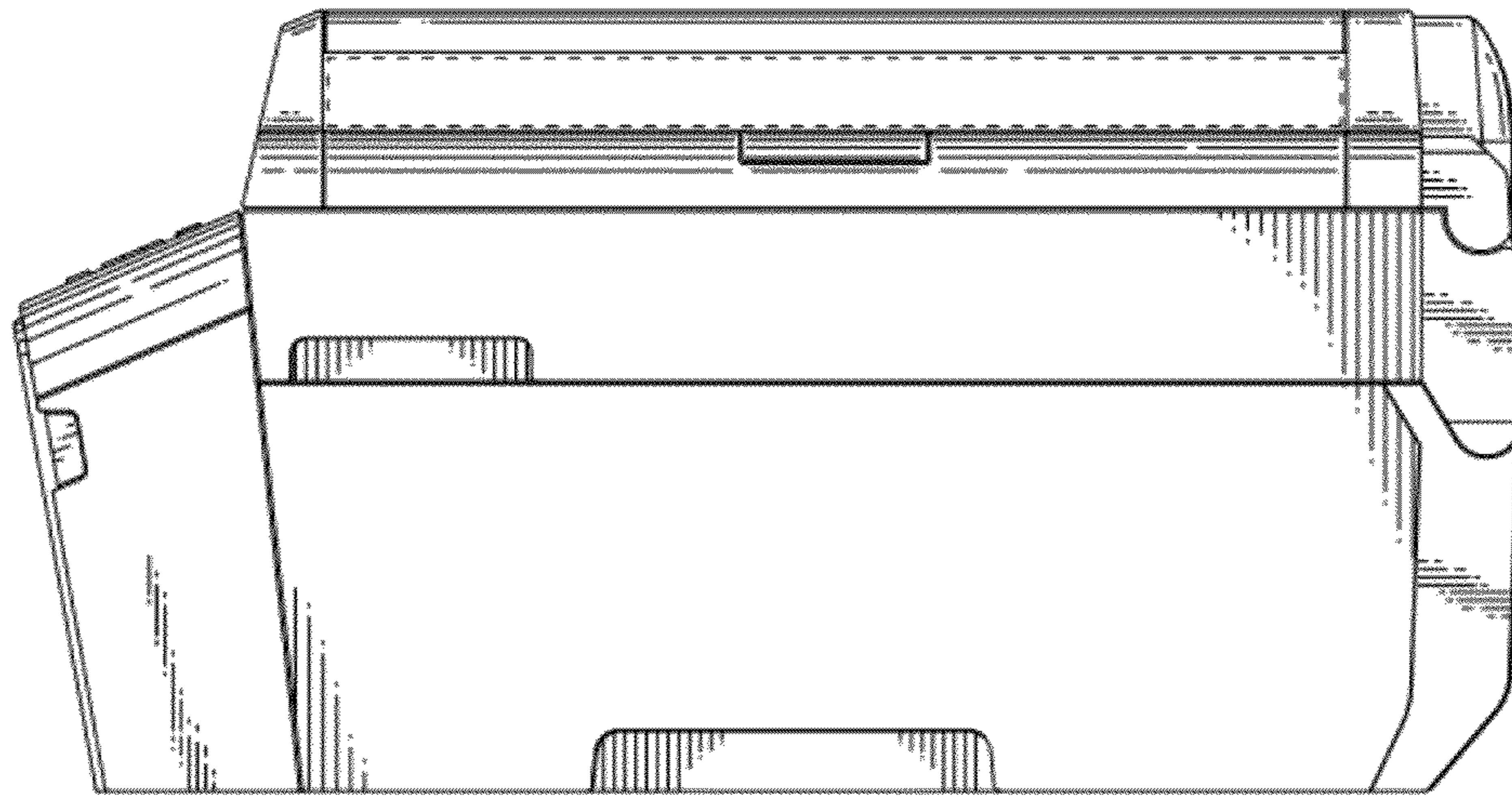


FIG. 4

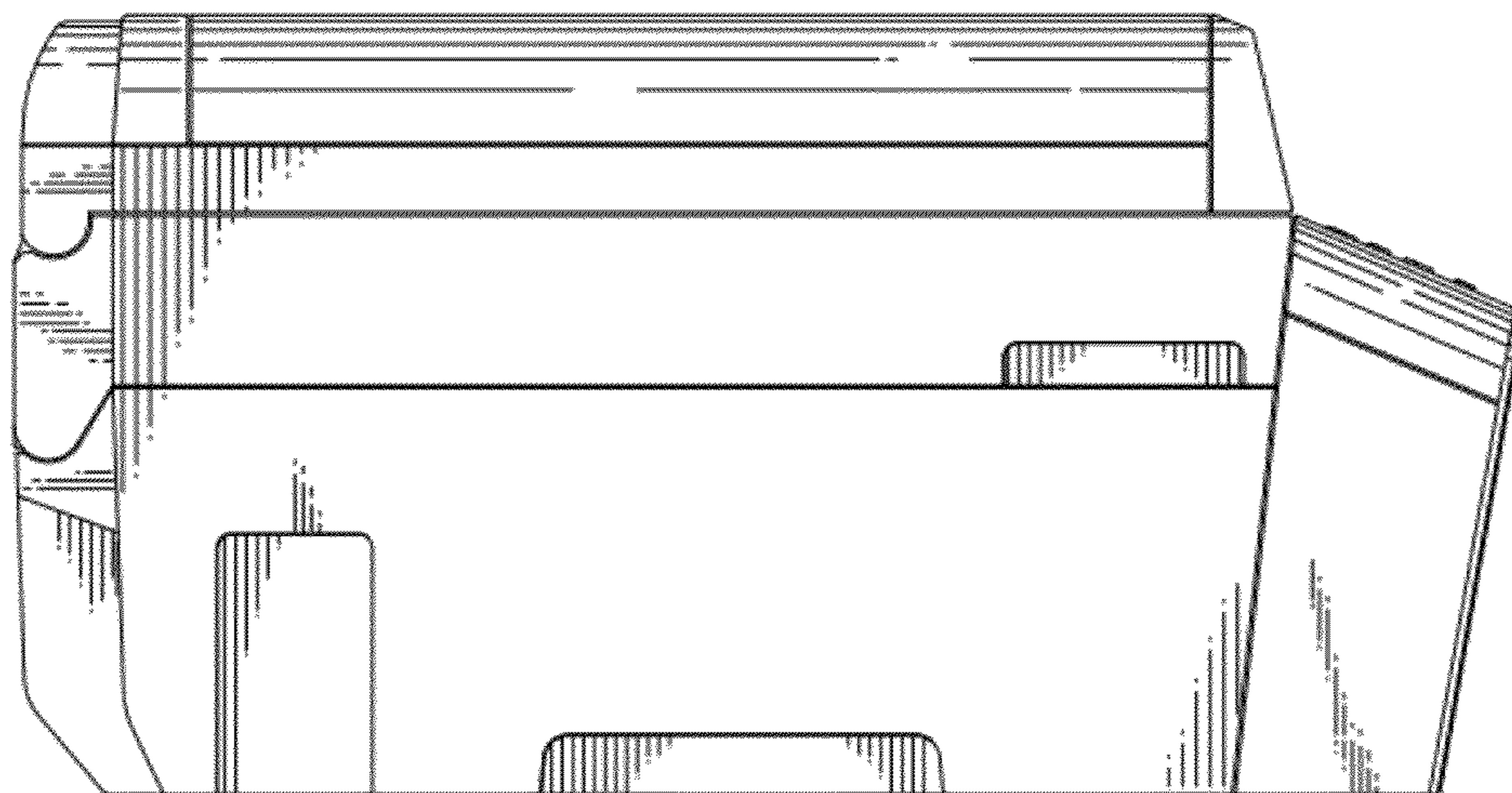


FIG. 5

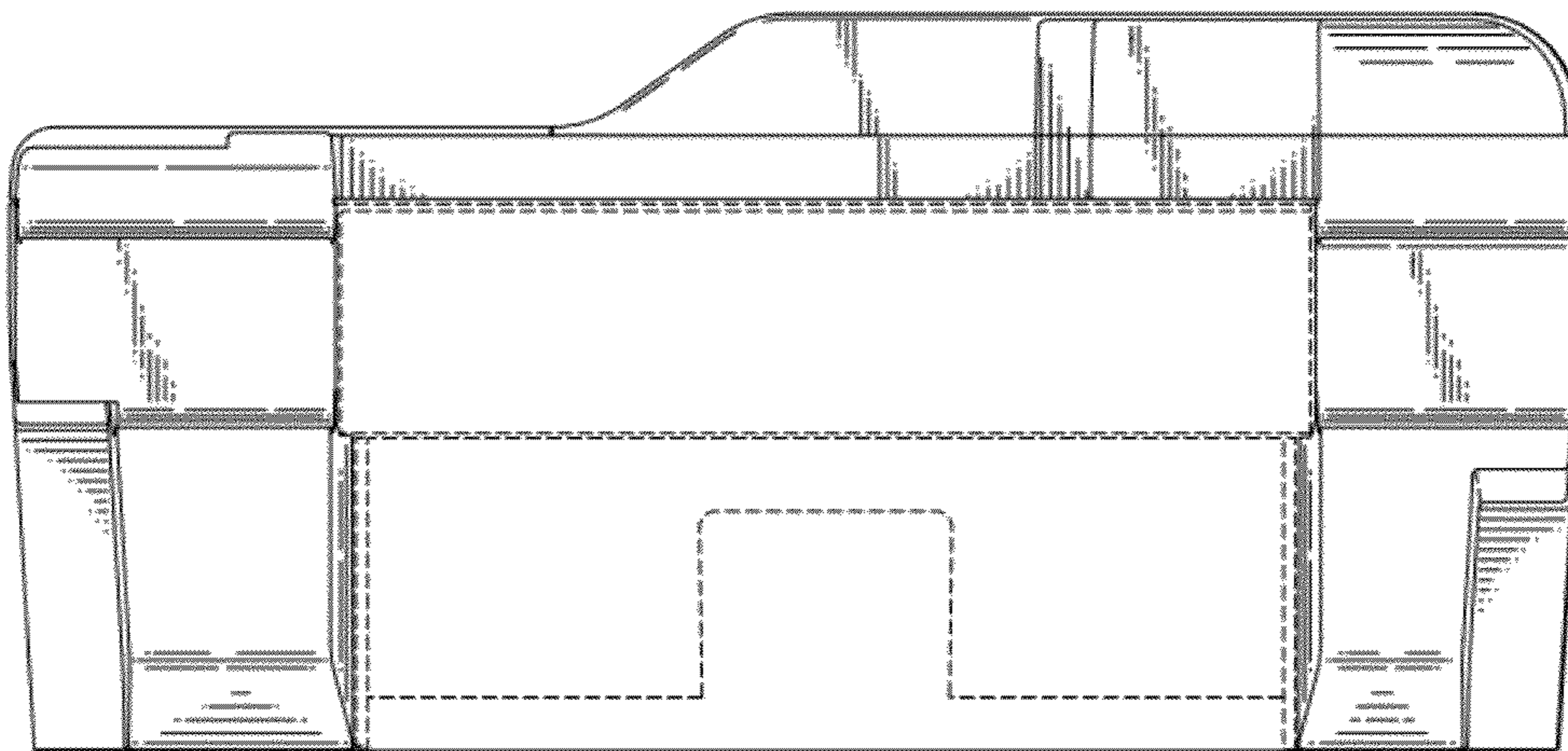


FIG. 6

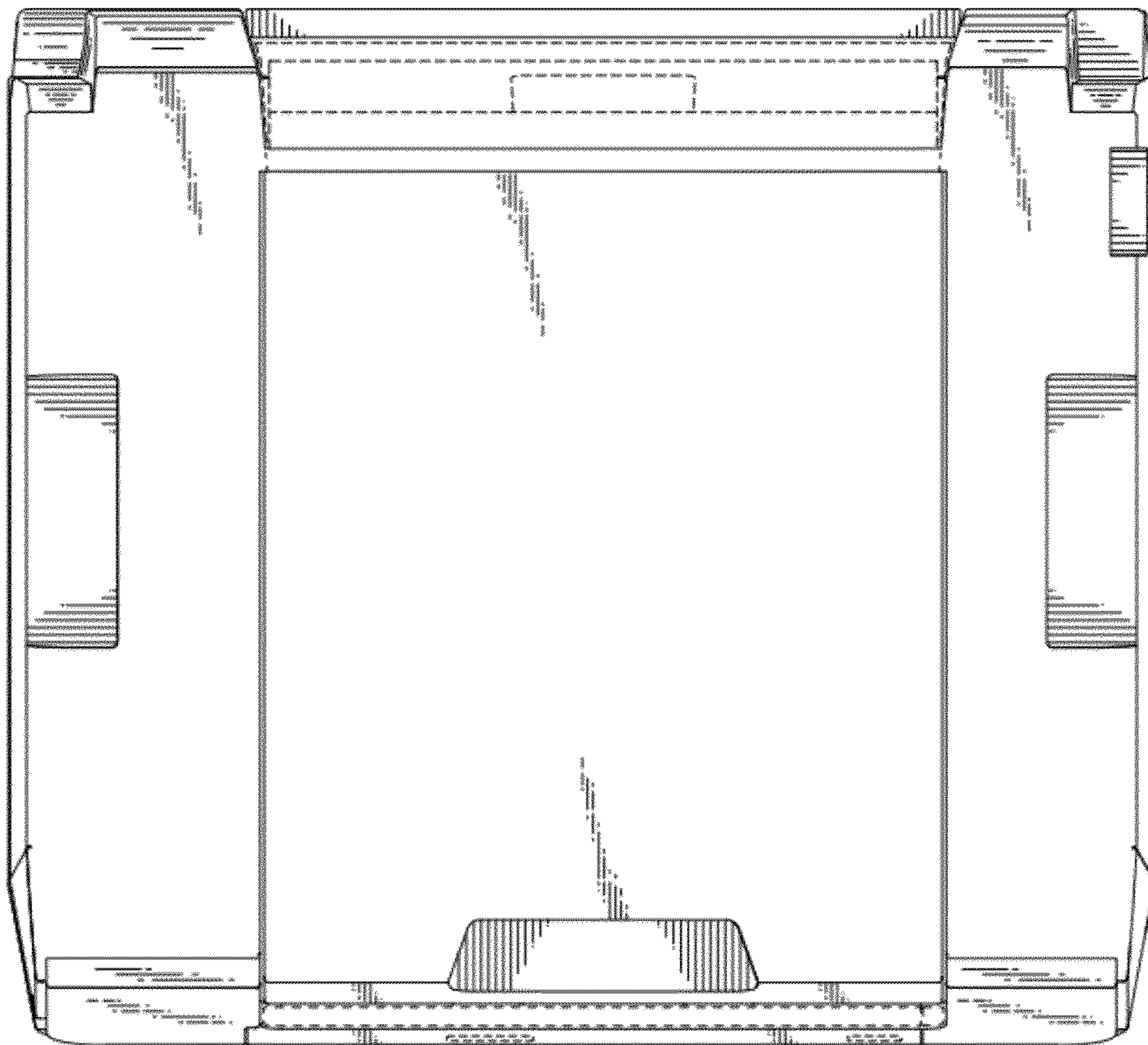


FIG. 7

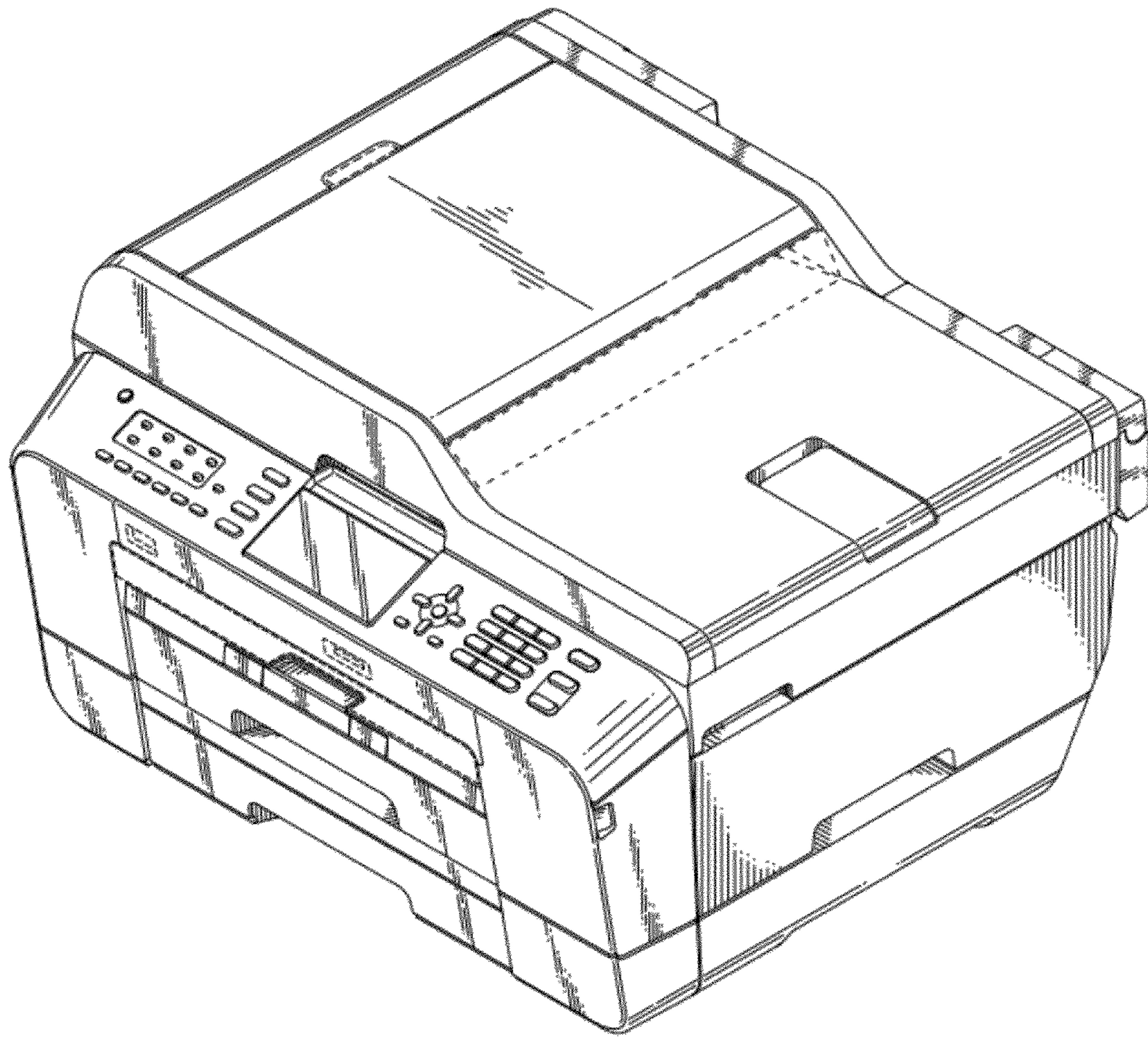


FIG. 8

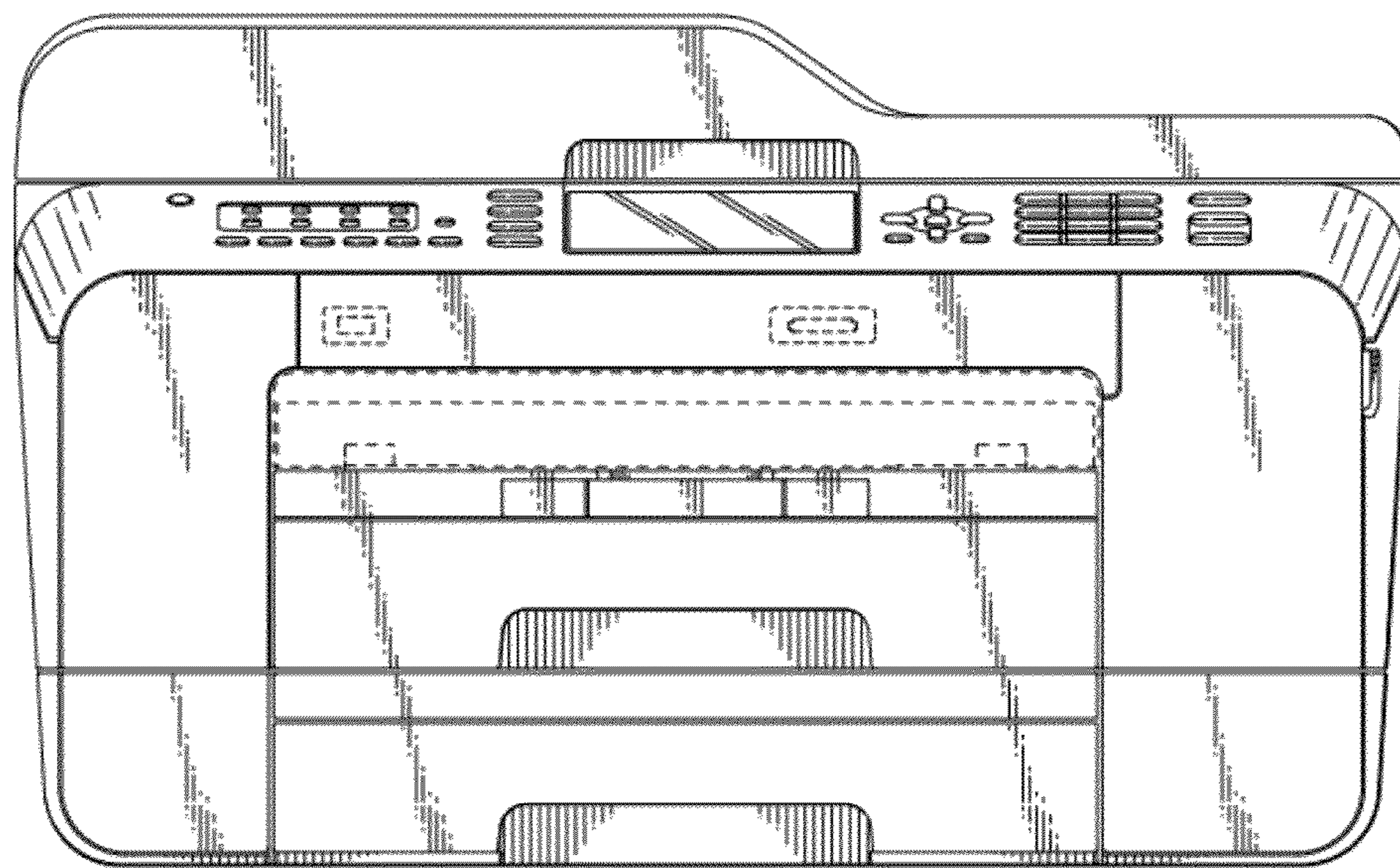


FIG. 9

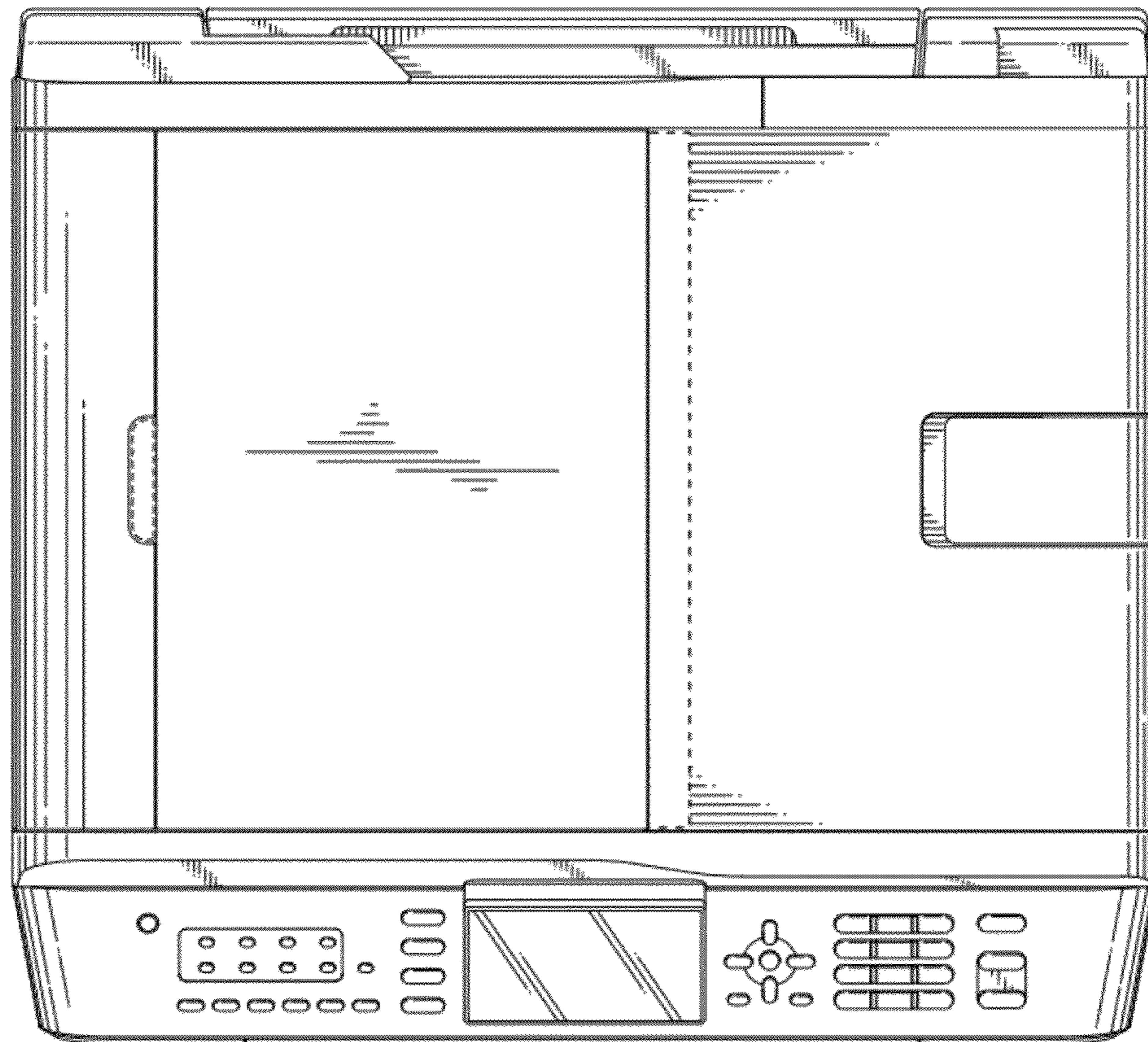


FIG. 10

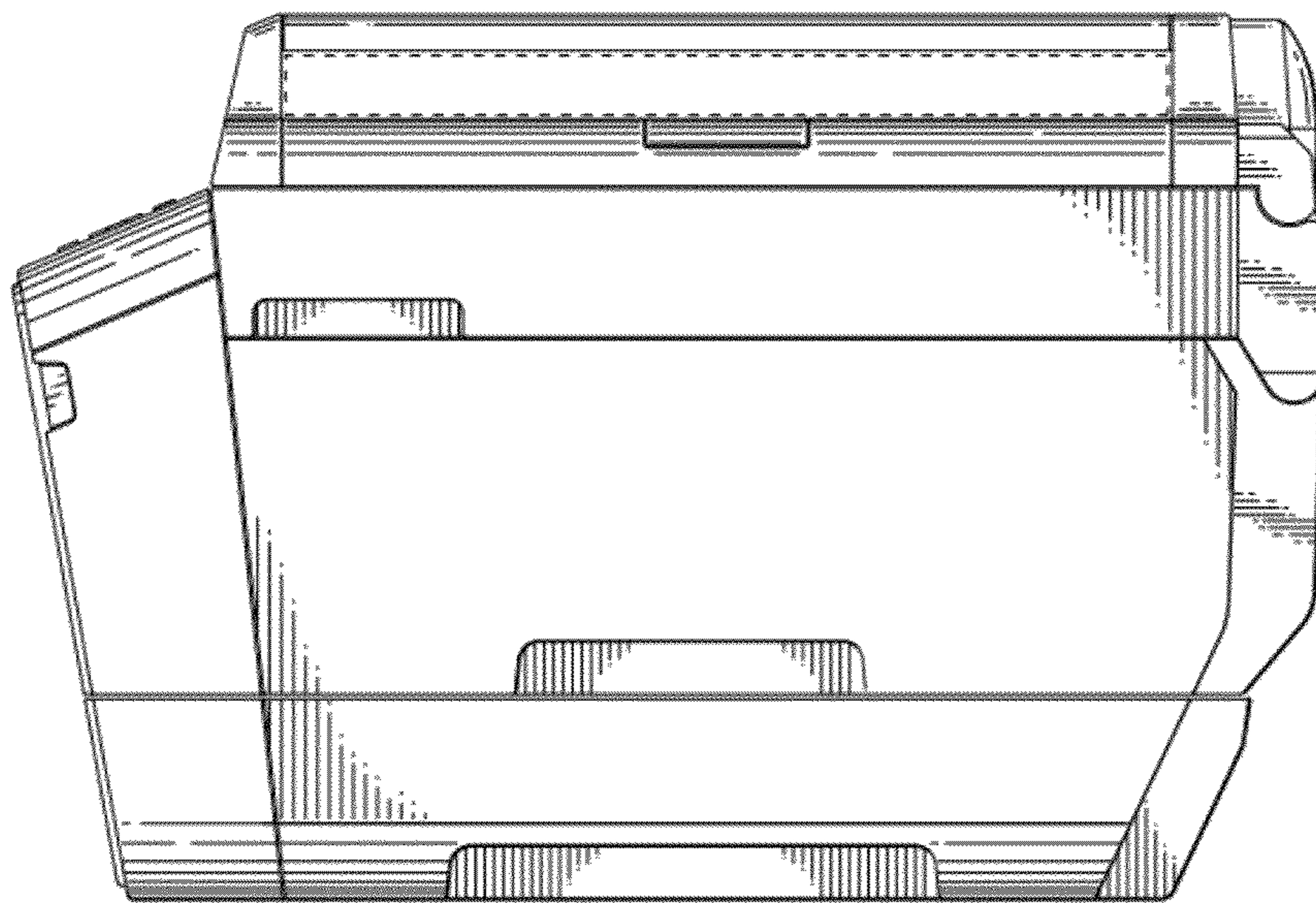


FIG. 11

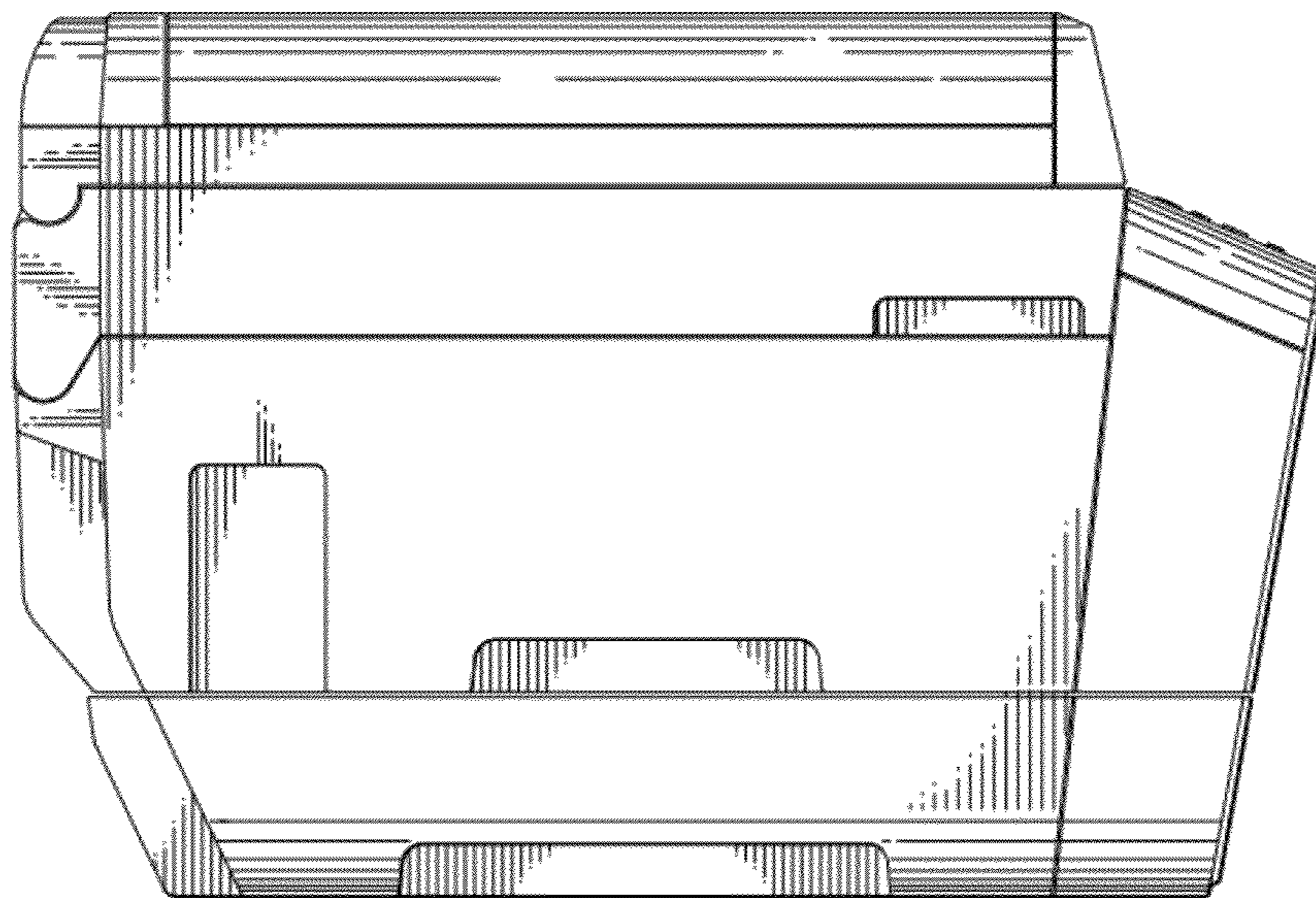


FIG. 12

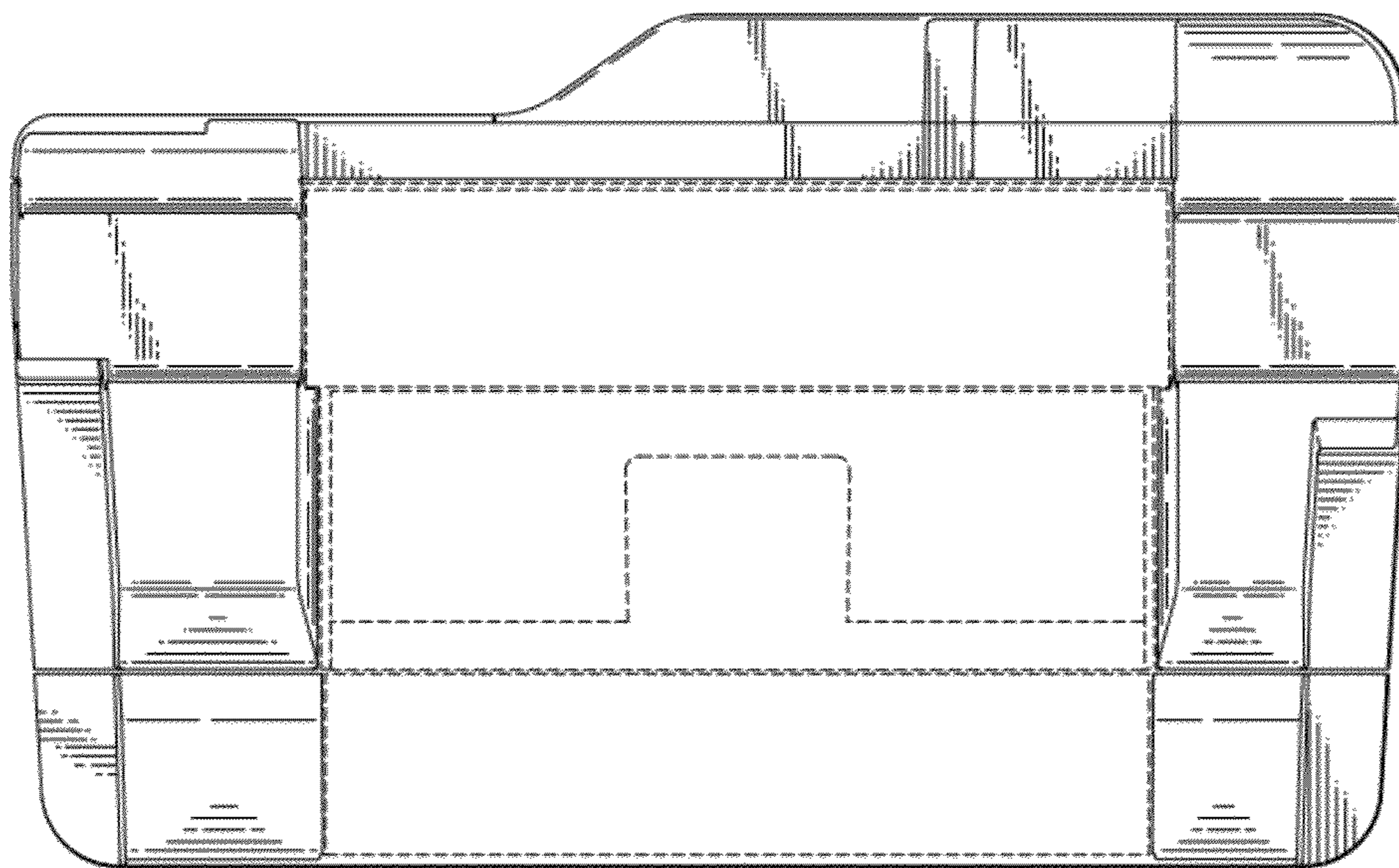


FIG. 13

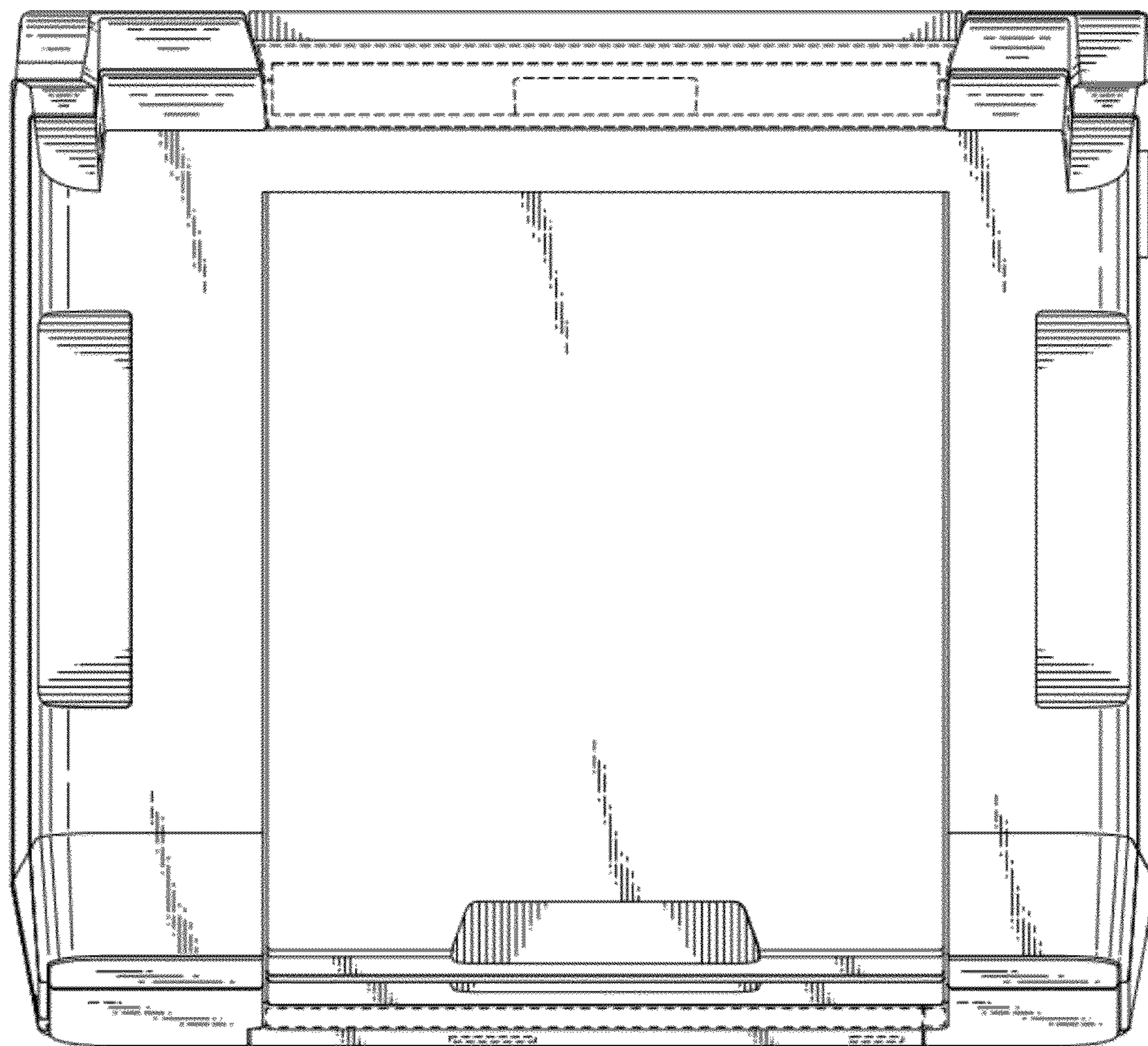


FIG. 14