



US00D661344S

(12) **United States Design Patent**
Okamoto et al.

(10) **Patent No.:** **US D661,344 S**
(45) **Date of Patent:** **** Jun. 5, 2012**

(54) **TONER CARTRIDGE**

(74) *Attorney, Agent, or Firm* — Sughrue Mion, PLLC

(75) Inventors: **Masaya Okamoto**, Kanagawa (JP);
Kota Furuhashi, Kanagawa (JP)

(57) **CLAIM**

The ornamental design for a toner cartridge, as shown and described.

(73) Assignee: **Fuji Xerox Co., Ltd.**, Tokyo (JP)

(**) Term: **14 Years**

(21) Appl. No.: **29/369,851**

(22) Filed: **Sep. 14, 2010**

(30) **Foreign Application Priority Data**

Mar. 17, 2010 (JP) 2010-006586

(51) **LOC (9) Cl.** **16-03**

(52) **U.S. Cl.** **D18/43**

(58) **Field of Classification Search** D14/471;
D18/12, 36, 40, 43, 44, 56; 222/DIG. 1;
347/197, 222; 399/24–28, 107–112, 119,
399/121, 122, 222–224

See application file for complete search history.

DESCRIPTION

FIG. 1 is a bottom, front, left side perspective view of a toner cartridge showing our new design;
FIG. 2 is a front view thereof;
FIG. 3 is a rear view thereof;
FIG. 4 is a top plan view thereof;
FIG. 5 is a bottom view thereof;
FIG. 6 is a right side view thereof;
FIG. 7 is a left side view thereof;
FIG. 8 is a bottom, front, left side perspective view thereof, with the handle and shutter cover not shown for ease of disclosure;
FIG. 9 is a bottom, rear, left side perspective view thereof, as shown in FIG. 8;
FIG. 10 is a top, rear, right side perspective view thereof, as shown in FIG. 8;
FIG. 11 is a right side view thereof, as shown in FIG. 8; and,
FIG. 12 is a cross-section view thereof, taken on line 12-12 of FIG. 11, omitting the internal mechanism.
The portions of the article in broken line are shown for illustrative purposes only and form no part of the claimed design.
The portions of the article in dashed-dotted line are shown for boundaries between the claimed portion and the non-claimed portion and form no part of the claimed design.

(56) **References Cited**

U.S. PATENT DOCUMENTS

D431,593 S *	10/2000	Gumbe	D18/40
D471,582 S *	3/2003	Mori	D18/40
D529,947 S *	10/2006	Nakajima et al.	D18/43
D529,948 S *	10/2006	Jimba et al.	D18/43
D530,359 S *	10/2006	Isomura et al.	D18/43
D530,360 S *	10/2006	Isomura et al.	D18/43
D538,333 S *	3/2007	Nakajima et al.	D18/43
7,369,798 B2 *	5/2008	Sasae et al.	399/262
D618,721 S *	6/2010	Wasai	D18/43

FOREIGN PATENT DOCUMENTS

JP	4370540 B1	9/2009
JP	4371177 B1	9/2009
JP	4433095 B1	1/2010

* cited by examiner

Primary Examiner — Garth Rademaker

1 Claim, 11 Drawing Sheets

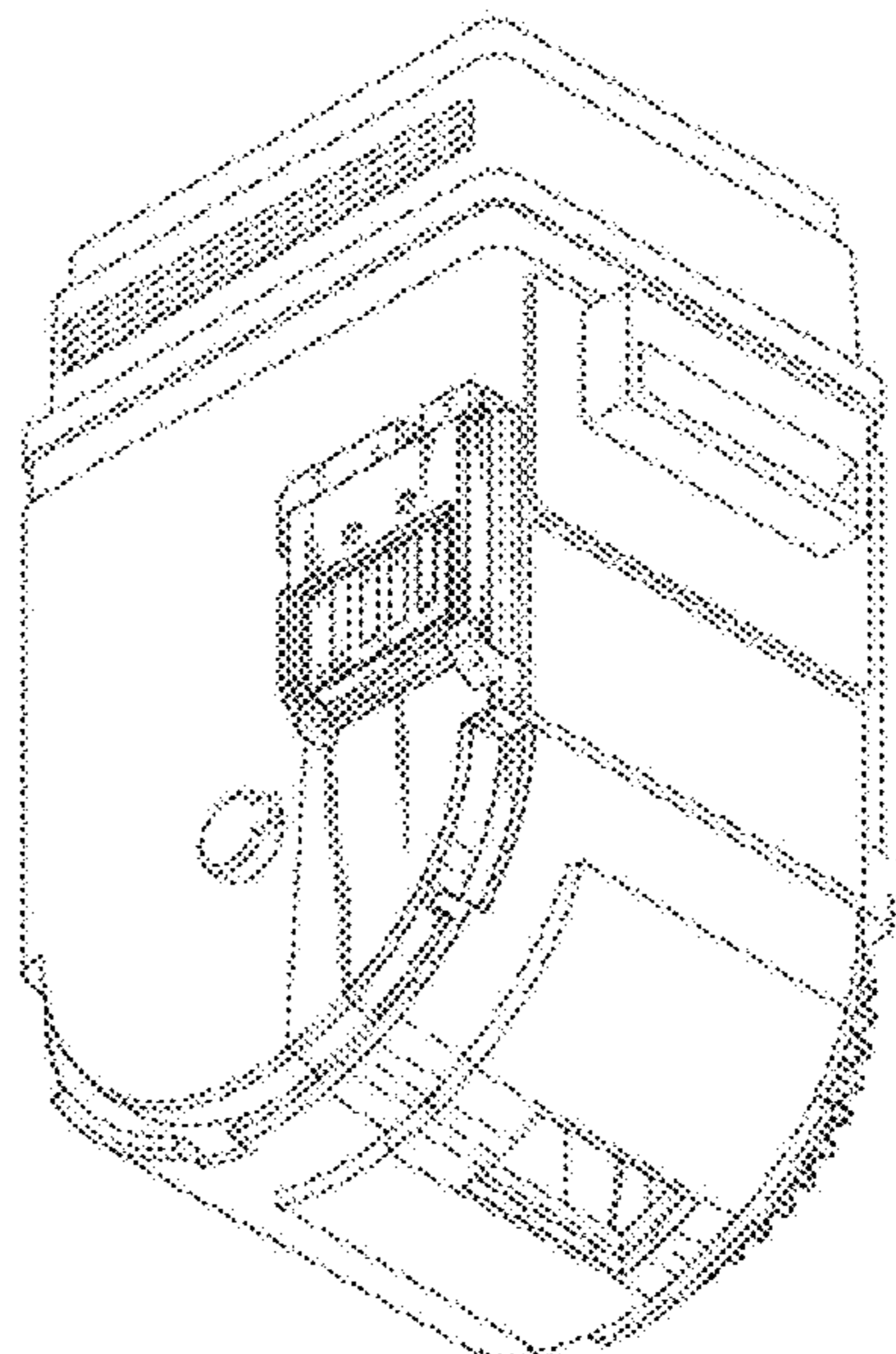
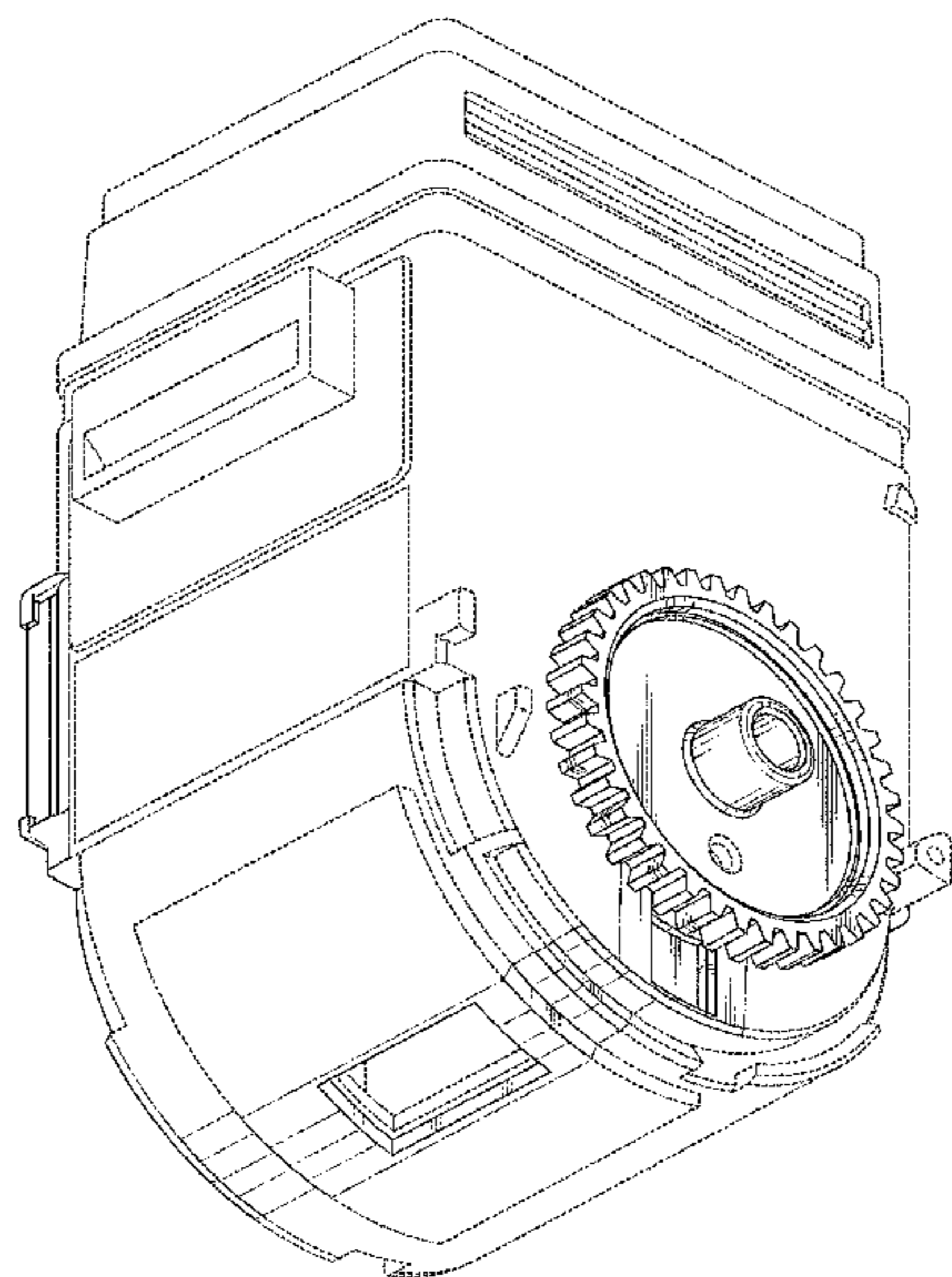


FIG. 1

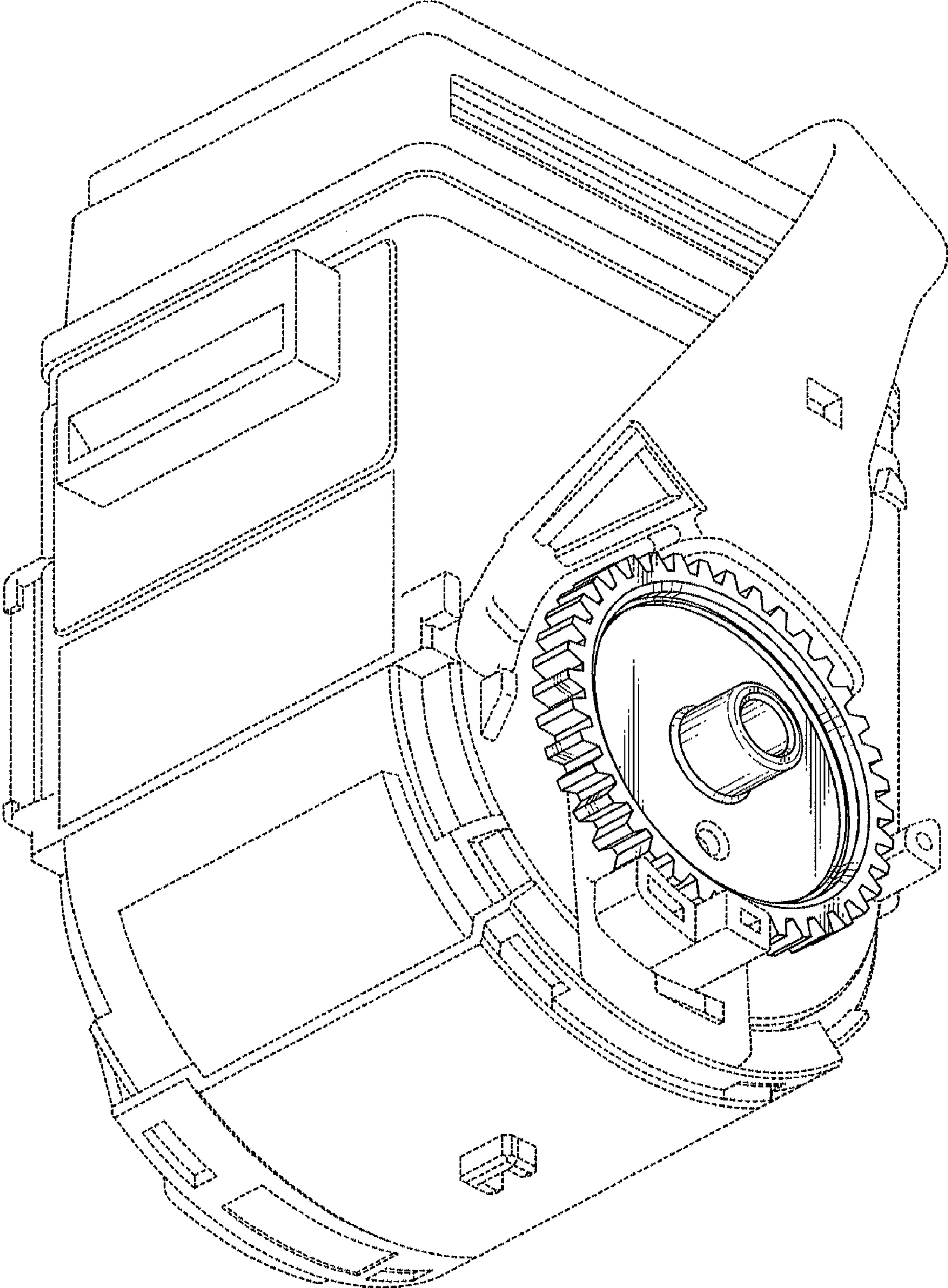


FIG.2

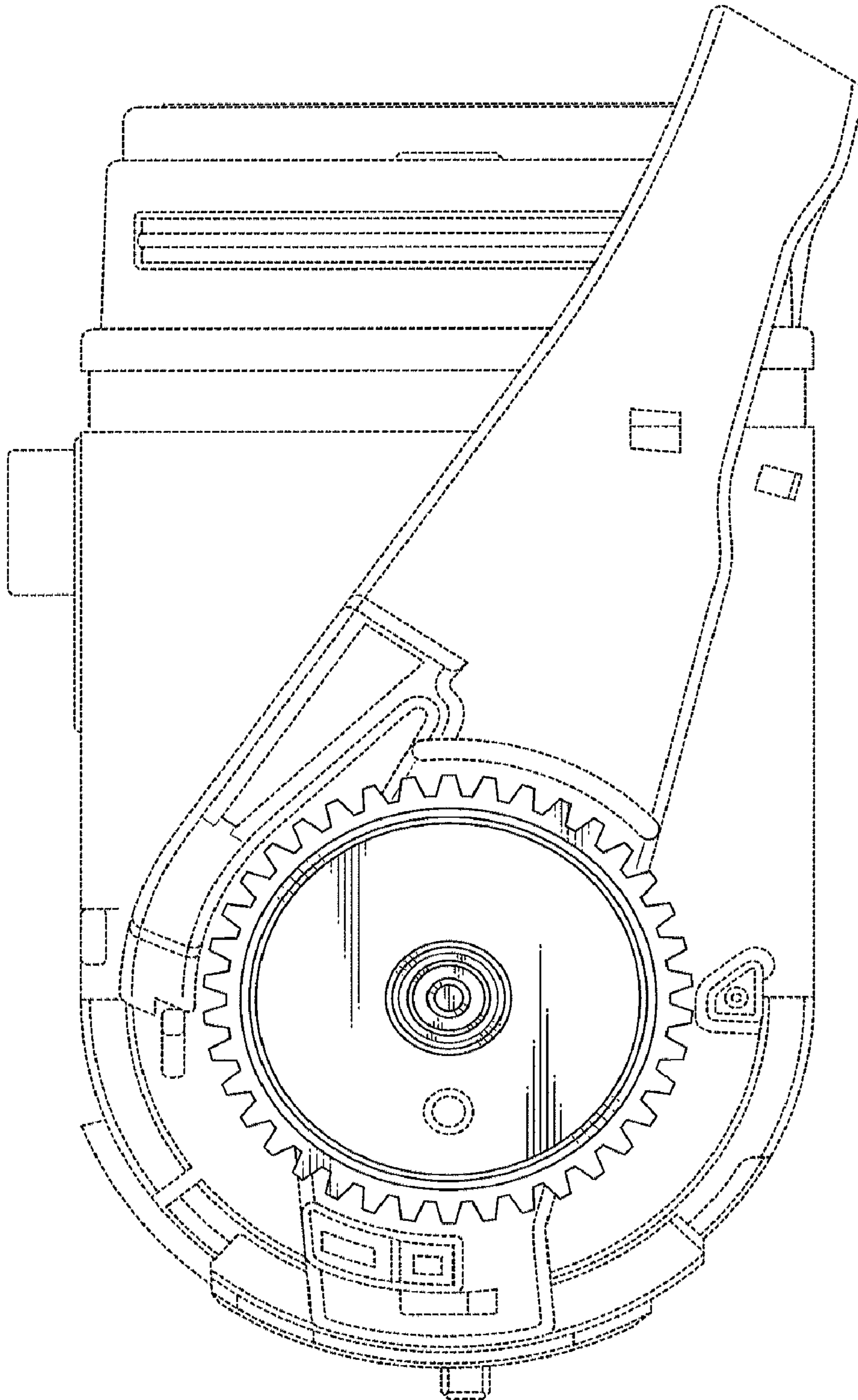


FIG. 3

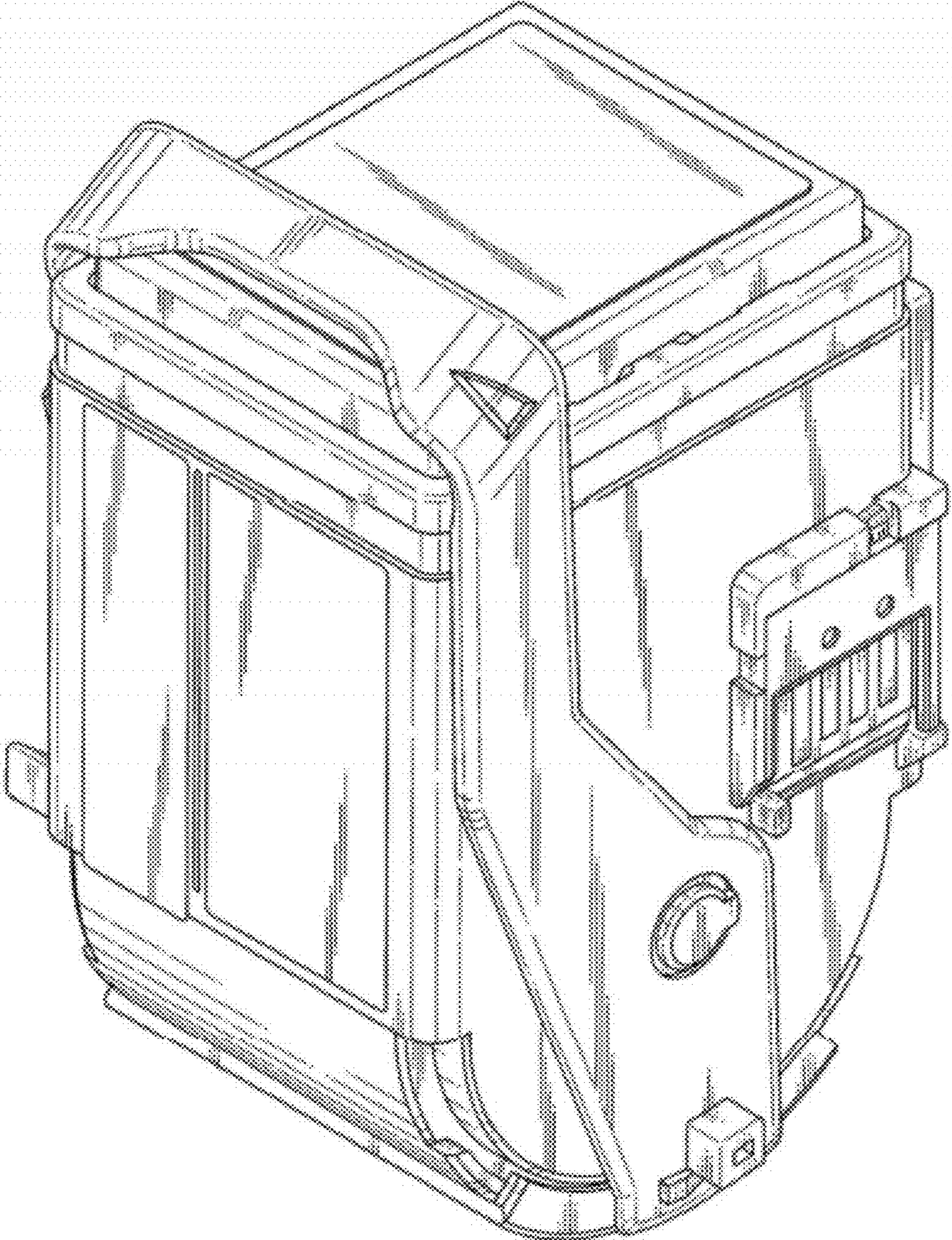


FIG. 4

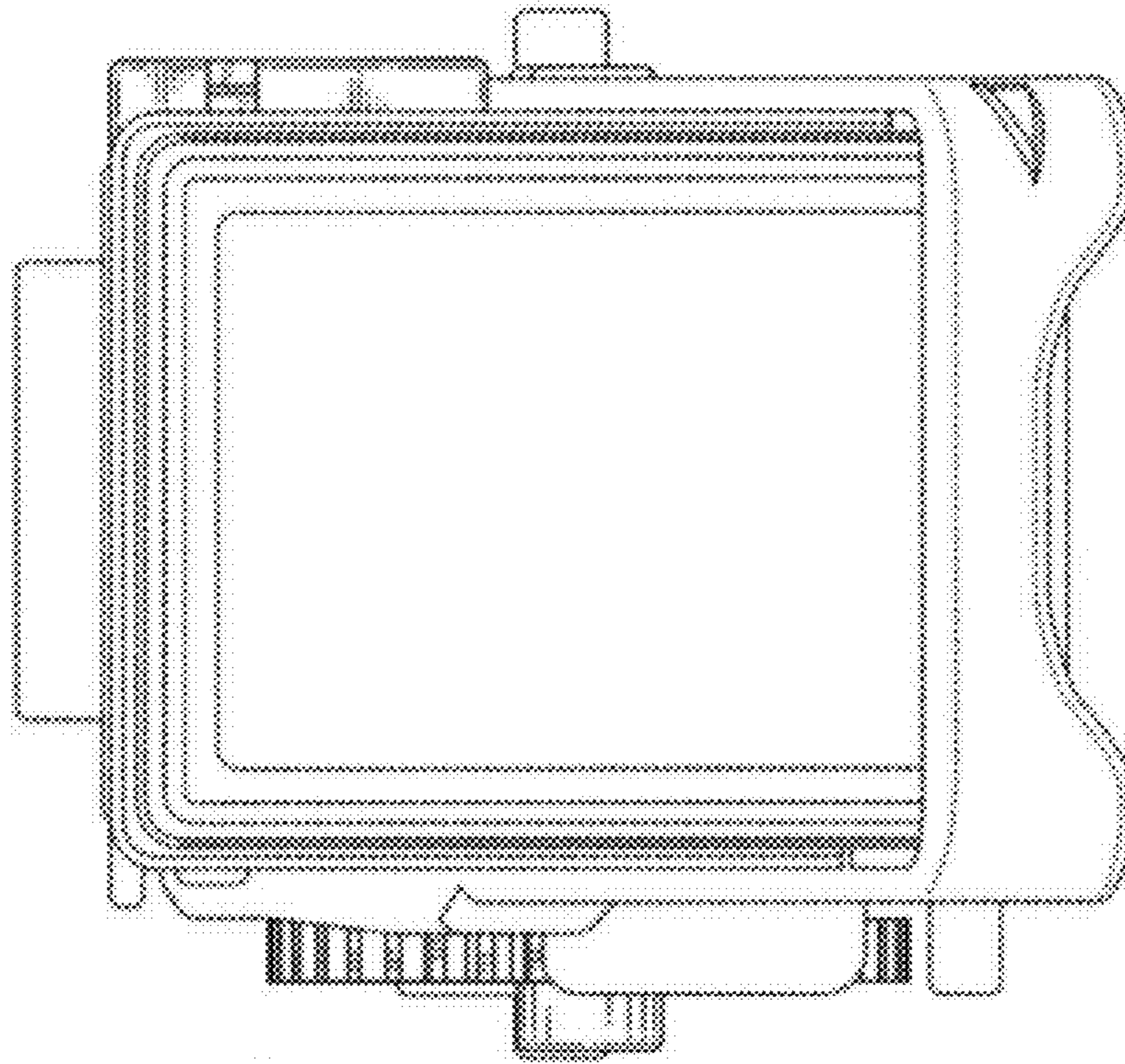


FIG. 5

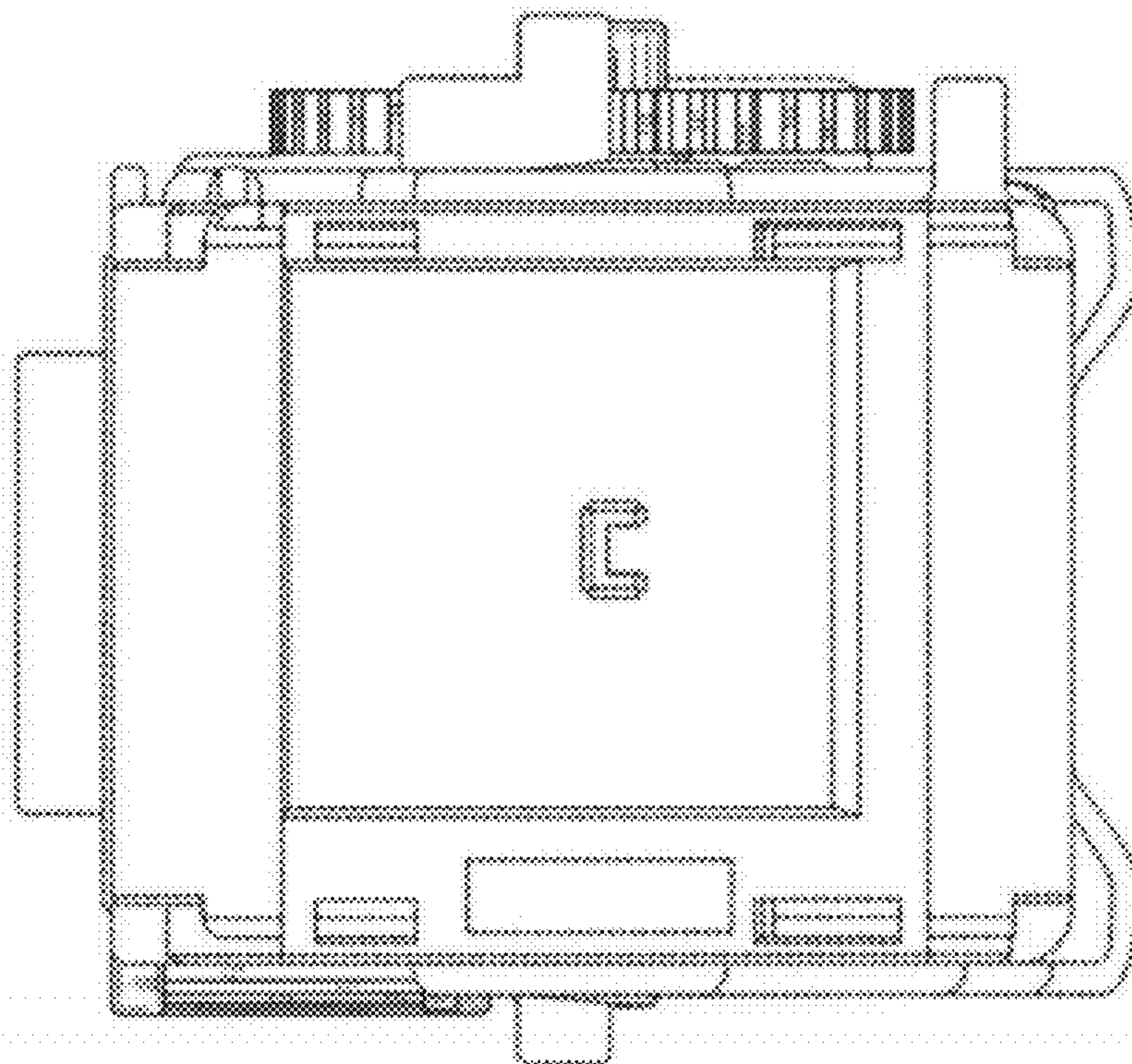


FIG. 6

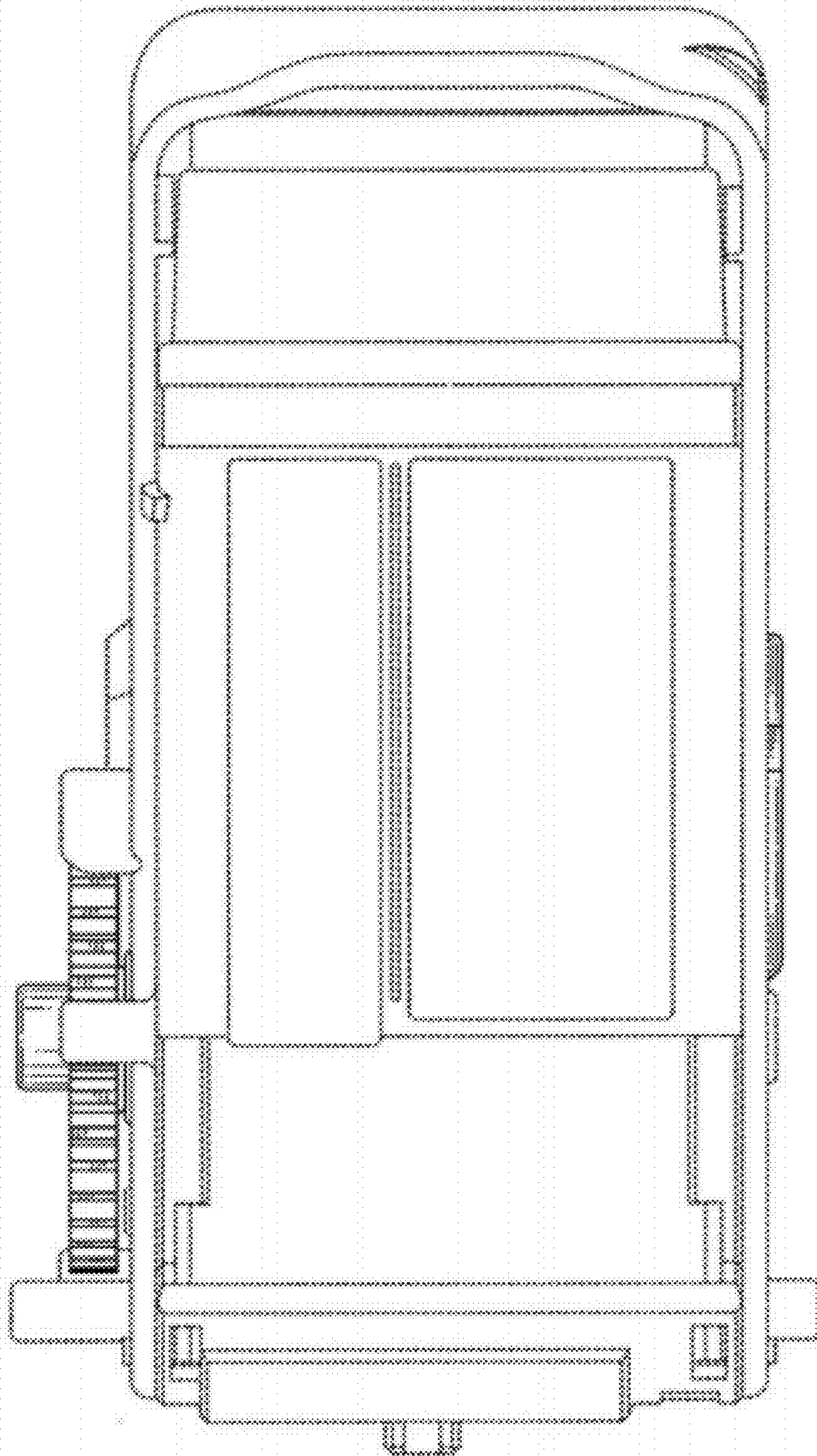


FIG. 7

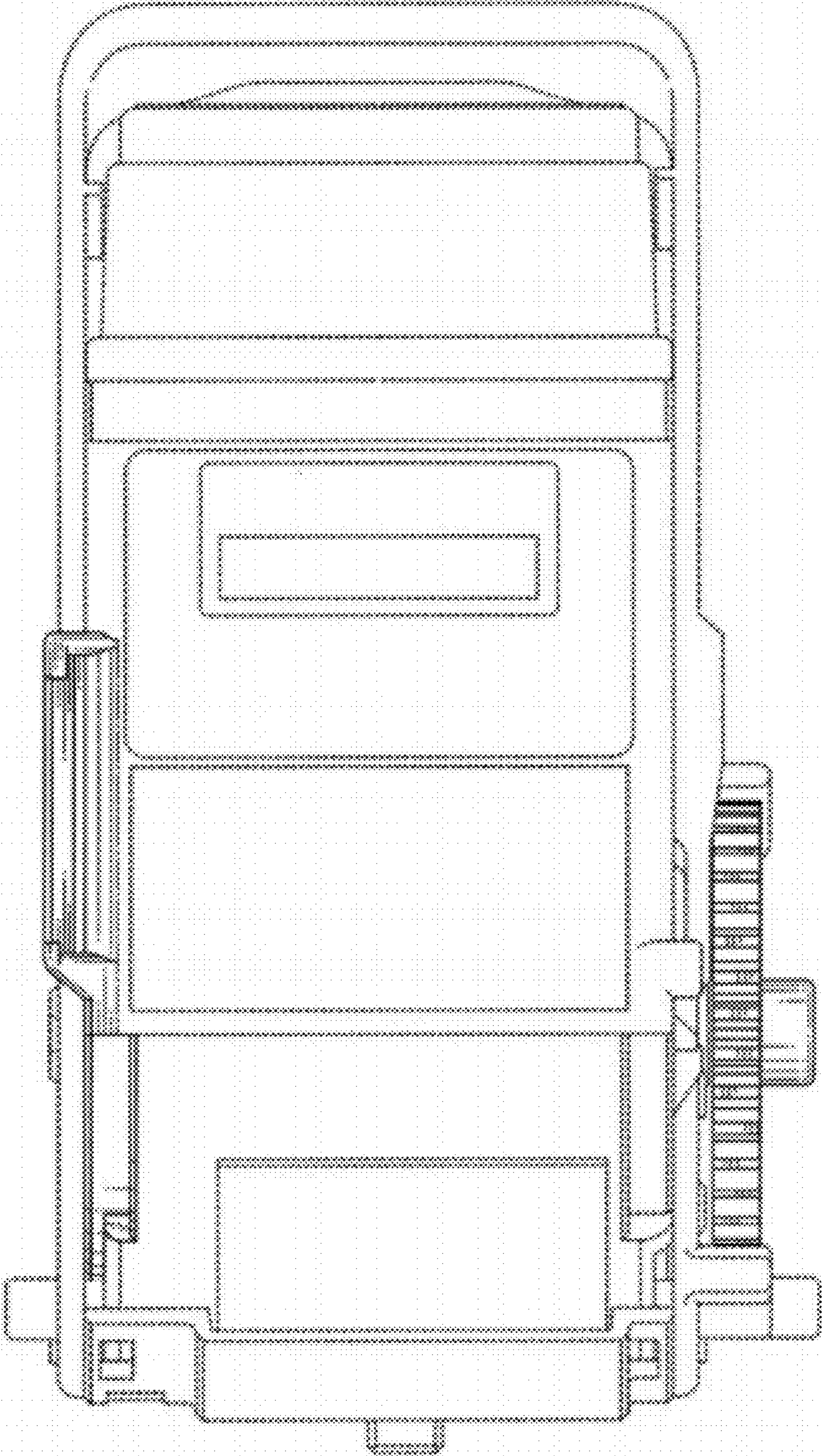


FIG.8

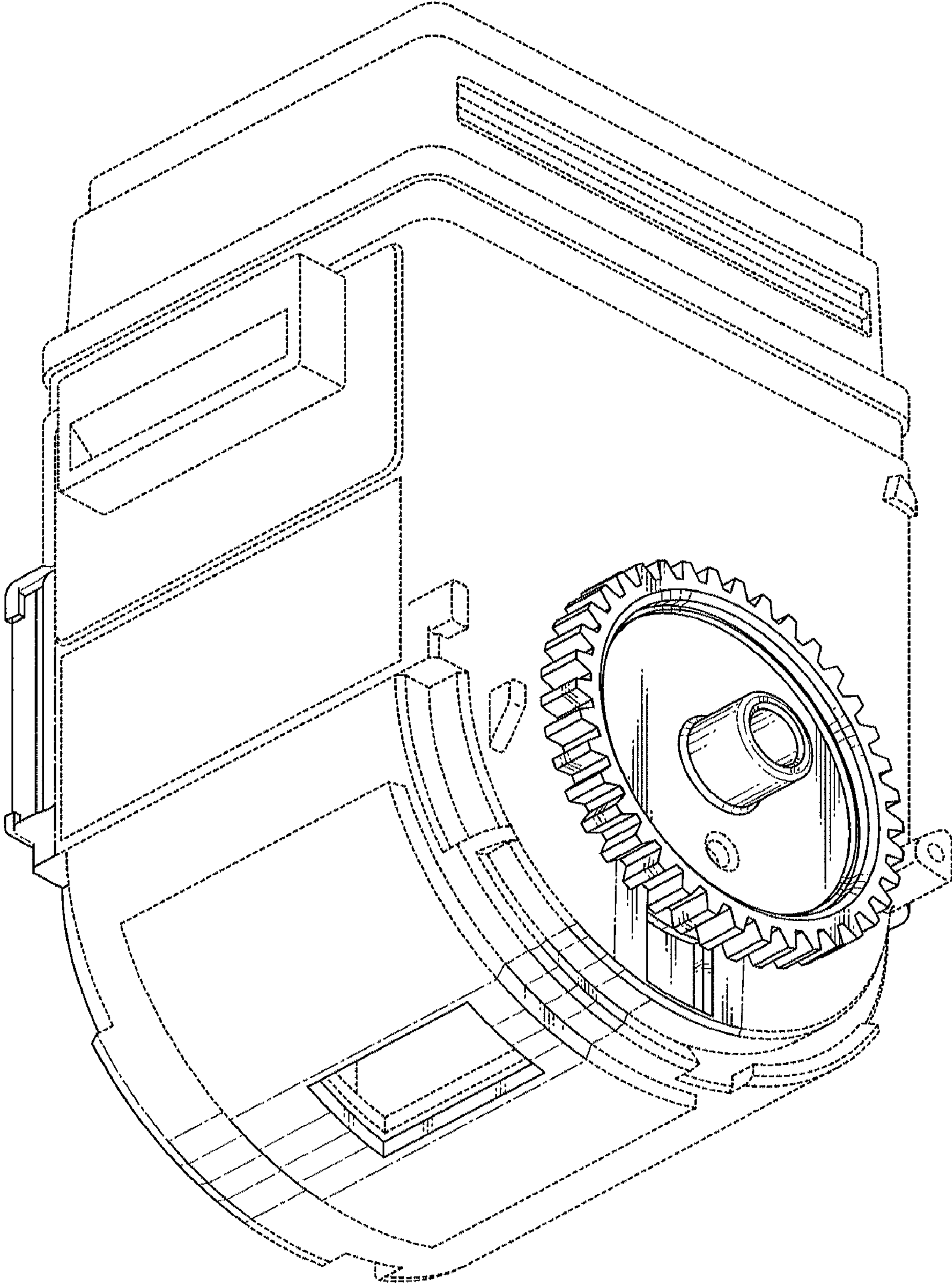


FIG. 9

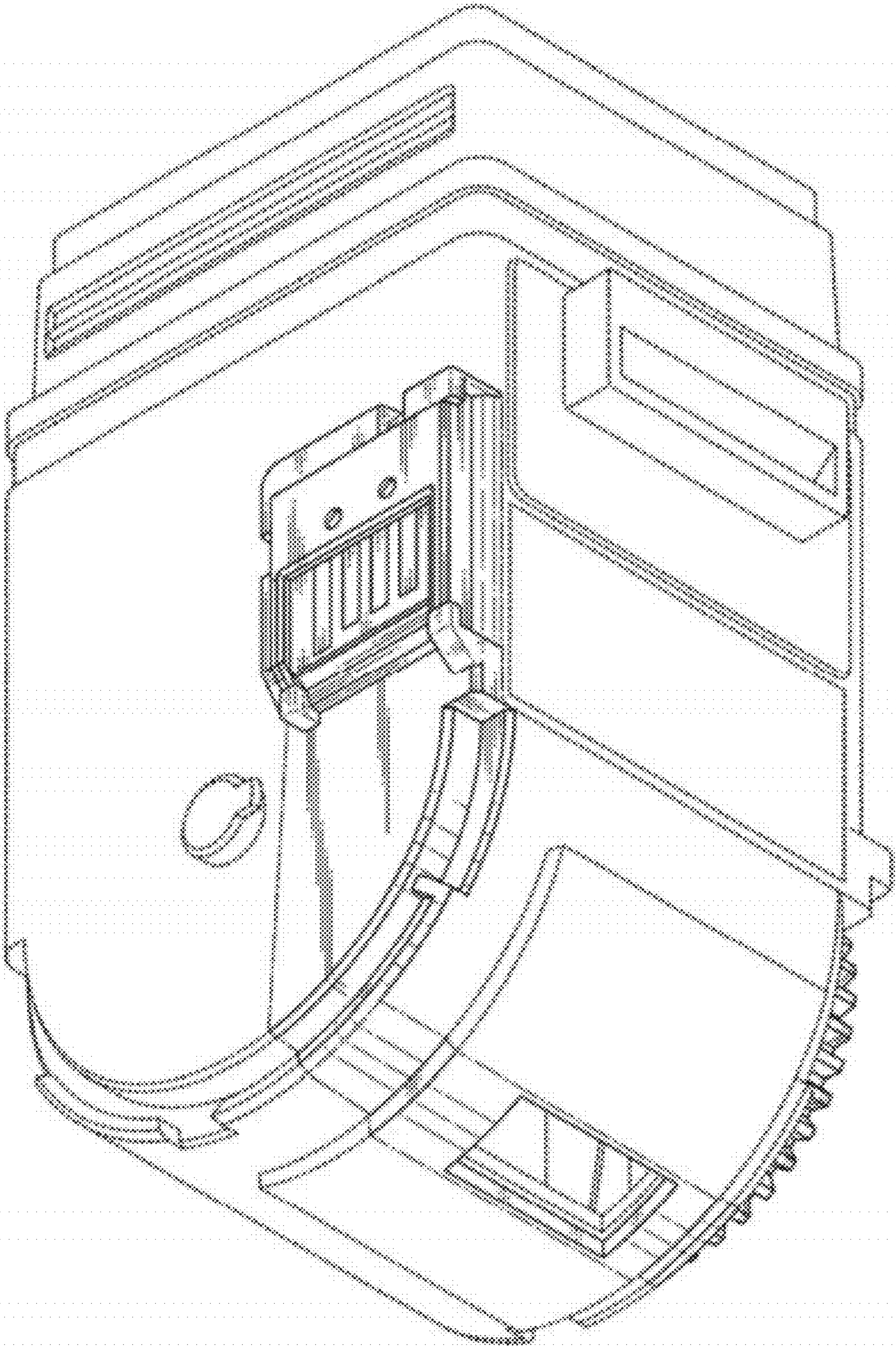


FIG. 10

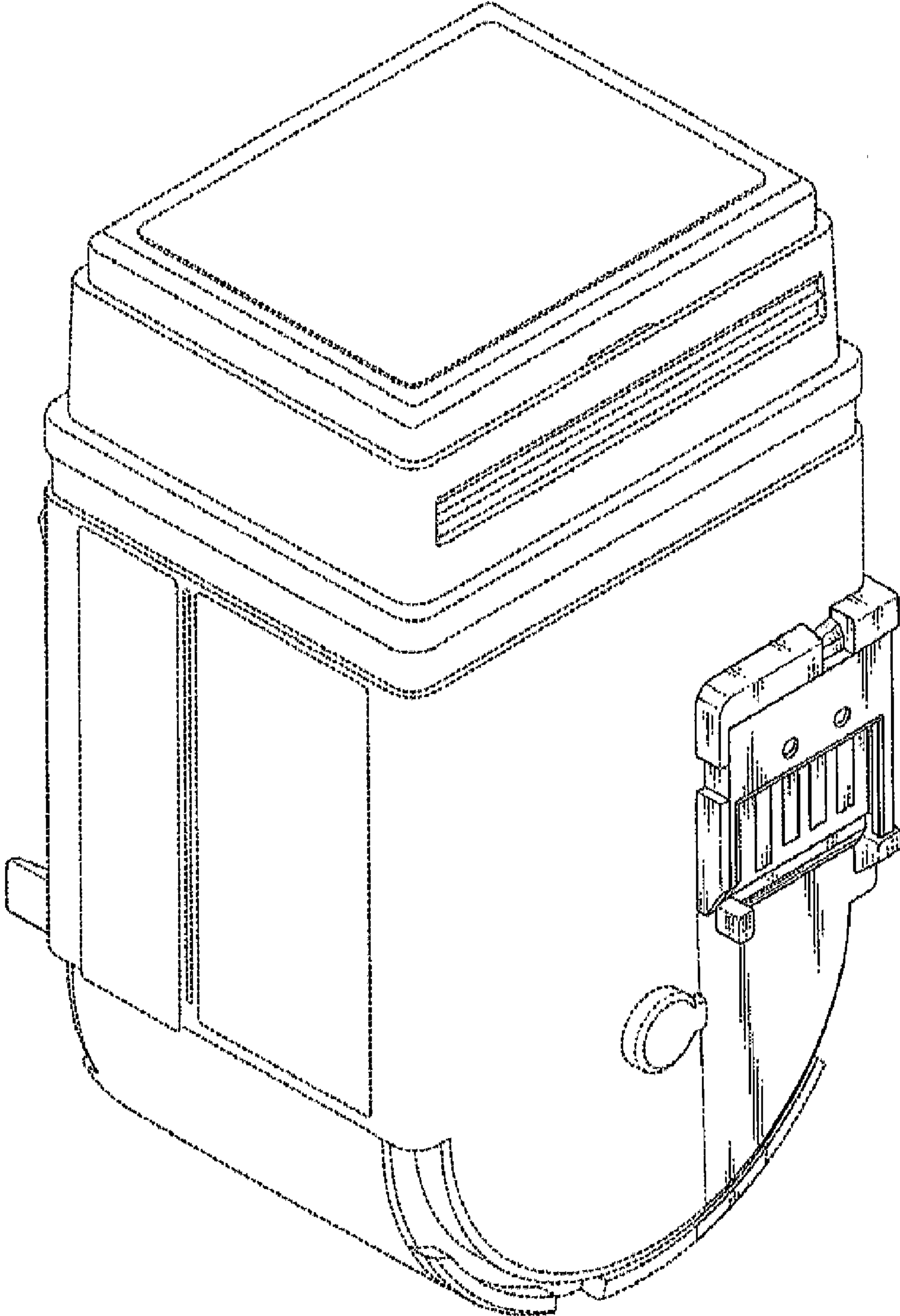


FIG.11

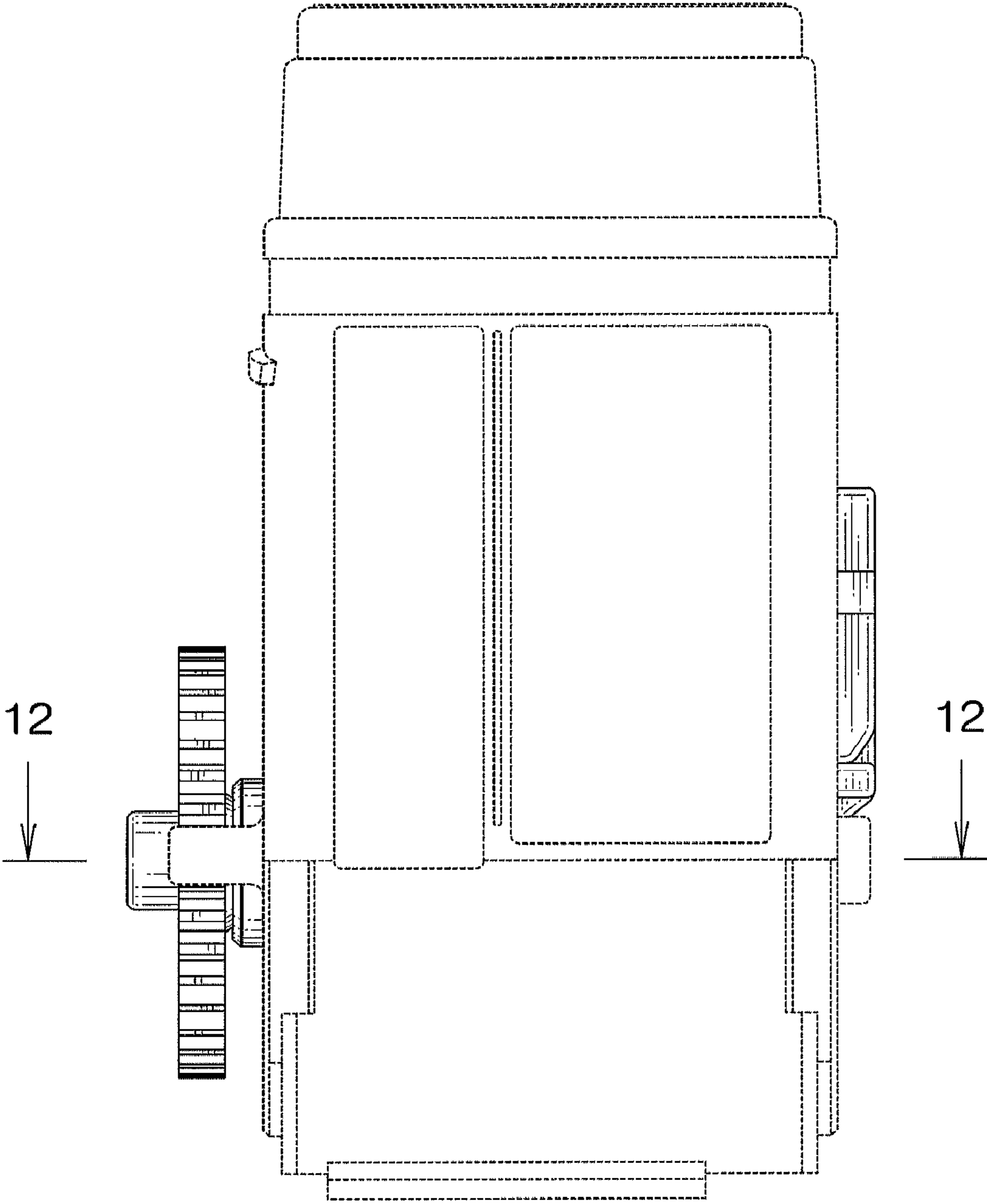


FIG. 12

