



US00D661343S

(12) **United States Design Patent**
Cox

(10) **Patent No.:** **US D661,343 S**

(45) **Date of Patent:** **** Jun. 5, 2012**

(54) **FINGER POSITION ASSISTANCE AID FOR PLAYING A KEYBOARD**

(76) Inventor: **Dianne Cox**, North Little Rock, AR (US)

(**) Term: **14 Years**

(21) Appl. No.: **29/396,365**

(22) Filed: **Jun. 29, 2011**

(51) **LOC (9) Cl.** **17-99**

(52) **U.S. Cl.** **D17/99**

(58) **Field of Classification Search** D17/9, D17/99; 84/453, 465, 467, 468, 470 R; D21/684
See application file for complete search history.

D362,701 S * 9/1995 Reilly D21/683
D382,800 S * 8/1997 Dederling D9/434
6,279,163 B1 * 8/2001 Hale et al. 2/160
D609,268 S * 2/2010 Russell et al. D17/9
7,740,561 B2 * 6/2010 Kupferman 482/47

FOREIGN PATENT DOCUMENTS

FR 2564948 A1 * 11/1985

* cited by examiner

Primary Examiner — Rashida Johnson

(57) **CLAIM**

The ornamental design for a finger position assistance aid for playing a keyboard, as shown and described.

DESCRIPTION

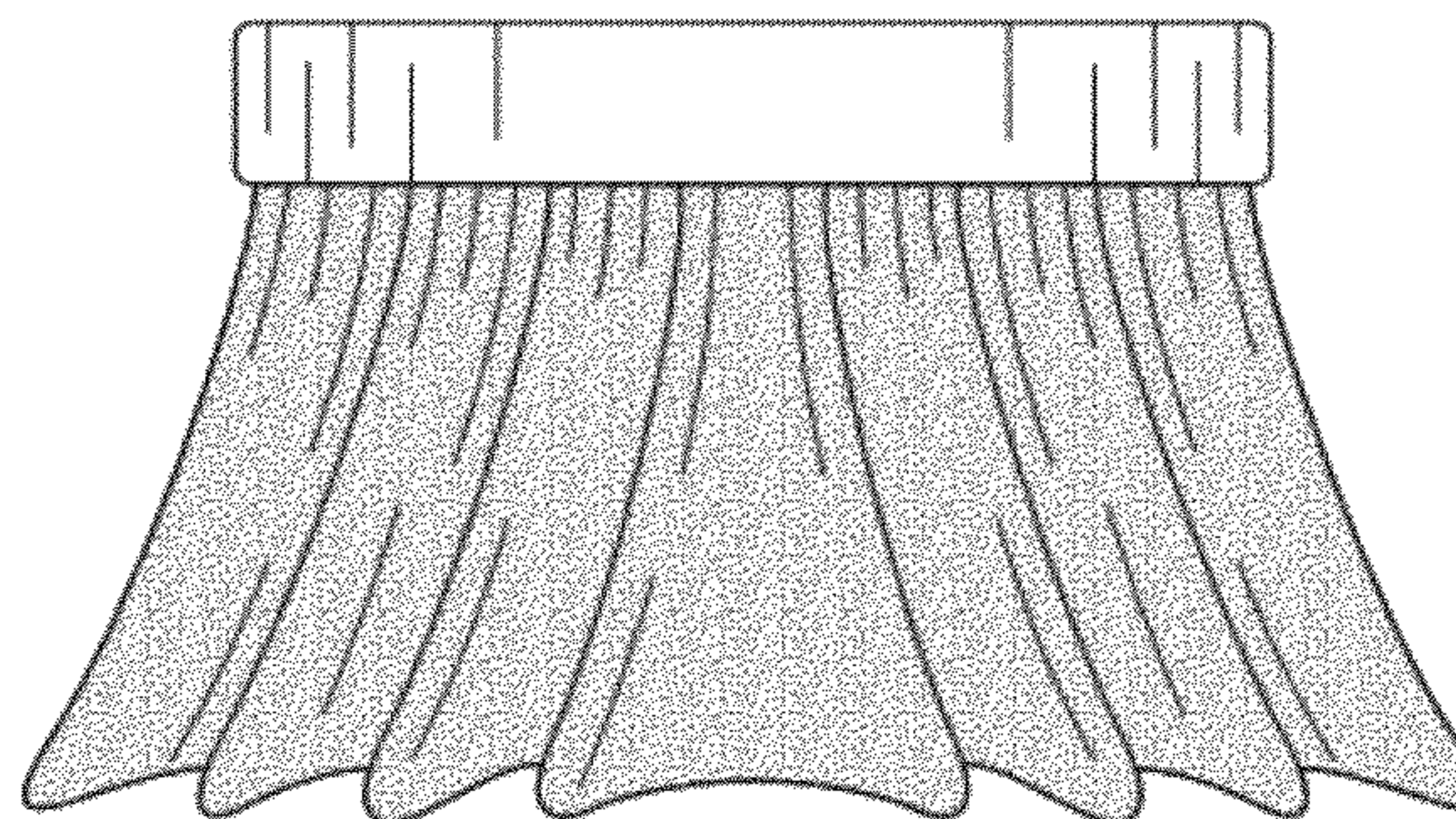
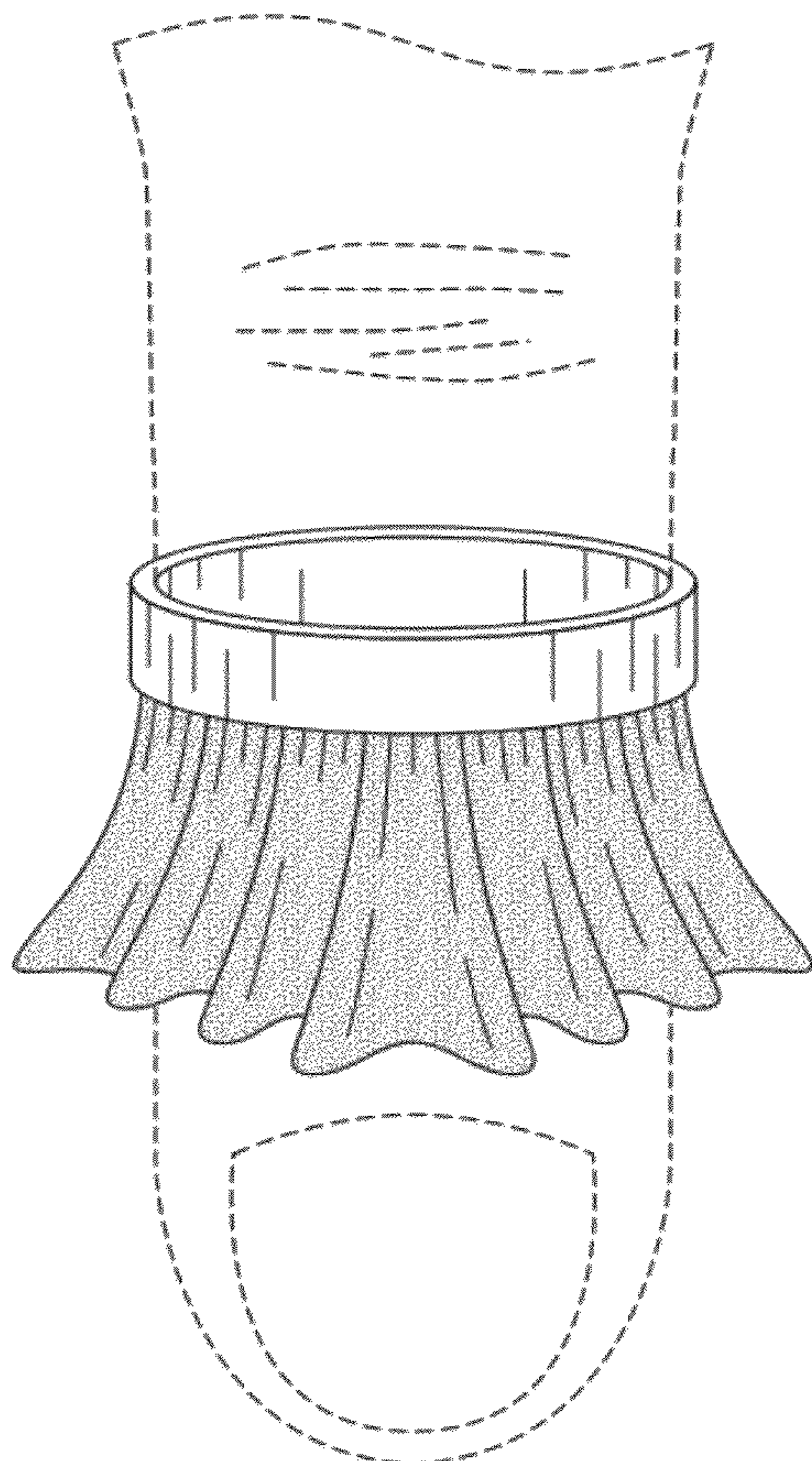
FIG. 1 is a front perspective view of the present invention; FIG. 2 is a side view of the present; FIG. 3 is a top view of the present invention; and, FIG. 4 is a bottom view of the present invention. The broken lines in FIG. 1 showing portions of the human form illustrate the design in use and form no part of the claimed design.

1 Claim, 2 Drawing Sheets

(56) **References Cited**

U.S. PATENT DOCUMENTS

19,814 A * 3/1858 Monestier 482/48
1,126,938 A * 2/1915 Barrett 84/468
1,256,004 A * 2/1918 Finney 482/48
2,108,236 A * 2/1938 Scott 482/48
2,222,180 A * 11/1940 Marsh 84/468
2,277,492 A * 3/1942 Kamhi 2/221
3,408,661 A * 11/1968 Hammond 4/420
4,204,455 A * 5/1980 Harrington 84/468



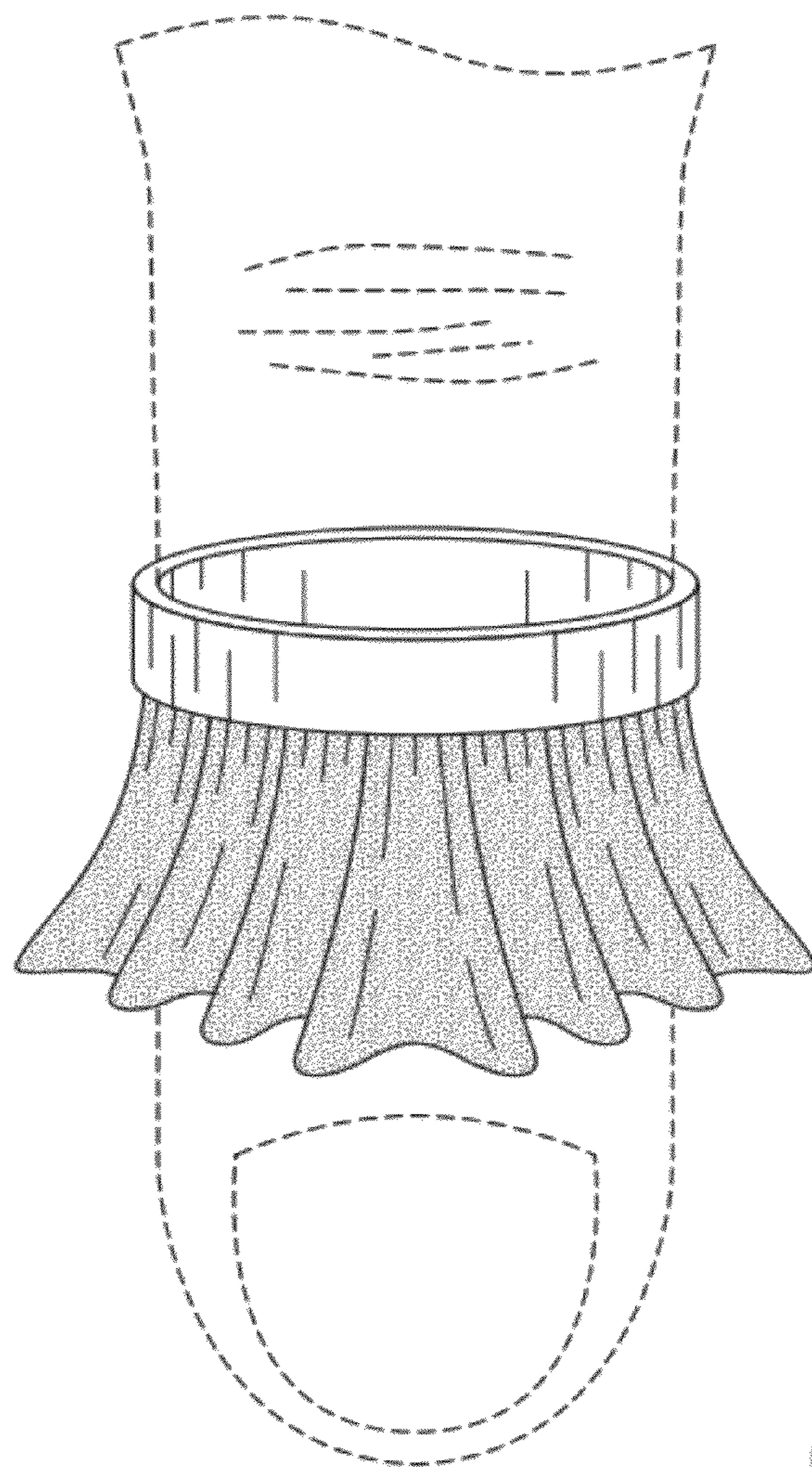


FIG. 1

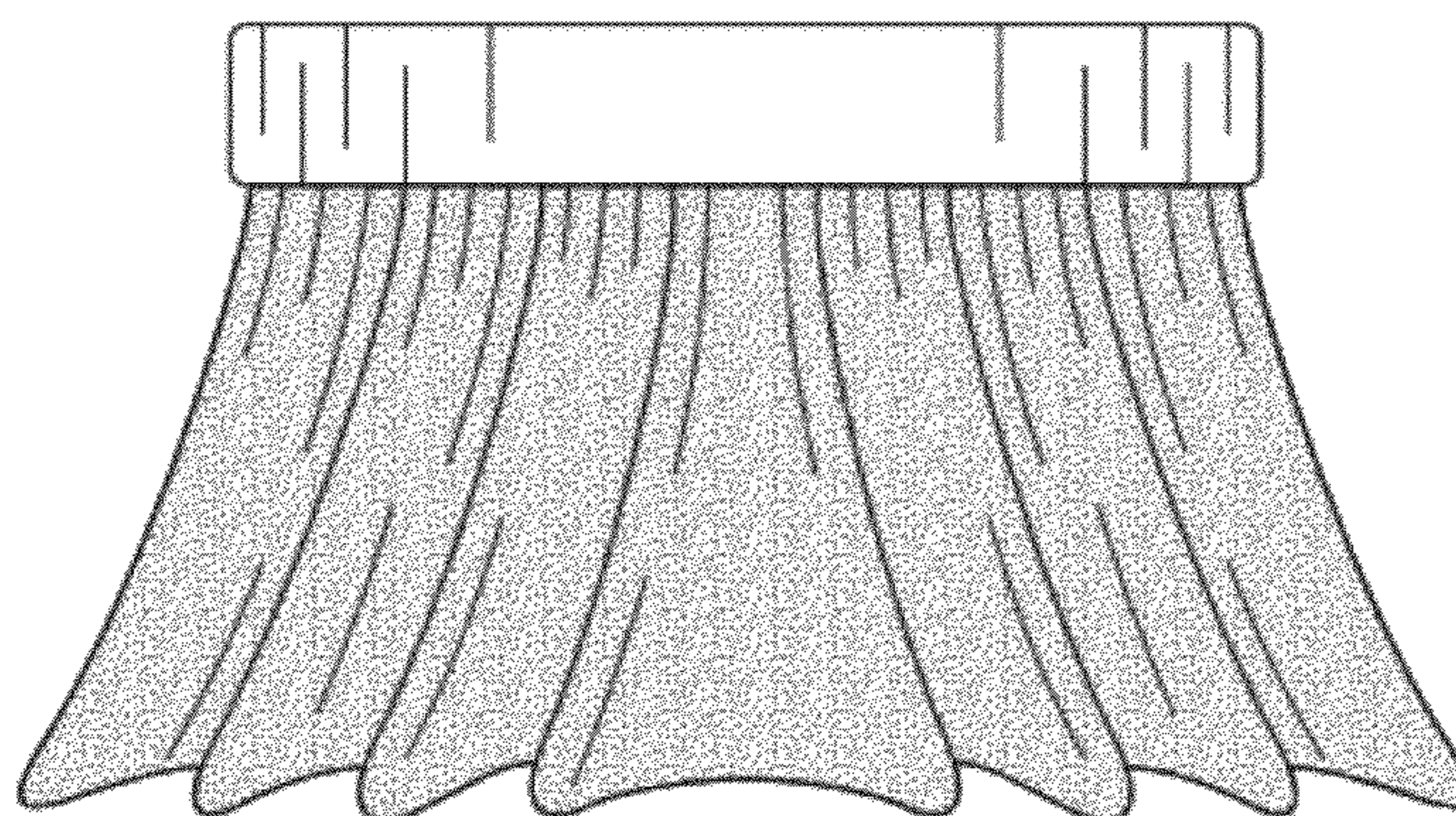


FIG. 2

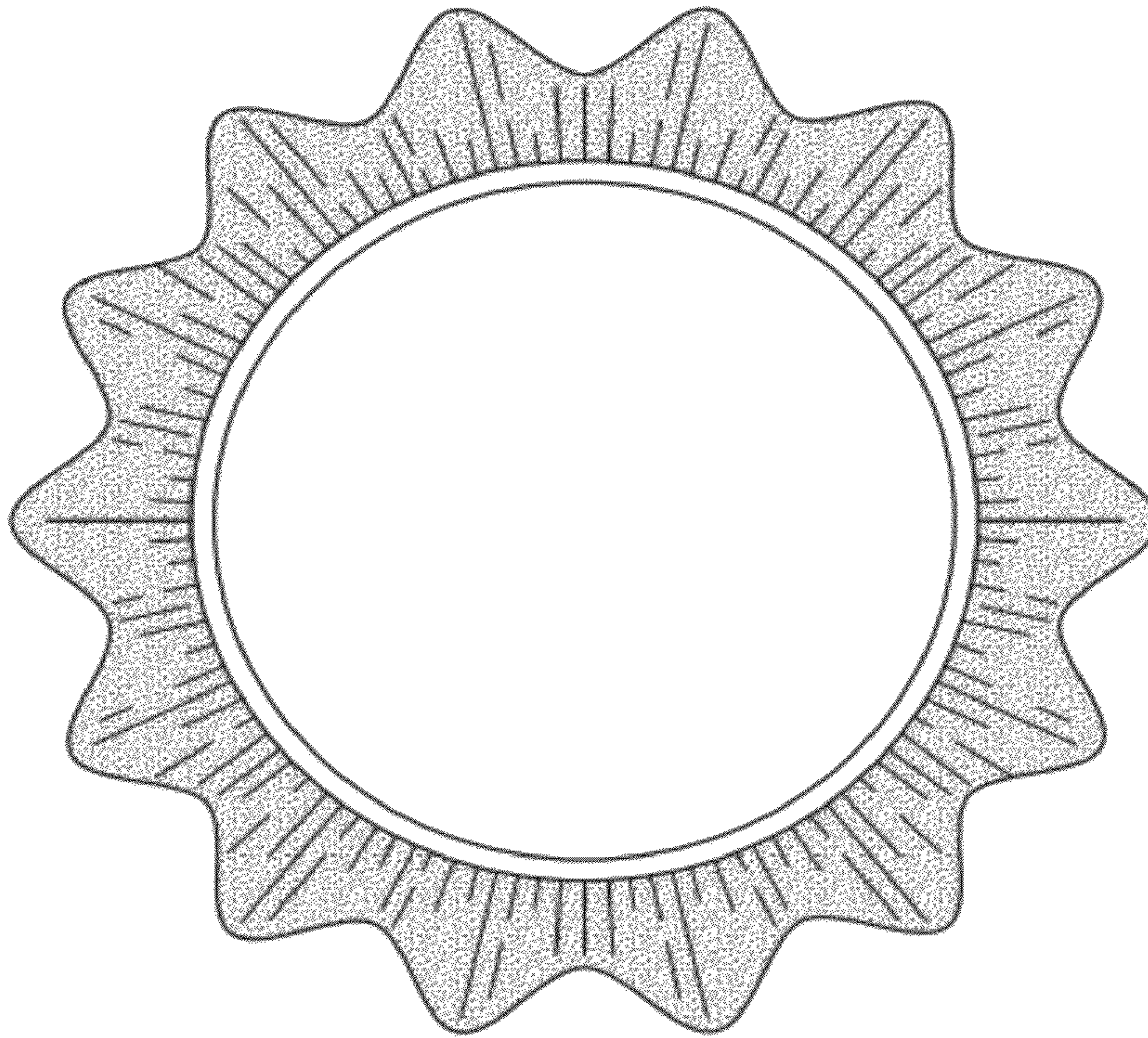


FIG. 3

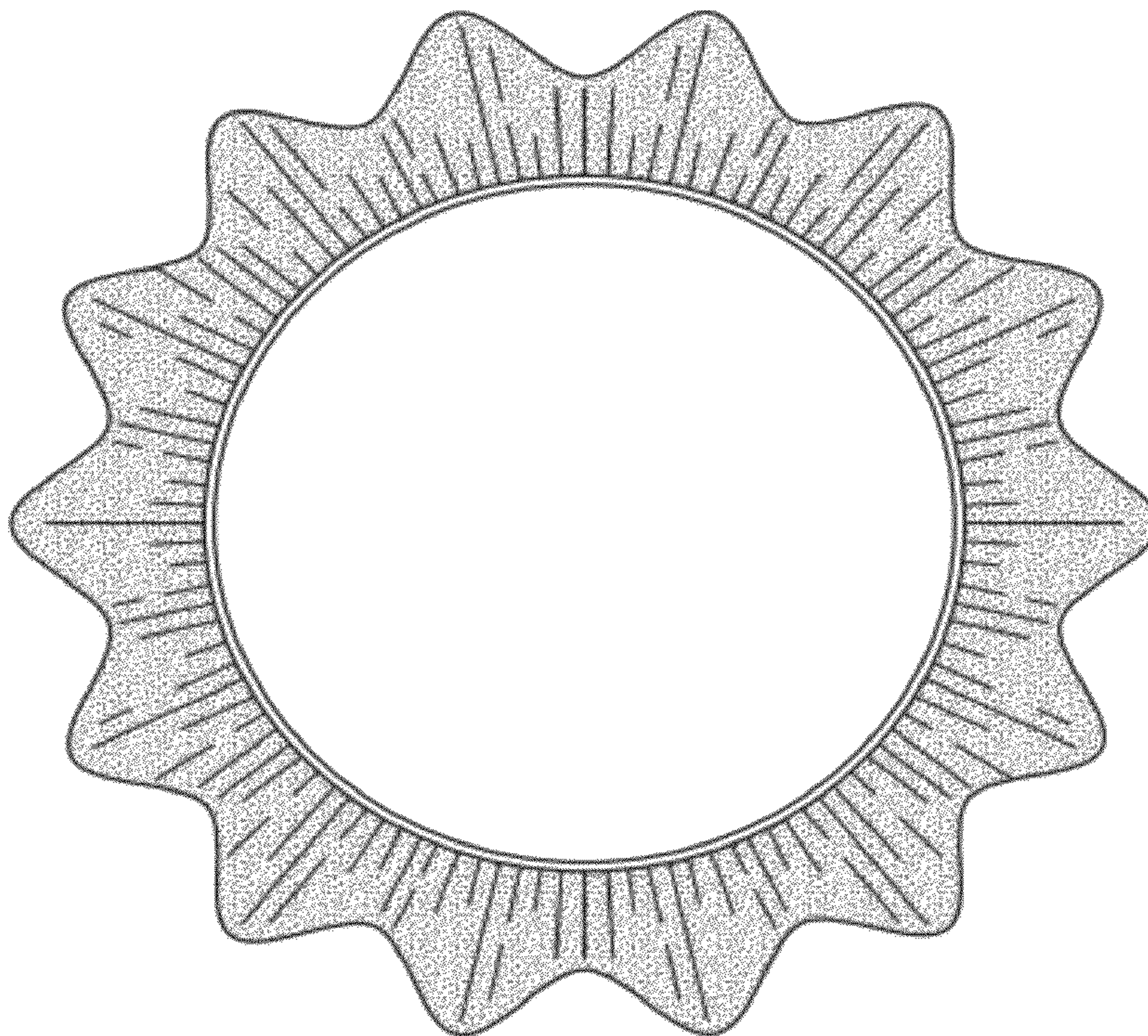


FIG. 4