



US00D661342S

(12) **United States Design Patent**
Ridinger

(10) **Patent No.:** **US D661,342 S**

(45) **Date of Patent:** **** Jun. 5, 2012**

(54) **TUNER FOR MUSICAL INSTRUMENT**

(75) Inventor: **Steve Ridinger**, Camarillo, CA (US)

(73) Assignee: **Evets Corporation**, Camarillo, CA (US)

(**) Term: **14 Years**

(21) Appl. No.: **29/360,079**

(22) Filed: **Apr. 20, 2010**

(51) **LOC (9) Cl.** **17-99**

(52) **U.S. Cl.** **D17/99**

(58) **Field of Classification Search** D17/99,
D17/20, 21; 84/200, 312 R, 312 P, 454, 455,
84/DIG. 18, 485

See application file for complete search history.

(56) **References Cited**

U.S. PATENT DOCUMENTS

D290,371	S	*	6/1987	Slayer et al.	D17/99
D375,115	S	*	10/1996	Kawada	D17/99
D402,684	S	*	12/1998	Wilson et al.	D17/99
5,990,403	A	*	11/1999	Membreno et al.	84/454
D426,226	S	*	6/2000	Ridinger	D14/188
D487,905	S	*	3/2004	Nelson et al.	D17/99
6,965,067	B2	*	11/2005	Kondo	84/455
7,265,282	B2	*	9/2007	Membreno et al.	84/453
D564,013	S	*	3/2008	Patton et al.	D17/99
D573,173	S	*	7/2008	Jackson	D17/20
D604,760	S	*	11/2009	Small	D17/20

D629,837	S	*	12/2010	Ishihara et al.	D17/20
7,968,778	B2	*	6/2011	D'Addario et al.	84/312 R
2005/0087060	A1	*	4/2005	Taku et al.	84/455

* cited by examiner

Primary Examiner — Ian Simmons

Assistant Examiner — Carissa C Fitts

(74) *Attorney, Agent, or Firm* — Joseph T. Leone, Esq.;
DeWitt Ross & Stevens S.C.

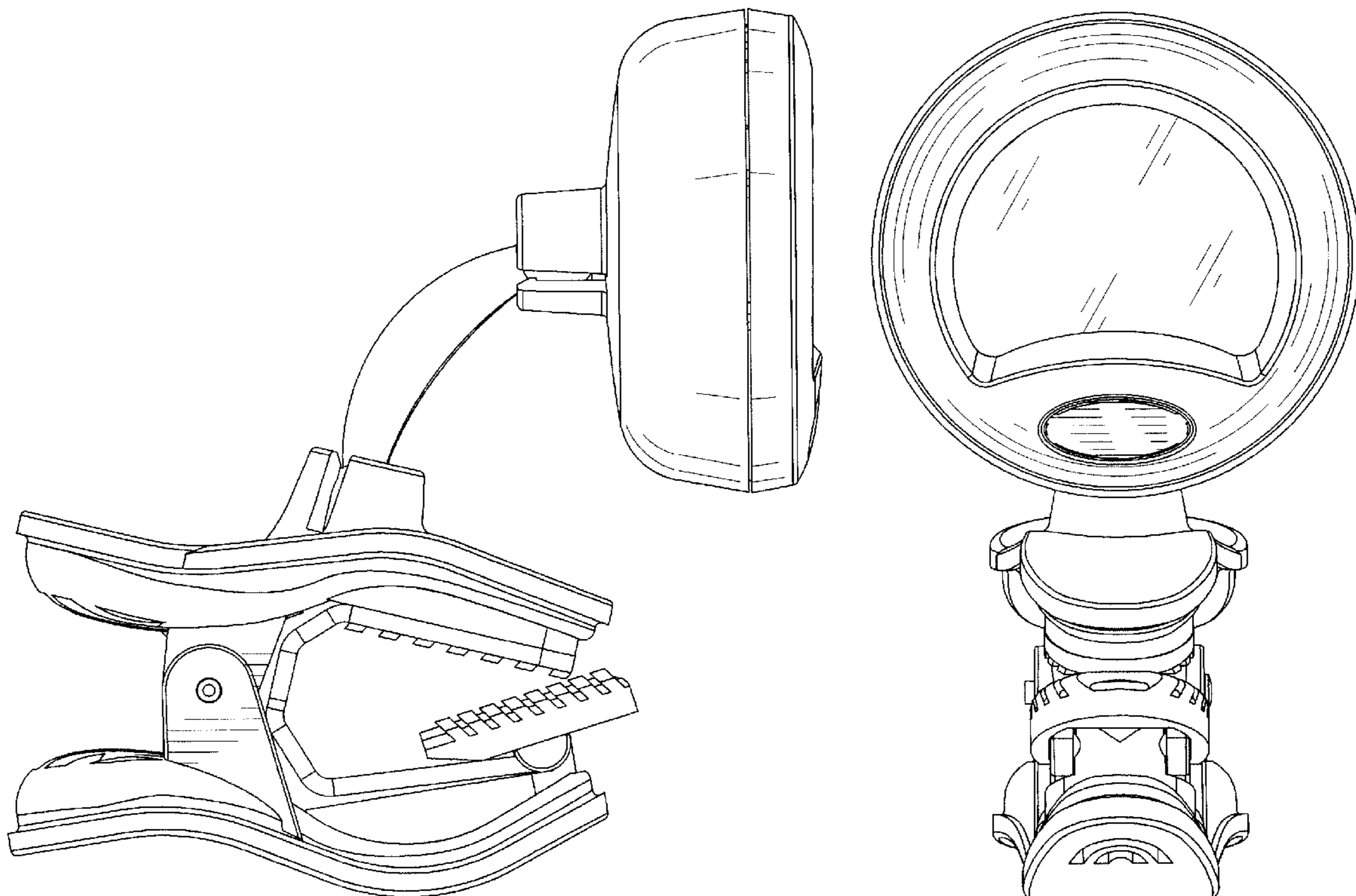
(57) **CLAIM**

I claim the ornamental design for a tuner for musical instrument, as shown and described.

DESCRIPTION

FIG. 1 is left elevation view of a head portion of the tuner for musical instrument;
 FIG. 2 is a front elevation view thereof;
 FIG. 3 is a right elevation view thereof;
 FIG. 4 is a rear elevation view thereof;
 FIG. 5 is a top plan view thereof; and
 FIG. 6 is a bottom plan view thereof.
 FIG. 7 is a left elevation view of the tuner for musical instrument, showing my new design;
 FIG. 8 is a front elevation view thereof;
 FIG. 9 is a left elevation view thereof;
 FIG. 10 is a rear elevation view thereof;
 FIG. 11 is a bottom plan view thereof; and,
 FIG. 12 is a top plan view thereof.

1 Claim, 12 Drawing Sheets



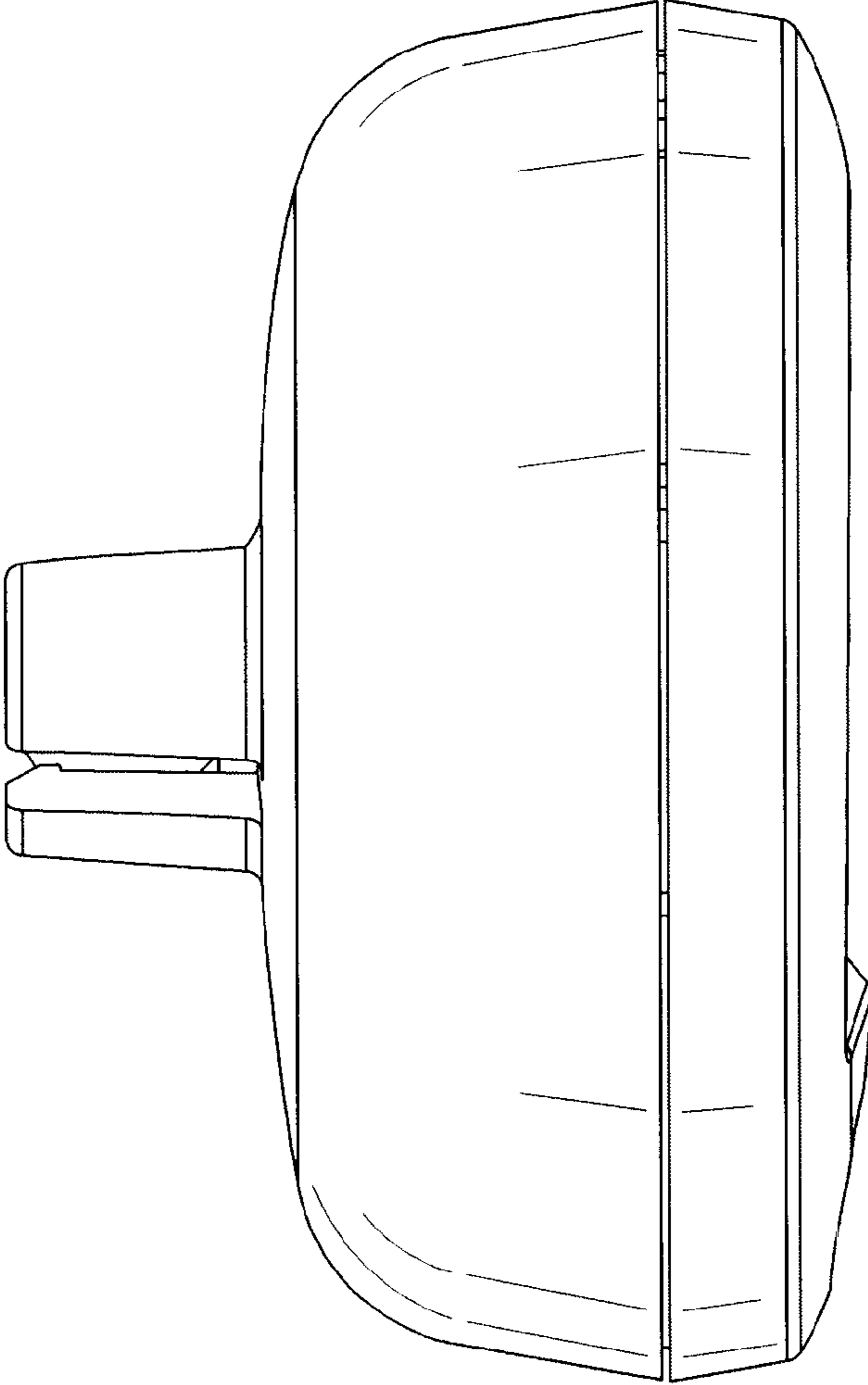


FIG. 1

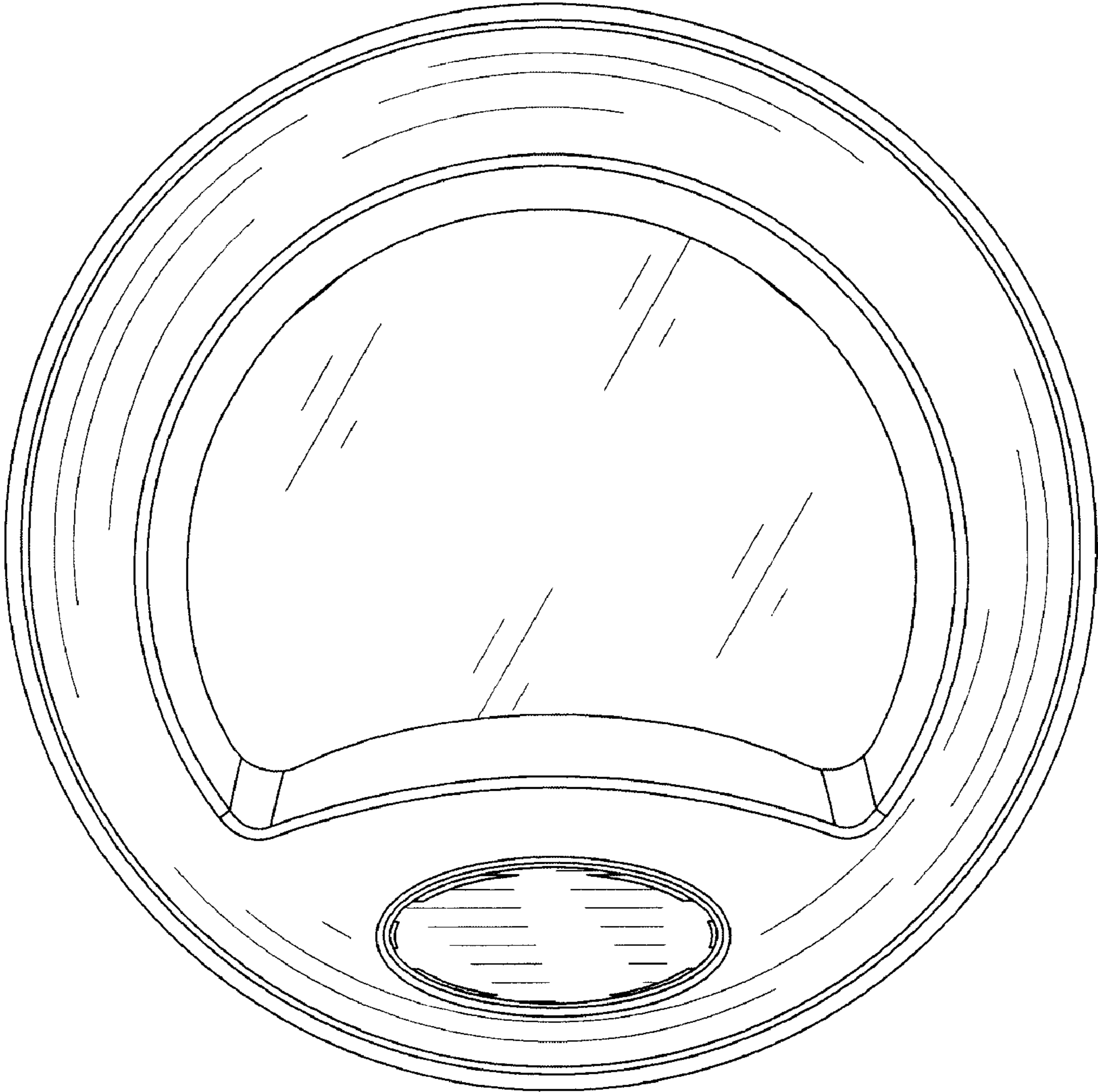


FIG. 2



FIG. 3

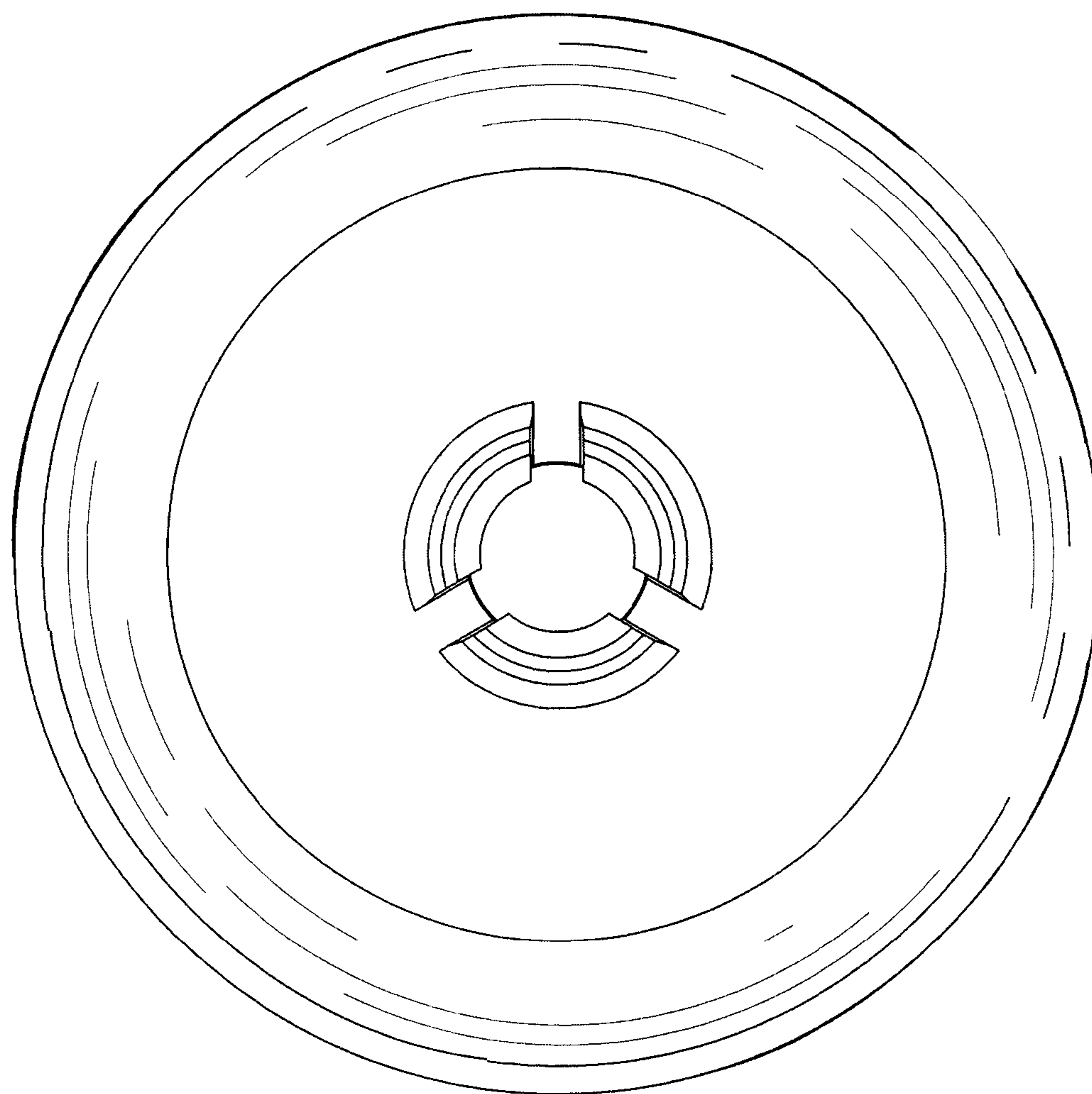


FIG. 4

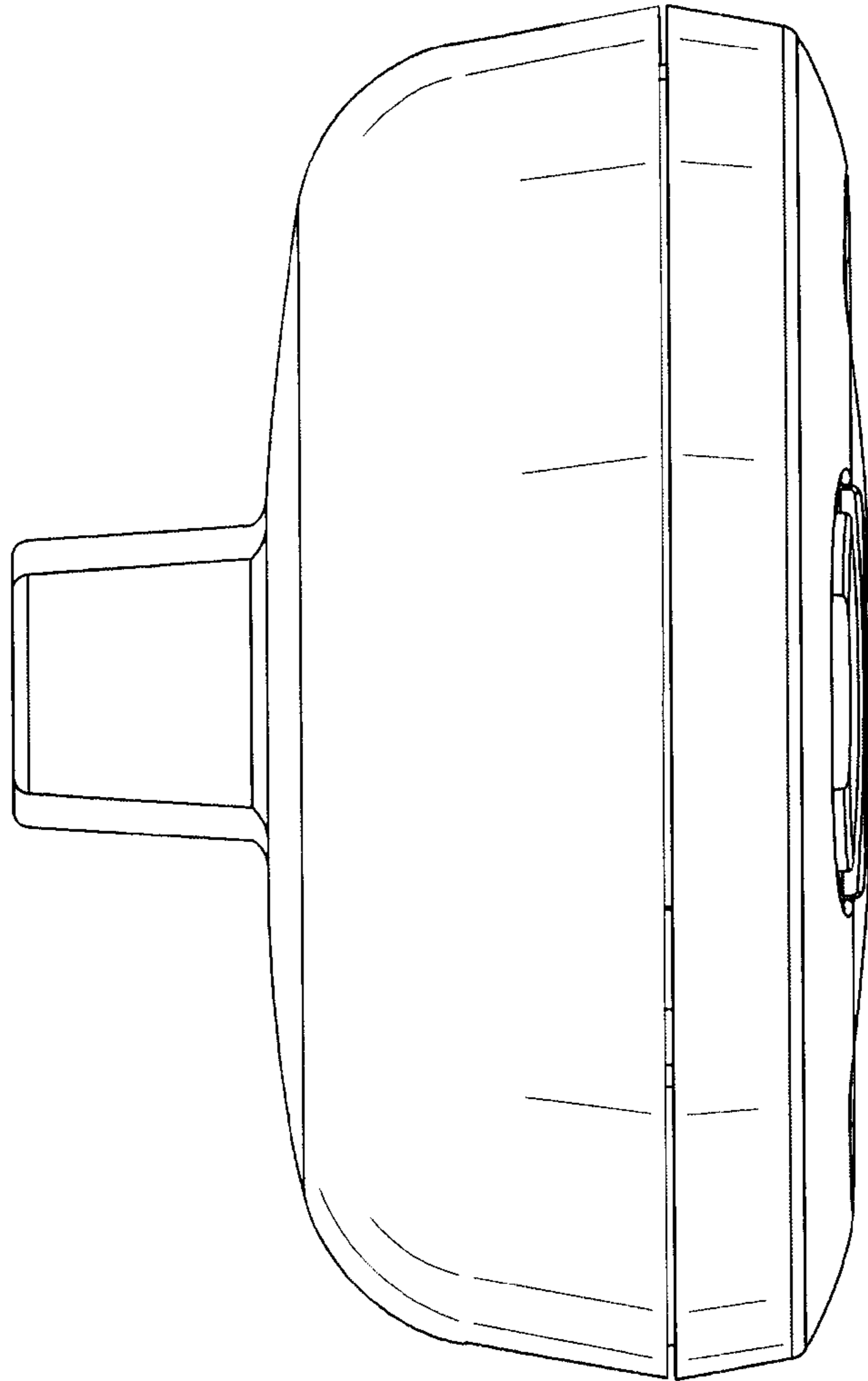


FIG. 5

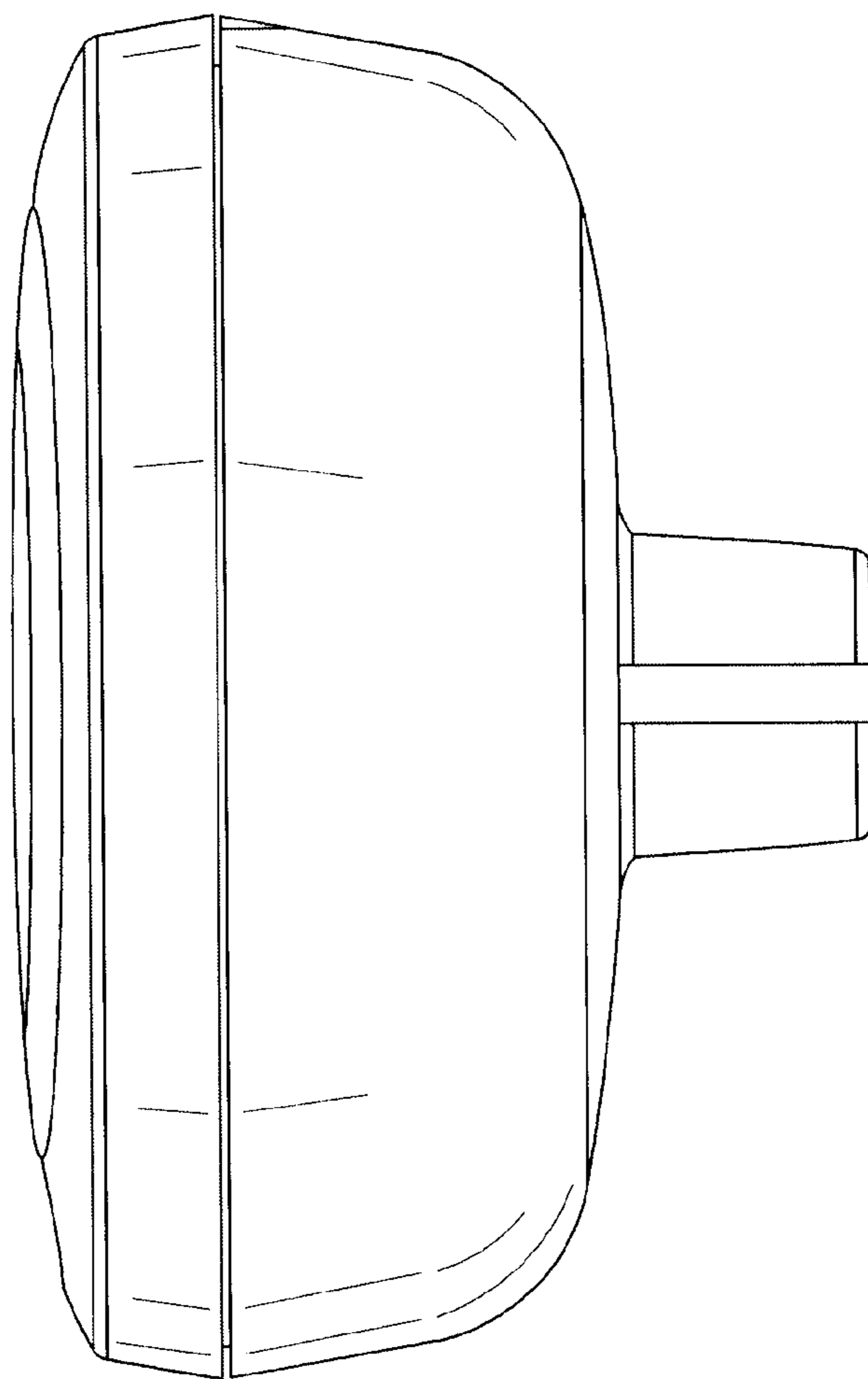


FIG. 6

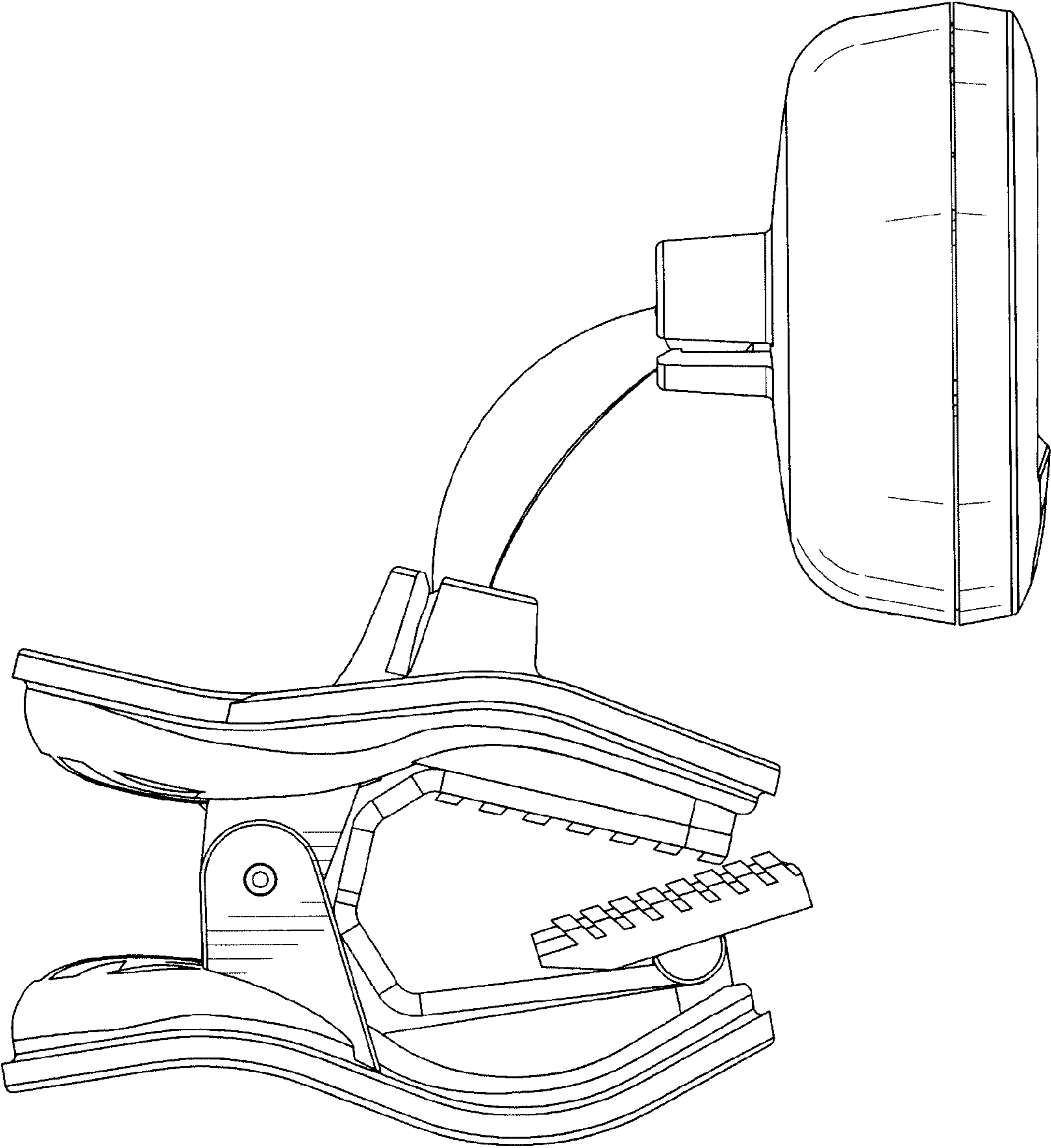


FIG. 7

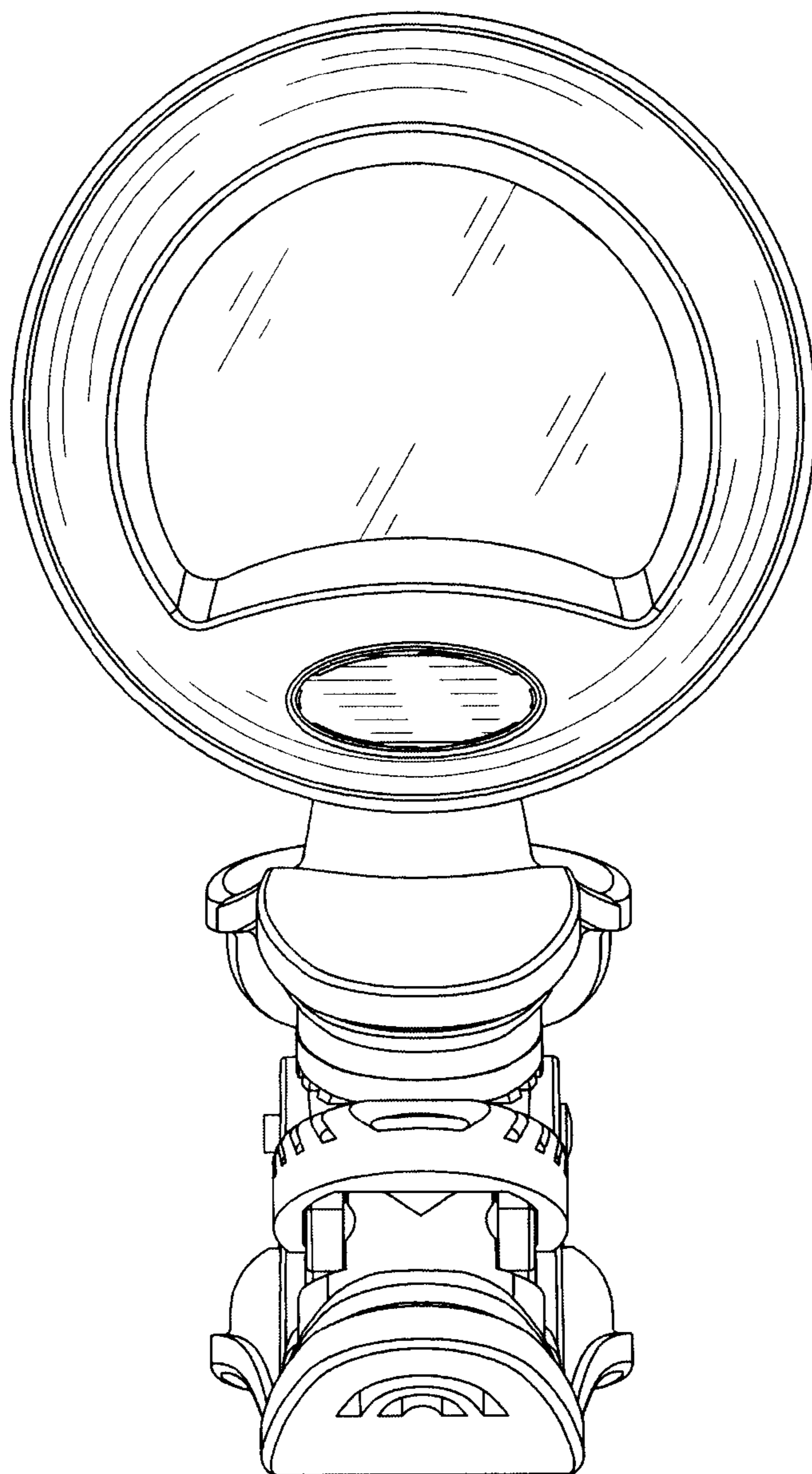


FIG. 8

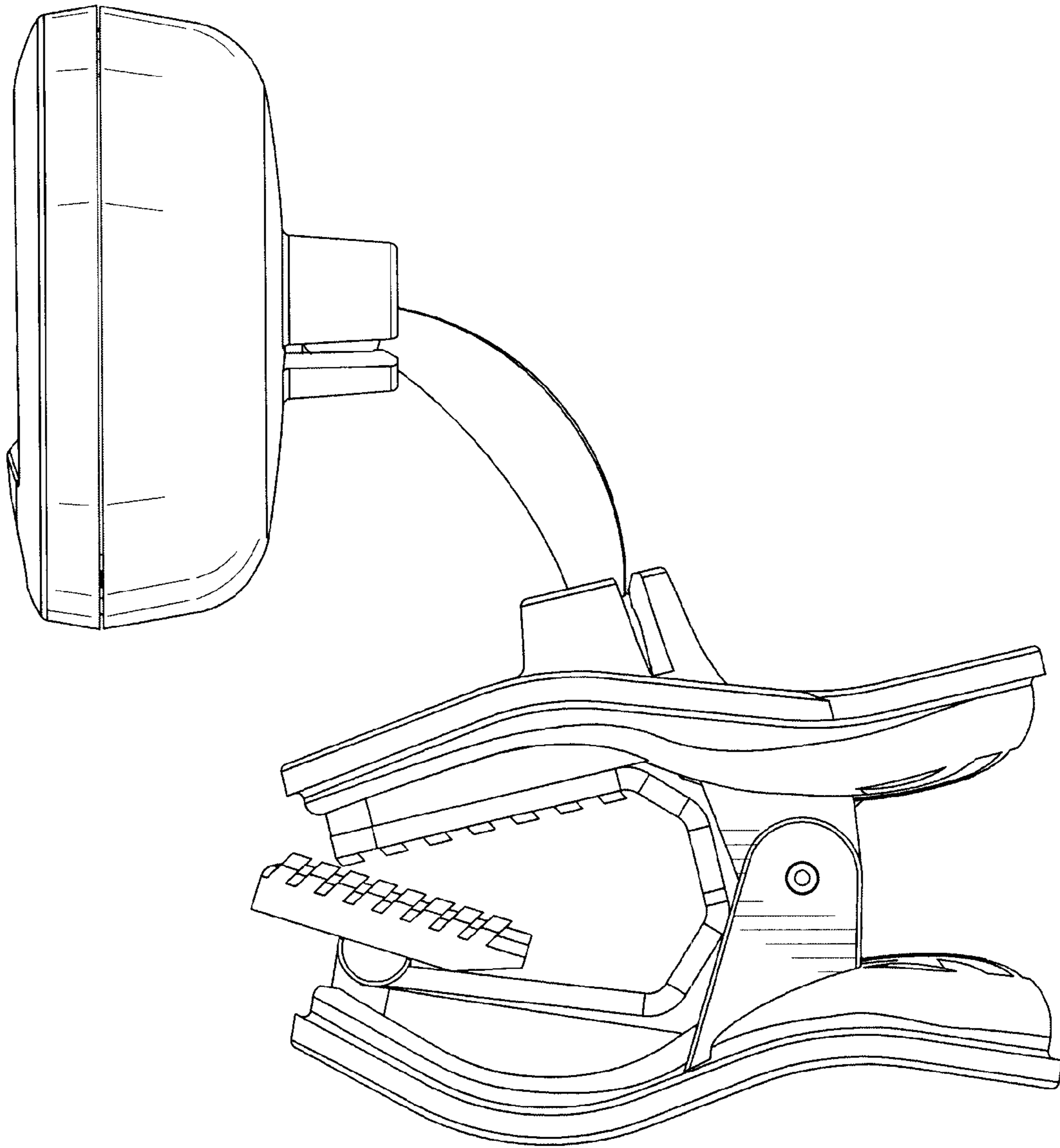


FIG. 9

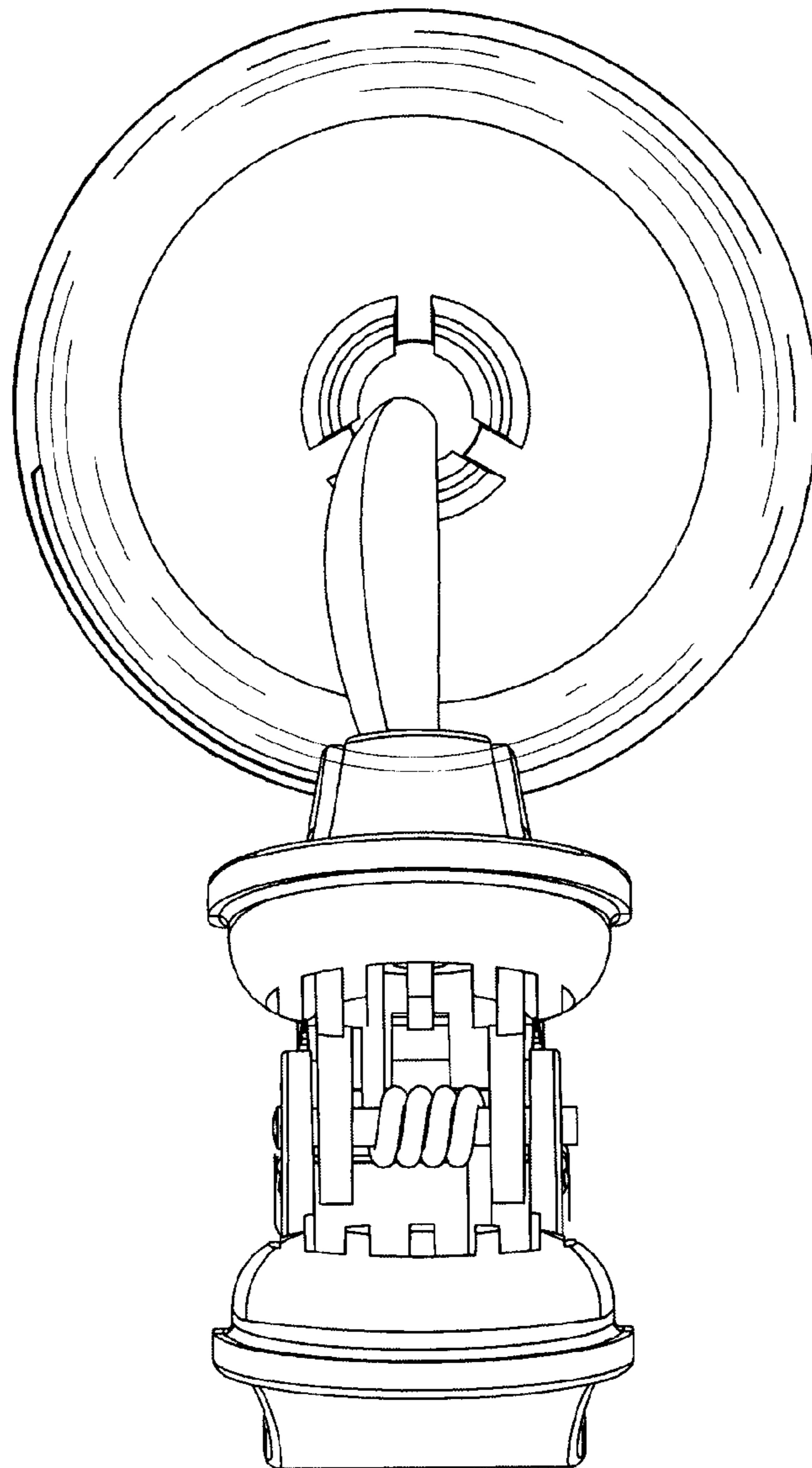


FIG. 10

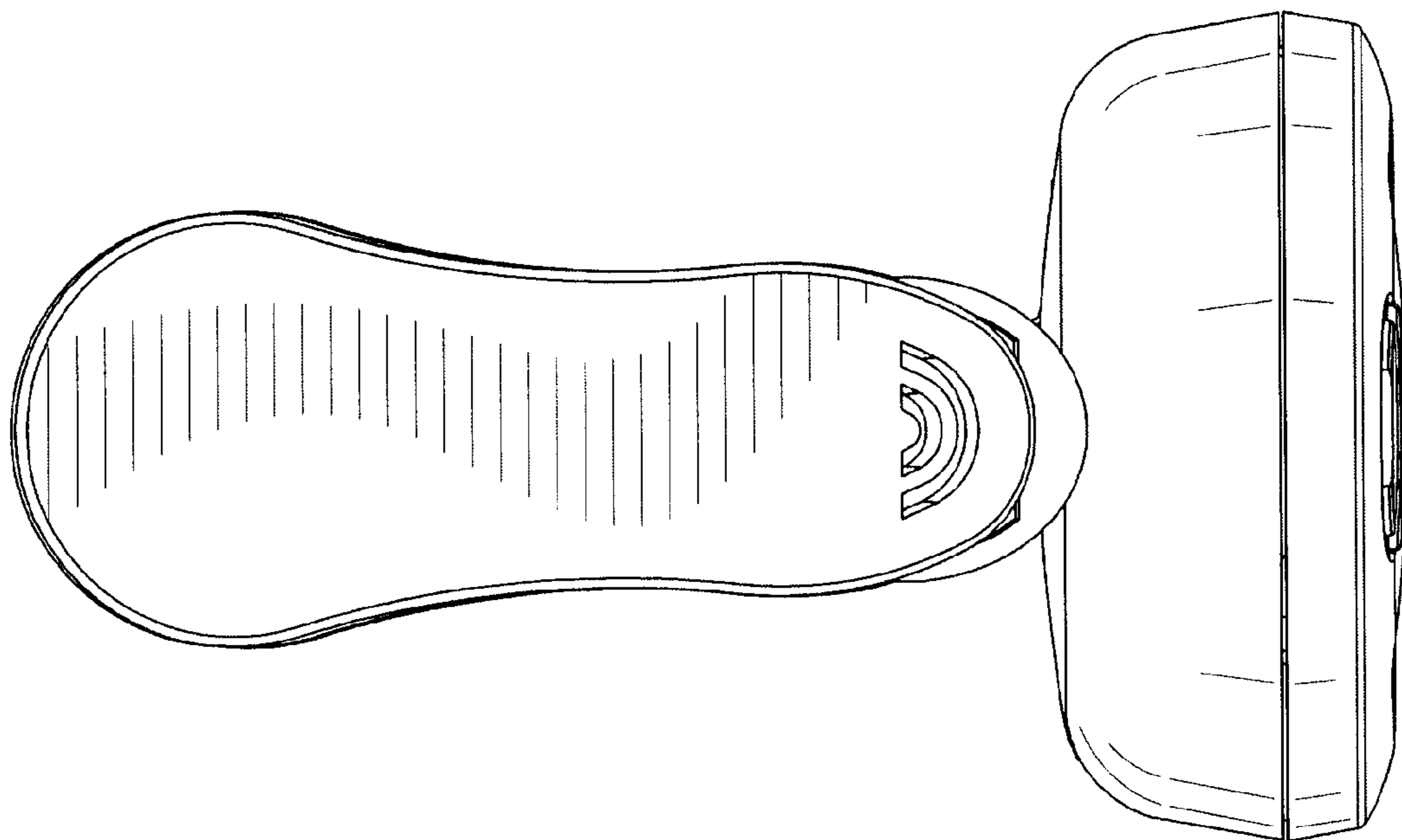


FIG. 11

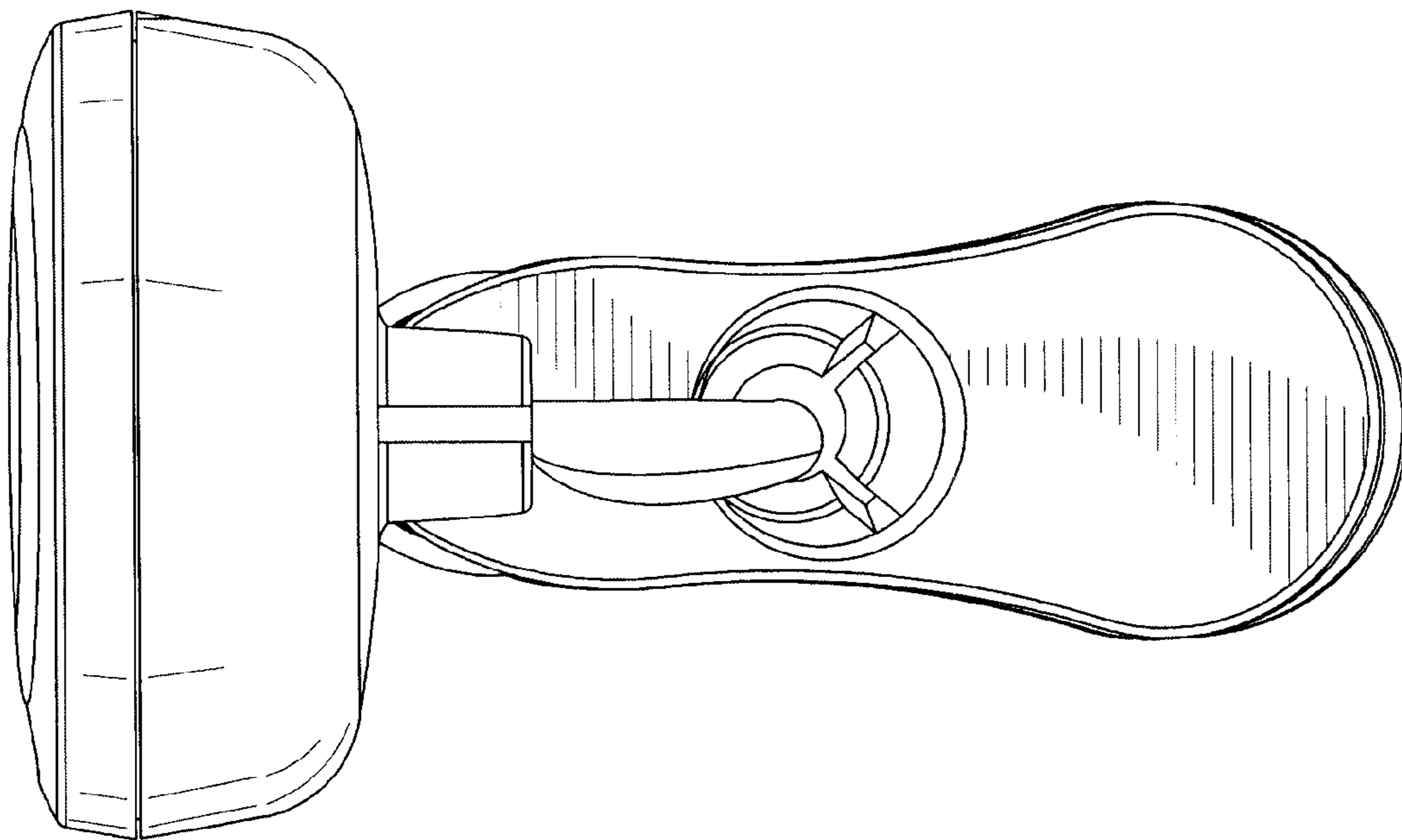


FIG. 12