

US00D661334S

(12) **United States Design Patent**
Cho et al.

(10) **Patent No.:** **US D661,334 S**
(45) **Date of Patent:** **** Jun. 5, 2012**

(54) **GLASSES FOR WATCHING 3D IMAGE**

(75) Inventors: **Ju-Won Cho**, Seoul (KR); **Sung-Jin Ann**, Seoul (KR)

(73) Assignee: **Samsung Electronics Co., Ltd.**, Suwon (KR)

(**) Term: **14 Years**

(21) Appl. No.: **29/405,558**

(22) Filed: **Nov. 3, 2011**

(30) **Foreign Application Priority Data**

Aug. 5, 2011 (KR) 30-2011-0032768

(51) **LOC (9) Cl.** **16-06**

(52) **U.S. Cl.** **D16/309; D16/326**

(58) **Field of Classification Search** D16/101,
D16/300-342; D29/109-110; D24/110.2;
351/41, 44, 51-52, 62, 158, 92, 103-123,
351/140, 153, 45-46; 2/426-432, 447-449,
2/441, 434-437, 13, 15; D21/483, 659-661,
D21/598

See application file for complete search history.

(56) **References Cited**

U.S. PATENT DOCUMENTS

4,400,067	A *	8/1983	Joffe	351/59
D462,979	S *	9/2002	Fairclough	D16/311
D539,834	S *	4/2007	Hester	D16/327
D624,953	S *	10/2010	Yoshikawa et al.	D16/326
D624,954	S *	10/2010	Yoshikawa et al.	D16/326
D625,752	S *	10/2010	Yoshikawa et al.	D16/326
D636,009	S *	4/2011	Hunt	D16/306
D636,809	S	4/2011	Hwang et al.		
D636,810	S	4/2011	Hwang et al.		

FOREIGN PATENT DOCUMENTS

KR	300282440	10/2001
KR	300282441	10/2001
KR	300587691	2/2011
KR	300587715	2/2011
KR	300611725	9/2011
KR	300611754	9/2011
KR	300614318	9/2011

OTHER PUBLICATIONS

U.S. Appl. No. 29/373,476, Applicant: Ju-Won Cho, filed Apr. 13, 2011, entitled Glasses for Watching 3D Images.

U.S. Appl. No. 29/405,554, Applicant: Ju-Won Cho, filed Nov. 3, 2011, entitled Glasses for Watching 3D Images.

* cited by examiner

Primary Examiner — Raphael Barkai

(74) *Attorney, Agent, or Firm* — Wood, Herron & Evans, LLP

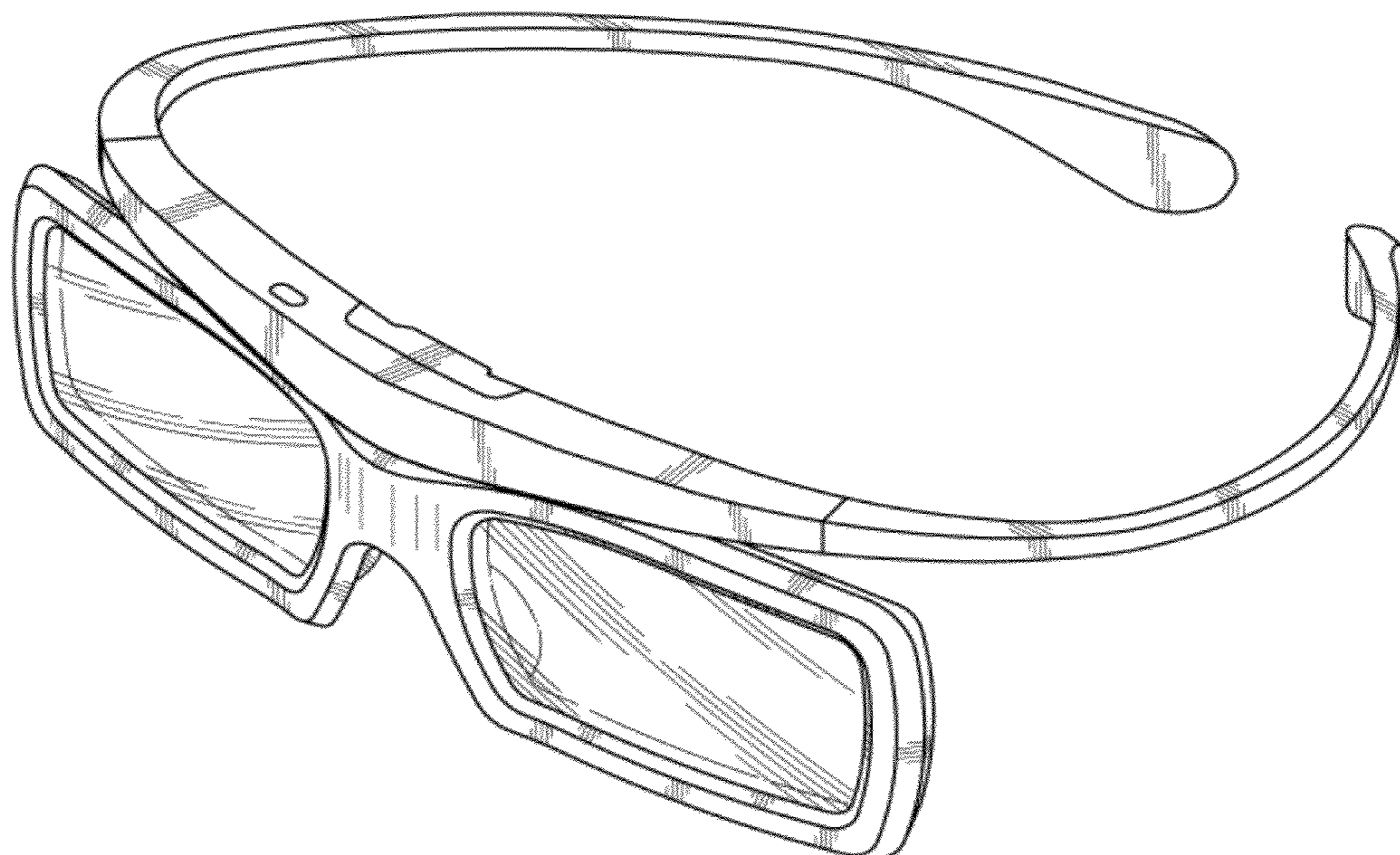
(57) **CLAIM**

The ornamental design for glasses for watching 3D image, as shown and described.

DESCRIPTION

FIG. 1 is a top front perspective view of glasses for watching 3D image showing our new design;
FIG. 2 is a front elevational view thereof;
FIG. 3 is a rear elevational view thereof;
FIG. 4 is a left side elevational view thereof;
FIG. 5 is a right side elevational view thereof;
FIG. 6 is a top plan view thereof; and,
FIG. 7 is a bottom plan view thereof.

1 Claim, 4 Drawing Sheets



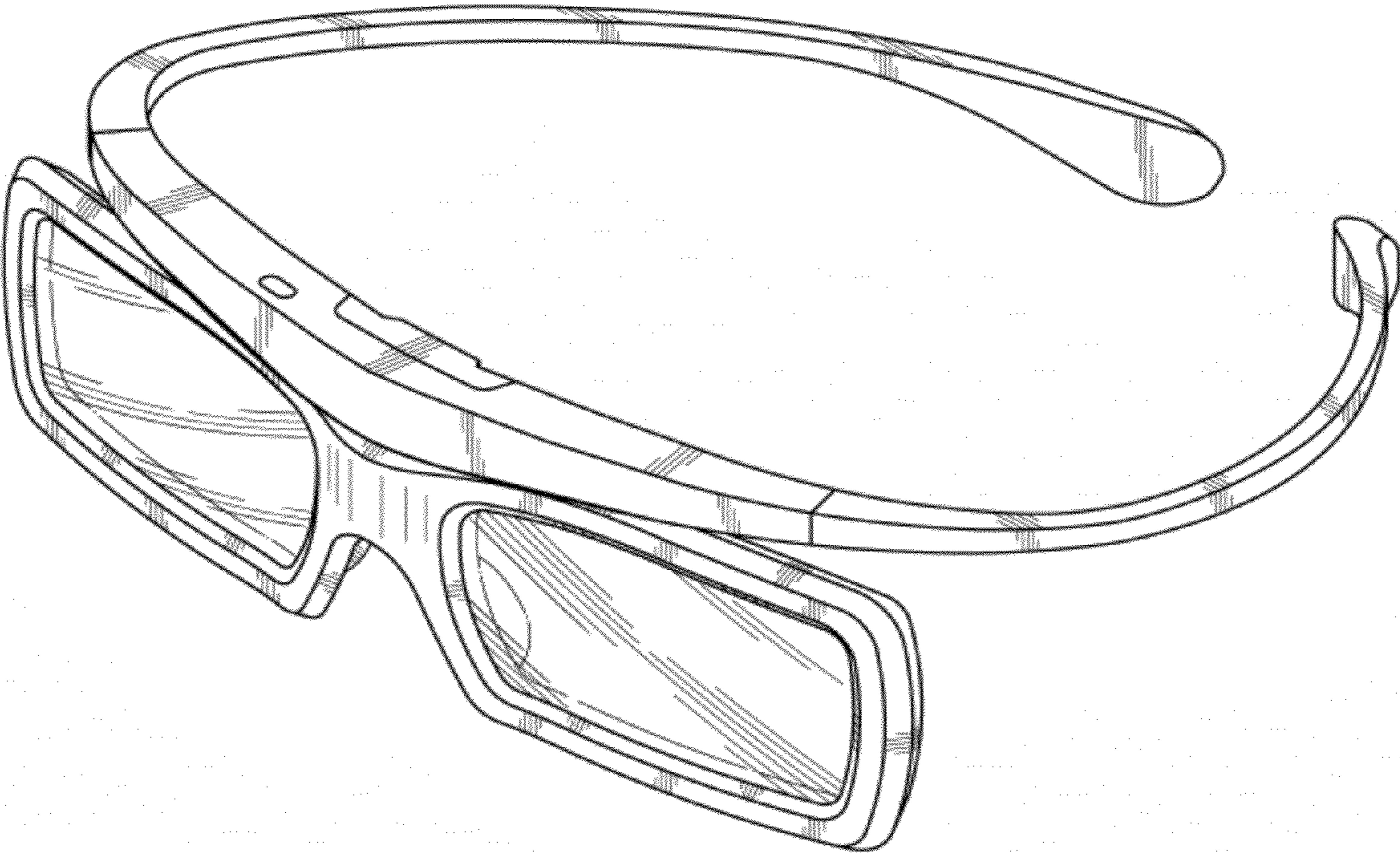


FIG.1

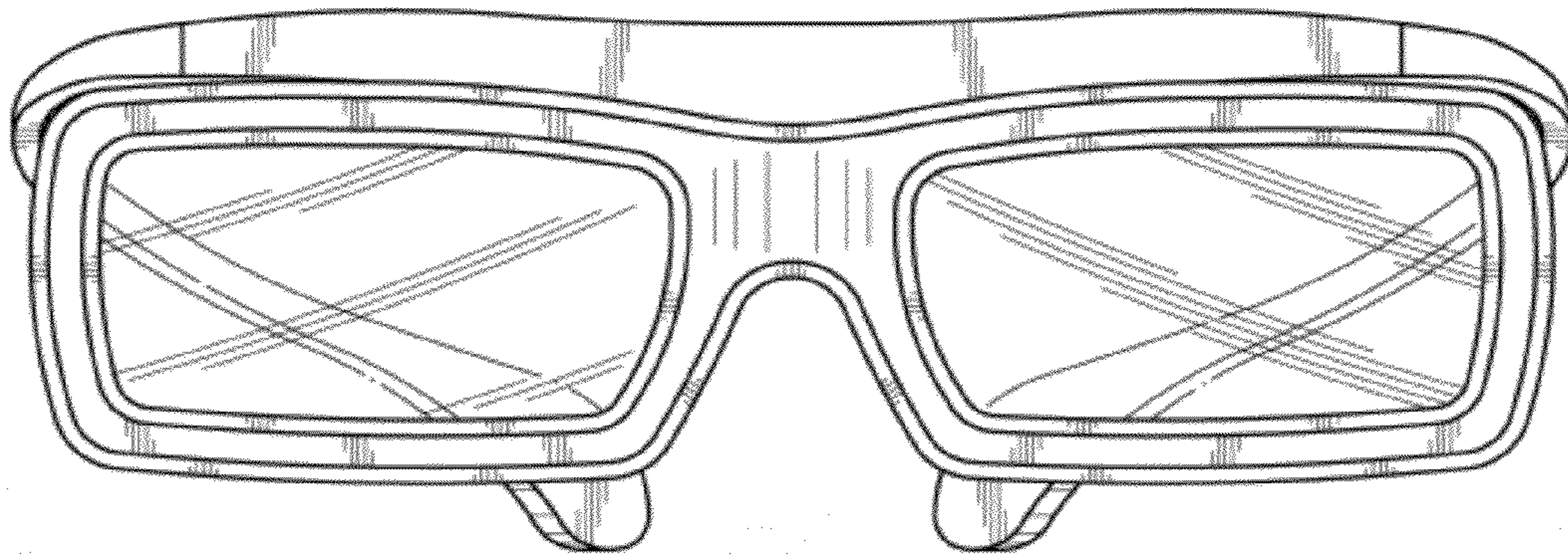


FIG. 2

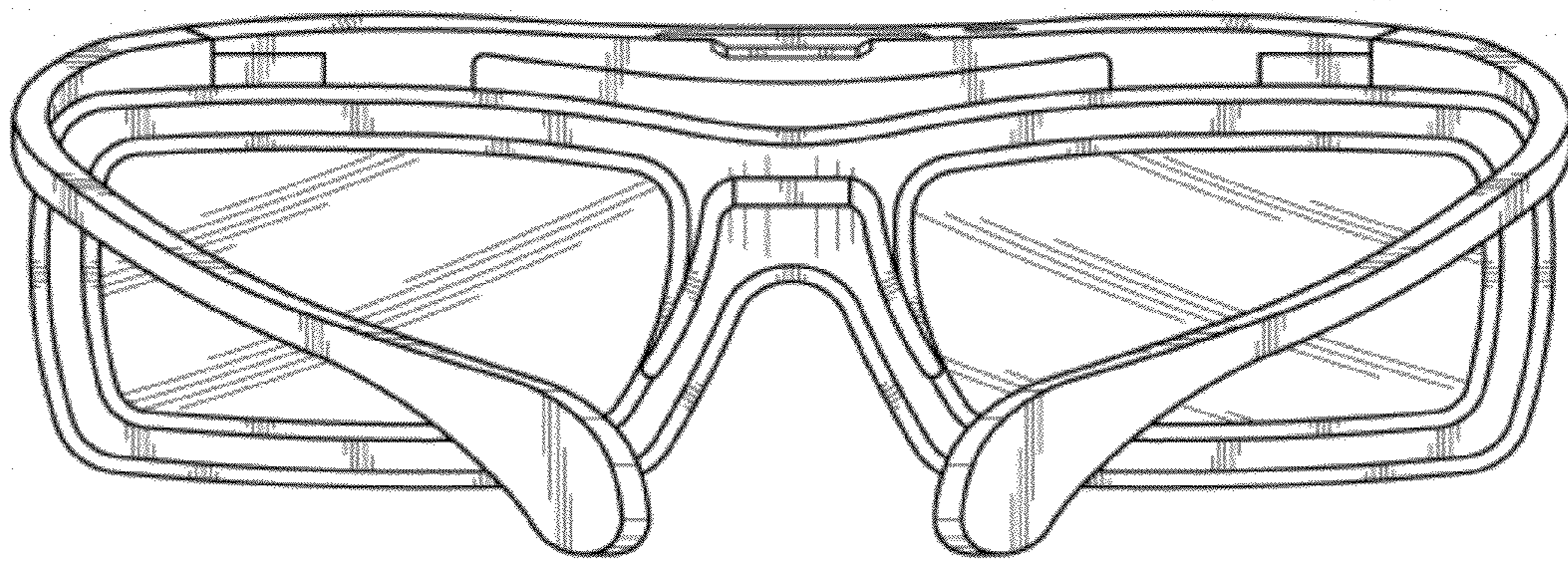


FIG. 3

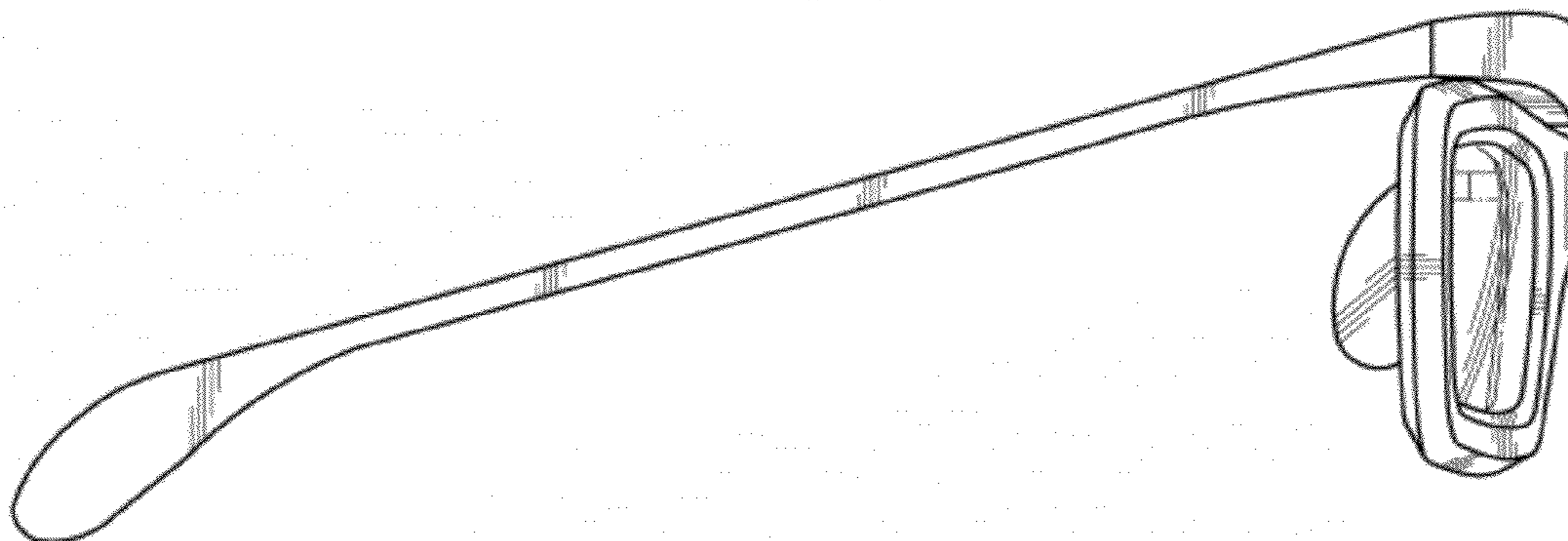


FIG. 4

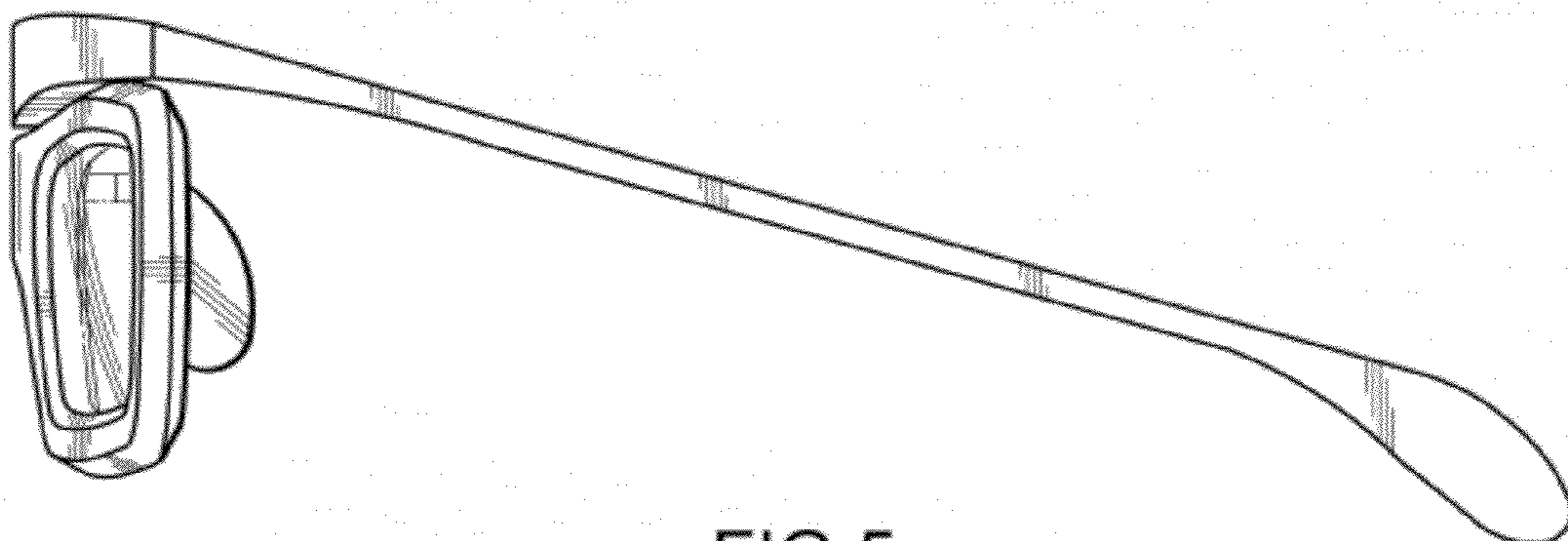


FIG. 5

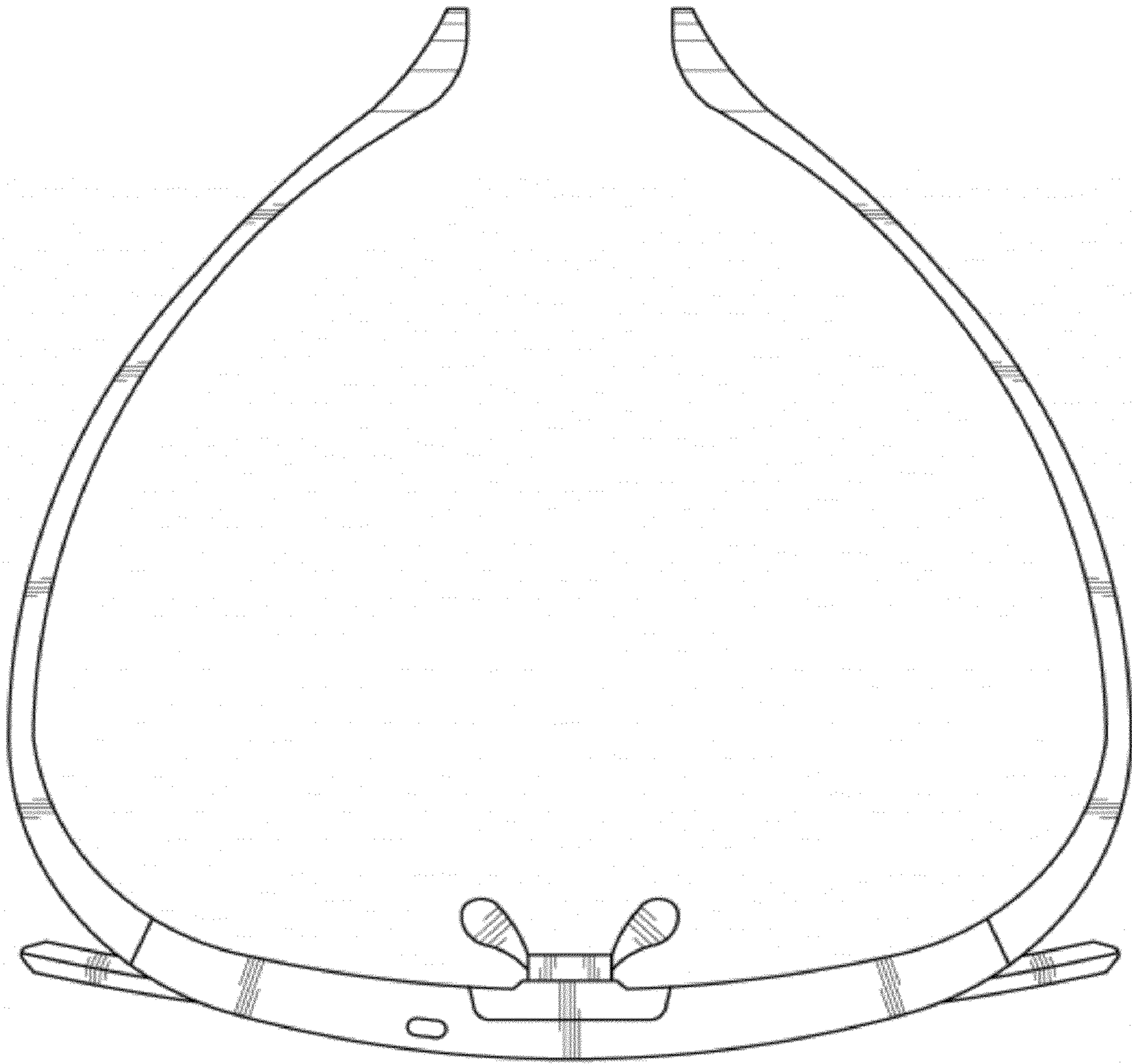


FIG.6

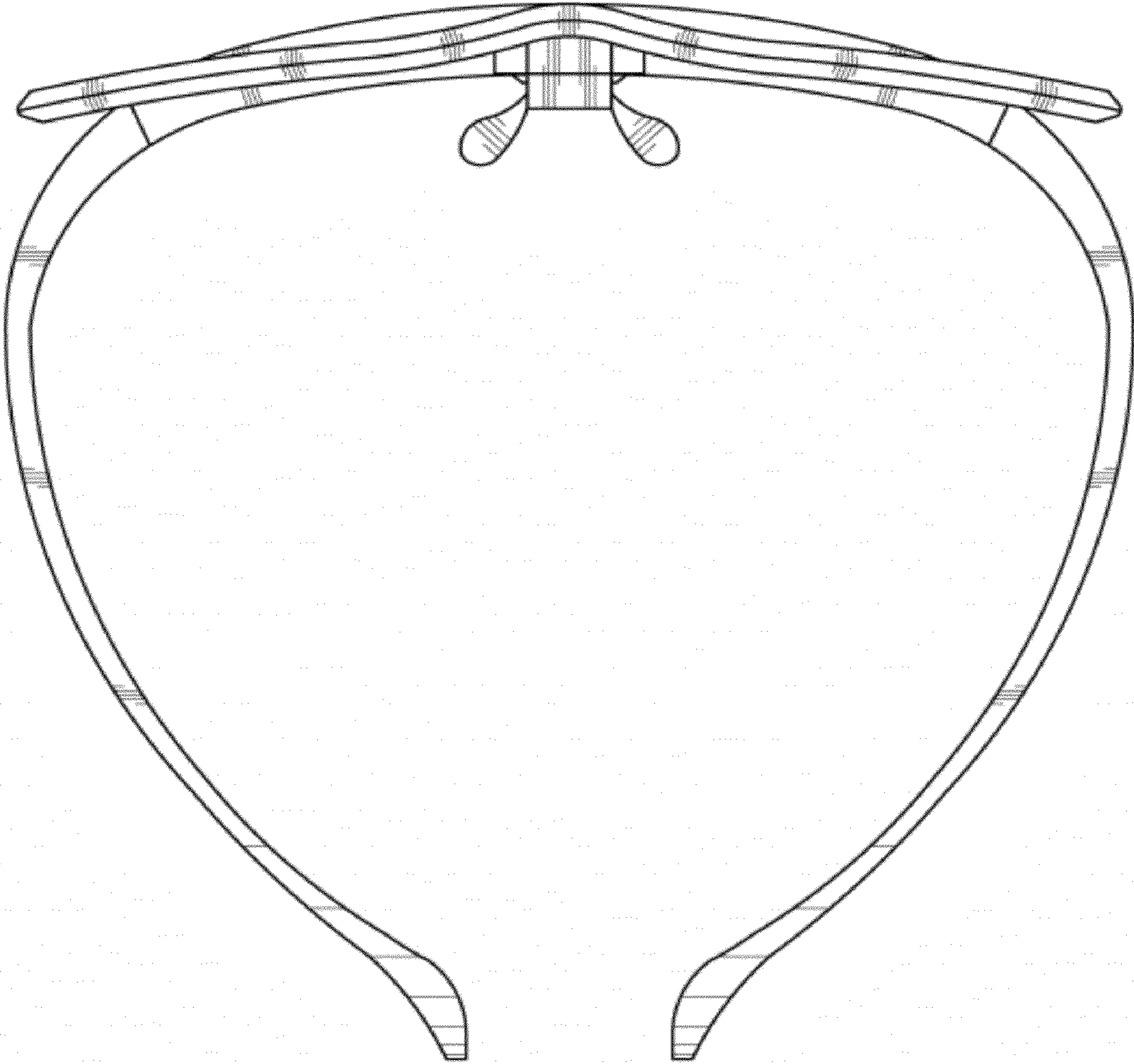


FIG.7