

US00D661333S

(12) **United States Design Patent**
Takeda et al.

(10) **Patent No.:** **US D661,333 S**
(45) **Date of Patent:** **** Jun. 5, 2012**

(54) **PROJECTOR**

(75) Inventors: **Mikiya Takeda**, Tokyo (JP); **Candice Cheng**, Taipei (TW)

(73) Assignees: **NEC Display Solutions, Ltd.**, Tokyo (JP); **Delta Electronics, Inc.**, Taipei (TW)

(**) Term: **14 Years**

(21) Appl. No.: **29/398,415**

(22) Filed: **Jul. 29, 2011**

(30) **Foreign Application Priority Data**

Jan. 31, 2011 (JP) 2011-2039

(51) **LOC (9) Cl.** **16-02**

(52) **U.S. Cl.** **D16/235; D16/230**

(58) **Field of Classification Search** D16/205,
D16/221, 225, 230-231, 234-235; D13/162;
D14/217-218; 353/115, 119, 122; 361/622,
361/627; D18/50, 56

See application file for complete search history.

(56) **References Cited**

U.S. PATENT DOCUMENTS

D388,769 S *	1/1998	Pritchard et al.	D13/162
D418,532 S *	1/2000	Kuramoto et al.	D16/230
D421,269 S *	2/2000	Murakami	D16/231
D436,980 S *	1/2001	Takeuchi et al.	D16/231
D481,056 S *	10/2003	Kawasaki et al.	D16/235
7,021,775 B2 *	4/2006	Sample	353/119
D538,790 S *	3/2007	Okada et al.	D14/218
D605,215 S *	12/2009	Azuma	D16/230
7,764,490 B2 *	7/2010	Muraki	361/679.21

D627,388 S *	11/2010	Takeda et al.	D16/235
7,878,666 B2 *	2/2011	Muraki et al.	353/122
2011/0211315 A1 *	9/2011	Takeda	361/724

FOREIGN PATENT DOCUMENTS

EP 001521171-0005 * 5/2011

OTHER PUBLICATIONS

Google Image Resut for <http://www.rentourprojectors.com/images/panasonic-th-dw10000-1.jpg>. [On line]. Retrieved on Jan. 26, 2012.*

* cited by examiner

Primary Examiner — Wan Laymon

(74) *Attorney, Agent, or Firm* — Sughrue Mion, PLLC

(57) **CLAIM**

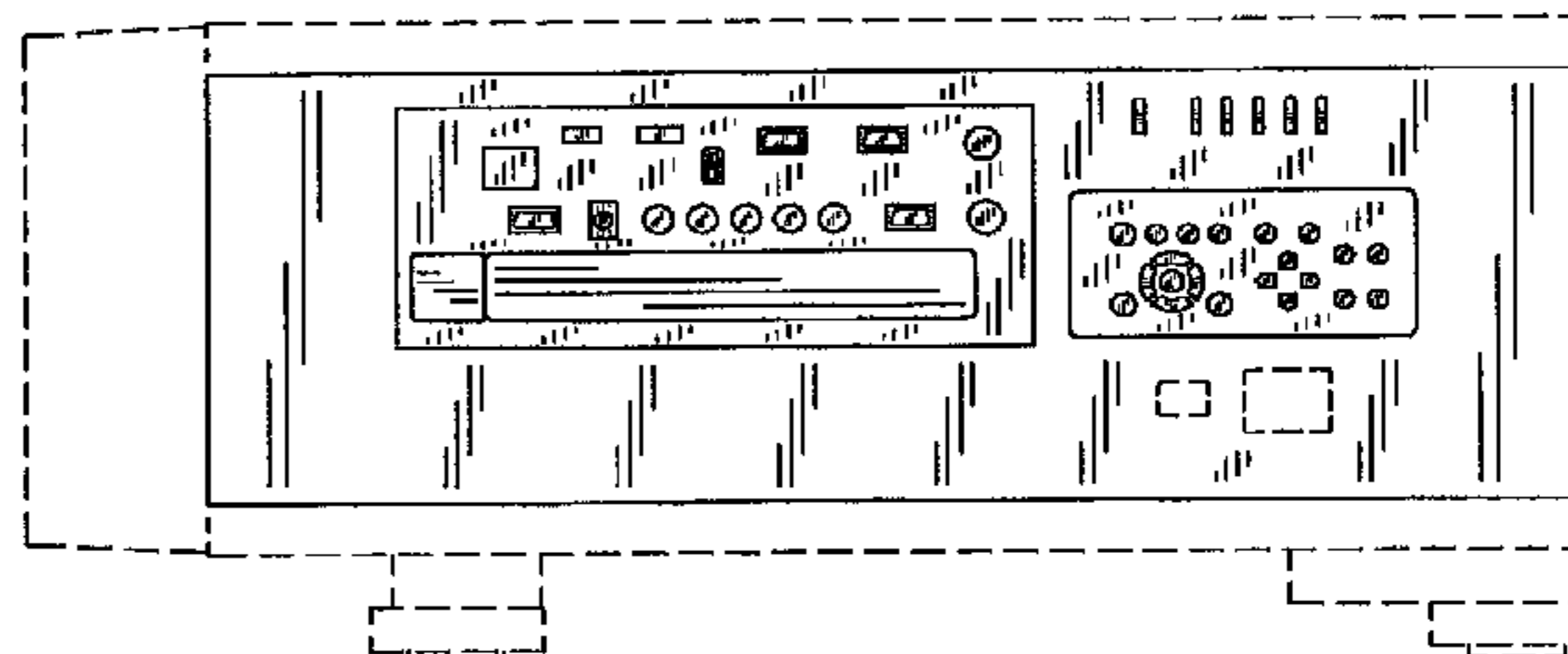
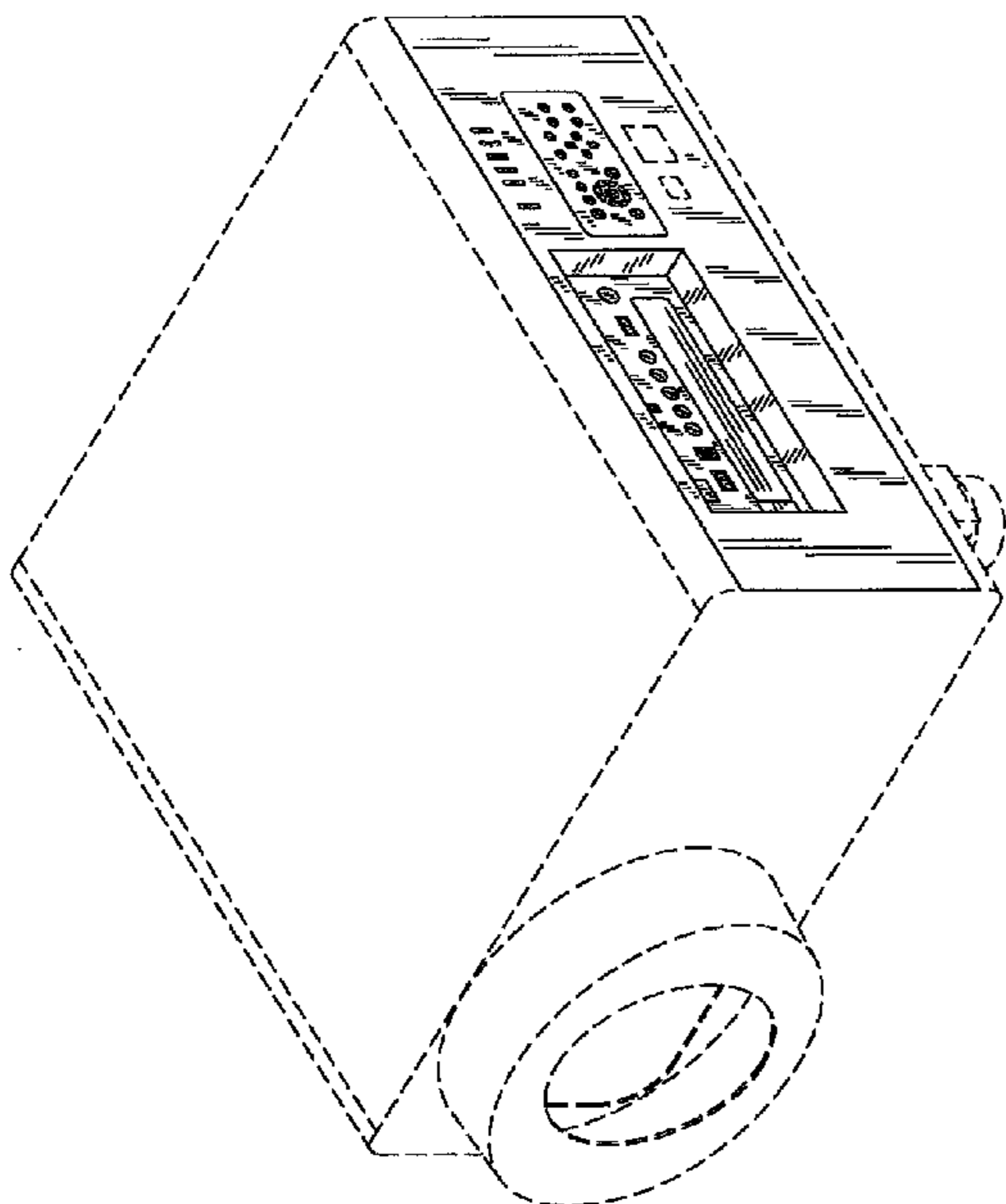
The ornamental design for a projector, as shown and described.

DESCRIPTION

FIG. 1 is a front, left side, top perspective view of a projector showing our new design;
FIG. 2 is a front elevational view thereof;
FIG. 3 is a rear elevational view thereof;
FIG. 4 is a left side view thereof;
FIG. 5 is a right side view thereof;
FIG. 6 is a top plan view thereof;
FIG. 7 is a bottom plan view thereof; and,
FIG. 8 is an enlarged cross-sectional view thereof, taken along line 8-8 and taken at line 8'-8' of FIG. 6.

The broken lines adjacent the shaded areas represent the bounds of the claimed design while all other broken lines shown in the figures represent portions of the projector that form no part of the claimed design. None of the broken lines form part of the claimed design.

1 Claim, 6 Drawing Sheets



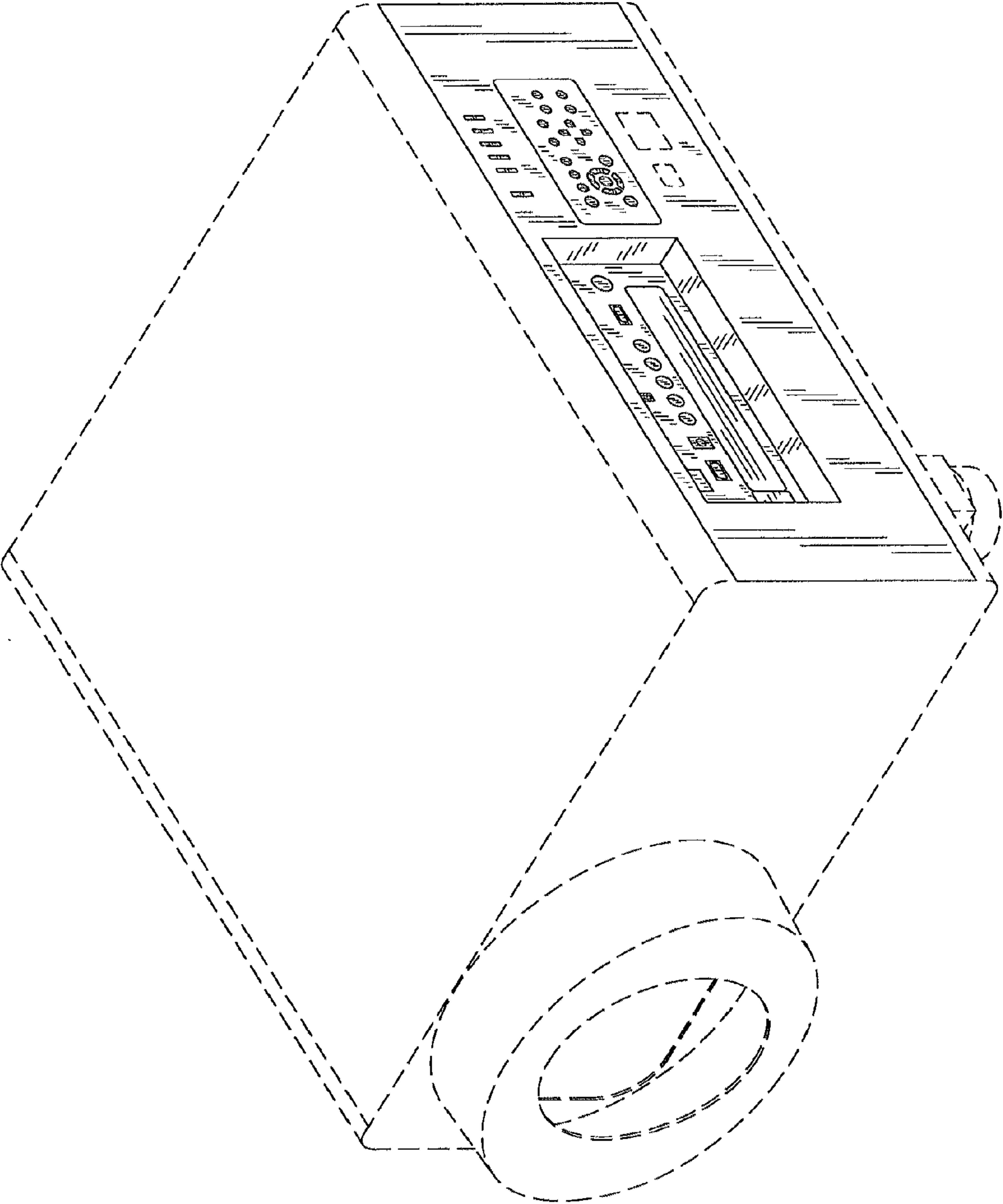


FIG. 1

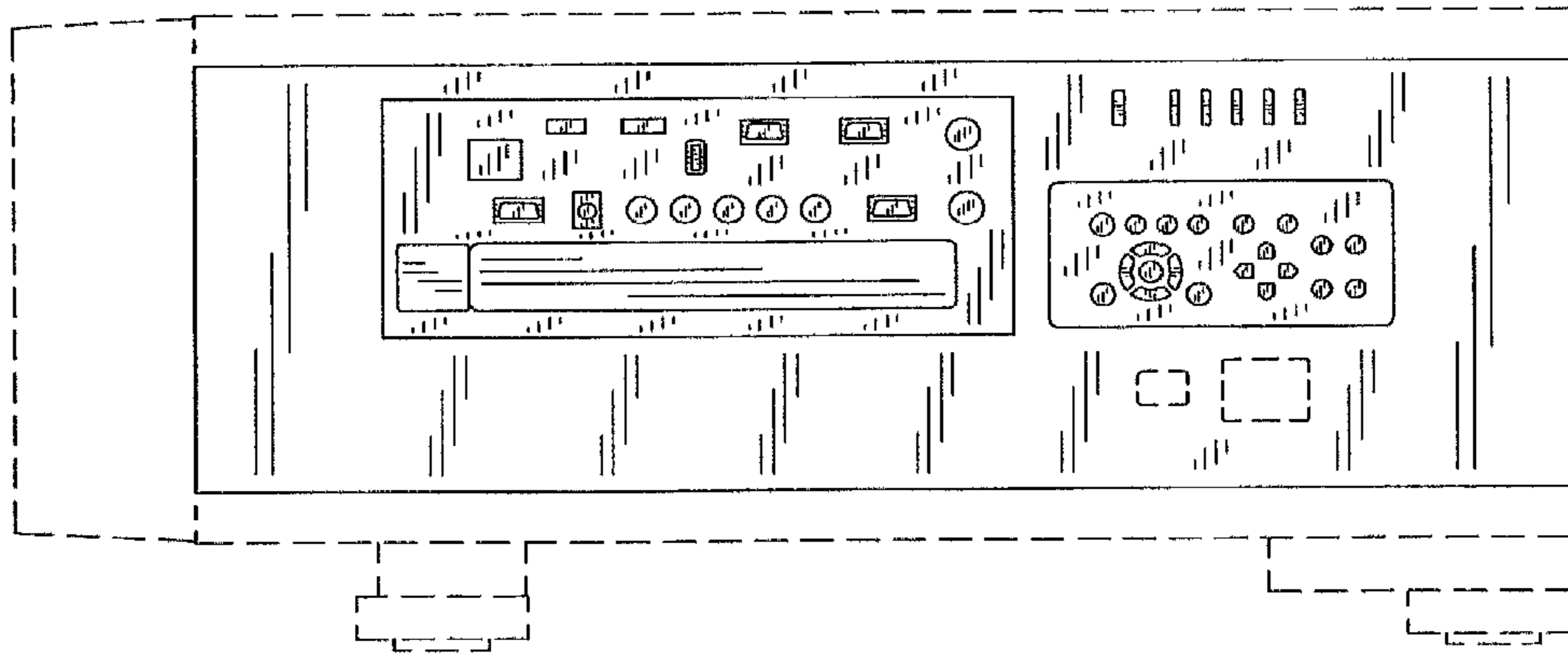


FIG. 2

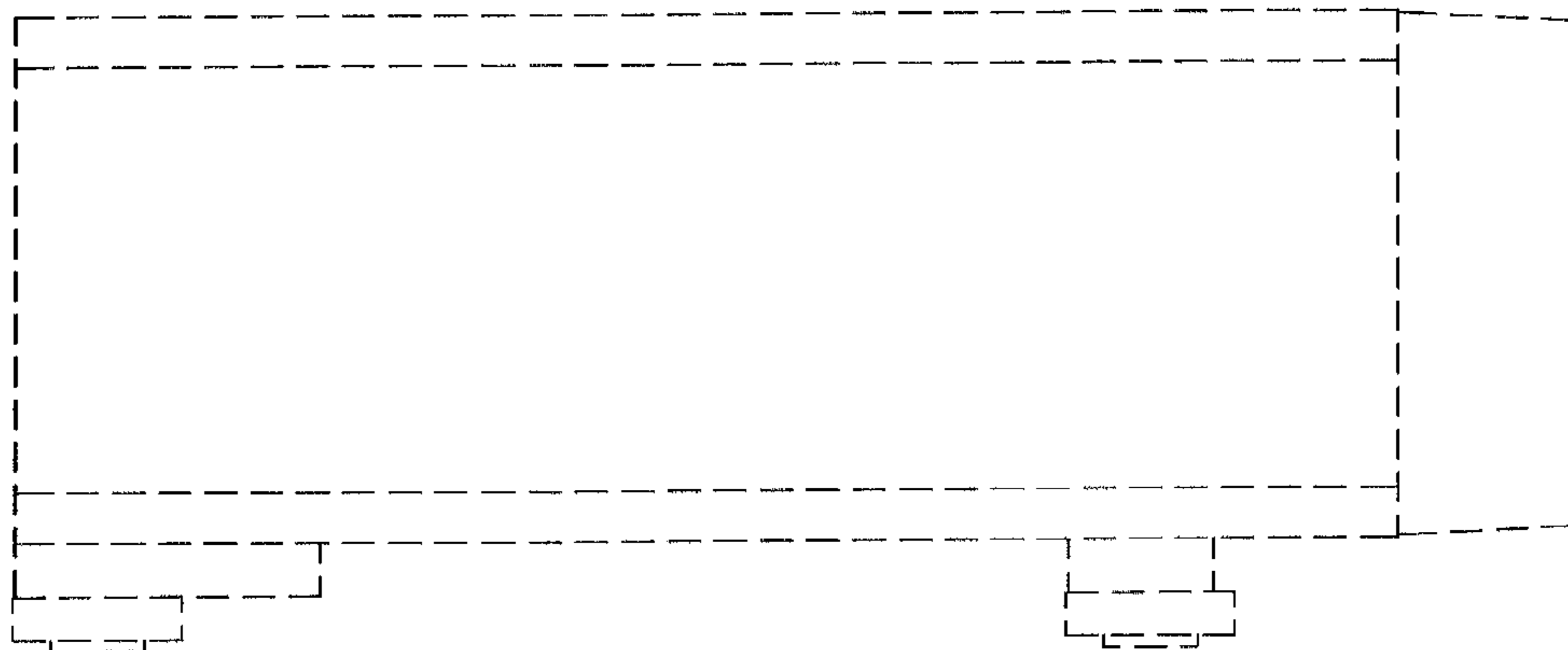


FIG. 3

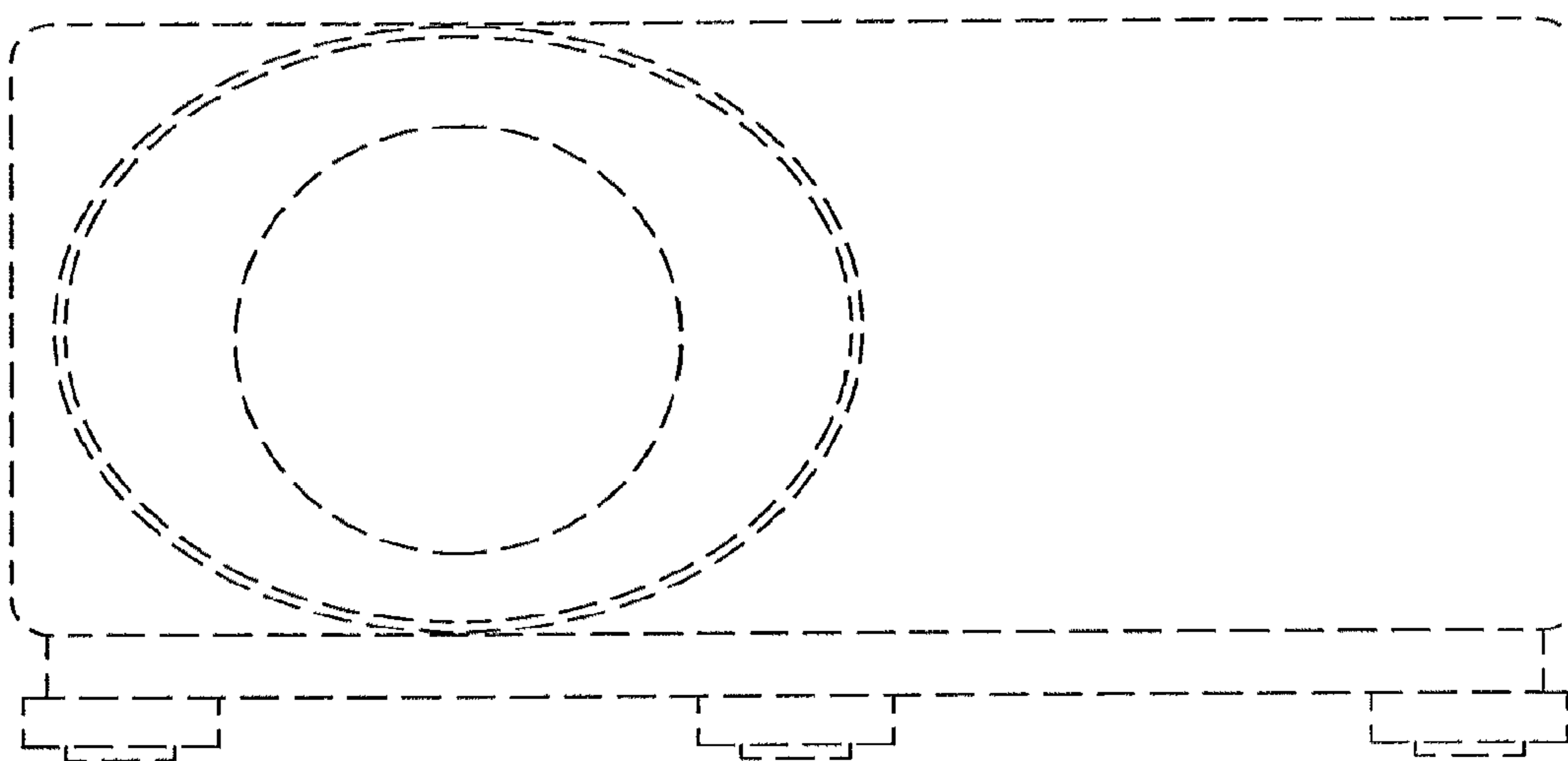


FIG. 4

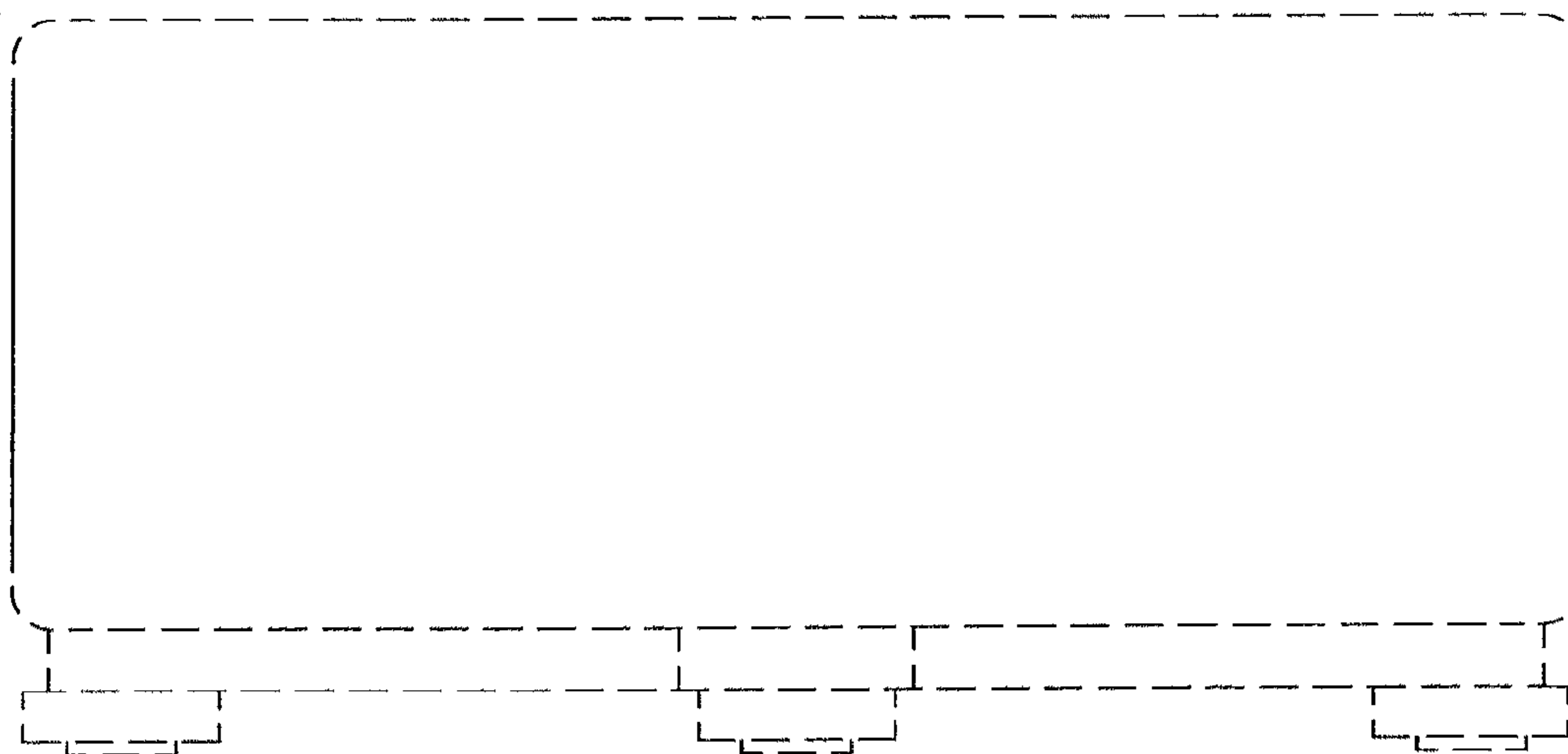


FIG. 5

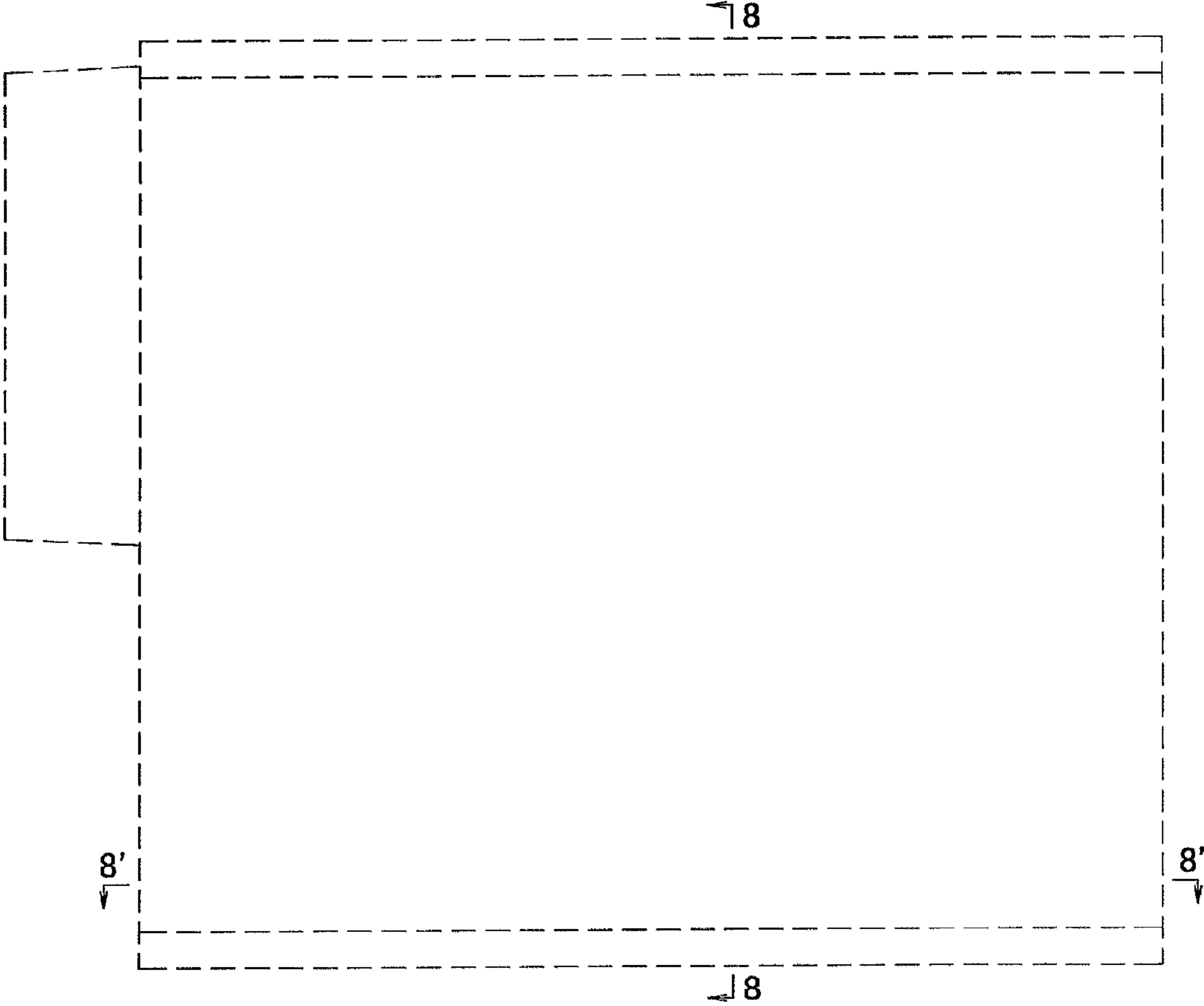


FIG. 6

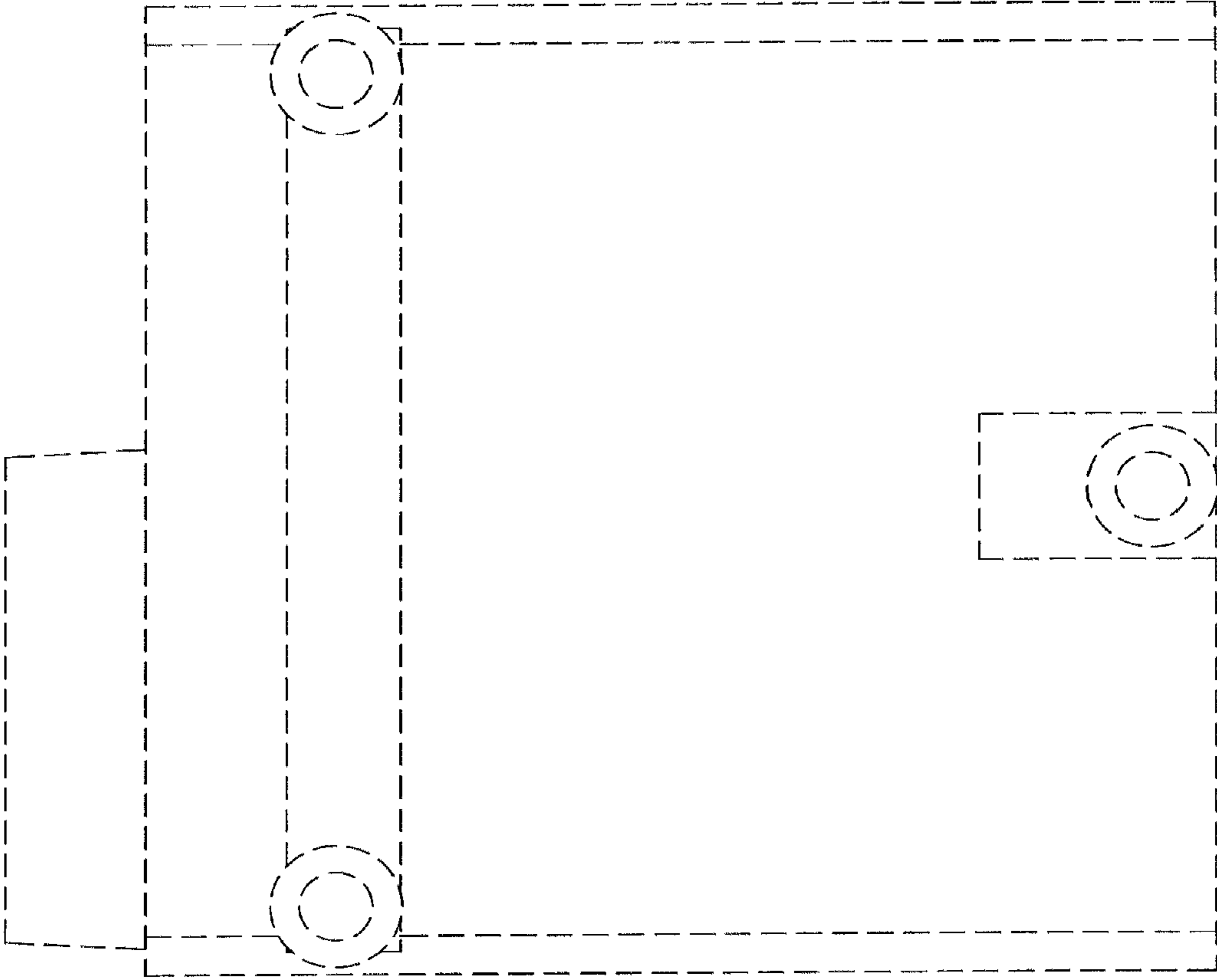


FIG. 7

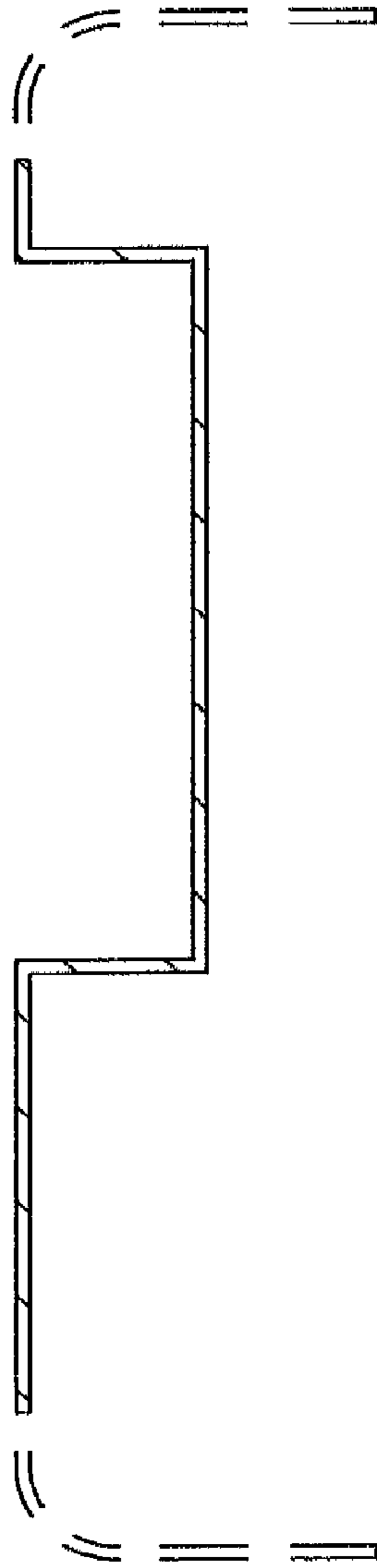


FIG. 8