

US00D661331S

(12) **United States Design Patent**
Woodward et al.

(10) **Patent No.:** **US D661,331 S**
(45) **Date of Patent:** **** Jun. 5, 2012**

(54) **DISPLAY**

(75) Inventors: **Christopher M. Woodward**, London (GB); **Colin R. French**, Andover (GB)

(73) Assignee: **Flir Systems, Inc.**, Wilsonville, OR (US)

(**) Term: **14 Years**

(21) Appl. No.: **29/389,330**

(22) Filed: **Apr. 8, 2011**

(51) **LOC (9) Cl.** **16-05**

(52) **U.S. Cl.** **D16/219; D16/130**

(58) **Field of Classification Search** D16/200, D16/218, 219, 241, 221, 225, 130; 359/802, 359/804; D14/167, 129, 126, 374, 424; D21/331, D21/329, 333; 273/148 B; D13/162; D10/66; 348/837, 838, 373, 333.01, 333.02; 297/217.3; 439/668; 463/46

See application file for complete search history.

(56) **References Cited**

U.S. PATENT DOCUMENTS

D328,474 S *	8/1992	Chen	D21/331
D382,914 S *	8/1997	Ho et al.	D21/331
D390,861 S *	2/1998	Liao	D16/225
5,748,228 A *	5/1998	Kobayashi et al.	348/63
D423,546 S *	4/2000	Wilson et al.	D16/225
D446,193 S *	8/2001	Lavelle et al.	D14/126
D494,074 S *	8/2004	Ishii	D10/66

D500,334 S *	12/2004	Yanagisawa et al.	D16/219
D503,944 S *	4/2005	Adachi et al.	D16/130
D504,452 S *	4/2005	Yoshida	D16/219
D509,827 S *	9/2005	Johnson	D14/374
D518,004 S *	3/2006	Peng	D14/126
D536,360 S *	2/2007	Dayan	D16/242
7,172,305 B2 *	2/2007	Rodriguez et al.	362/97.2
D550,174 S *	9/2007	Deguchi	D14/126
D623,214 S *	9/2010	Onoda	D16/225
8,023,033 B2 *	9/2011	Kirihara et al.	348/341
D649,575 S *	11/2011	Hanson-Abbott	D16/219

* cited by examiner

Primary Examiner — Paula Greene

(74) *Attorney, Agent, or Firm* — Haynes and Boone, LLP

(57) **CLAIM**

The ornamental design for a display, as shown and described.

DESCRIPTION

FIG. 1 is a top-right perspective view of a display embodying our new design;

FIG. 2 is a front elevational view thereof;

FIG. 3 is a rear elevational view thereof;

FIG. 4 is a top plan view thereof;

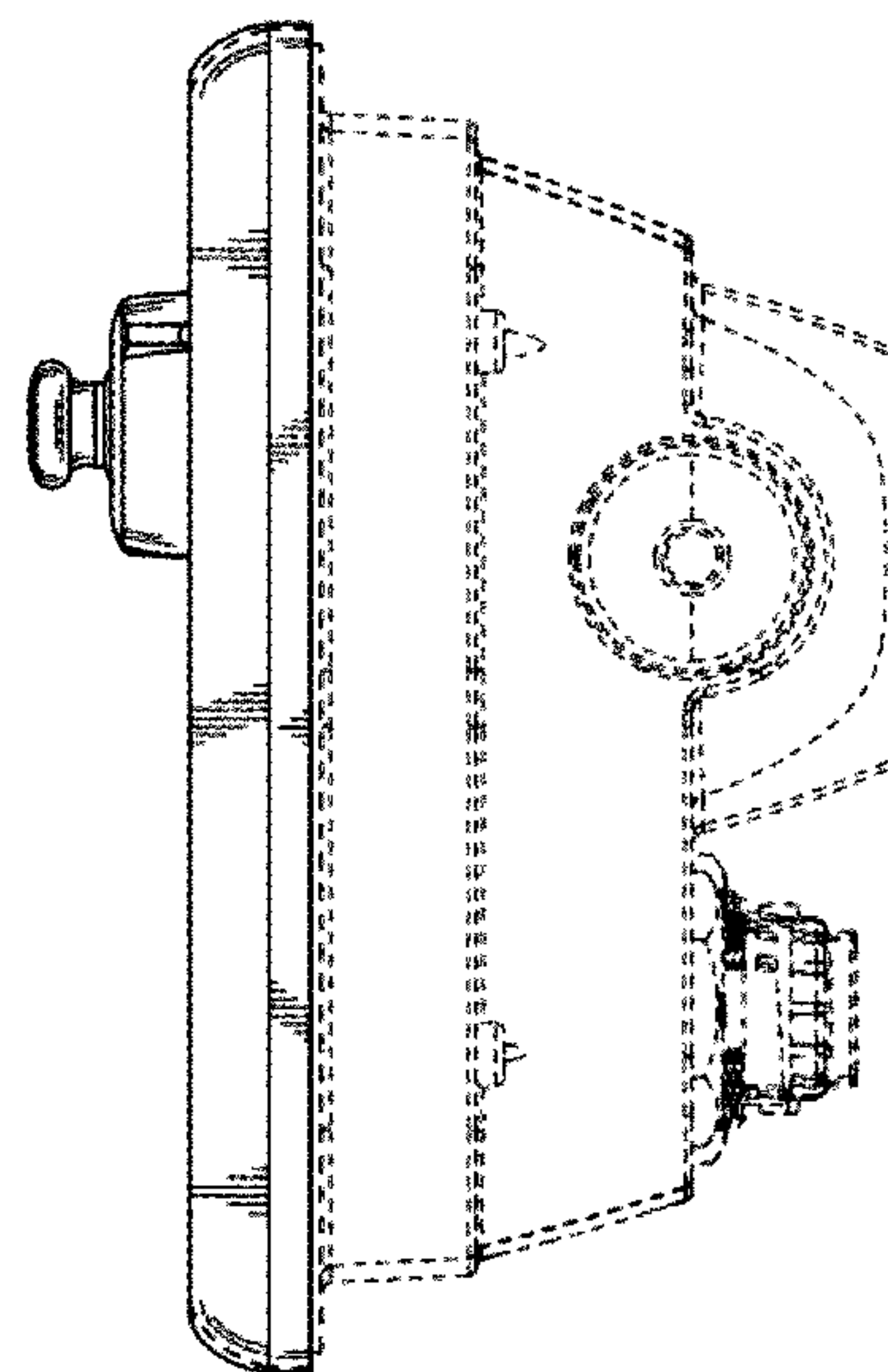
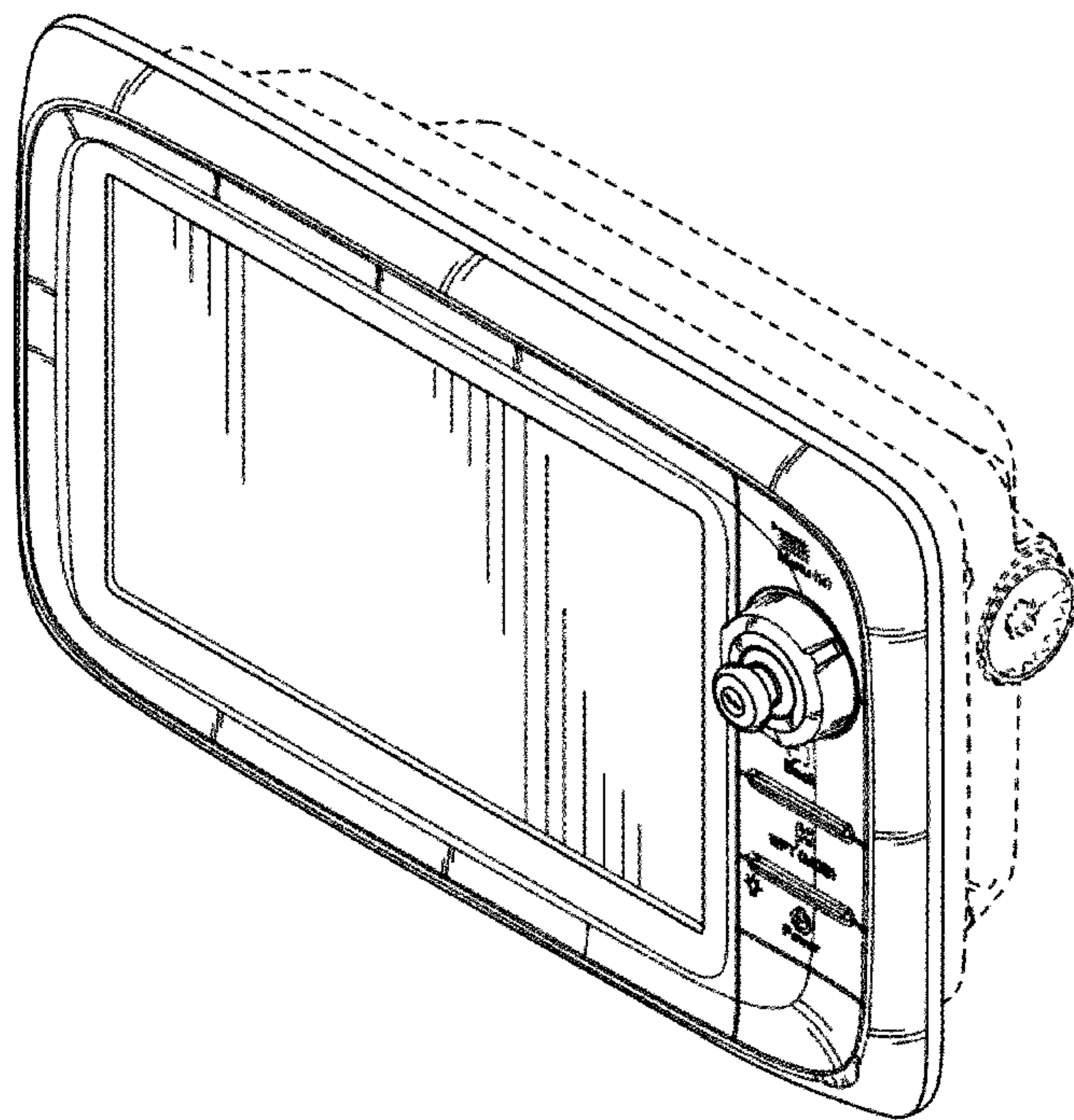
FIG. 5 is a bottom plan view thereof;

FIG. 6 is a left side elevational view thereof; and,

FIG. 7 is a right side elevational view thereof.

The broken lines in the figures are shown for the purpose of illustrating environmental matter and form no part of the claimed design.

1 Claim, 7 Drawing Sheets



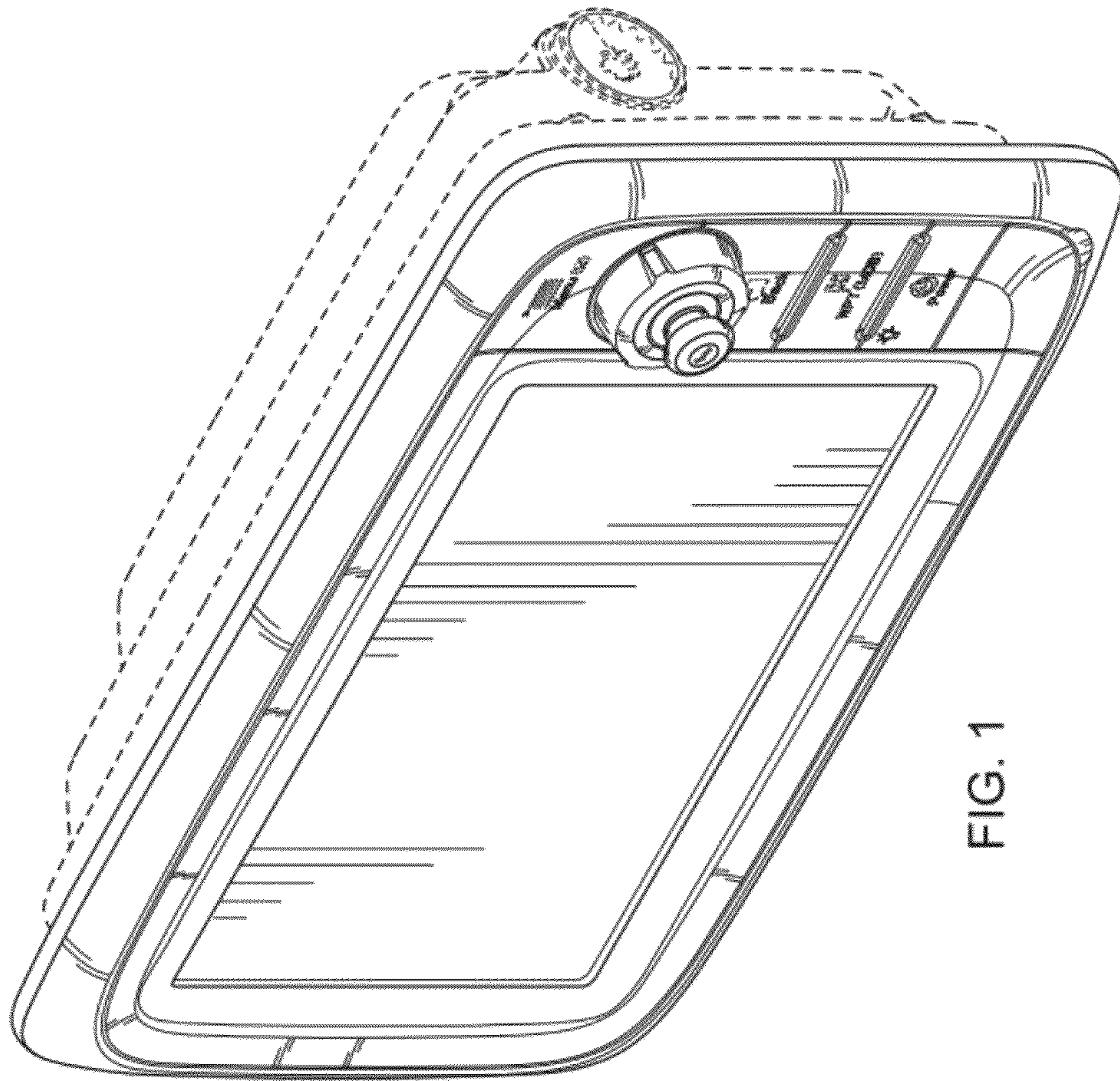


FIG. 1

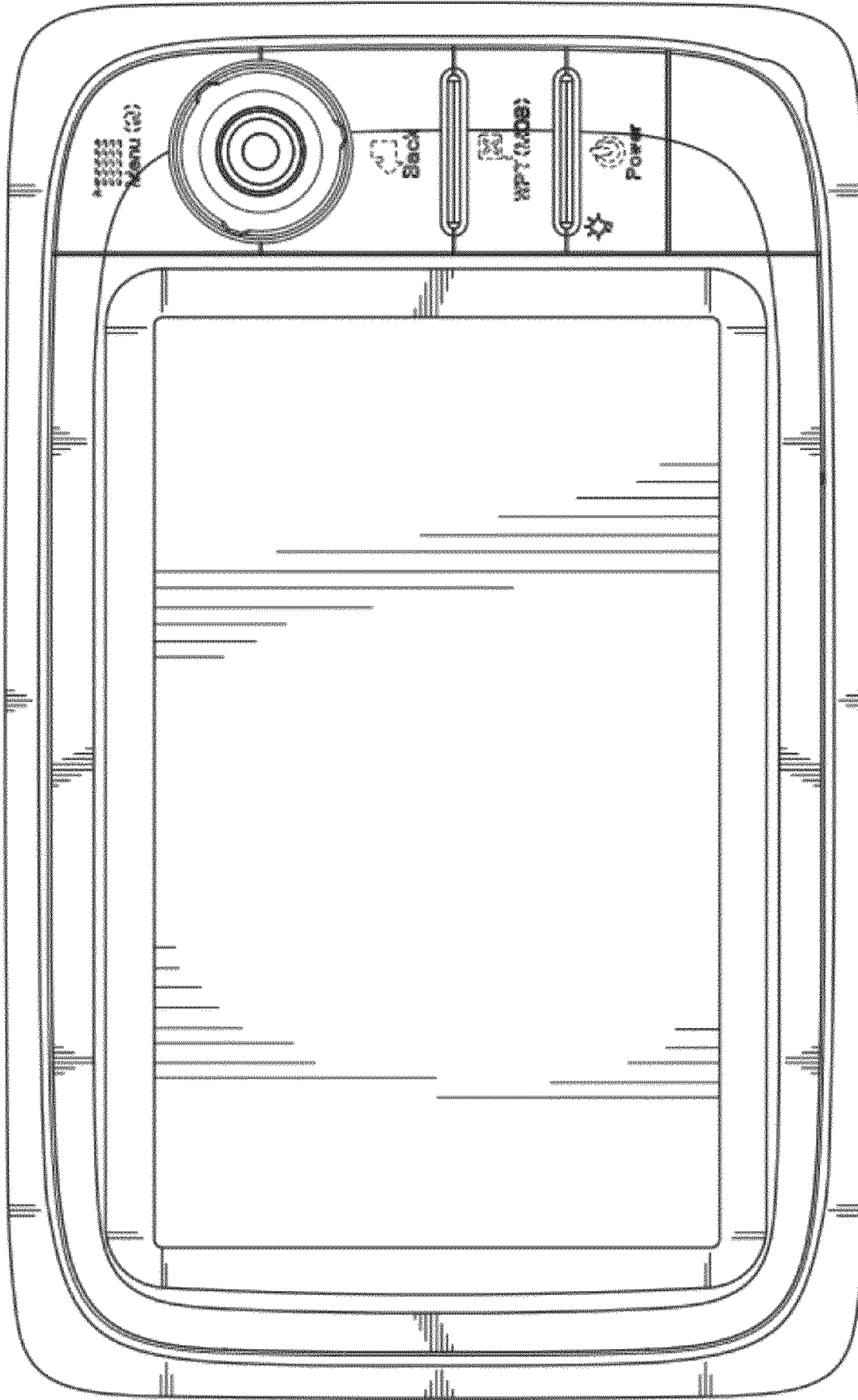


FIG. 2

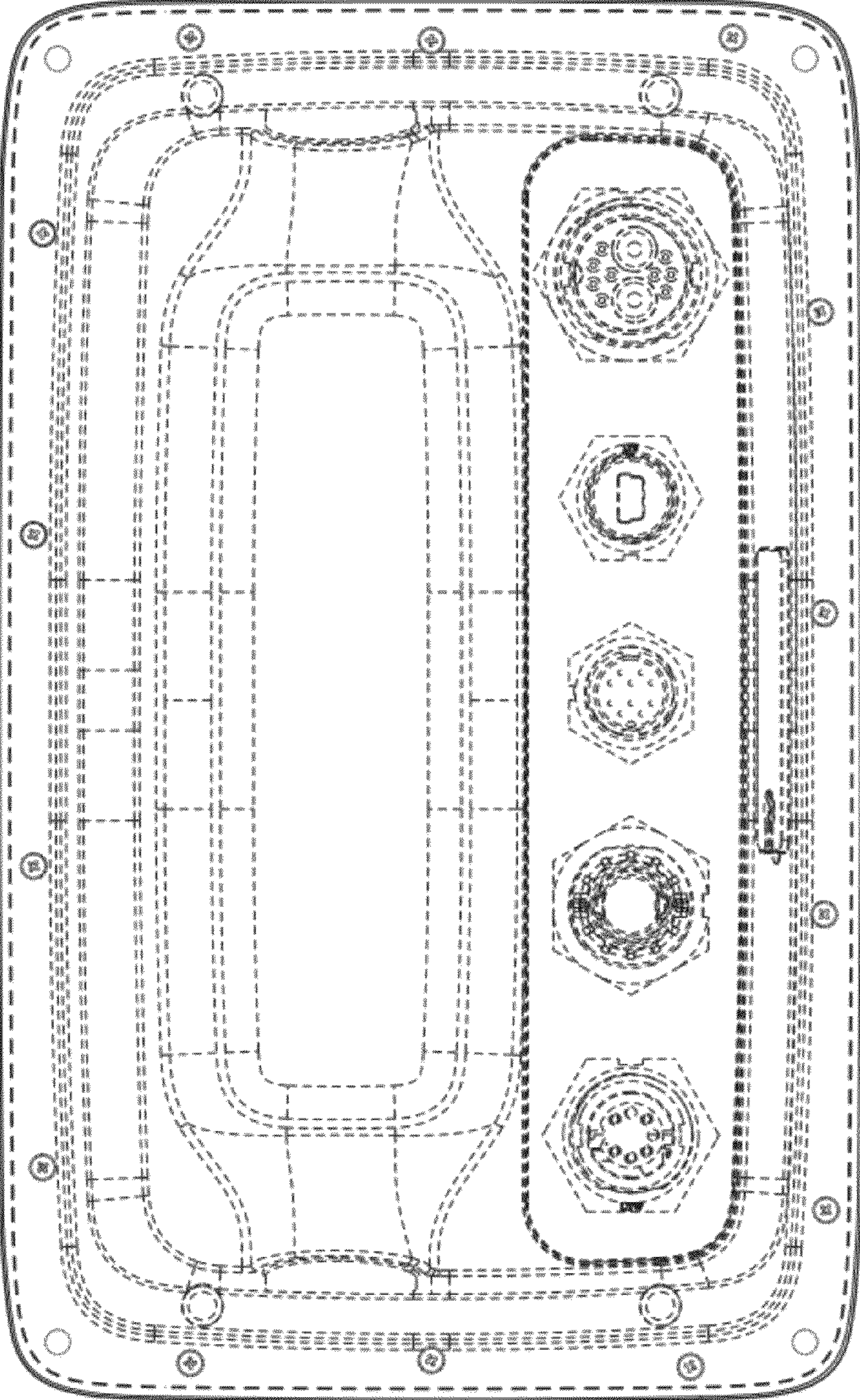


FIG. 3

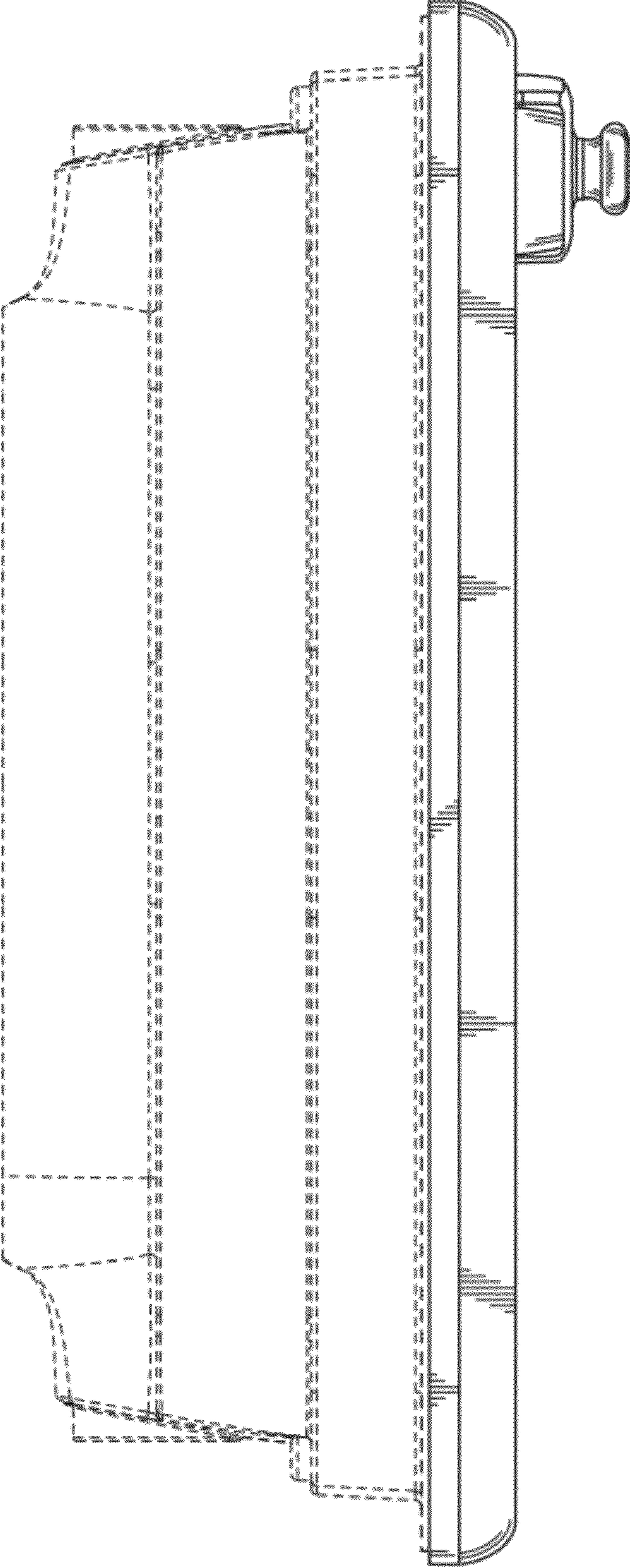


FIG. 4

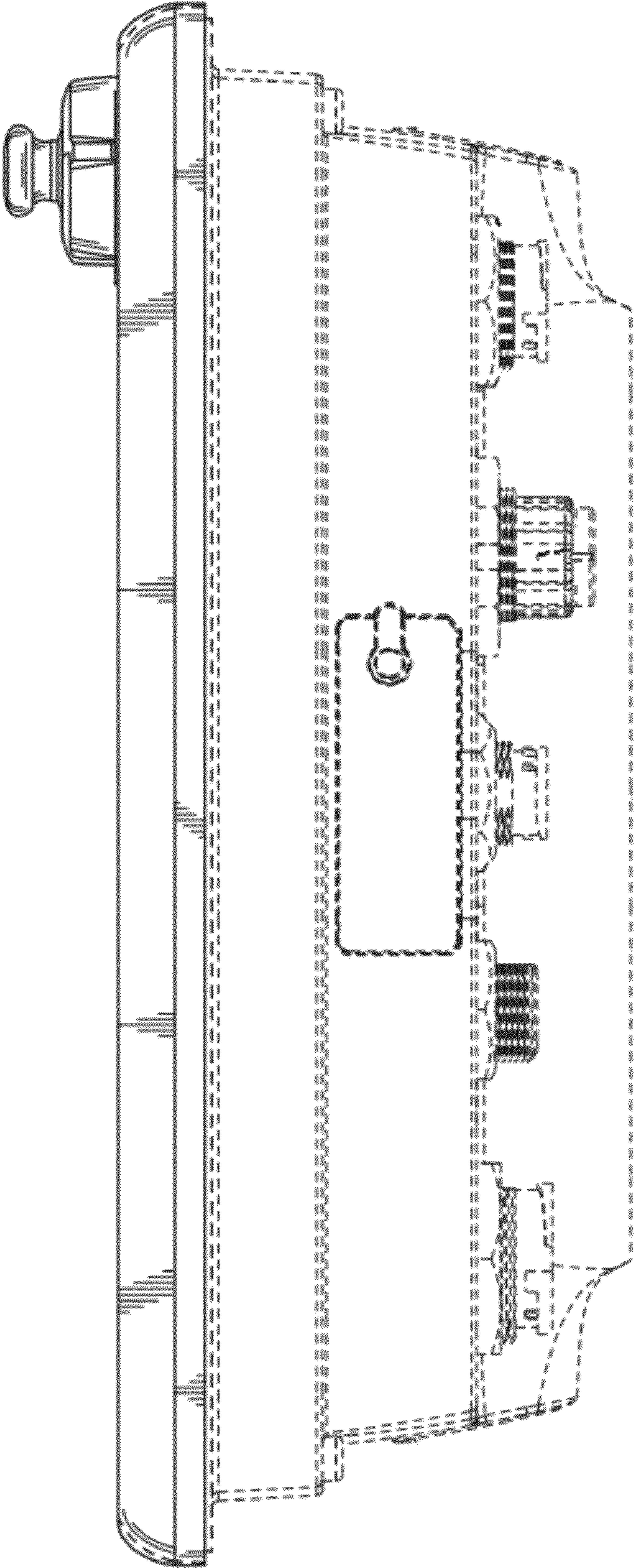


FIG. 5

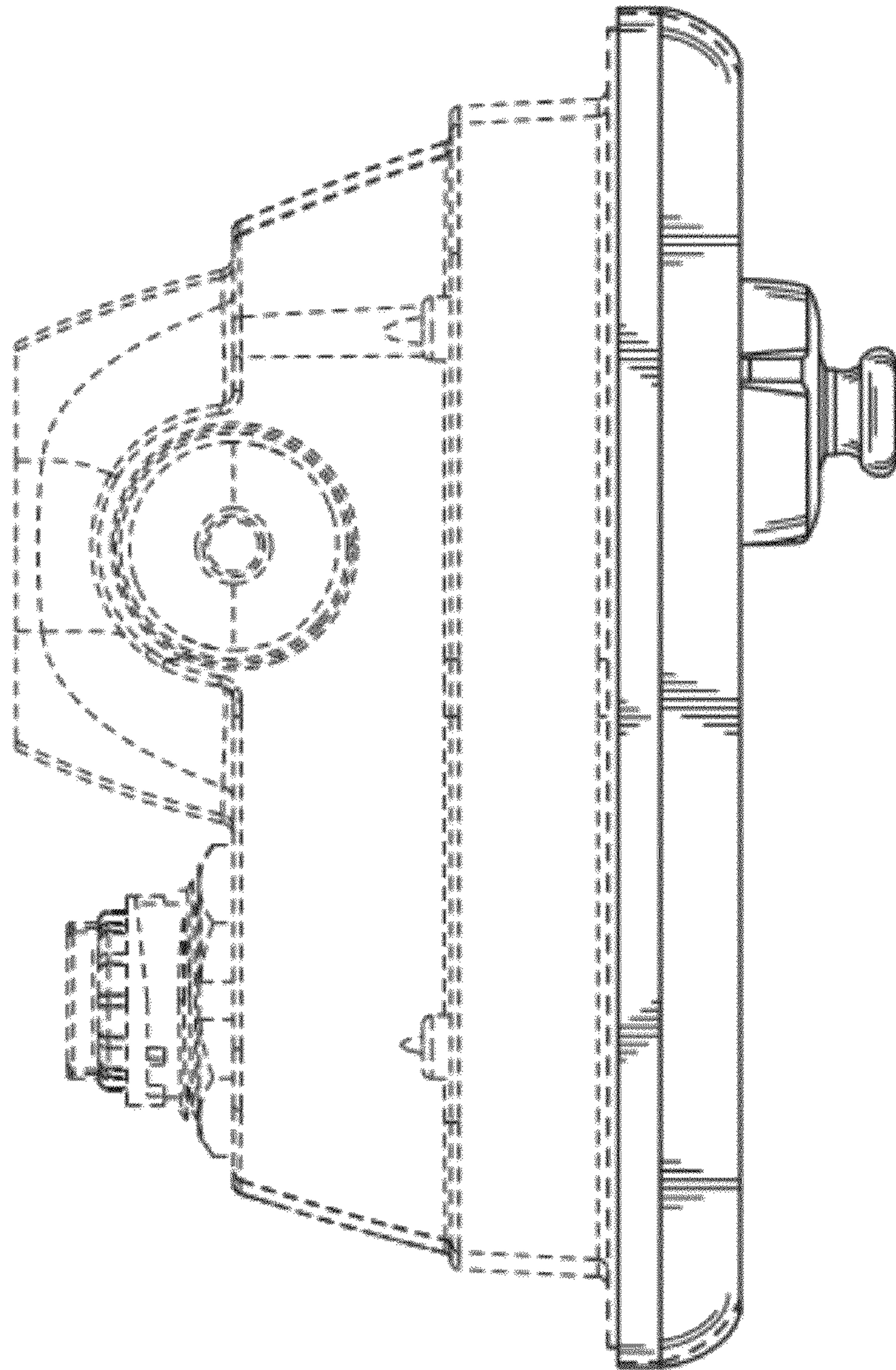


FIG. 6

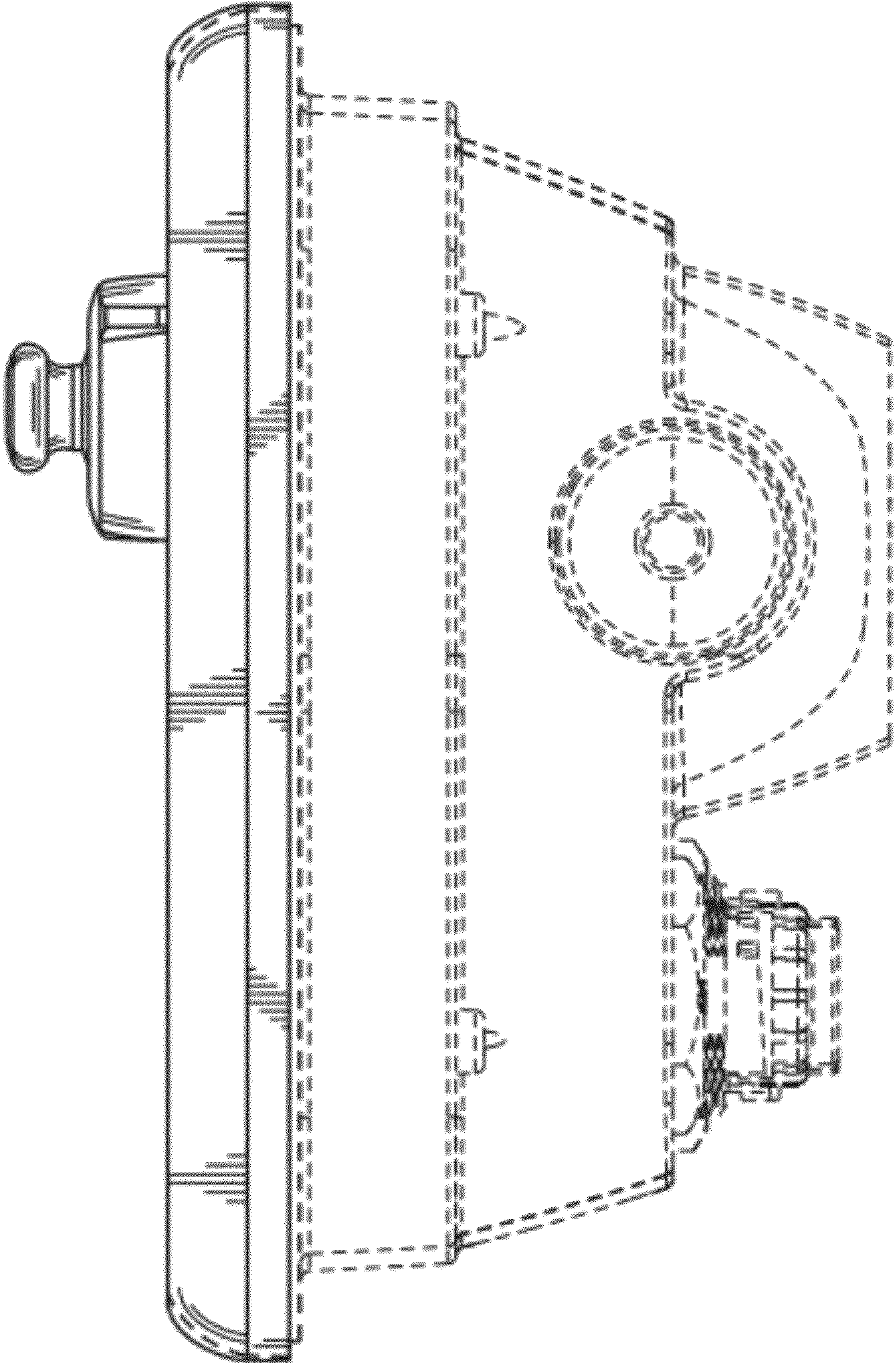


FIG. 7