

US00D661330S

(12) **United States Design Patent**
Yu et al.

(10) **Patent No.:** **US D661,330 S**
(45) **Date of Patent:** **** Jun. 5, 2012**

(54) **IMAGE CAPTURE DEVICE**

(75) Inventors: **Chia-Ming Yu**, Taichung (TW);
Huan-Jung Lee, New Taipei (TW)

(73) Assignee: **Ability Enterprise Co., Ltd.**, Taipei (TW)

(**) Term: **14 Years**

(21) Appl. No.: **29/394,521**

(22) Filed: **Jun. 17, 2011**

(51) **LOC (9) Cl.** **16-01**

(52) **U.S. Cl.** **D16/202**

(58) **Field of Classification Search** D16/200,
D16/201, 202, 204, 208, 218; 348/373-376;
358/909.1; 396/535-541

See application file for complete search history.

(56) **References Cited**

U.S. PATENT DOCUMENTS

D548,255 S *	8/2007	Naito	D16/202
D570,889 S *	6/2008	Nakajima	D16/202
D585,083 S *	1/2009	Nakajima	D16/202
D601,604 S *	10/2009	Kim	D16/202

D609,731 S *	2/2010	Yagi	D16/202
D610,179 S *	2/2010	Tajima	D16/202
D631,078 S *	1/2011	Nohara	D16/202
2006/0139457 A1 *	6/2006	Liao	348/373

* cited by examiner

Primary Examiner — Adir Aronovich

(74) *Attorney, Agent, or Firm* — Rabin & Berdo, P.C.

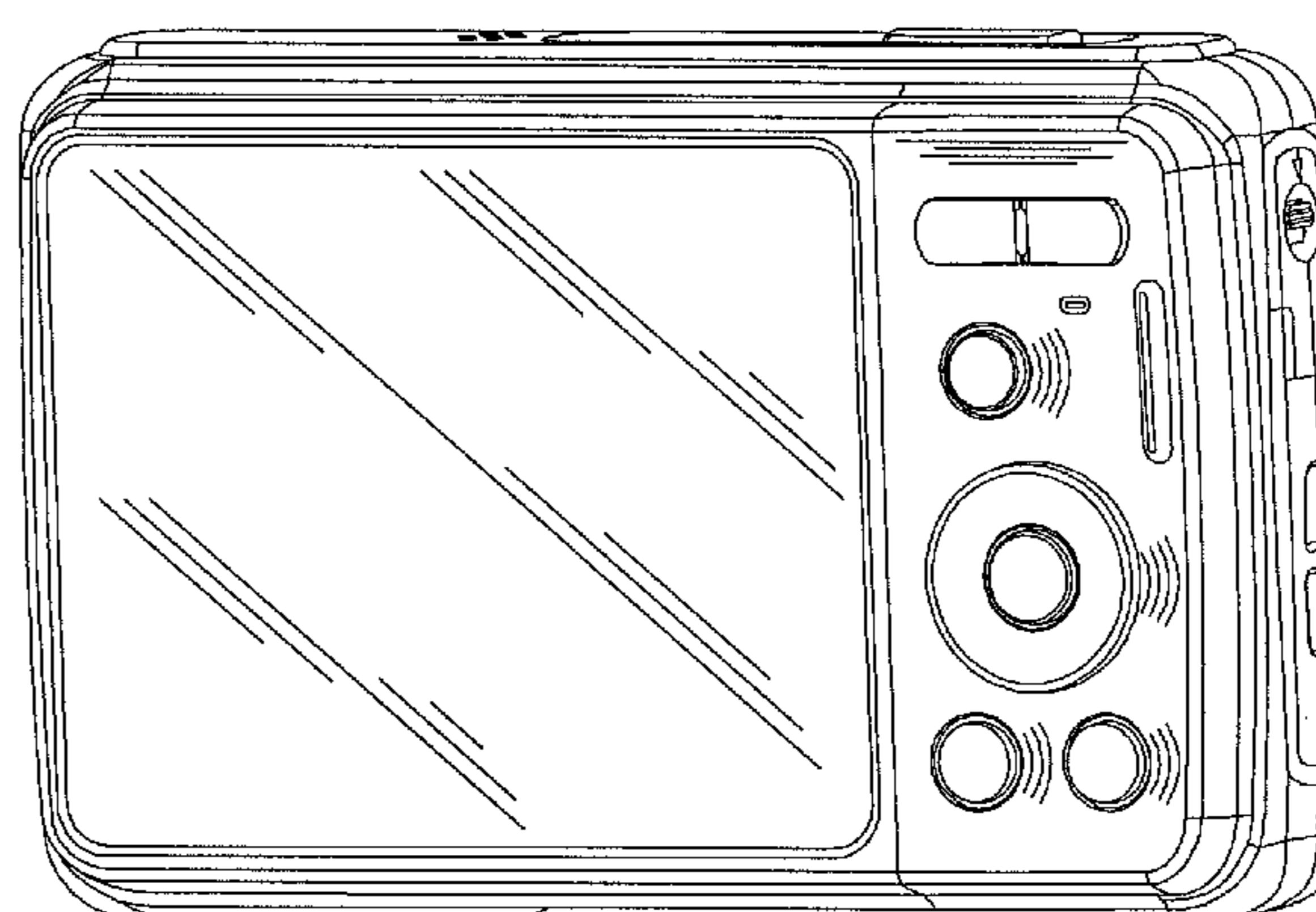
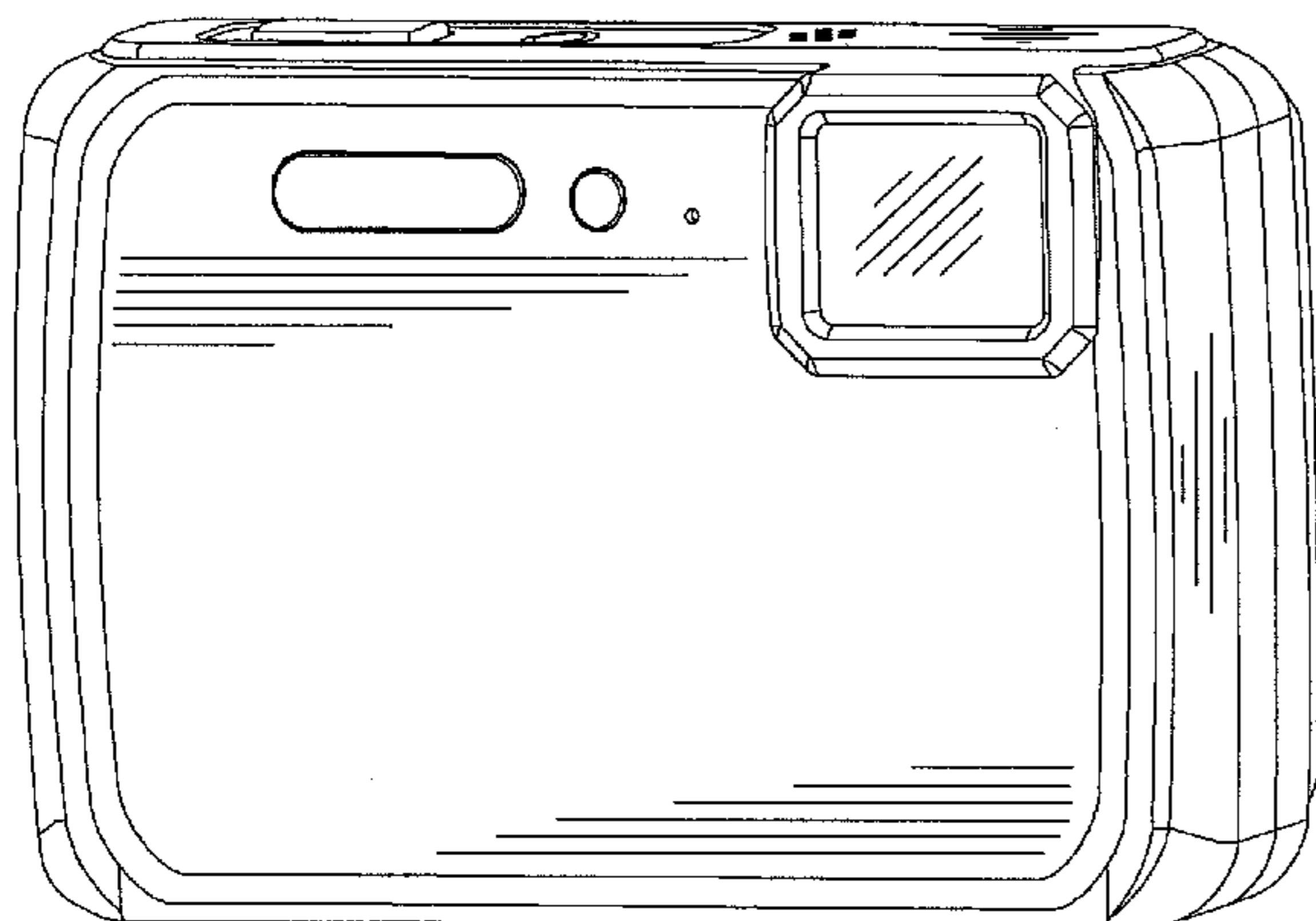
(57) **CLAIM**

The ornamental design for an image capture device, as shown and described.

DESCRIPTION

FIG. 1 is a perspective view of the front, top and right side of an image capture device showing my new design;
FIG. 2 is a front elevational view thereof;
FIG. 3 is a left side elevational view thereof;
FIG. 4 is a right side elevational view thereof;
FIG. 5 is a top plan view thereof;
FIG. 6 is a bottom plan view thereof;
FIG. 7 is a rear elevational view thereof; and,
FIG. 8 is a perspective view of the rear, top and left side thereof.

1 Claim, 5 Drawing Sheets



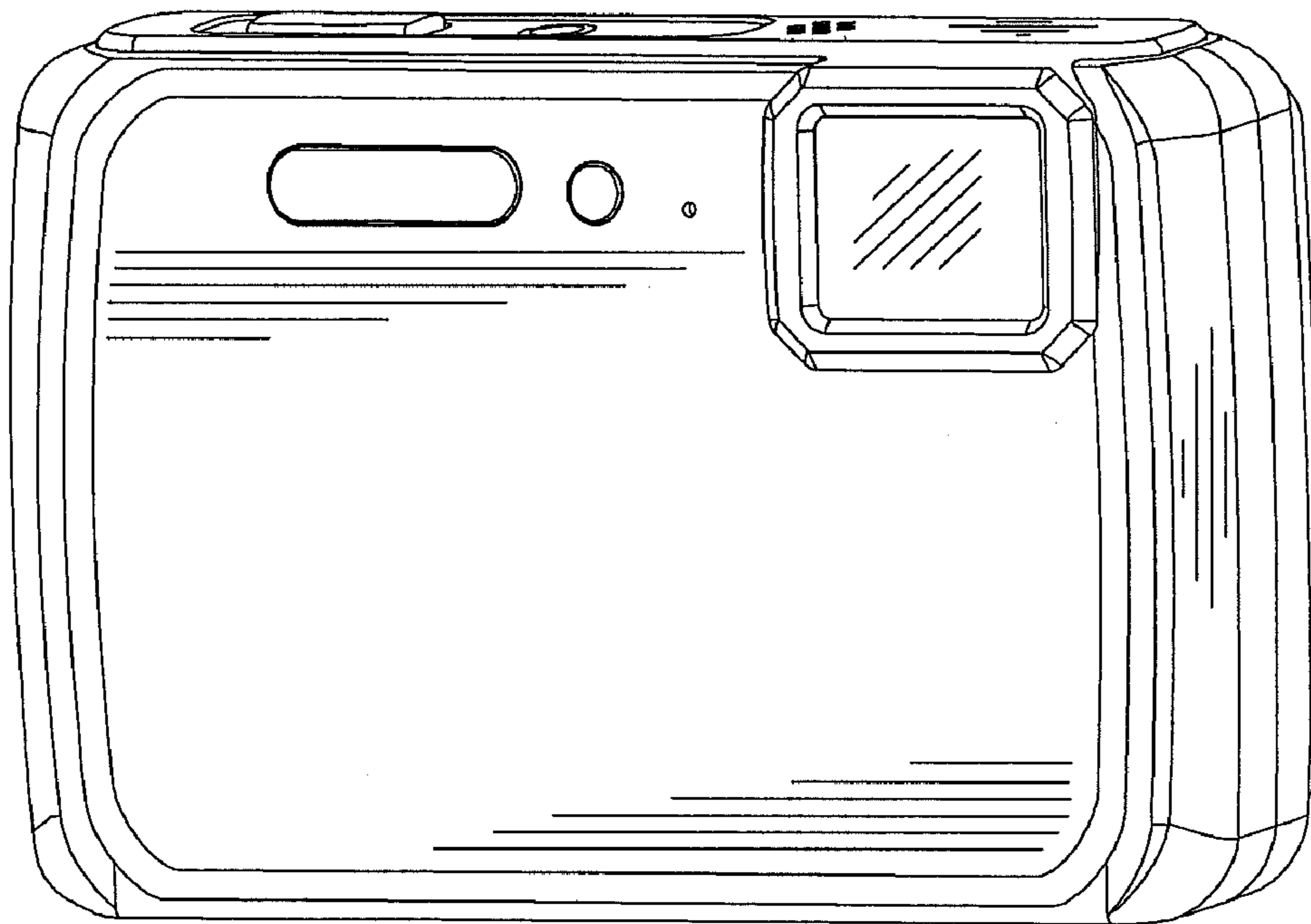


FIG. 1

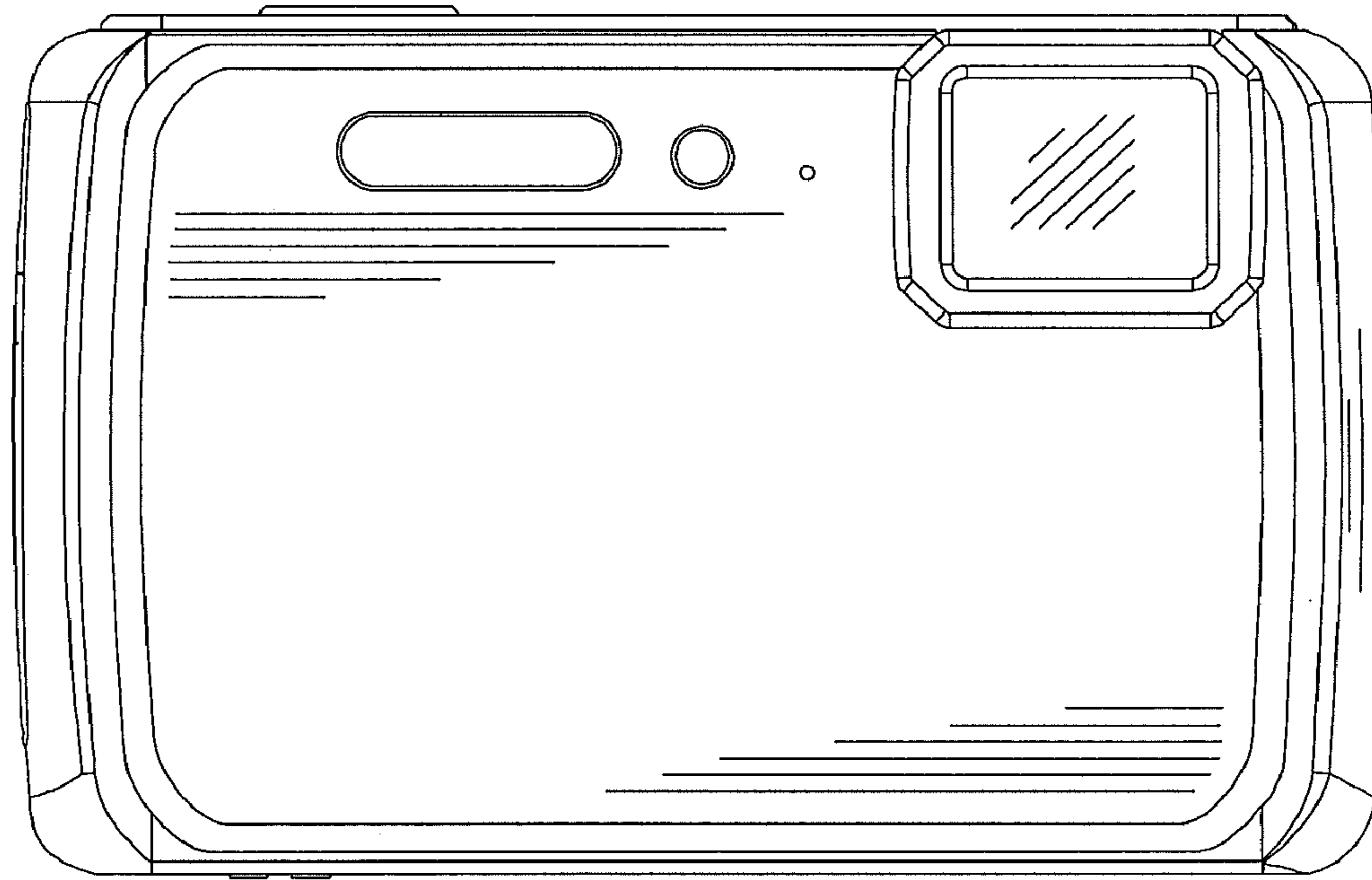


FIG. 2

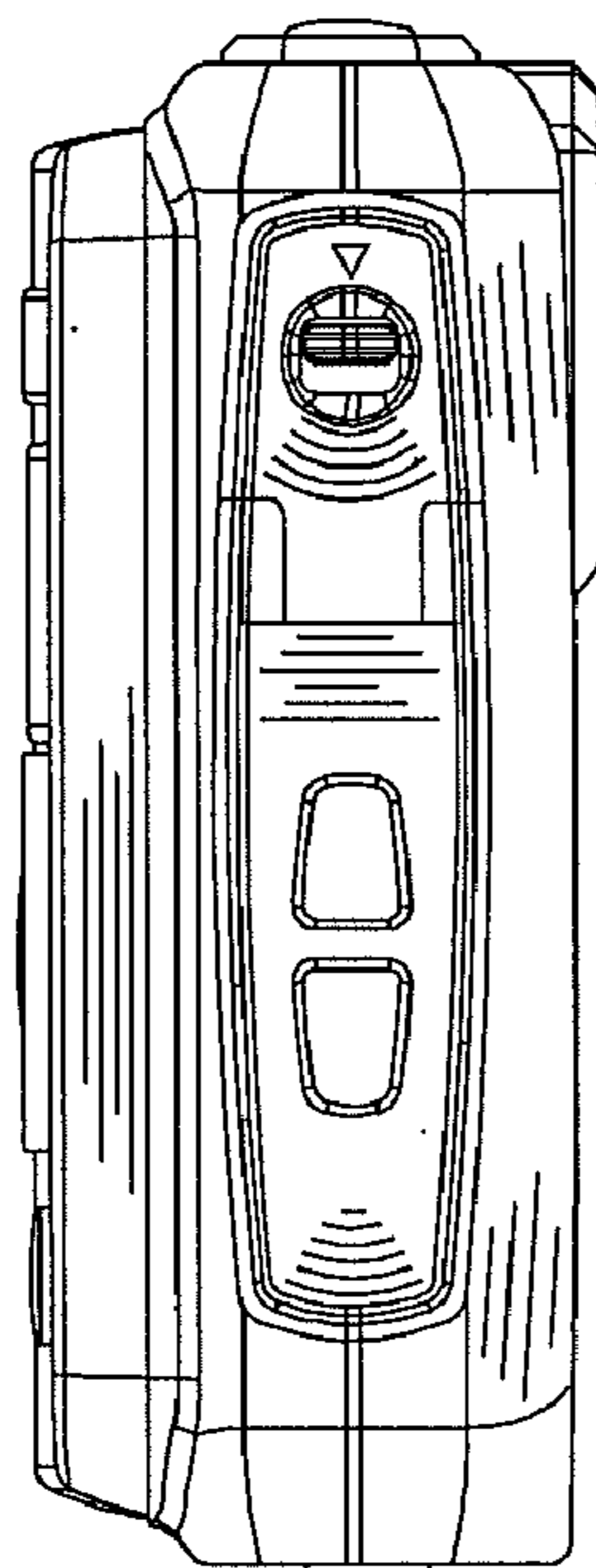


FIG. 3

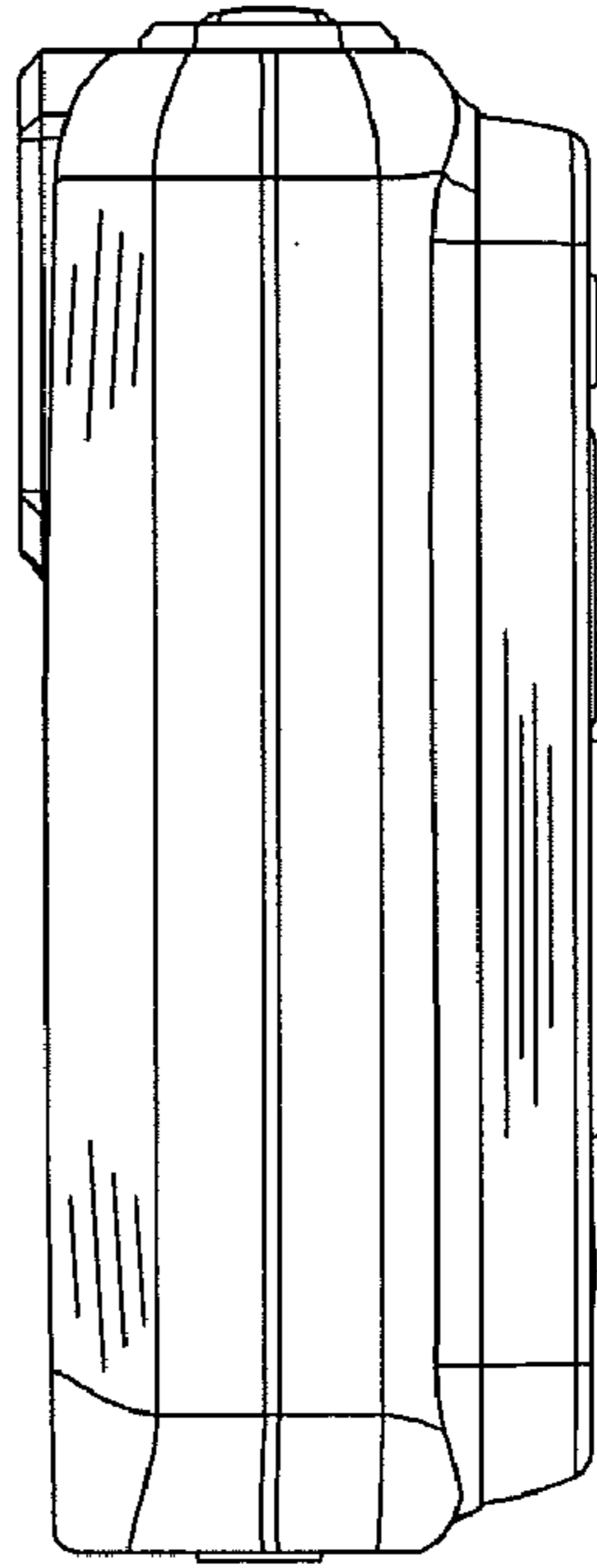


FIG. 4

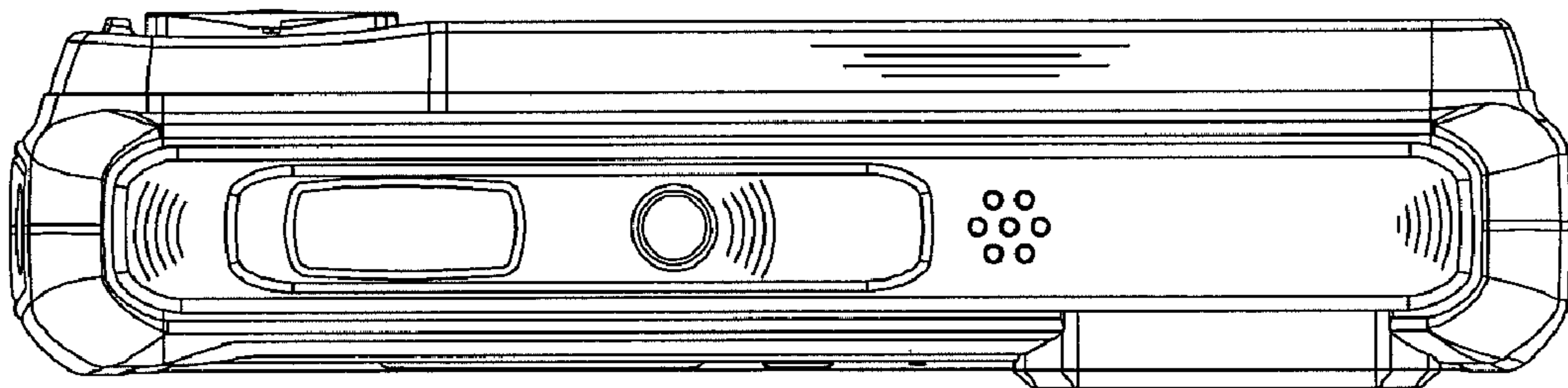


FIG. 5

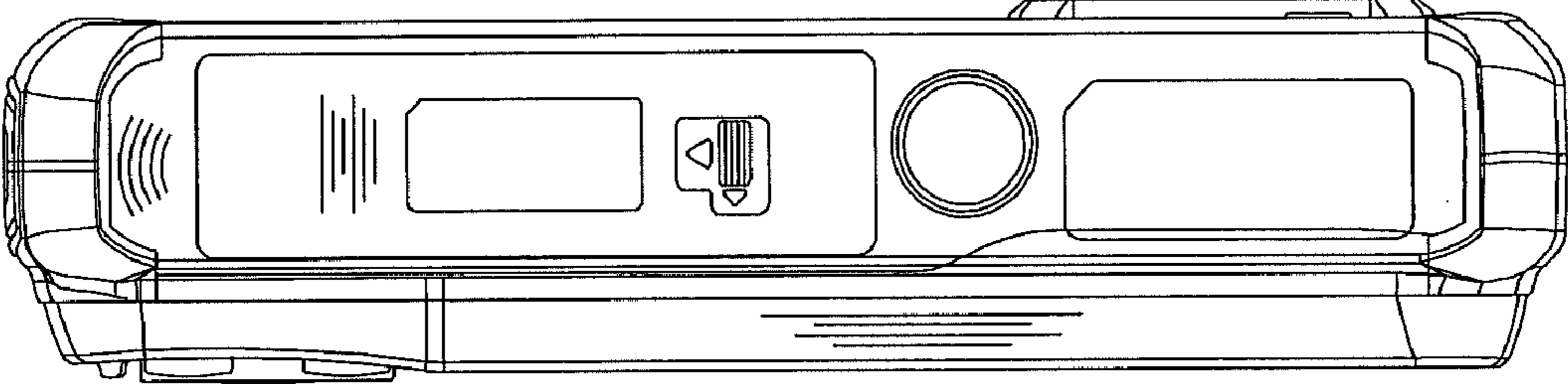


FIG. 6

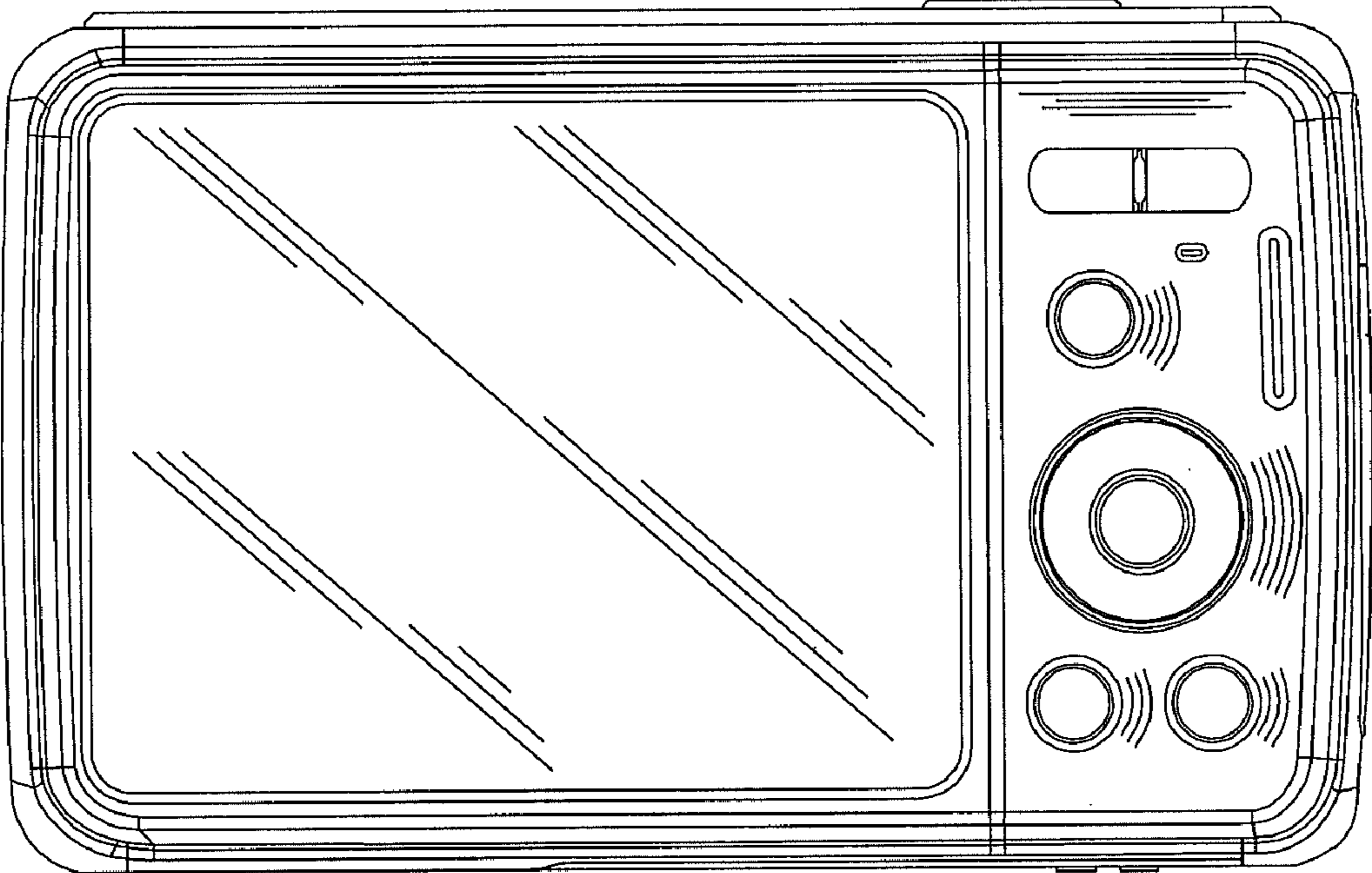


FIG. 7

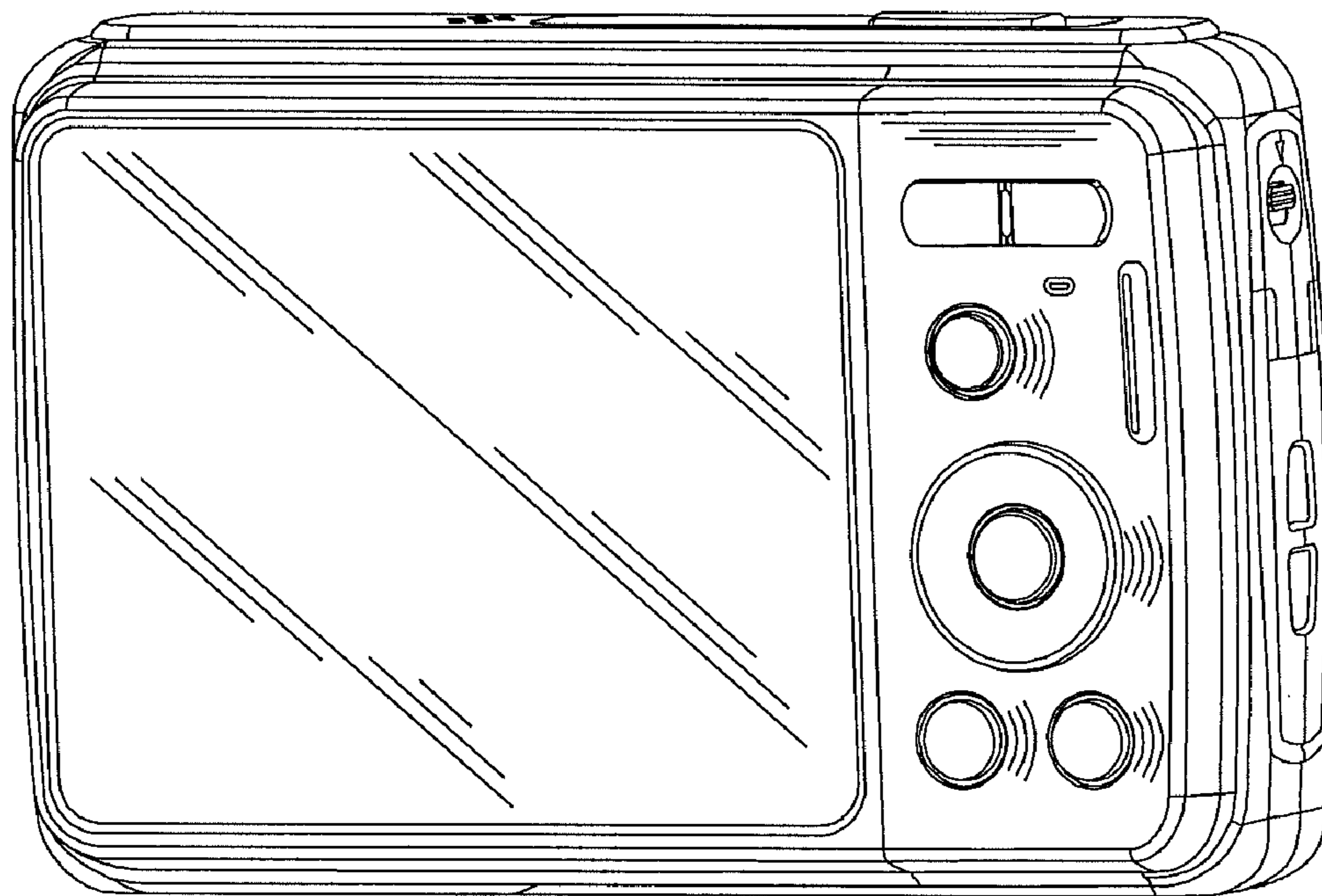


FIG. 8