

US00D661328S

(12) **United States Design Patent**
Liao

(10) **Patent No.:** **US D661,328 S**
(45) **Date of Patent:** **** Jun. 5, 2012**

(54) **OIL COLLECTOR**

(76) Inventor: **Ying-Chieh Liao**, Taichung (TW)

(**) Term: **14 Years**

(21) Appl. No.: **29/411,629**

(22) Filed: **Jan. 24, 2012**

(51) **LOC (9) Cl.** **20-02**

(52) **U.S. Cl.** **D15/152**

(58) **Field of Classification Search** D15/150,
D15/151, 152; D24/123; 4/450; 184/1.5,
184/29, 36, 42, 45.1, 55.1, 105.1, 106; 222/254,
222/256, 258, 359, 385, 389, 628; 280/32.6,
280/79.1 A; 417/417

See application file for complete search history.

(56) **References Cited**

U.S. PATENT DOCUMENTS

D216,058	S	*	11/1969	Painter et al.	D24/123
4,775,067	A	*	10/1988	Mount	220/573
D337,594	S	*	7/1993	Strauch	D15/152
D337,774	S	*	7/1993	Schillinger	D15/150
D342,531	S	*	12/1993	Commander et al.	D15/150
D360,642	S	*	7/1995	Loudon	D15/150
D374,447	S	*	10/1996	Brewer	D15/150
6,488,293	B1	*	12/2002	Mitchell et al.	280/47.34
D498,487	S	*	11/2004	Iwamasa et al.	D15/152
D569,970	S	*	5/2008	Kammer et al.	D24/123

D571,460	S	*	6/2008	Korjack	D24/123
7,637,337	B2	*	12/2009	Stranges	180/69.1
D623,198	S	*	9/2010	Lai	D15/5
D627,062	S	*	11/2010	Tanguay	D24/123
2002/0088670	A1	*	7/2002	Rice	184/106
2003/0024768	A1	*	2/2003	Jones	184/1.5

* cited by examiner

Primary Examiner — Patricia Palasik

(74) *Attorney, Agent, or Firm* — Muncy, Geissler, Olds & Lowe, PLLC

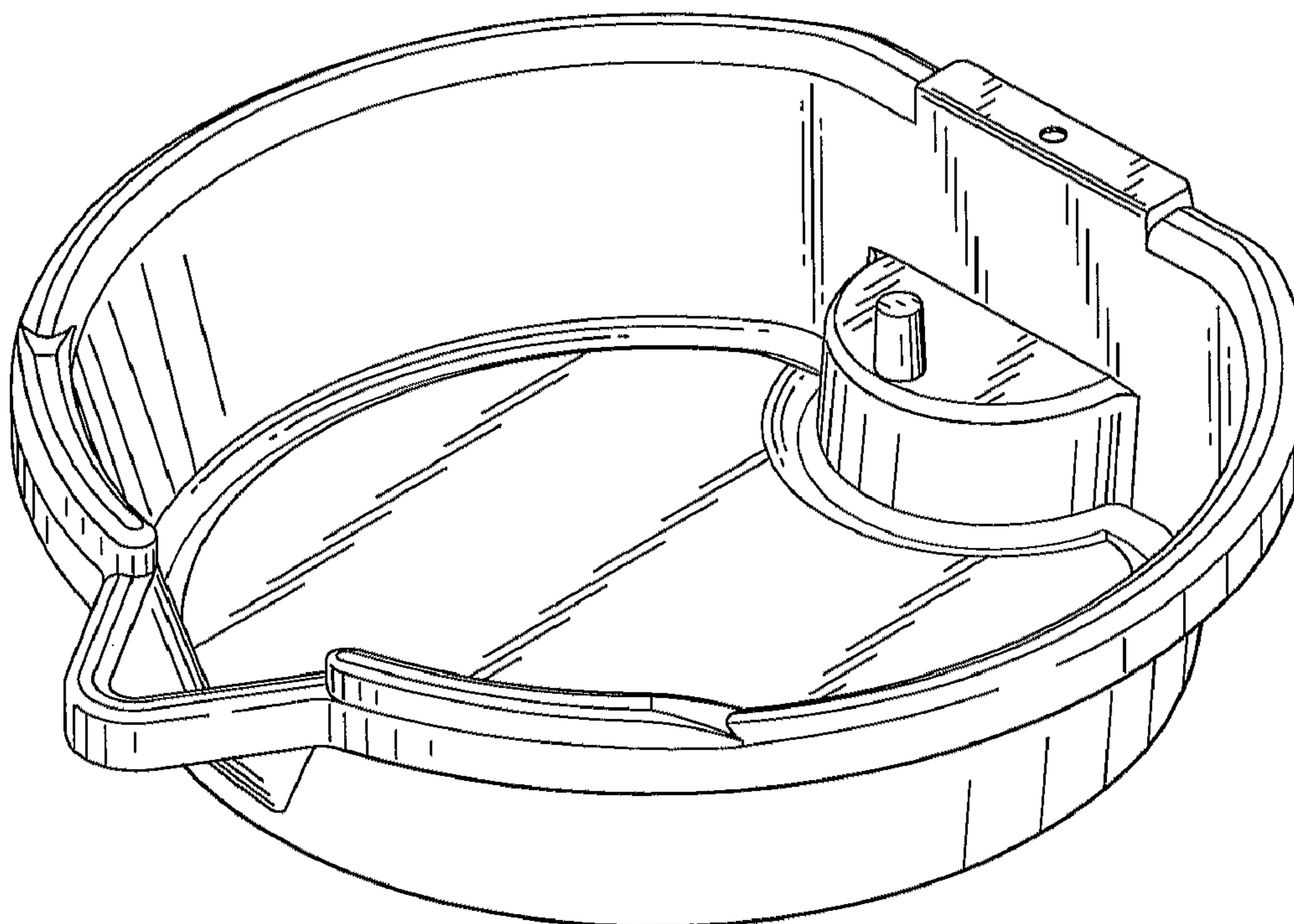
(57) **CLAIM**

I claim the ornamental design for an oil collector, as shown and described.

DESCRIPTION

FIG. 1 is a right, front perspective view of an oil collector showing my new design; FIG. 2 is a front view thereof; FIG. 3 is a rear view thereof; FIG. 4 is a left view thereof; FIG. 5 is a right view thereof; FIG. 6 is a top plan view thereof; FIG. 7 is a bottom plan view thereof; and, FIG. 8 is a left, rear perspective view.

1 Claim, 6 Drawing Sheets



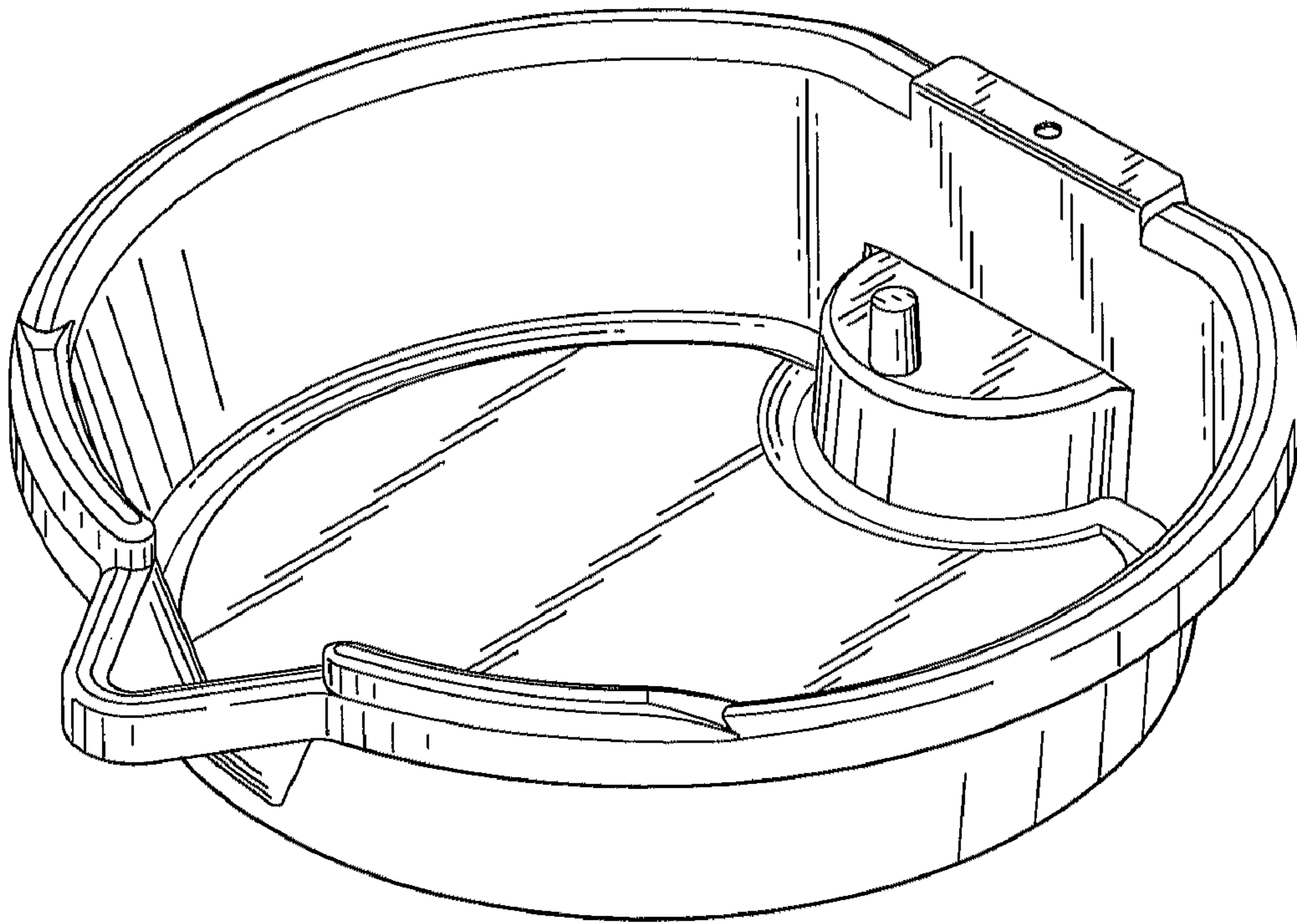


FIG. 1

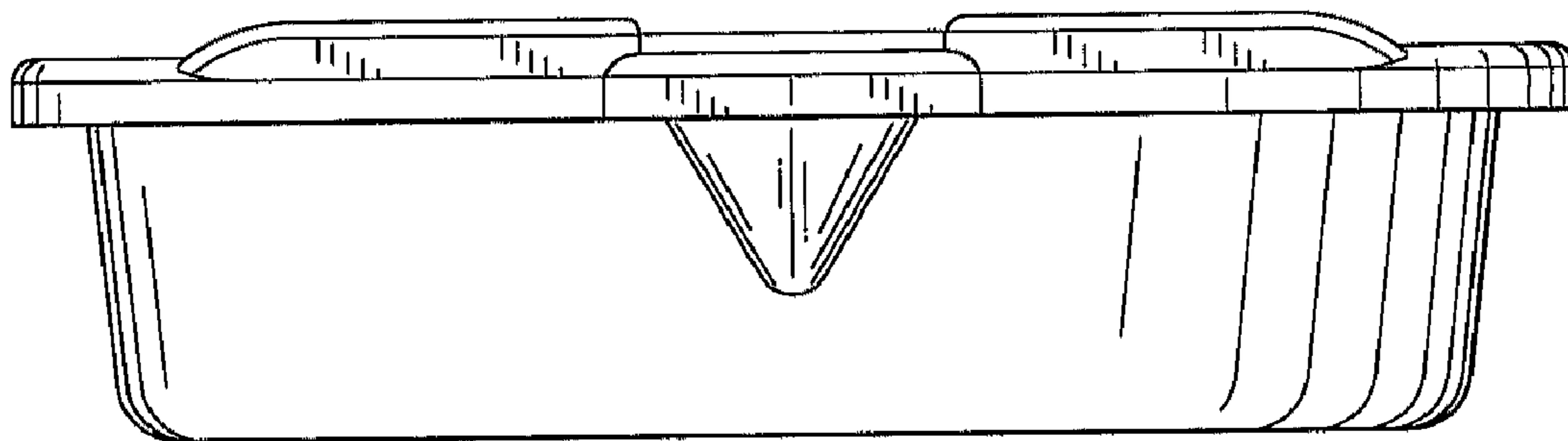


FIG. 2

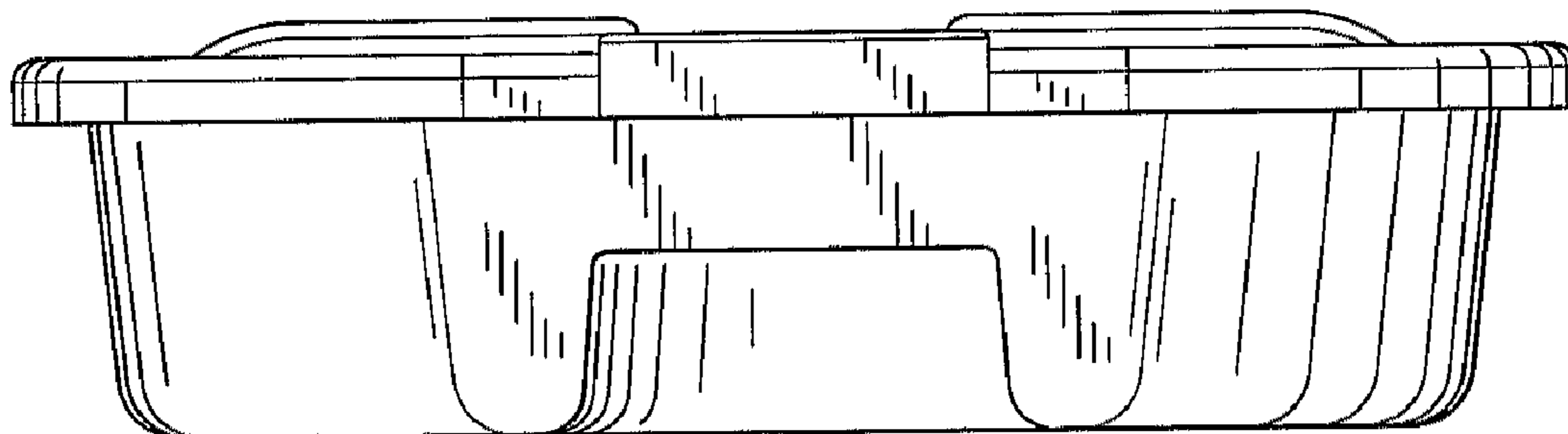


FIG. 3

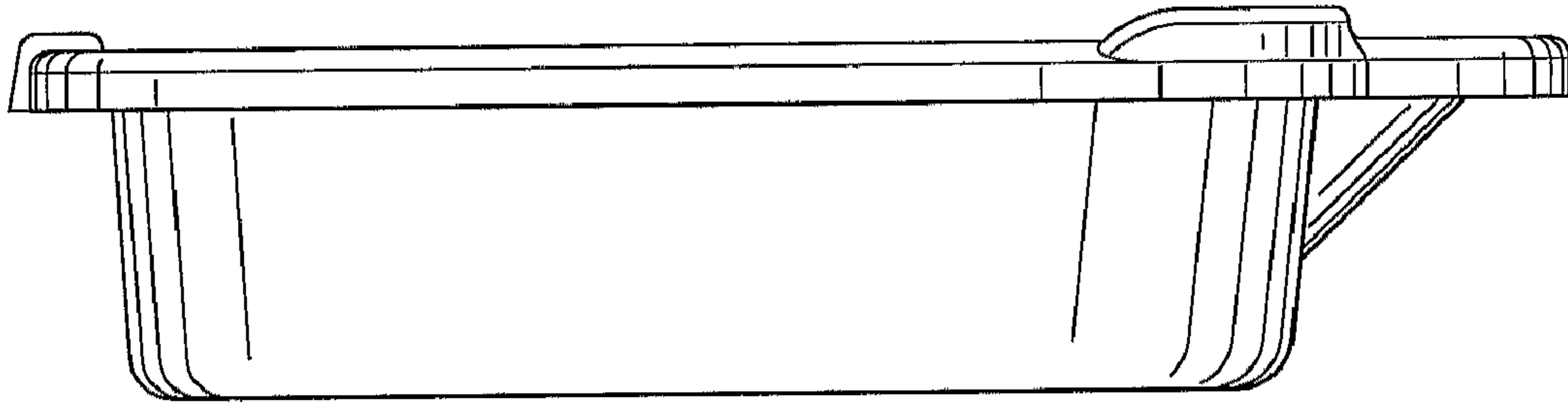


FIG. 4

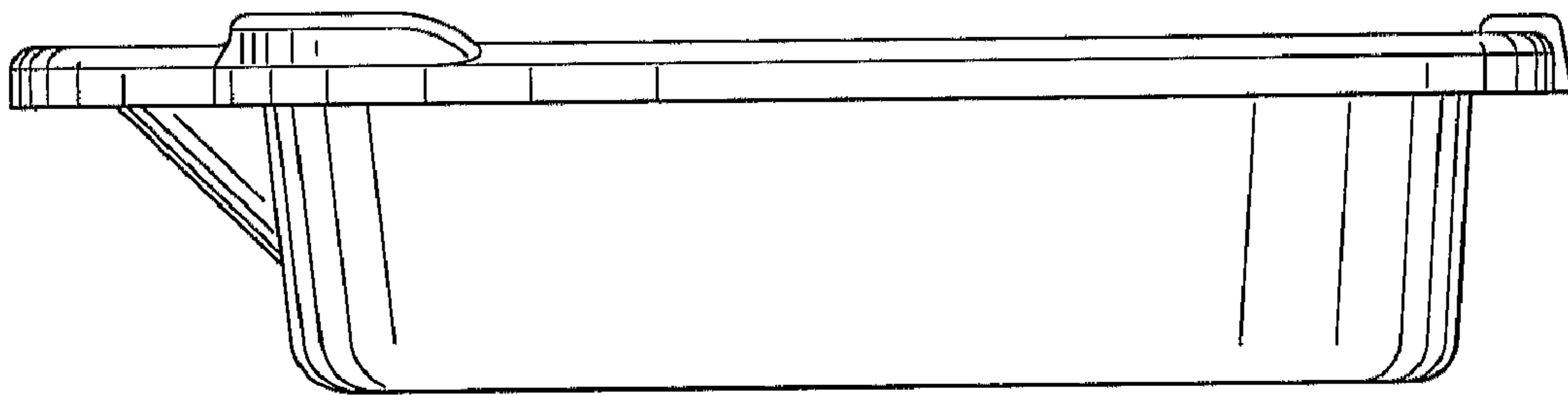


FIG. 5

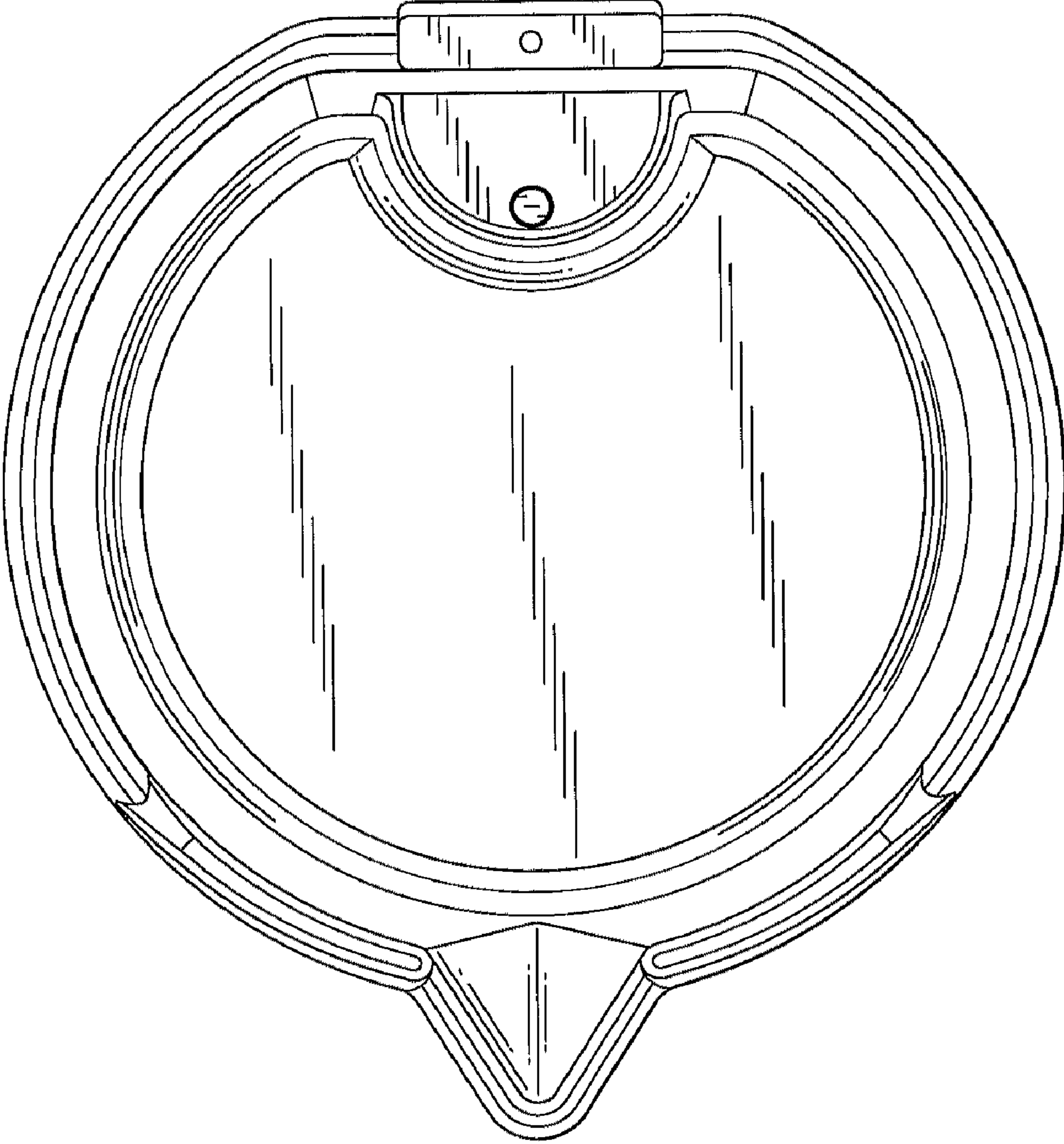


FIG. 6

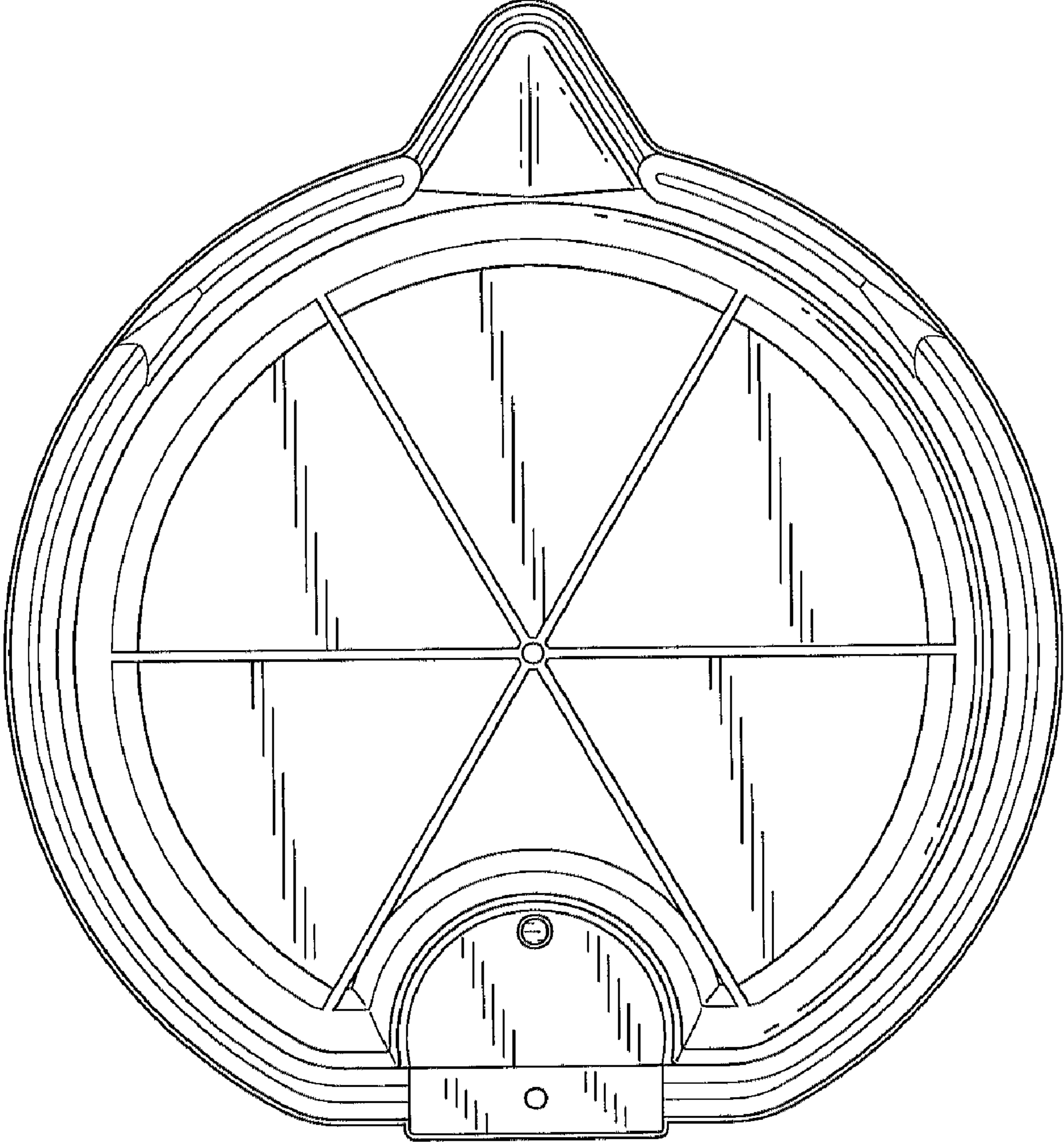


FIG. 7

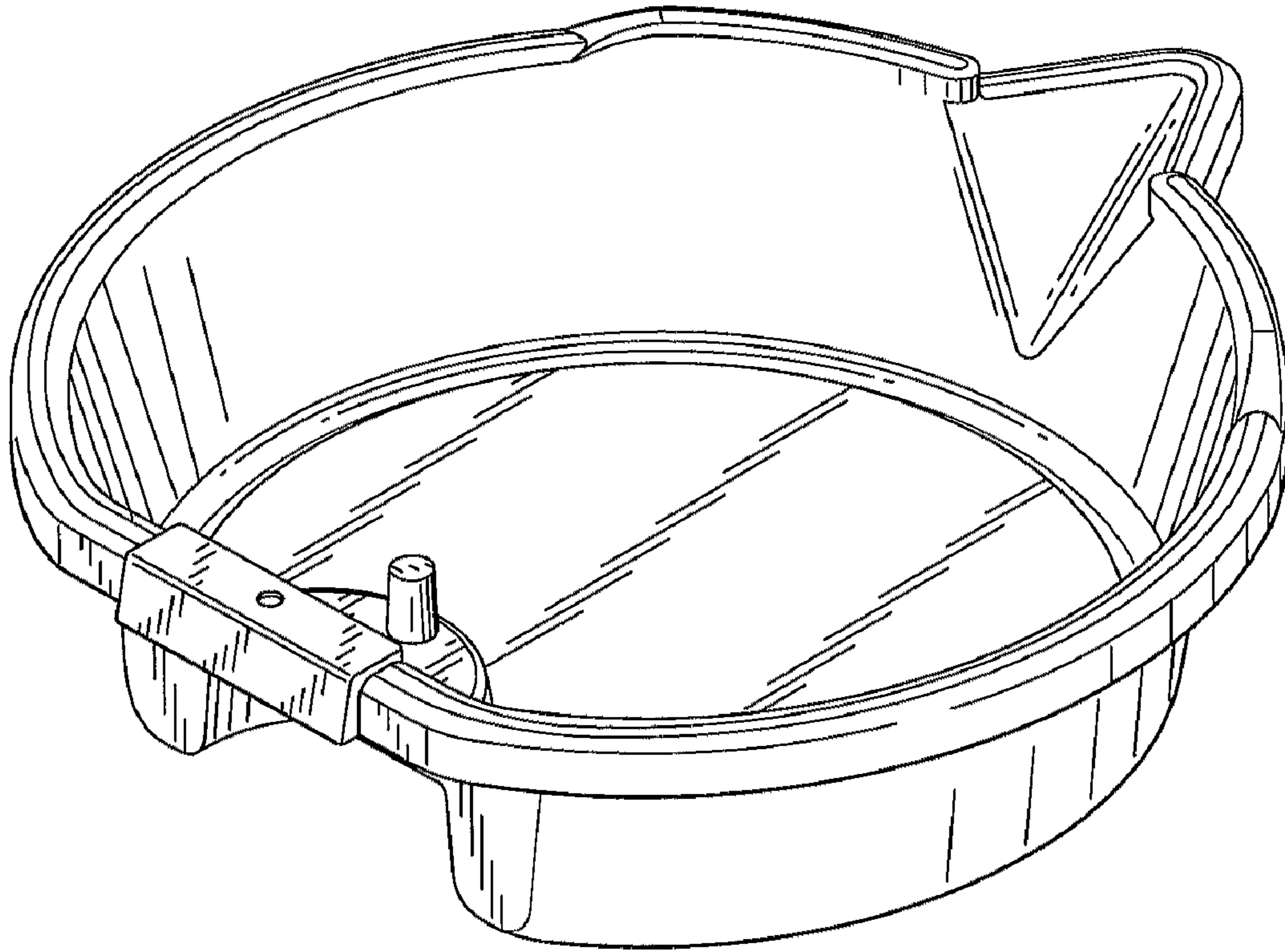


FIG. 8