

US00D661327S

(12) **United States Design Patent**  
**Wiltsie**

(10) **Patent No.:** **US D661,327 S**

(45) **Date of Patent:** **\*\* Jun. 5, 2012**

(54) **FILM PIERCER**

(75) Inventor: **Joshua D. Wiltsie**, Chaska, MN (US)

(73) Assignee: **Beckman Coulter, Inc.**, Brea, CA (US)

(\*\*) Term: **14 Years**

(21) Appl. No.: **29/411,181**

(22) Filed: **Jan. 18, 2012**

(51) **LOC (9) Cl.** ..... **15-99**

(52) **U.S. Cl.** ..... **D15/146**

(58) **Field of Classification Search** ..... D15/146;  
D24/130; 53/469, 478; 156/69, 253, 499,  
156/514, 58; 220/81, 284; 222/83, 83.5,  
222/89, 183, 518

See application file for complete search history.

(56) **References Cited**

**U.S. PATENT DOCUMENTS**

4,440,316	A *	4/1984	Christine	.....	222/83.5
4,516,691	A *	5/1985	Christine et al.	.....	222/83.5
4,695,337	A *	9/1987	Christine	.....	156/69
5,427,275	A *	6/1995	Hansen	.....	222/83
D581,049	S *	11/2008	Sudo	.....	D24/130

D639,903	S *	6/2011	Plotzitzka et al.	.....	D23/213
2007/0205216	A1 *	9/2007	Smith	.....	222/81
2009/0050596	A1 *	2/2009	Fuchs	.....	215/253
2010/0237075	A1 *	9/2010	Wilhelm	.....	220/284

\* cited by examiner

*Primary Examiner* — Patricia Palasik

(74) *Attorney, Agent, or Firm* — Michael L. Bell

(57) **CLAIM**

The ornamental design for a film piercer, as shown and described.

**DESCRIPTION**

FIG. 1 is a first perspective view of a film piercer illustrating my new design.

FIG. 2 is a second perspective view of the film piercer in FIG. 1.

FIG. 3 is a first side view of the film piercer in FIG. 1.

FIG. 4 is a front view of the film piercer in FIG. 1.

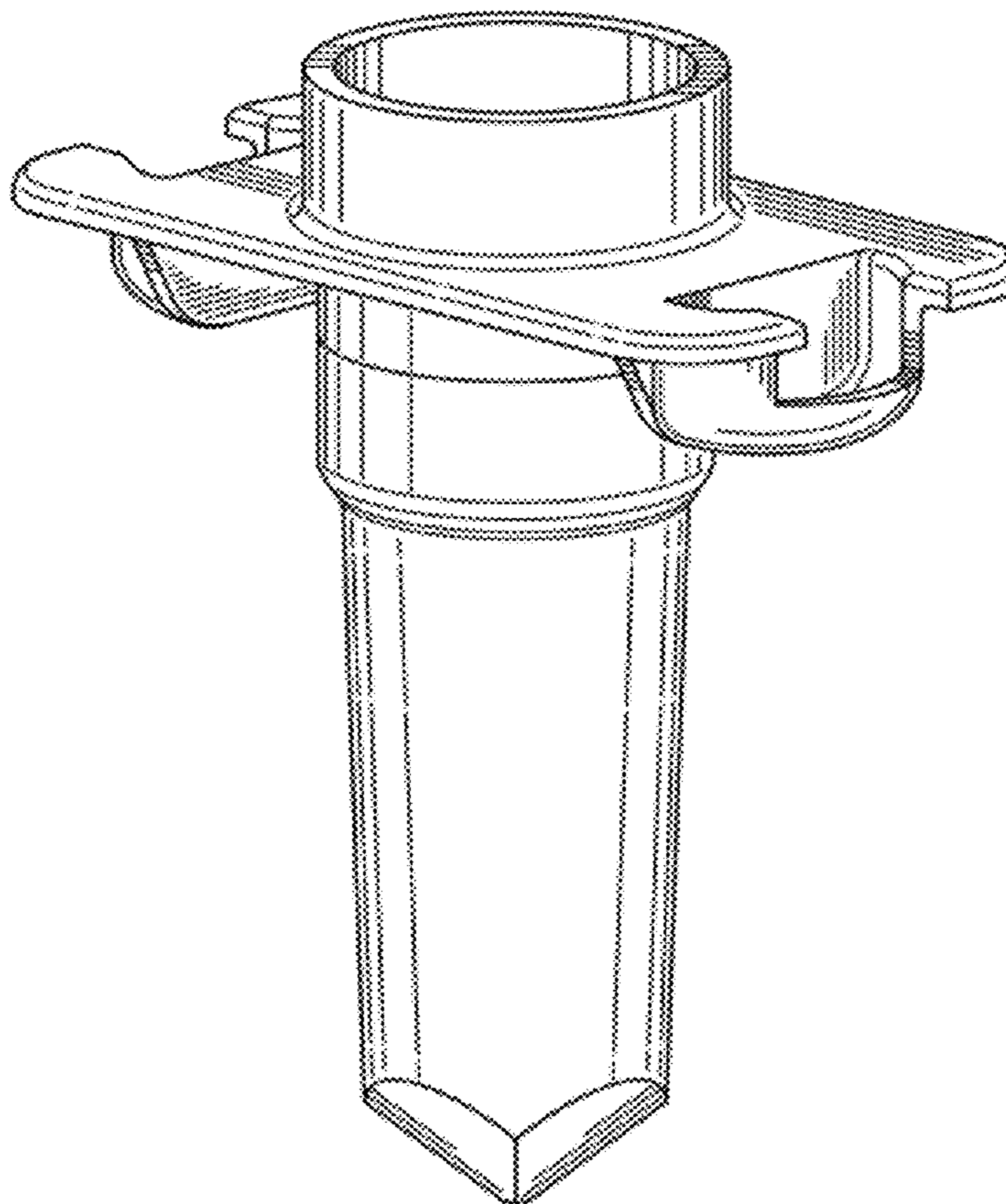
FIG. 5 is a second side view of the film piercer in FIG. 1.

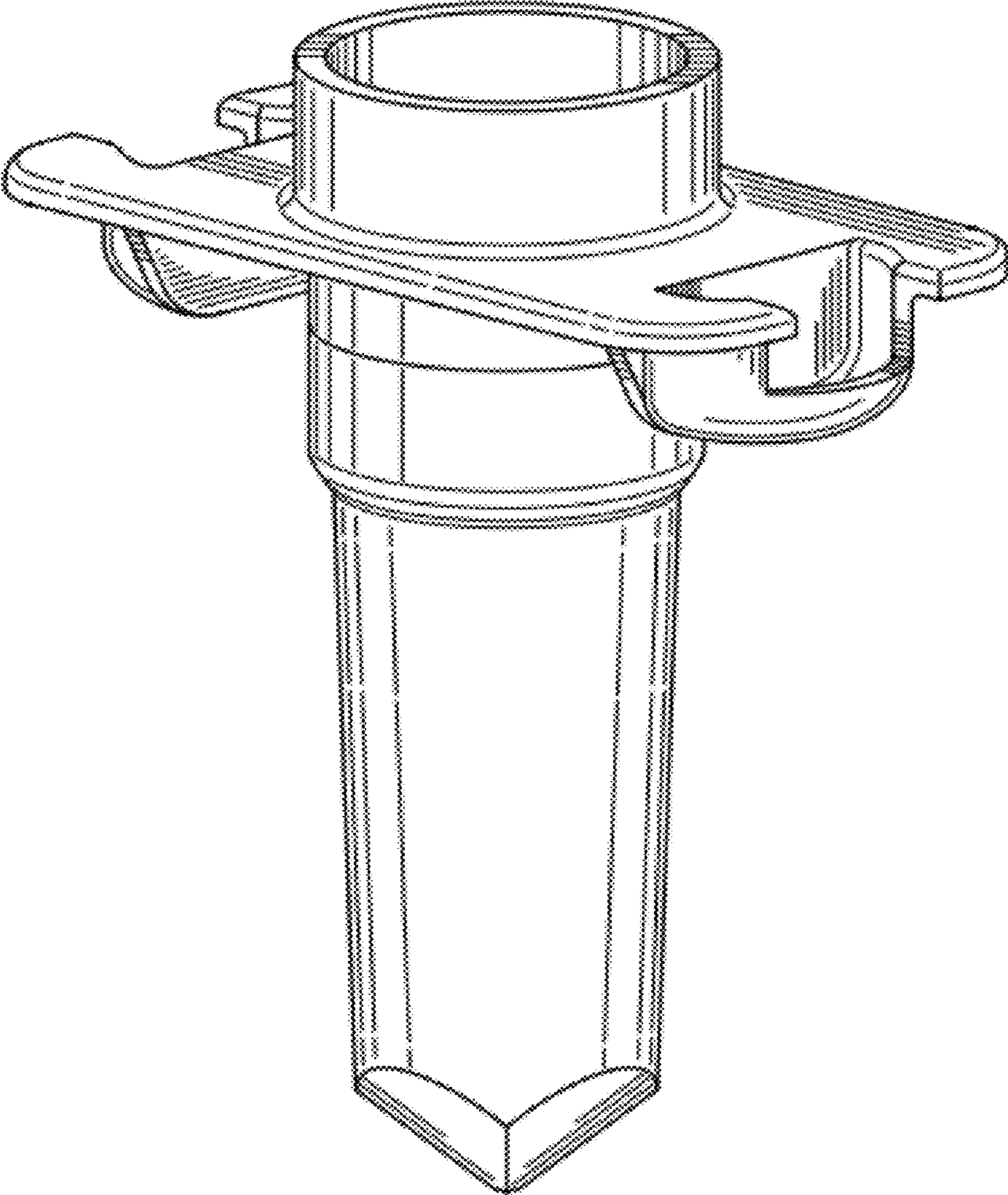
FIG. 6 is a back view of the film piercer in FIG. 1.

FIG. 7 is a top view of the film piercer in FIG. 1; and,

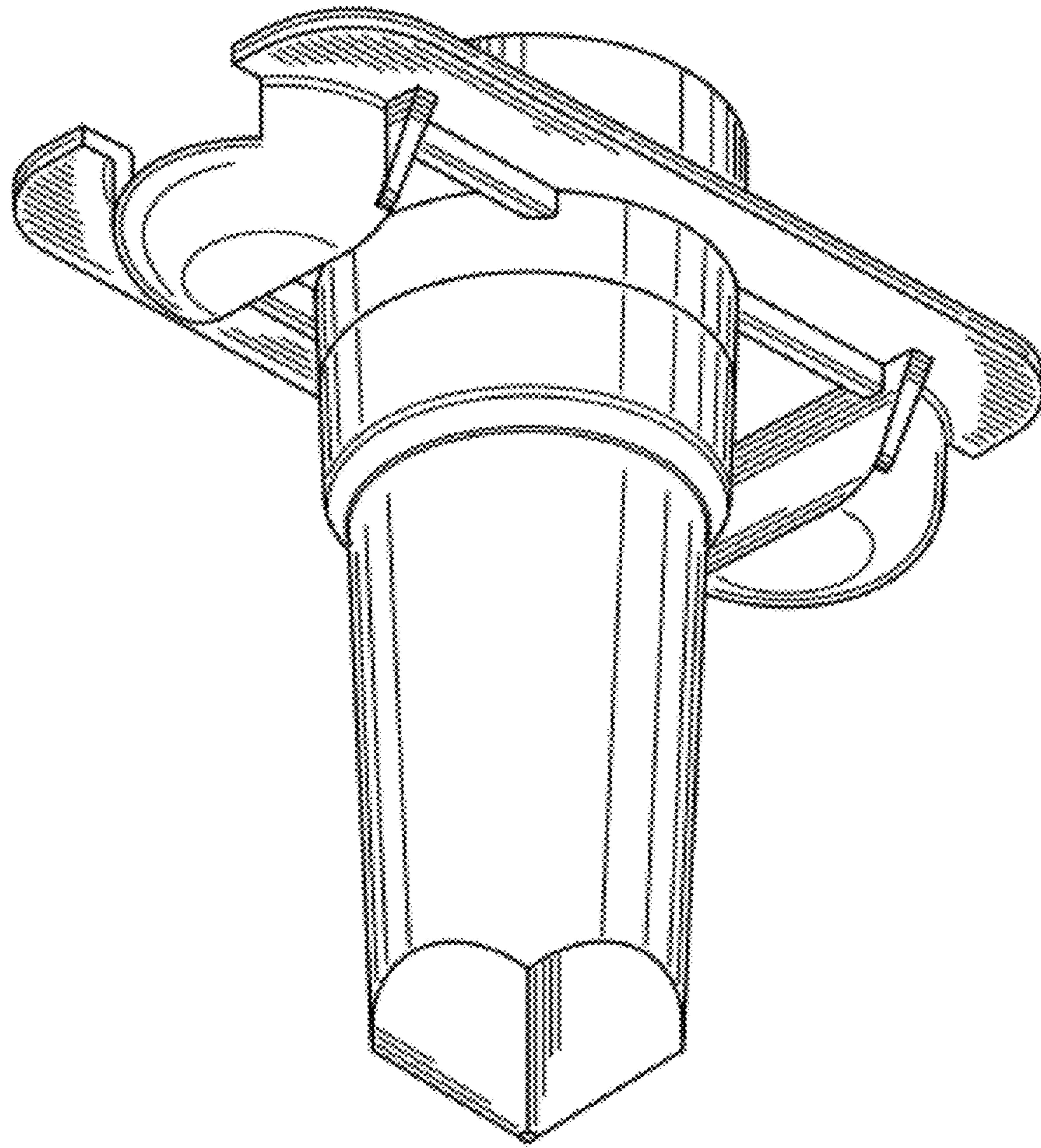
FIG. 8 is a bottom view of the film piercer in FIG. 1.

**1 Claim, 5 Drawing Sheets**





**FIG. 1**



**FIG. 2**

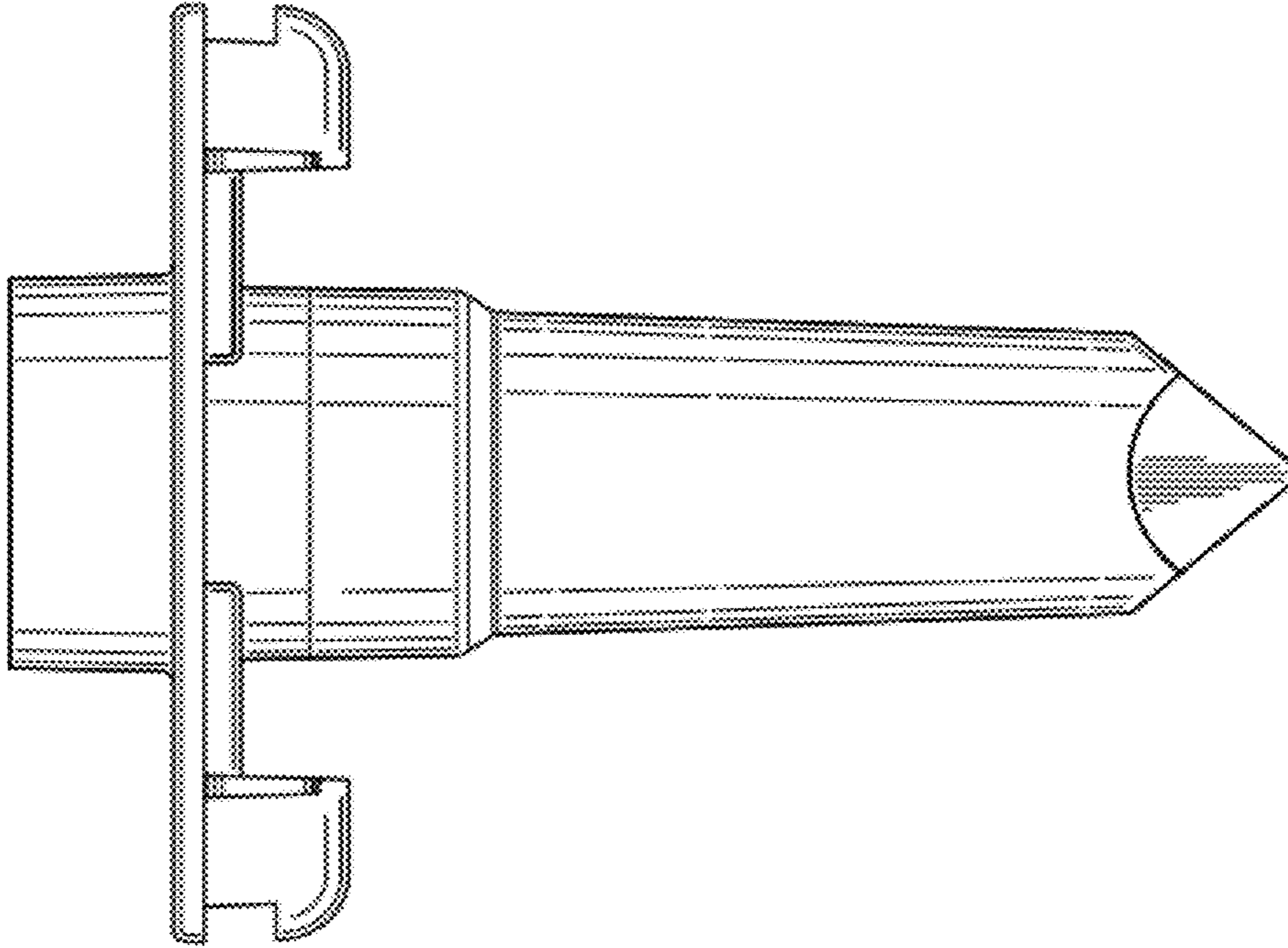


FIG. 4

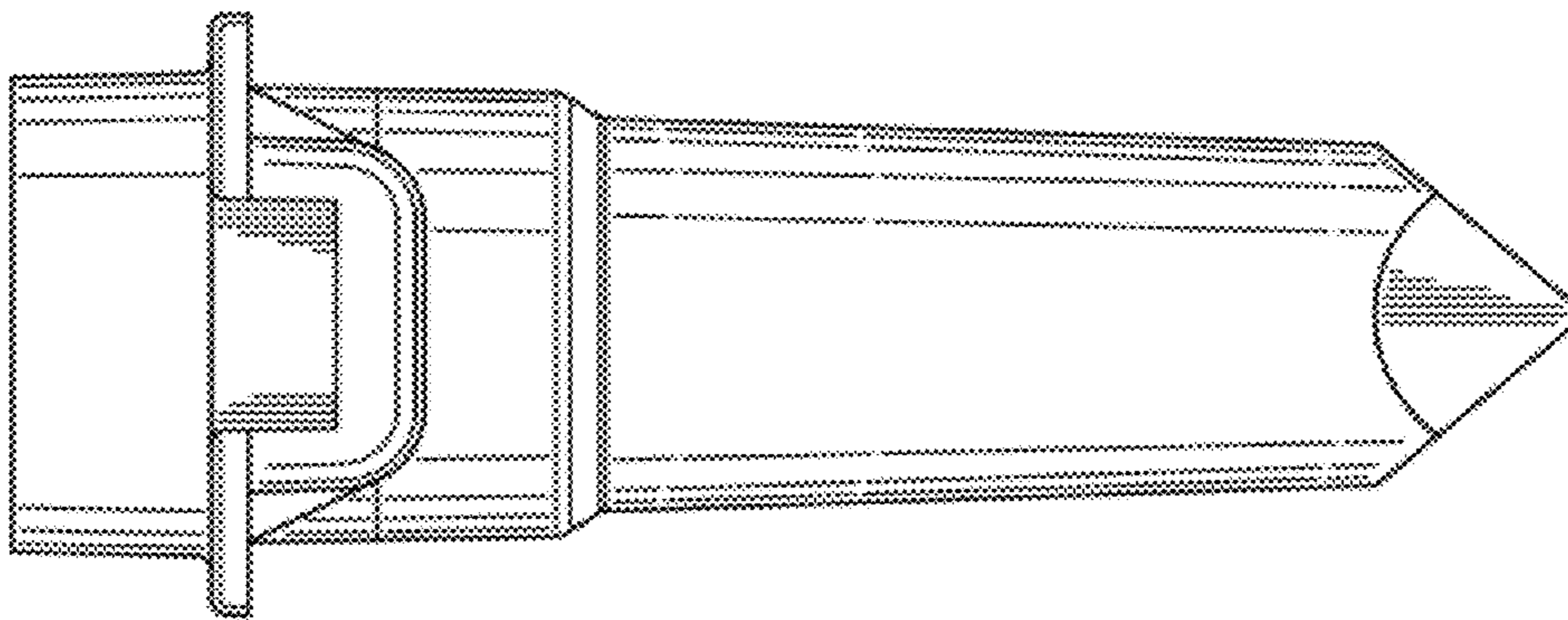


FIG. 3

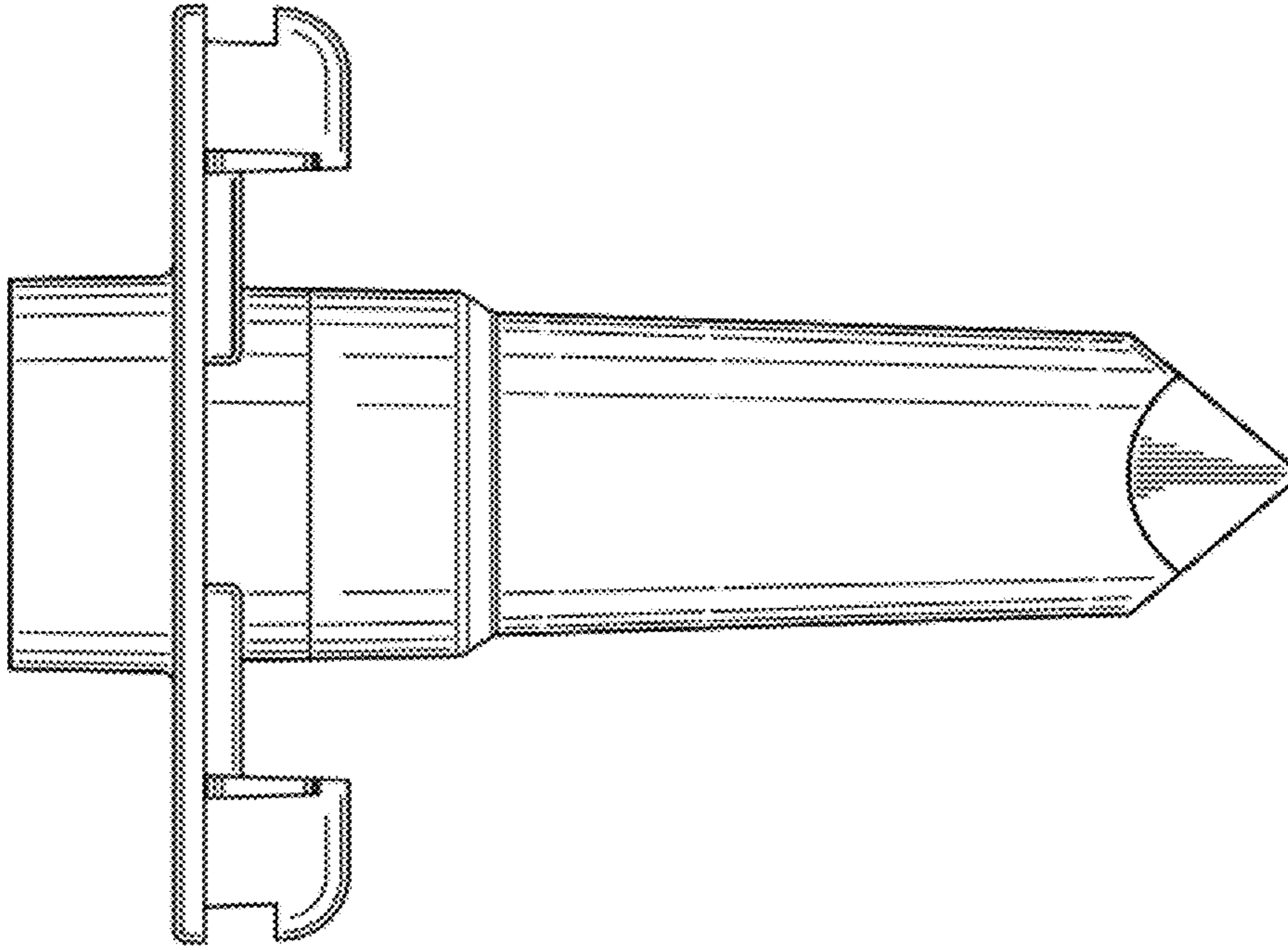


FIG. 6

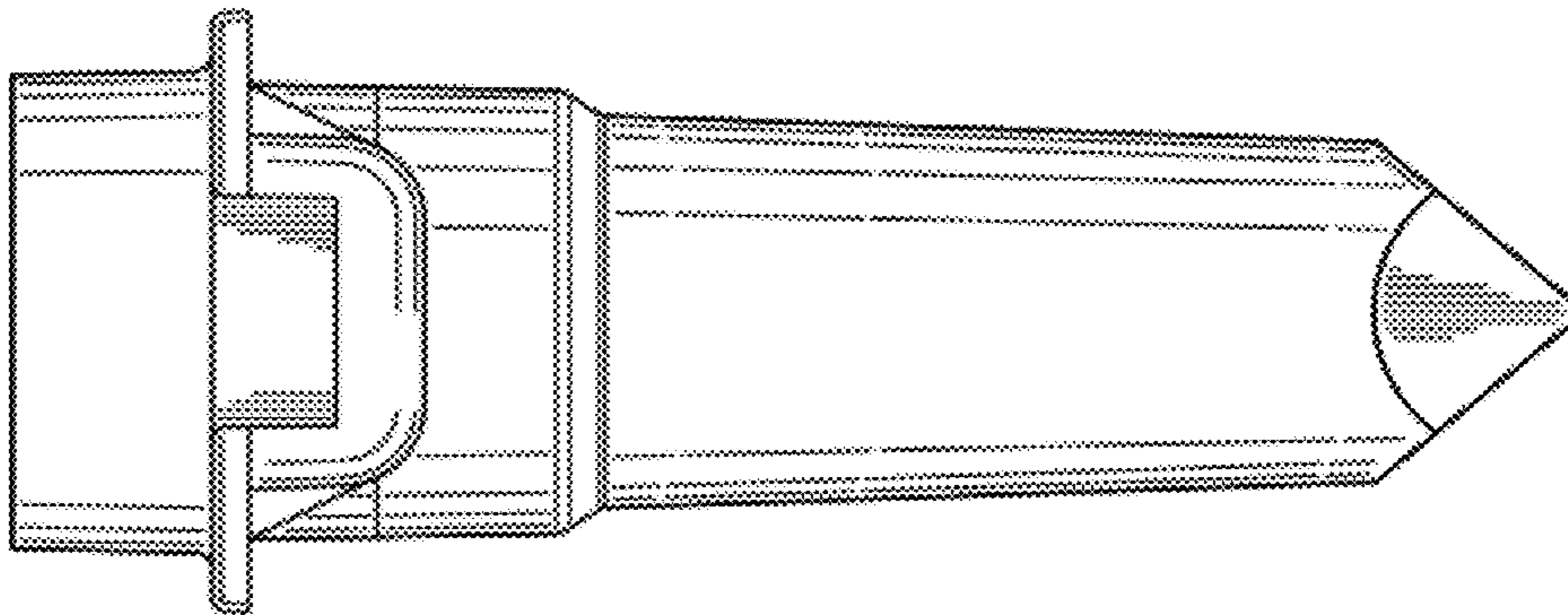
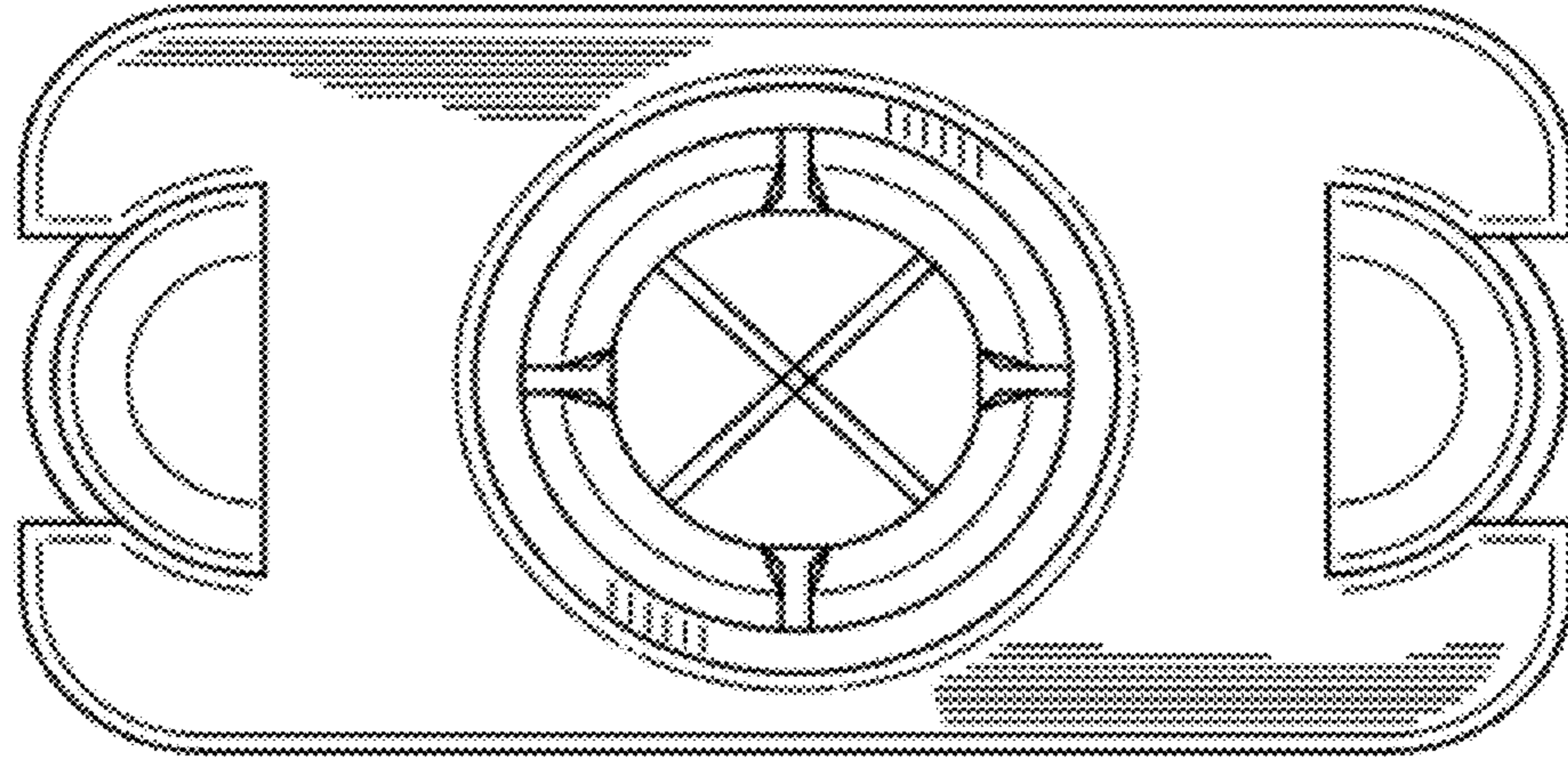
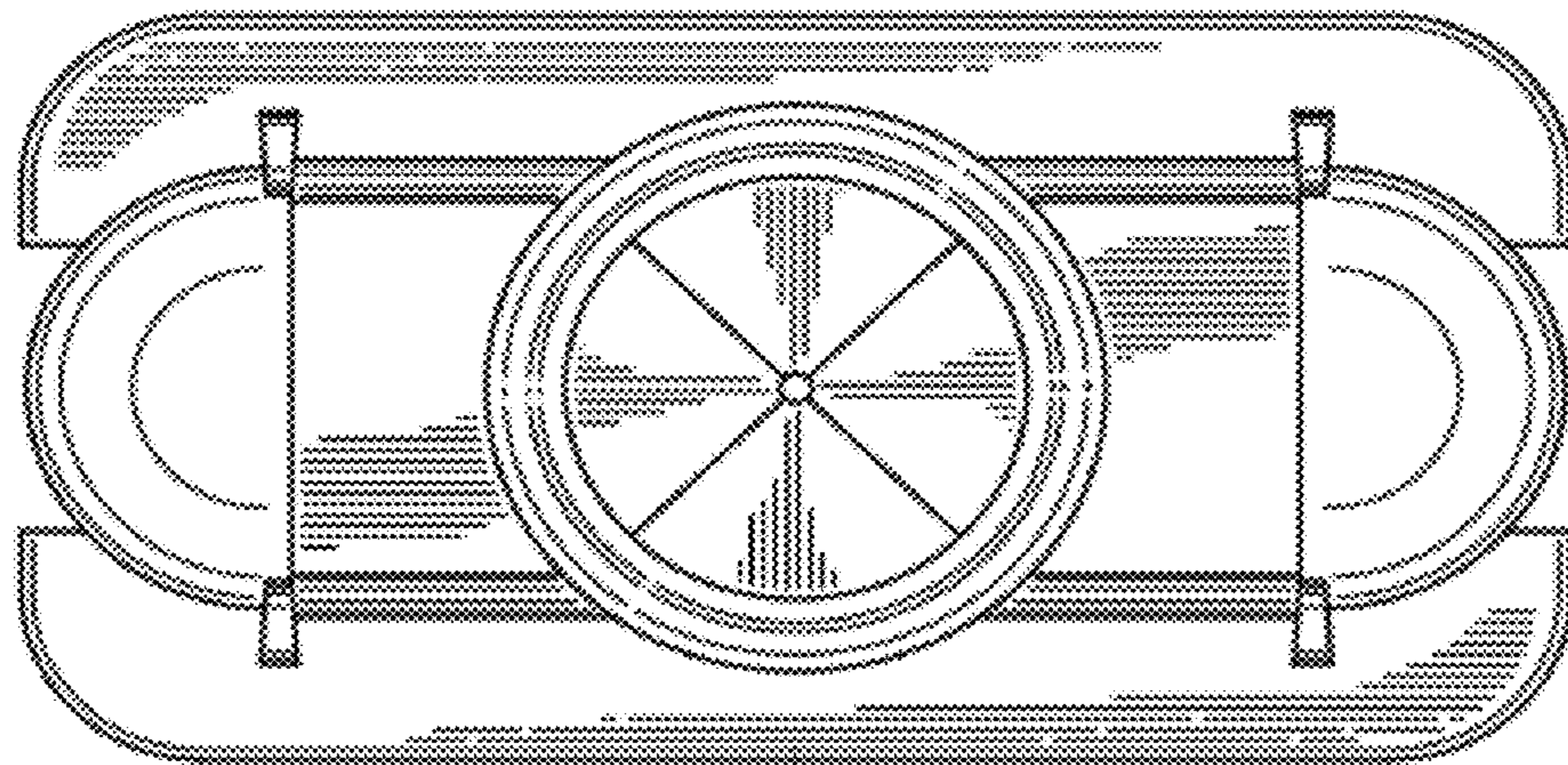


FIG. 5



**FIG. 7**



**FIG. 8**