



US00D661326S

(12) **United States Design Patent**
Sauter

(10) **Patent No.:** **US D661,326 S**
(45) **Date of Patent:** **** Jun. 5, 2012**

(54) **CUTTER FOR TEXTILE MACHINES**

(75) Inventor: **Jörg Sauter**, Albstadt (DE)

(73) Assignee: **Groz-Beckert KG**, Albstadt (DE)

(**) Term: **14 Years**

(21) Appl. No.: **29/403,402**

(22) Filed: **Oct. 5, 2011**

(30) **Foreign Application Priority Data**

Apr. 5, 2011 (EM) 001845793-0001

(51) **LOC (9) Cl.** **15-09**

(52) **U.S. Cl.** **D15/139**

(58) **Field of Classification Search** D15/72,
D15/77, 138, 139; D23/259-262; 7/148;
30/142, 144, 165, 166.3, 272.1, 314, 320,
30/346, 346.5, 346.55, 346.56, 349, 351,
30/355-357; 407/35, 42, 112-119

See application file for complete search history.

(56) **References Cited**

U.S. PATENT DOCUMENTS

D245,831 S * 9/1977 West et al. D8/20
D338,607 S * 8/1993 Anderson D8/98
D400,067 S * 10/1998 Gold D8/20

6,336,271 B1 * 1/2002 Rider et al. 30/162
D488,347 S * 4/2004 Boozer et al. D7/412
D603,232 S * 11/2009 Gutowski et al. D8/20
D605,209 S * 12/2009 Jonsson et al. D15/139
D605,672 S * 12/2009 Allen et al. D15/139
D637,876 S * 5/2011 Williams D8/20
D640,907 S * 7/2011 Underhile D8/20
2001/0014259 A1 * 8/2001 Inayama 407/116
2003/0165362 A1 * 9/2003 Hecht 407/107

* cited by examiner

Primary Examiner — Patricia Palasik

(74) *Attorney, Agent, or Firm* — Fitch, Even, Tabin & Flannery, LLP

(57) **CLAIM**

The ornamental design for a cutter for textile machines, as shown and described.

DESCRIPTION

FIG. 1 is a perspective view of a cutter for a textile machine showing my new design.

FIG. 2 is a front plan view thereof,

FIG. 3 is a rear plan view thereof,

FIG. 4 is a top plan view thereof,

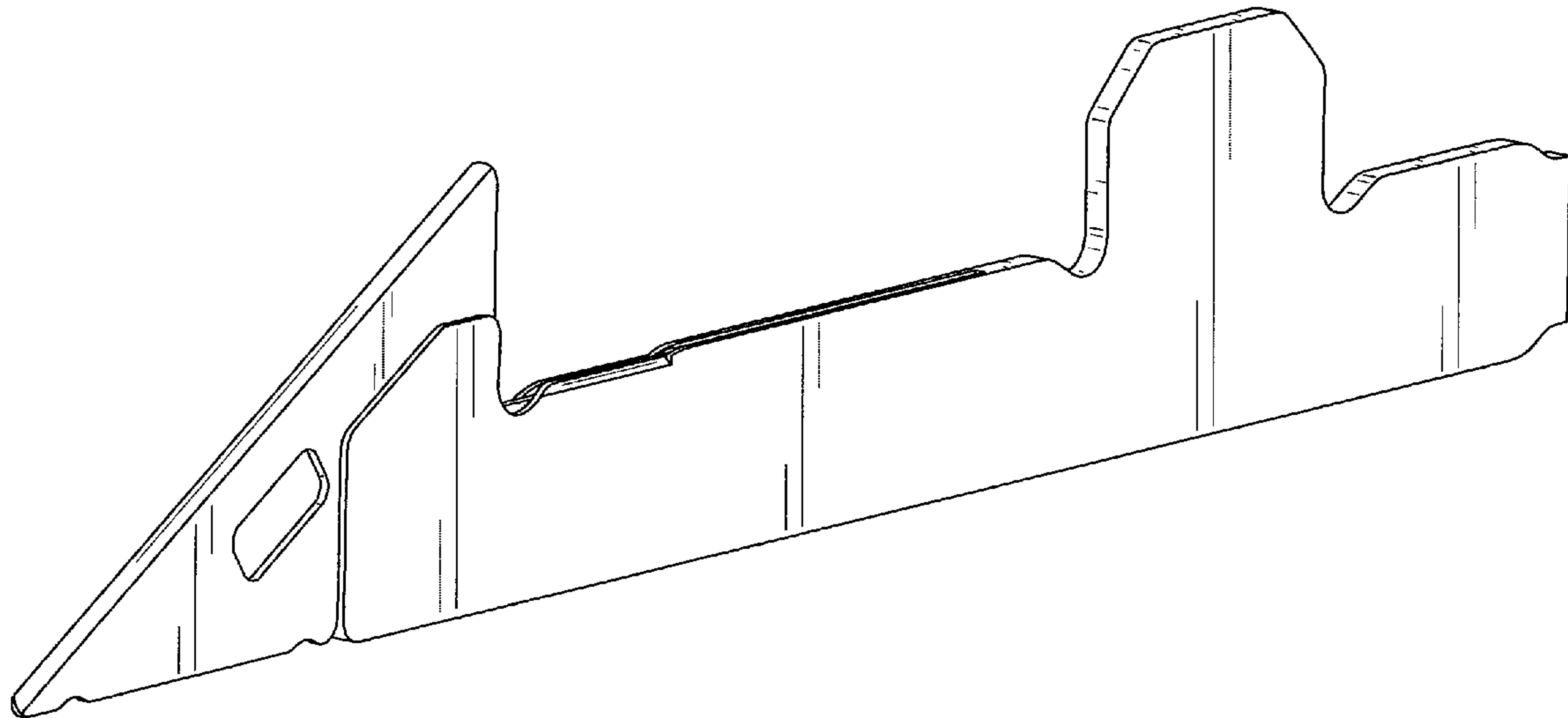
FIG. 5 is a bottom plan view thereof,

FIG. 6 is a left-side plan view thereof,

FIG. 7 is a right-side plan view thereof; and,

FIG. 8 is an exploded perspective view showing the two pieces forming my new design.

1 Claim, 6 Drawing Sheets



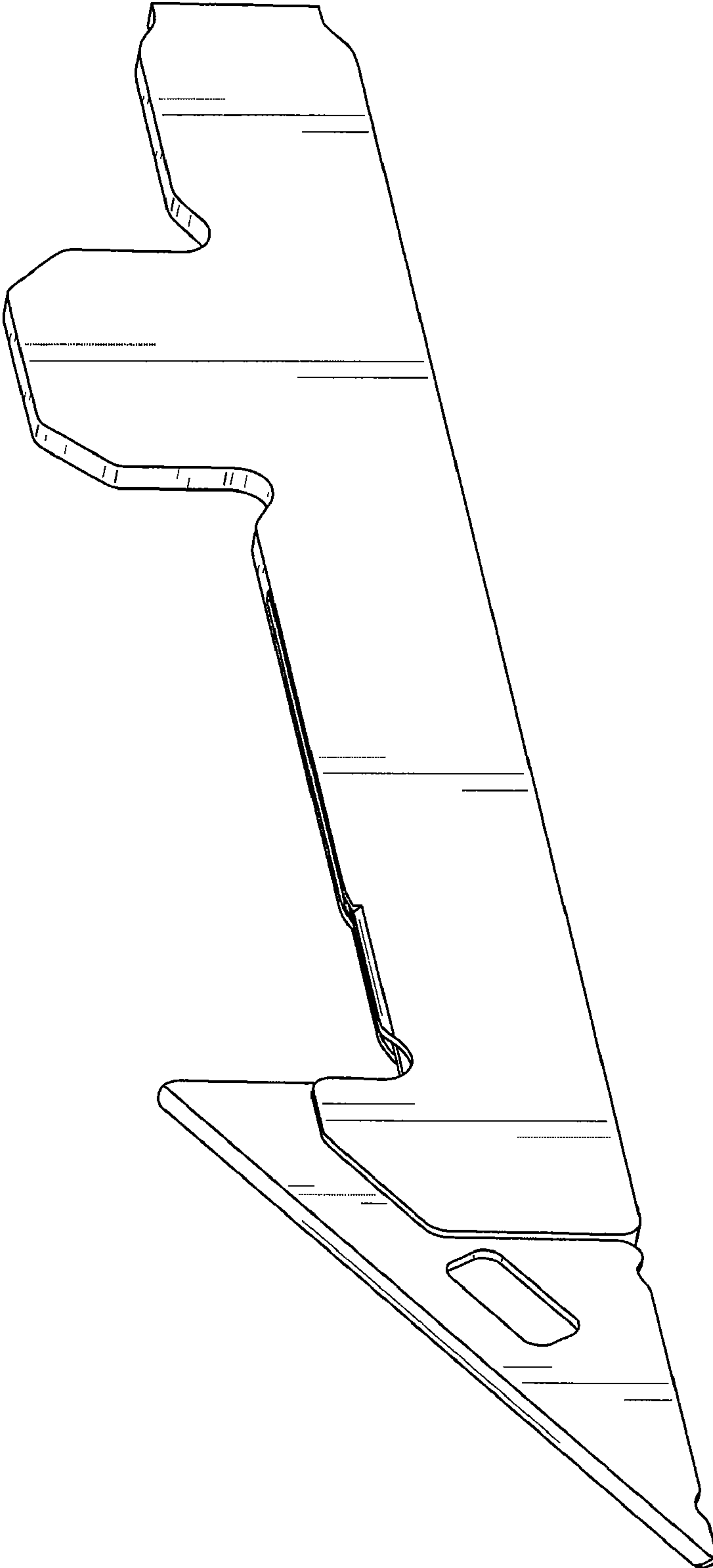


FIG. 1

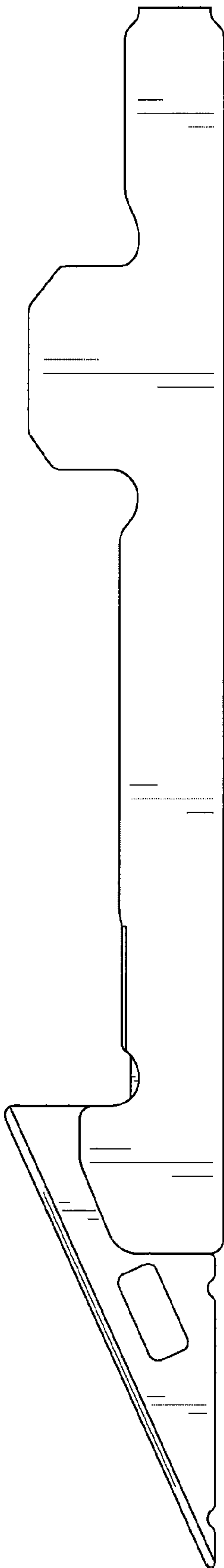


FIG. 2

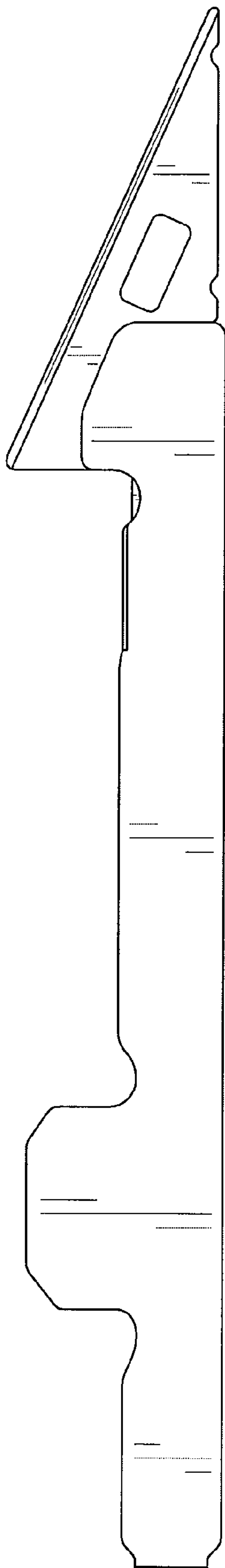


FIG. 3



FIG. 4



FIG. 5



FIG. 6



FIG. 7

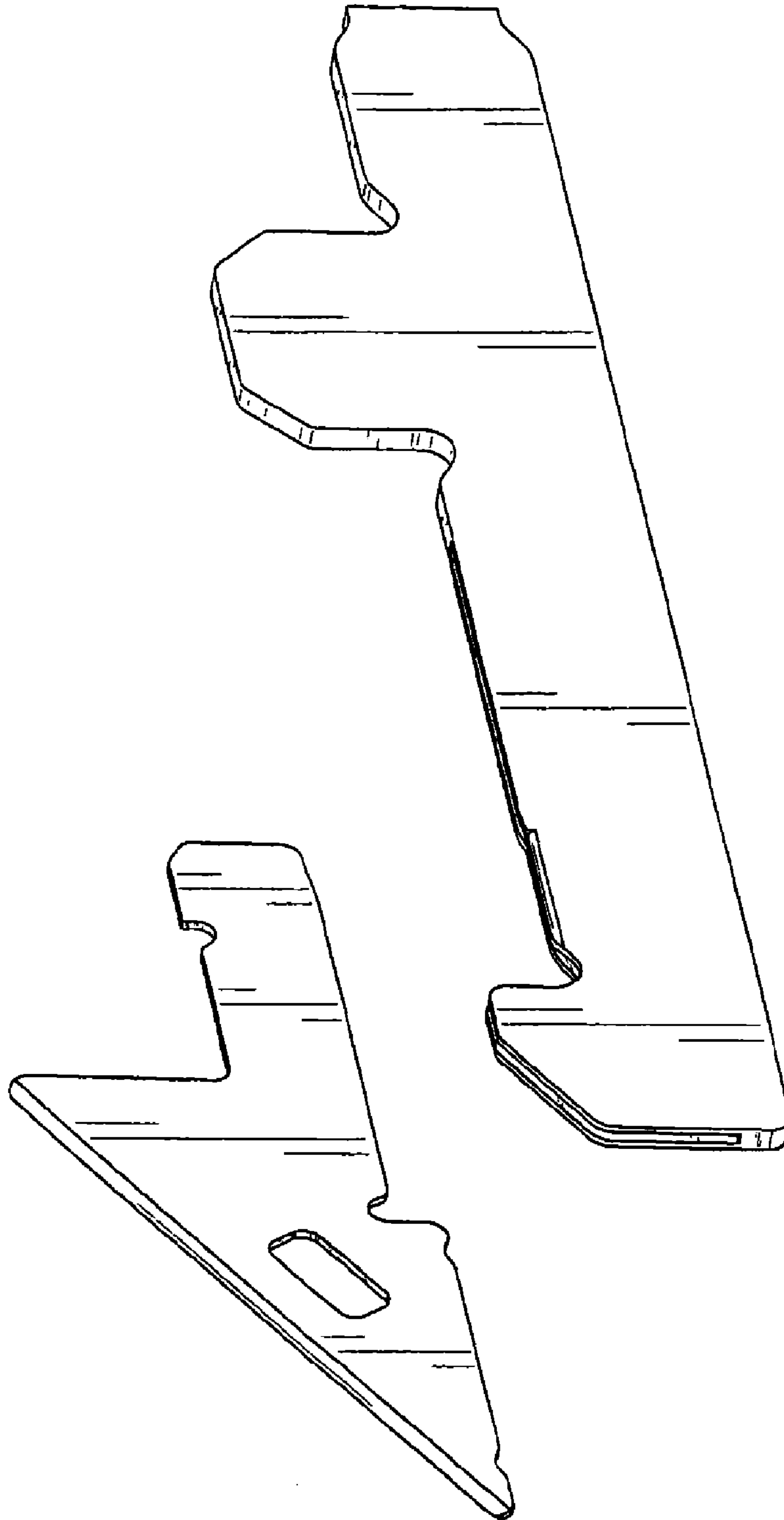


FIG. 8