



US00D661325S

(12) **United States Design Patent**
Yang et al.

(10) **Patent No.:** **US D661,325 S**
(45) **Date of Patent:** **** Jun. 5, 2012**

(54) **SHELF FOR REFRIGERATOR**
(75) Inventors: **Yun Ho Yang**, Seoul (KR); **Sang Woon Jeon**, Kyunggi-do (KR); **Jae Moon Lee**, Seoul (KR)

(73) Assignee: **Samsung Electronics Co., Ltd.**, Suwon-Si (KR)

(**) Term: **14 Years**

(21) Appl. No.: **29/391,951**

(22) Filed: **May 16, 2011**

(51) **LOC (9) Cl.** **15-07**

(52) **U.S. Cl.** **D15/89**

(58) **Field of Classification Search** D15/79-89, D15/91; 312/300, 313, 319.2, 405.1, 405.2, 312/274, 298, 321.5, 408; 211/150, 88.01, 211/187; 62/377

See application file for complete search history.

(56) **References Cited**

U.S. PATENT DOCUMENTS

2,976,101 A * 3/1961 Rooney 312/300

4,840,279 A * 6/1989 Cobb et al. 211/88.01
5,685,624 A * 11/1997 Lee 312/405.1
6,039,424 A * 3/2000 Pink 312/405.1
6,186,608 B1 * 2/2001 Pink 312/405.1
6,220,684 B1 * 4/2001 Bent et al. 312/405.1

* cited by examiner

Primary Examiner — Mitchell Siegel

(74) *Attorney, Agent, or Firm* — Ladas & Parry LLP

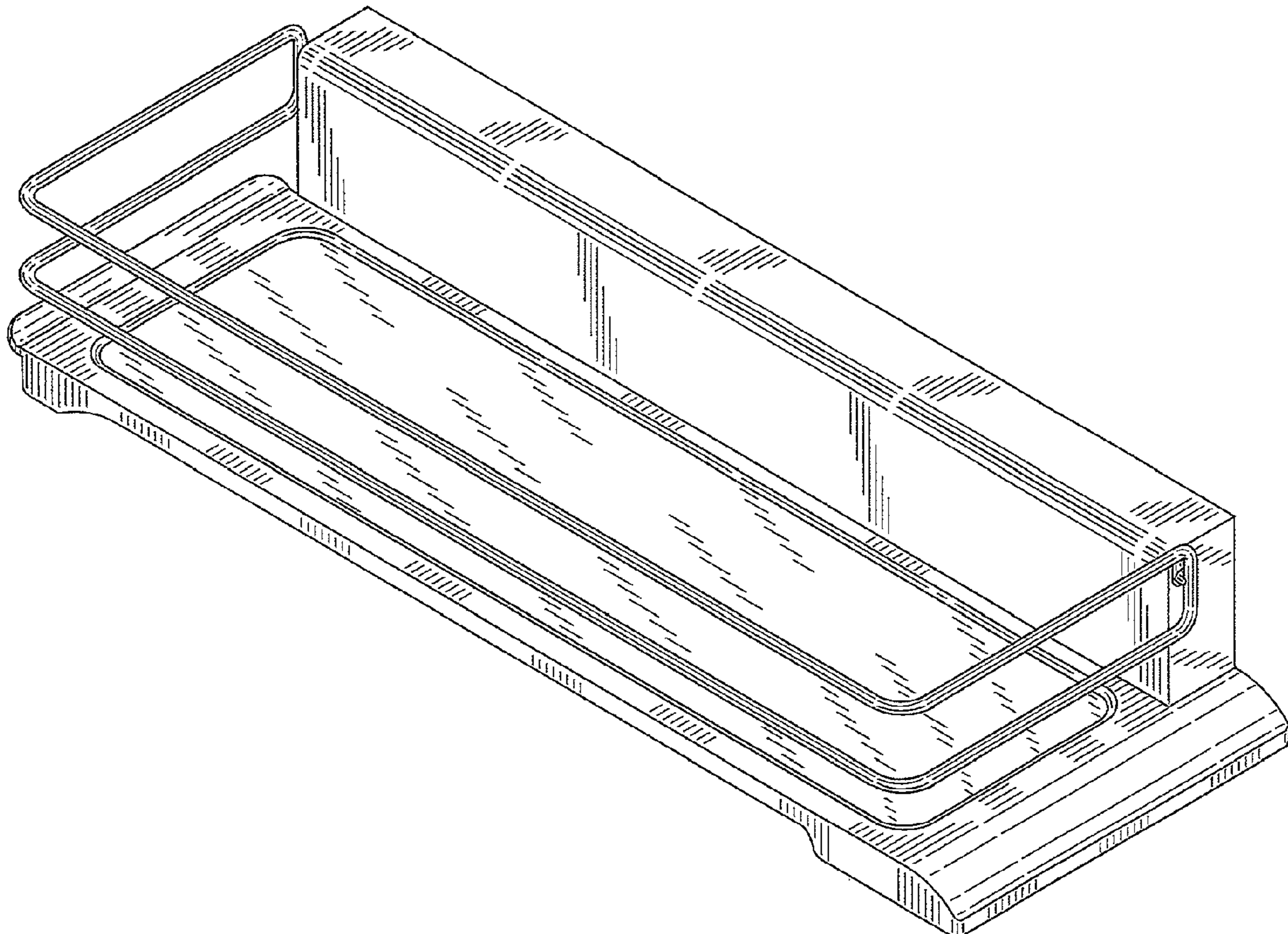
(57) **CLAIM**

We claim the ornamental design for a shelf for refrigerator, as shown.

DESCRIPTION

FIG. 1 is a front/right-side/top perspective view of a shelf for refrigerator showing our new design; FIG. 2 is a front-side elevational view thereof; FIG. 3 is a rear-side elevational view thereof; FIG. 4 is a left-side elevational view thereof; FIG. 5 is a right-side elevational view thereof; FIG. 6 is a top-side elevational view thereof; and FIG. 7 is a bottom-side elevational view thereof.

1 Claim, 4 Drawing Sheets



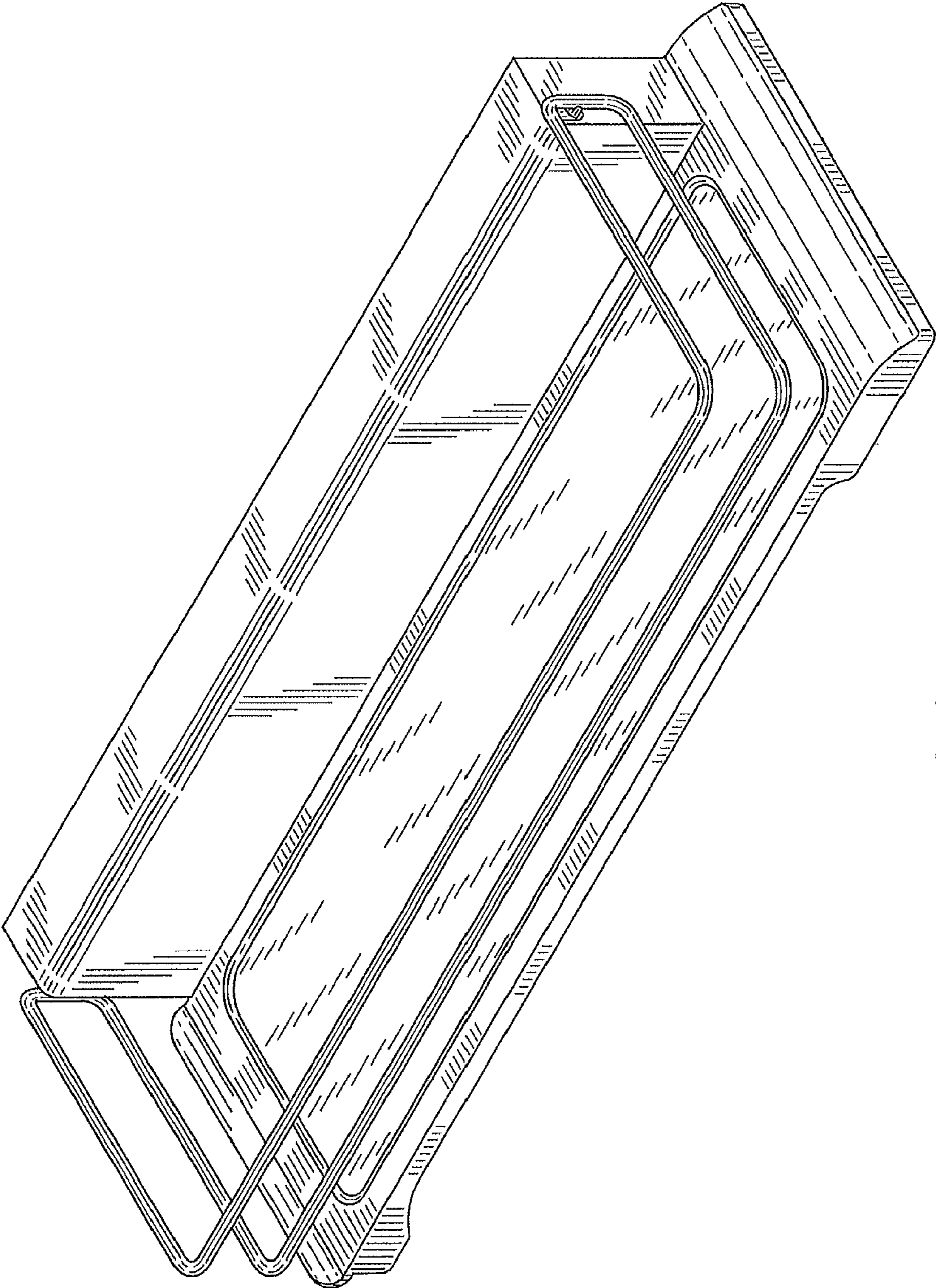


FIG. 1

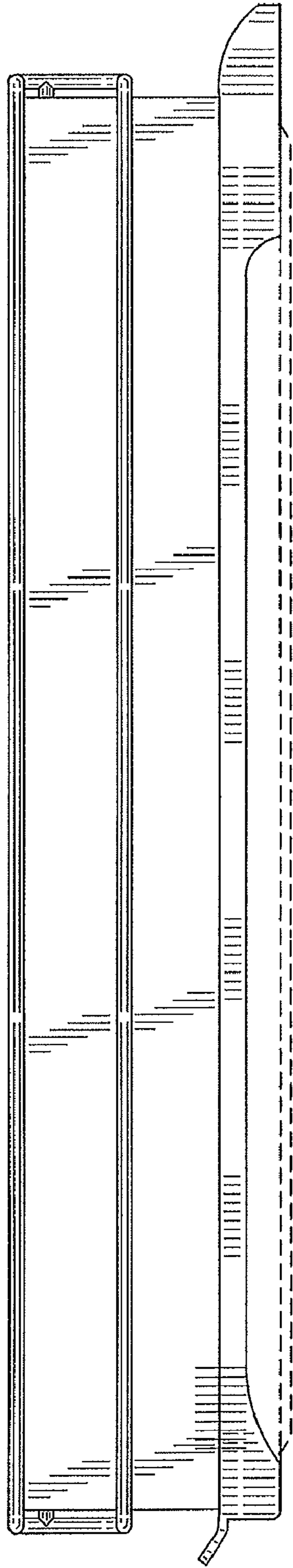


FIG. 2

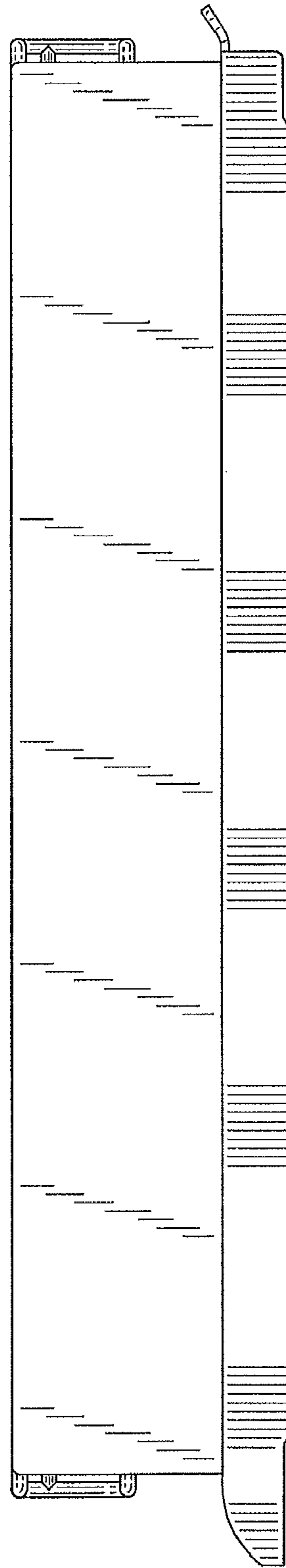


FIG. 3

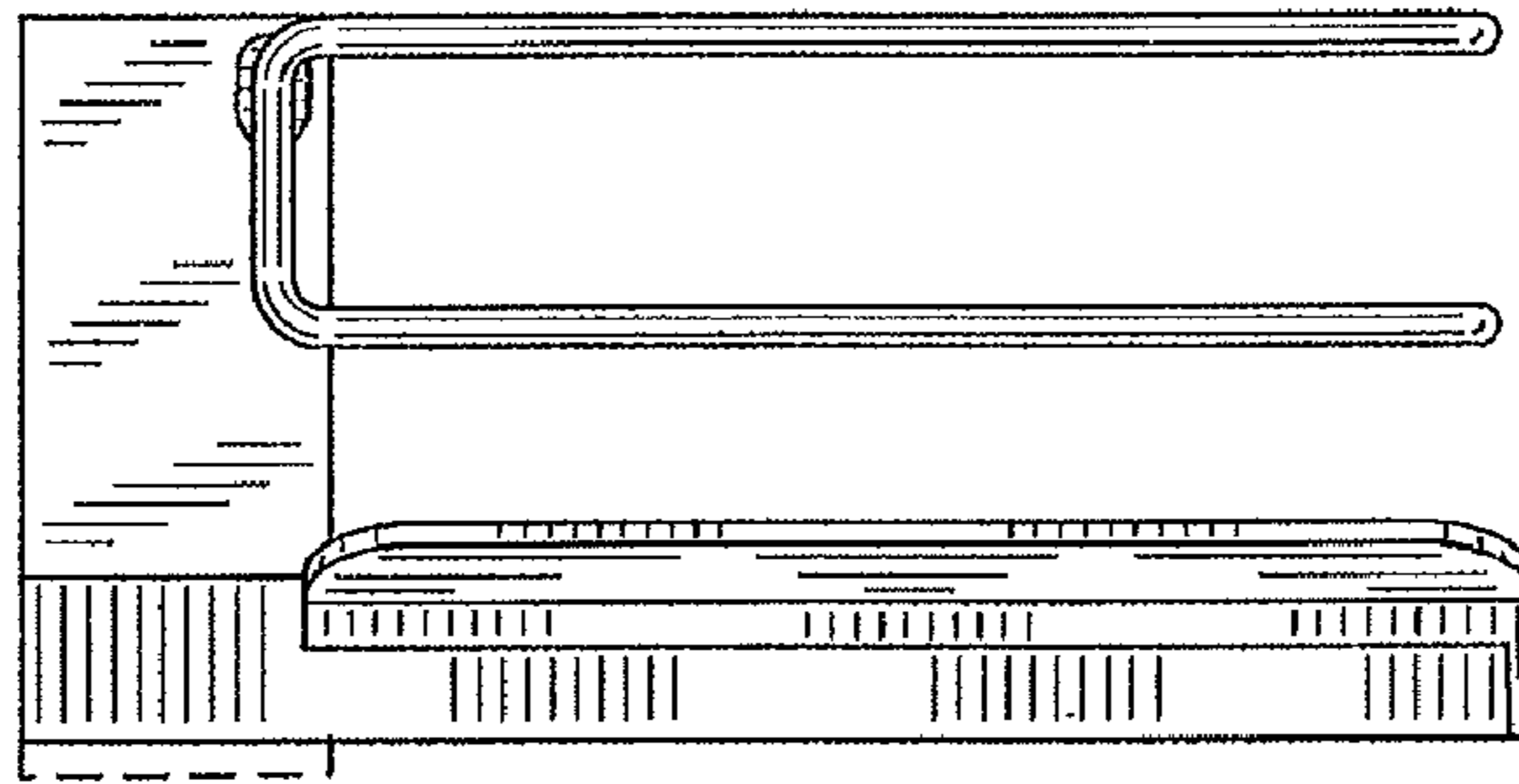


FIG. 4

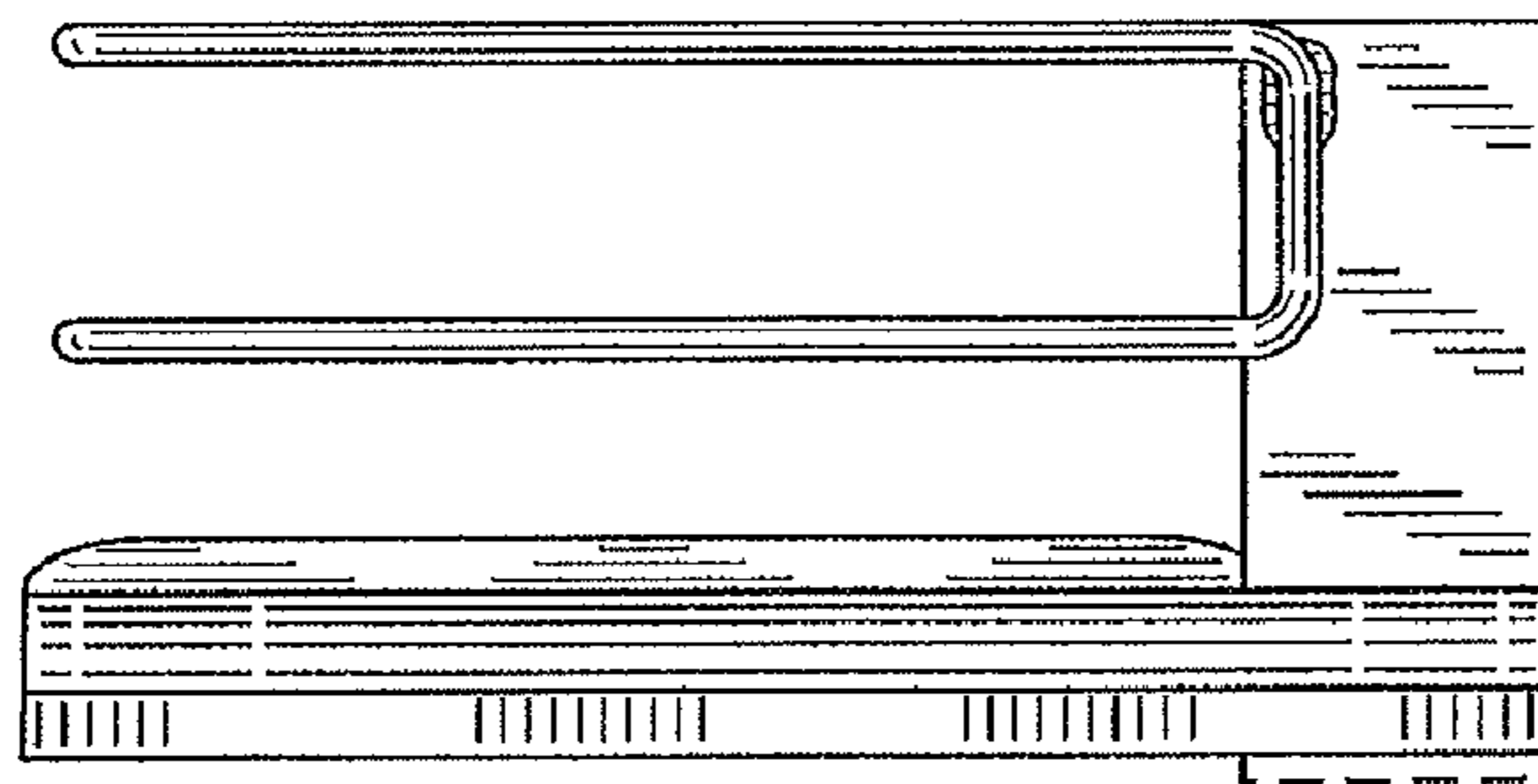


FIG. 5

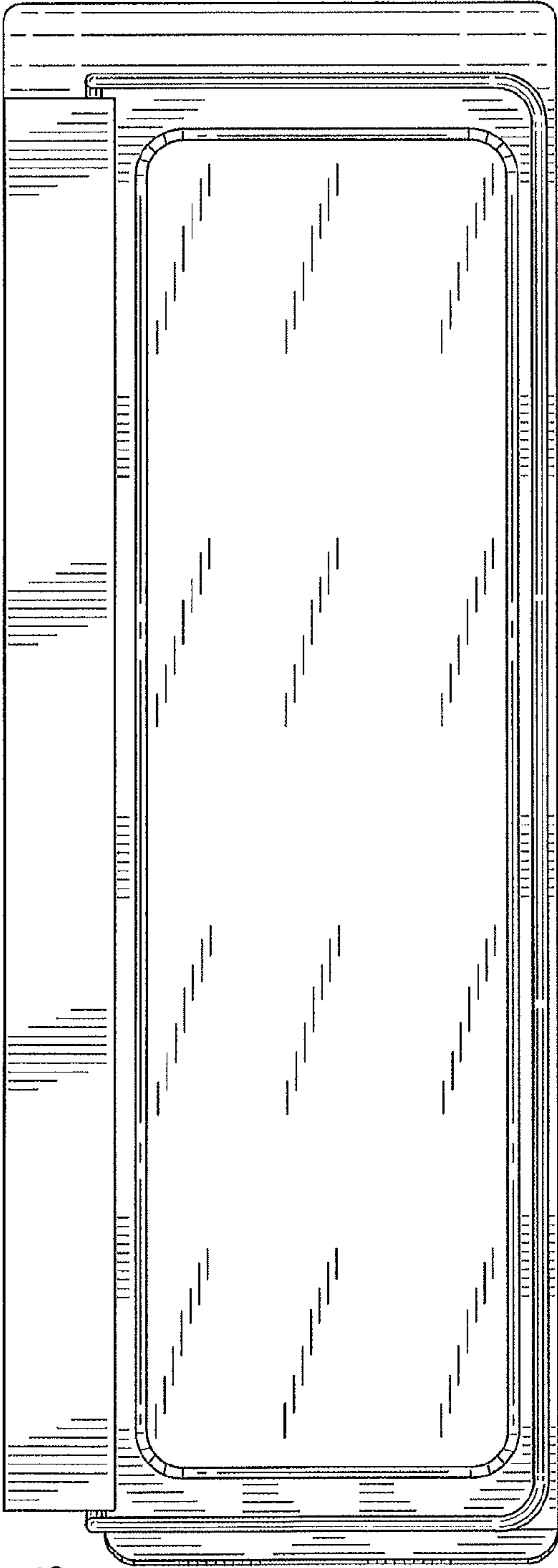


FIG. 6

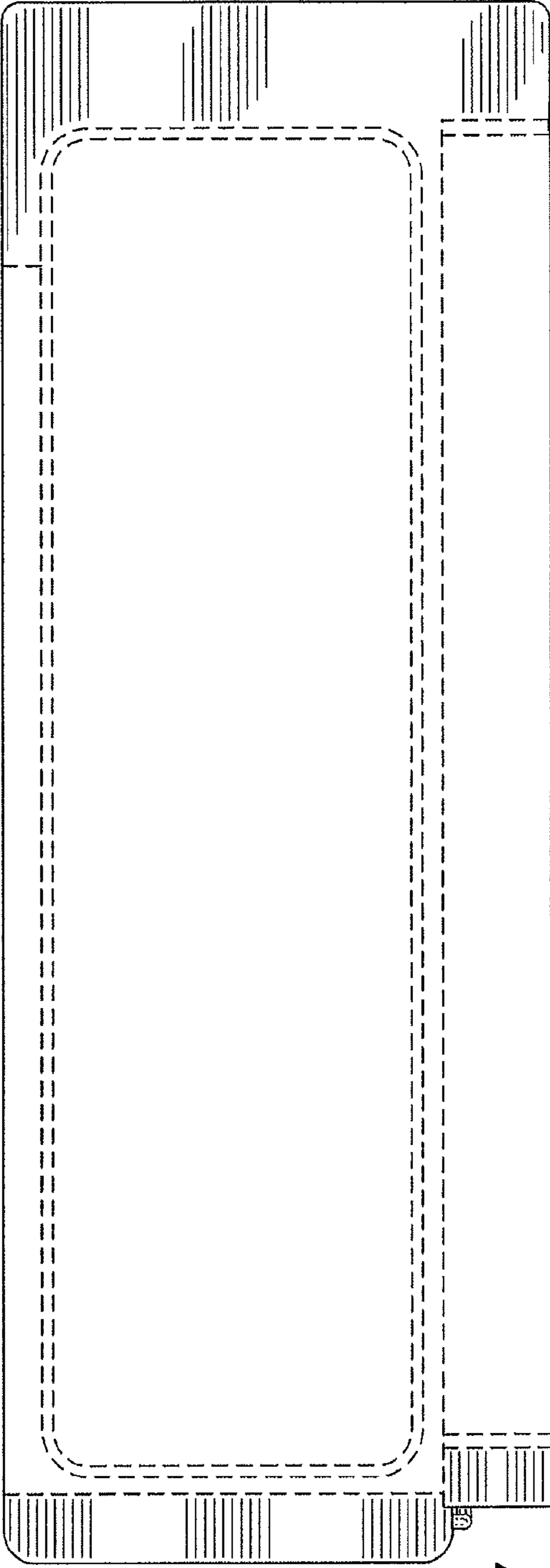


FIG. 7