



US00D661324S

(12) **United States Design Patent**  
**Rohner et al.**

(10) **Patent No.:** **US D661,324 S**  
(45) **Date of Patent:** **\*\* Jun. 5, 2012**

(54) **SEWING MACHINE**

(75) Inventors: **Mario Rohner**, Lucerne (CH); **Florian Huber**, Suhr (CH)

(73) Assignee: **BERNINA International AG**,  
Steckborn (CH)

(\*\*) Term: **14 Years**

(21) Appl. No.: **29/390,964**

(22) Filed: **May 2, 2011**

(30) **Foreign Application Priority Data**

Dec. 22, 2010 (WO) ..... 075040

(51) **LOC (9) Cl.** ..... **15-06**

(52) **U.S. Cl.** ..... **D15/69**

(58) **Field of Classification Search** ..... D15/69-76;  
112/2, 154, 163, 271, 217.1-217.4, 258-262,  
112/400, 470.1, 470.4, 444, 63; 312/208.5,  
312/208.6

See application file for complete search history.

(56) **References Cited**

**U.S. PATENT DOCUMENTS**

D225,574 S \* 12/1972 Grange ..... D15/69  
D289,403 S \* 4/1987 Yoneda ..... D15/69

D289,877 S \* 5/1987 Yoneda ..... D15/69  
D292,588 S \* 11/1987 Uchida ..... D15/69  
D509,516 S \* 9/2005 Kuroki ..... D15/70  
D514,599 S \* 2/2006 Egami ..... D15/69  
D515,111 S \* 2/2006 Egami ..... D15/70  
D523,031 S \* 6/2006 Muto ..... D15/69  
D524,829 S \* 7/2006 Muto ..... D15/69  
D628,605 S \* 12/2010 Mutoh ..... D15/69

\* cited by examiner

*Primary Examiner* — Mitchell Siegel

(74) *Attorney, Agent, or Firm* — Volpe and Koenig, P.C.

(57) **CLAIM**

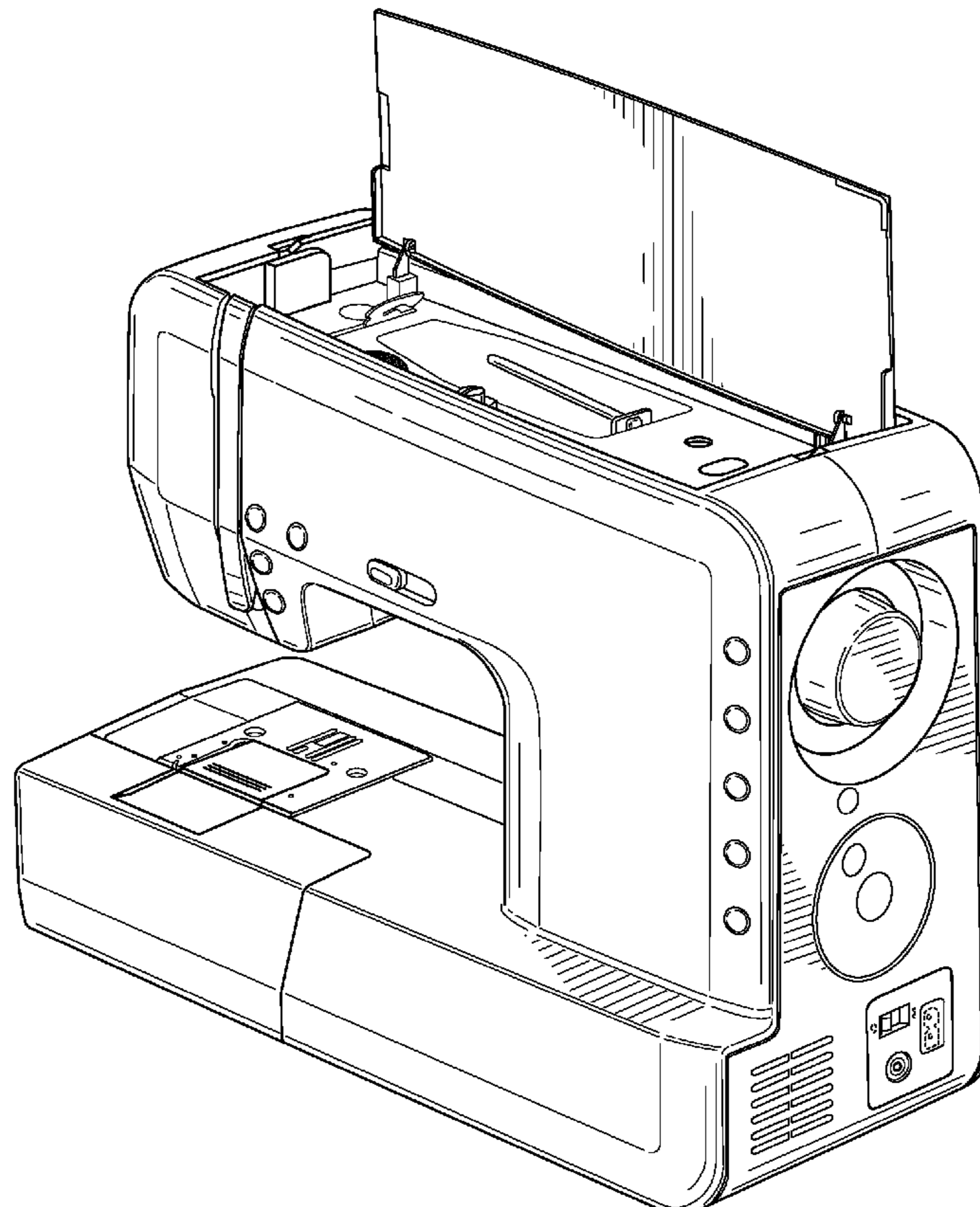
The ornamental design for a sewing machine, as shown and described.

**DESCRIPTION**

FIG. 1 is a top, front, right side perspective of a sewing machine in accordance with our design;  
FIG. 2 is a front elevational view thereof;  
FIG. 3 is a rear elevational view thereof;  
FIG. 4 is a left side elevational view thereof;  
FIG. 5 is a right side elevational view thereof;  
FIG. 6 is a top view thereof; and,  
FIG. 7 is a bottom view thereof.

The broken lines shown form no part of the claimed design.

**1 Claim, 7 Drawing Sheets**



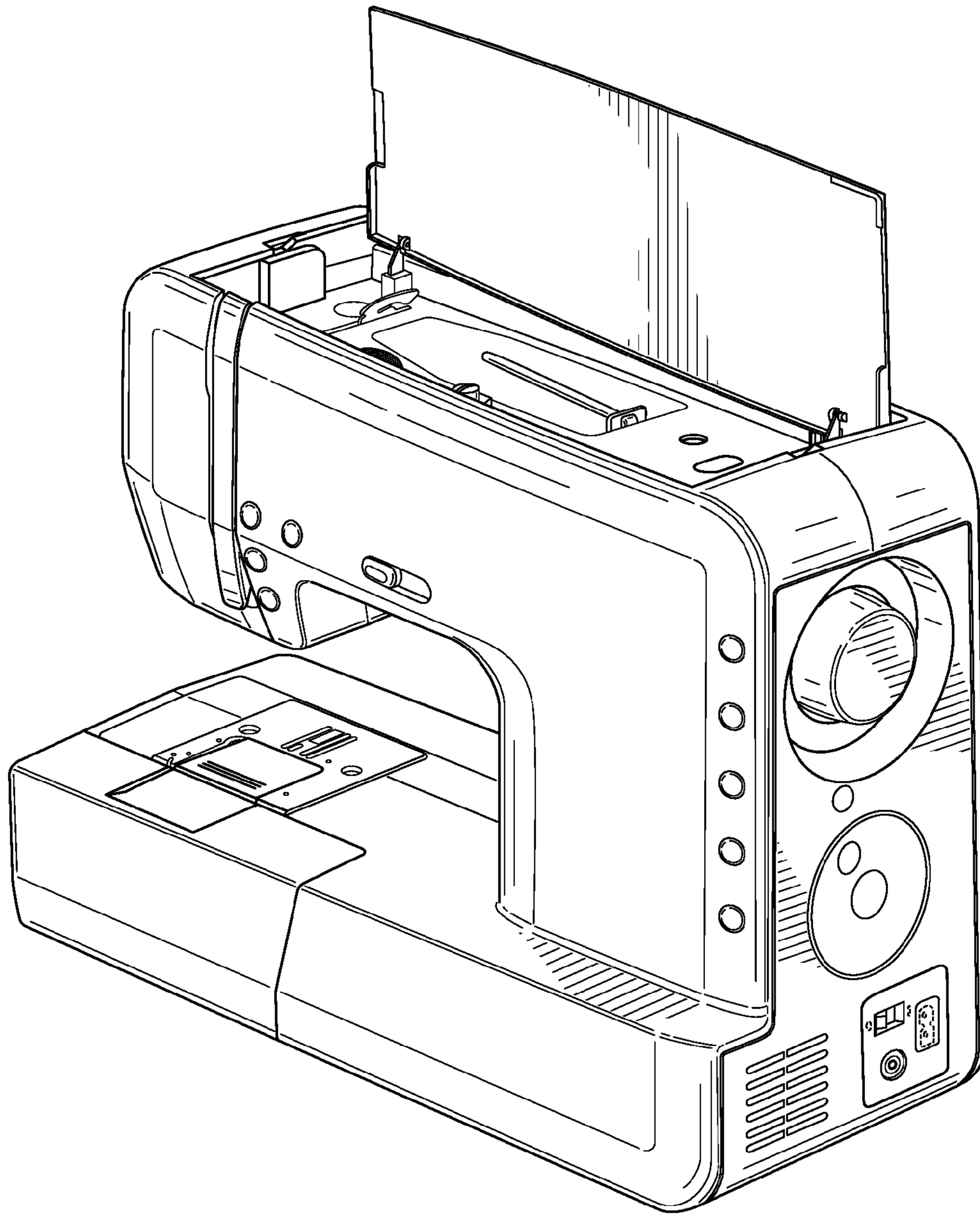


Fig. 1

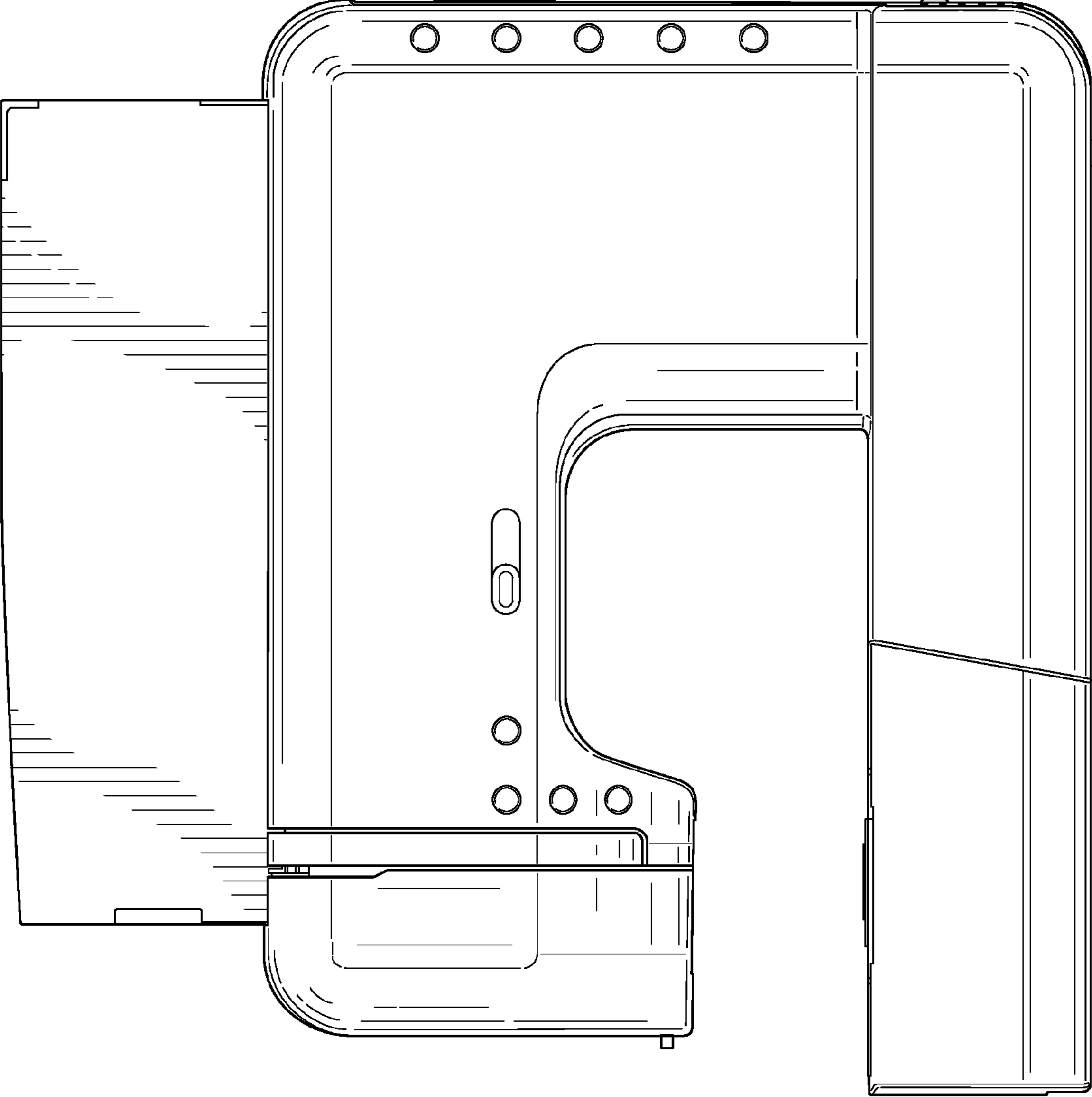


Fig. 2

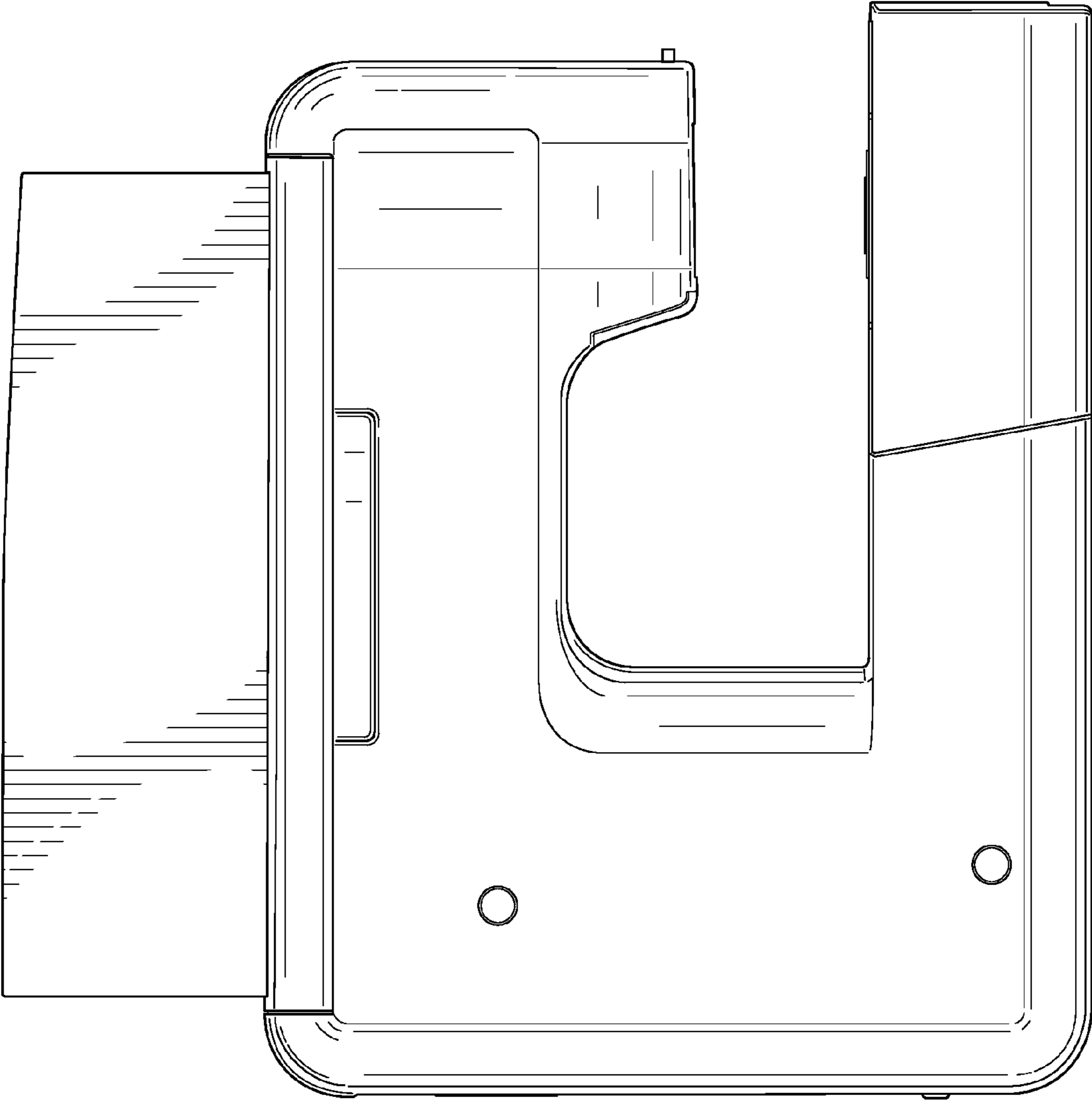


Fig. 3

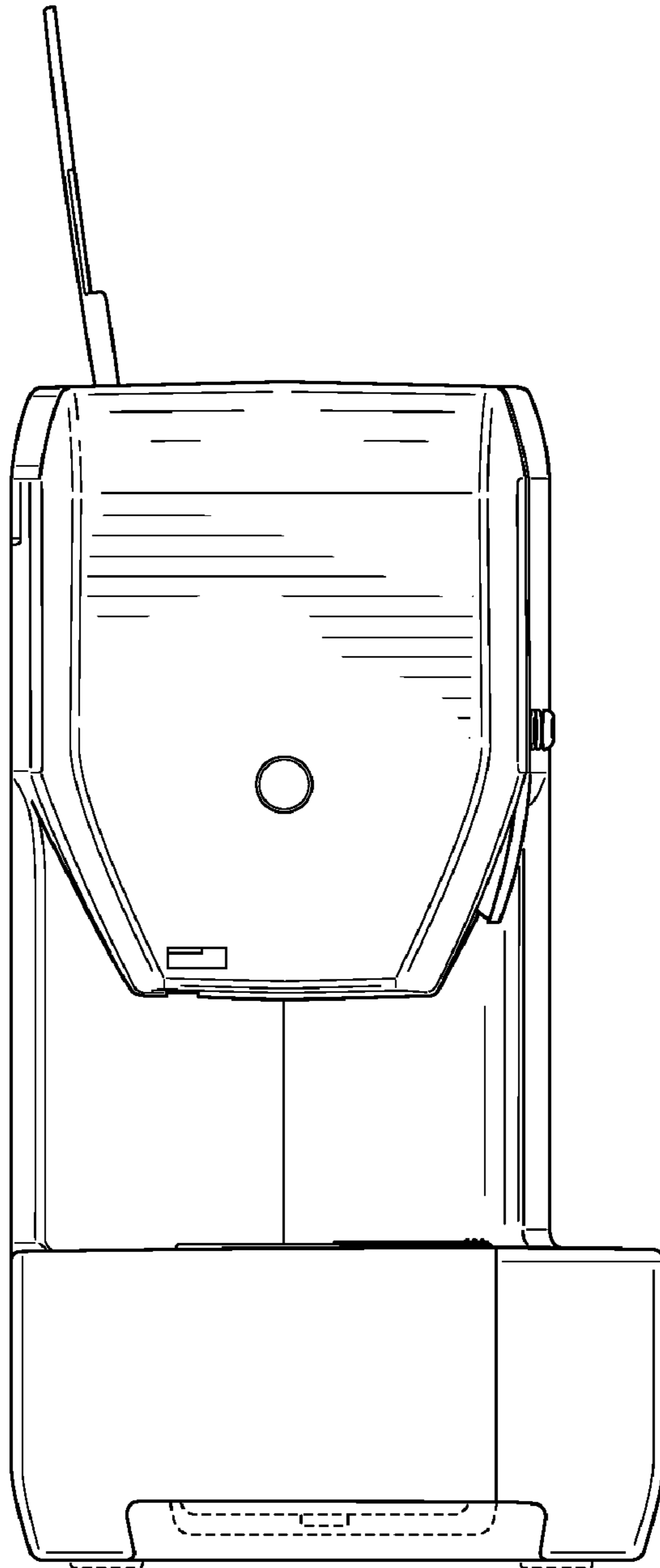


Fig. 4

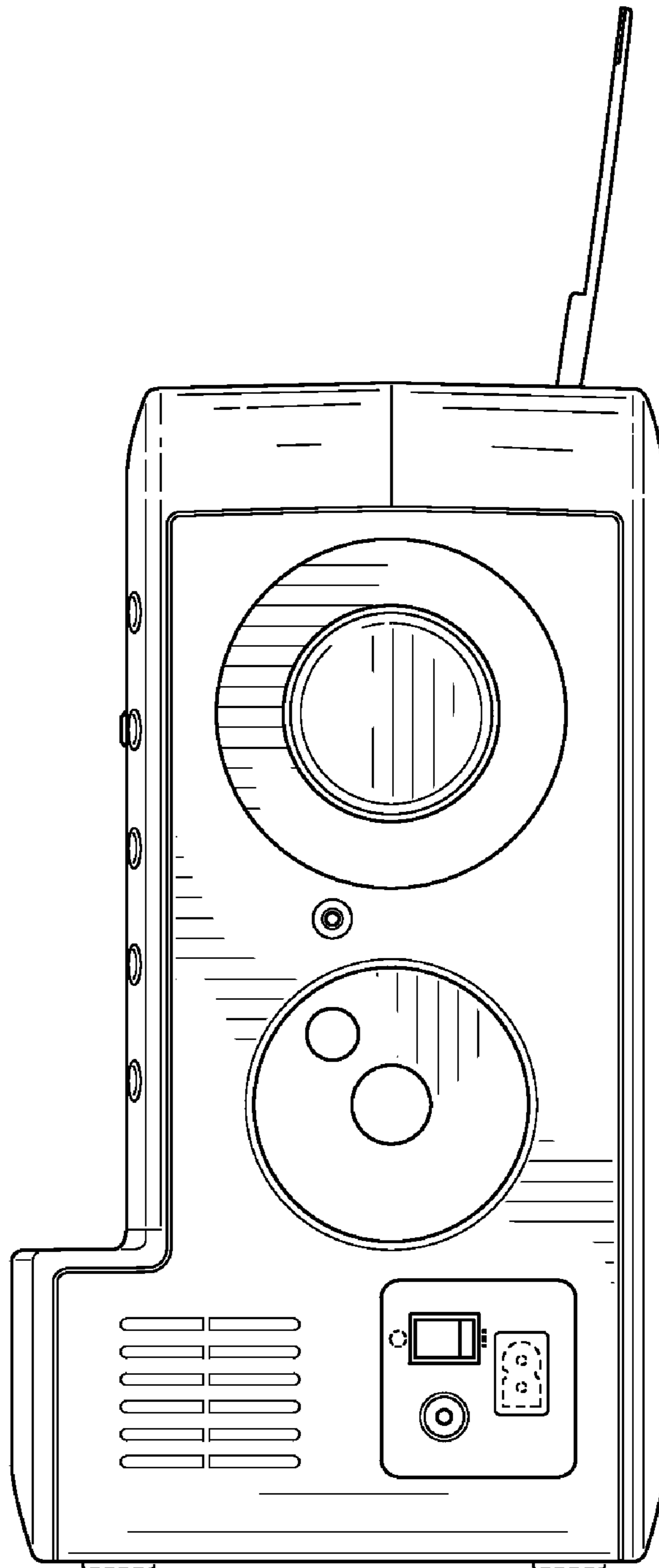


Fig. 5

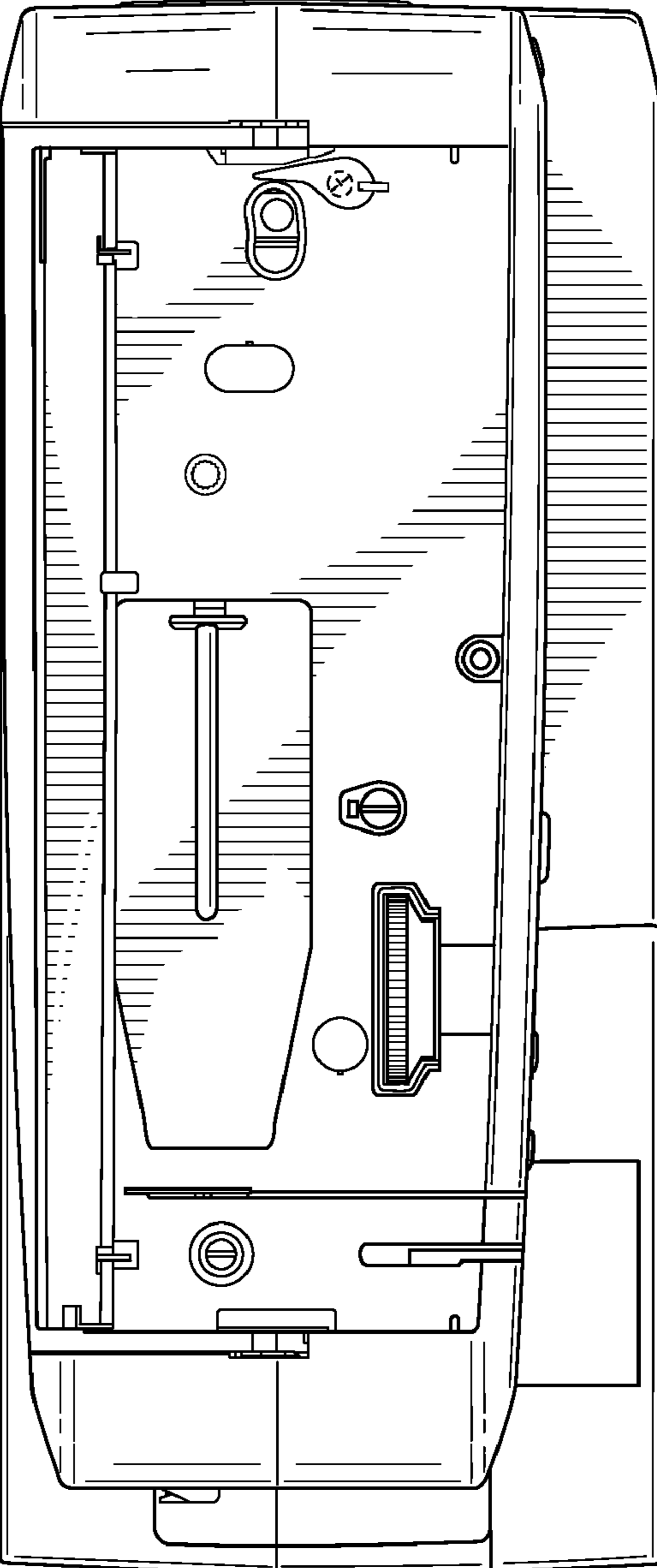


Fig. 6

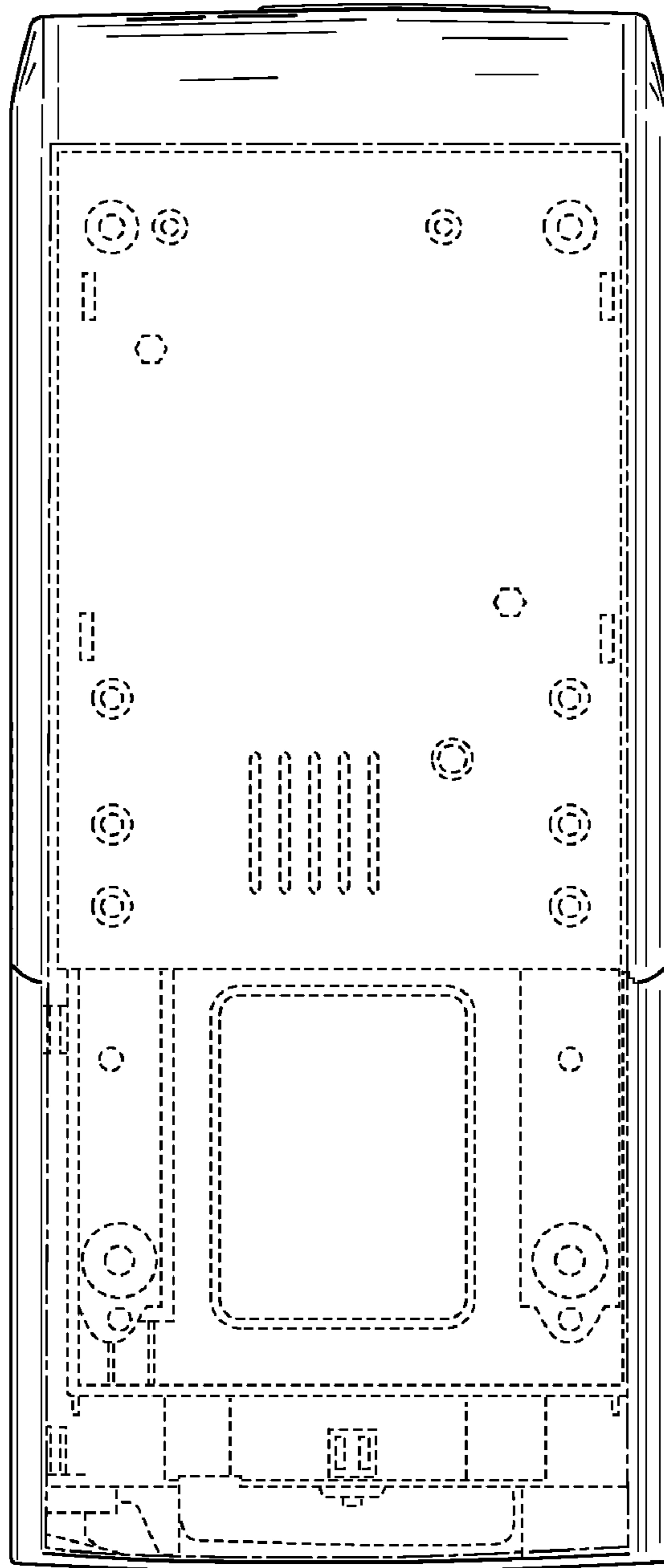


Fig. 7