

US00D661323S

(12) **United States Design Patent**
Krogh et al.

(10) **Patent No.:** **US D661,323 S**
(45) **Date of Patent:** **** Jun. 5, 2012**

(54) **TRACTOR HOOD**

(75) Inventors: **Ryan Michael Krogh**, Cedar Falls, IA (US); **William Edward Crookes**, Ann Arbor, MI (US); **Thomas Cedric Boe**, Cedar Falls, IA (US); **Andrew C. Easter**, Cedar Falls, IA (US)

(73) Assignee: **Deere & Company**, Moline, IL (US)

(**) Term: **14 Years**

(21) Appl. No.: **29/408,372**

(22) Filed: **Dec. 12, 2011**

Related U.S. Application Data

(63) Continuation-in-part of application No. 29/351,304, filed on Dec. 3, 2009.

(51) **LOC (9) Cl.** **15-03**

(52) **U.S. Cl.** **D15/31**

(58) **Field of Classification Search** D15/10, D15/11, 13-17, 28, 22-26, 31; D12/173; 56/13.3, 13.4, 15.8, 15.9, 320.1; 180/89.1, 180/89.12, 900, 69.2, 68.1, 69.1
See application file for complete search history.

(56) **References Cited**

U.S. PATENT DOCUMENTS

D246,370	S	*	11/1977	Lorenz	D15/31
D297,330	S	*	8/1988	Monehaie et al.	D15/31
D371,372	S	*	7/1996	Westimayer et al.	D15/31
D381,025	S	*	7/1997	Bataille	D15/31
D383,470	S	*	9/1997	Westimayer et al.	D15/31
D389,492	S	*	1/1998	Schmidt et al.	D15/31
5,803,198	A	*	9/1998	Baxter et al.	180/69.21
D413,905	S	*	9/1999	Schmidt et al.	D15/31

6,167,977	B1	*	1/2001	Adamson et al.	180/69.2
D448,037	S	*	9/2001	Westimayer et al.	D15/31
D451,106	S	*	11/2001	Crookes et al.	D15/31
D458,944	S	*	6/2002	Crookes et al.	D15/31
D483,383	S	*	12/2003	Crookes et al.	D15/31
D488,488	S	*	4/2004	Montgomery et al.	D15/31
D488,489	S	*	4/2004	Montgomery et al.	D15/31
D495,344	S	*	8/2004	Farlow et al.	D15/31
D495,345	S	*	8/2004	Farlow et al.	D15/31
D512,079	S	*	11/2005	Farlow et al.	D15/31
D512,445	S	*	12/2005	Farlow et al.	D15/31
D520,527	S	*	5/2006	Crookes et al.	D15/31
D554,669	S	*	11/2007	Crookes et al.	D15/31
D560,693	S	*	1/2008	Moen et al.	D15/31
D570,382	S	*	6/2008	Higashikawa	D15/31
D586,828	S	*	2/2009	Staines et al.	D15/31
D591,777	S	*	5/2009	Kokitkar et al.	D15/31

* cited by examiner

Primary Examiner — Mark Goodwin

(57) **CLAIM**

The ornamental design for a tractor hood, as shown and described.

DESCRIPTION

FIG. 1 is a top front left side perspective view of a tractor hood showing our new design.

FIG. 2 is a top front right side perspective view thereof.

FIG. 3 is a front view thereof.

FIG. 4 is a rear view thereof.

FIG. 5 is a left side view thereof.

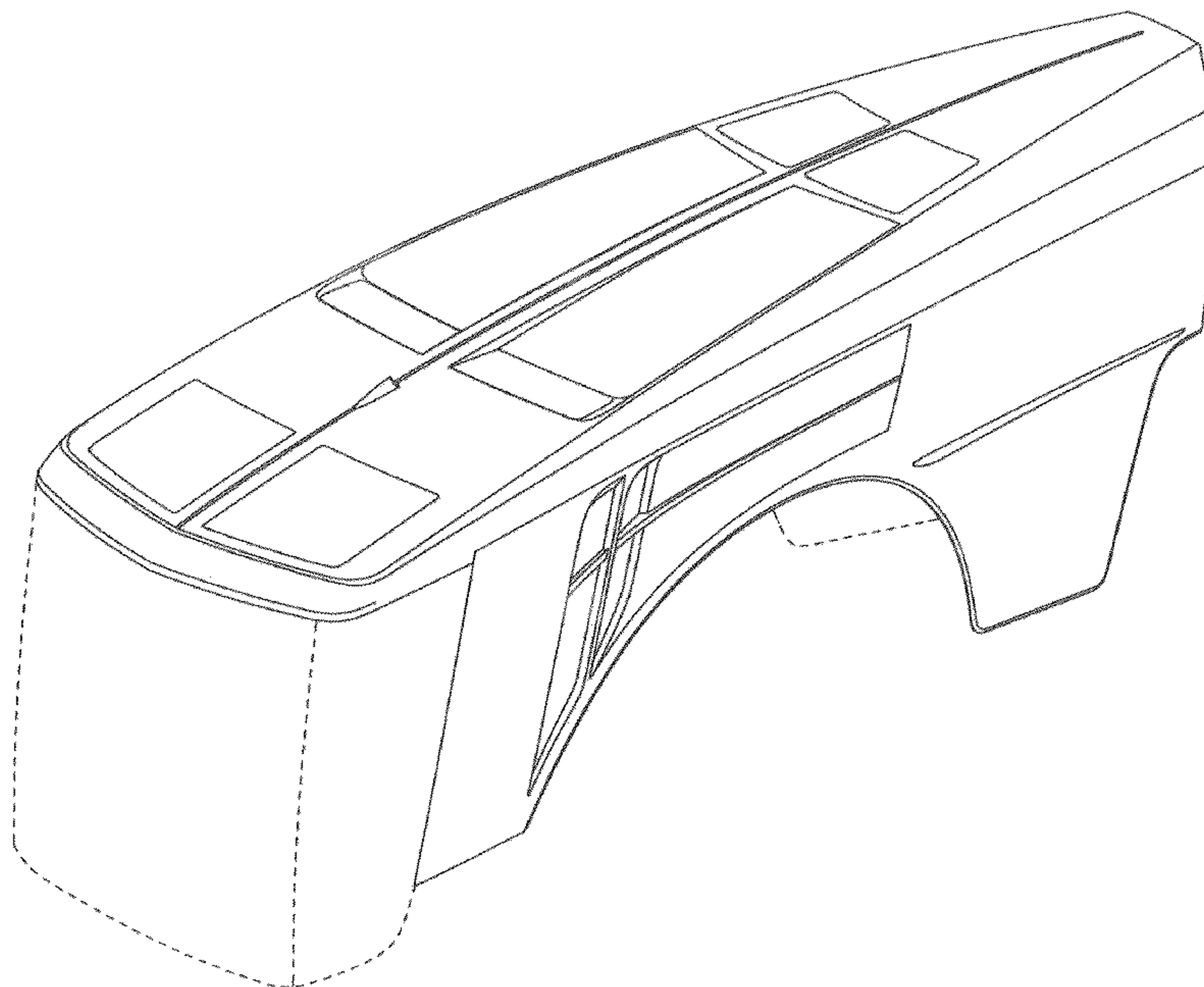
FIG. 6 is a right side view thereof.

FIG. 7 is a top plan view thereof; and,

FIG. 8 is a bottom plan view thereof.

The broken line showing of the surfaces in FIGS. 1-6, and 8 is included for the purpose of illustrating portions of the tractor hood and forms no part of the claimed design.

1 Claim, 8 Drawing Sheets



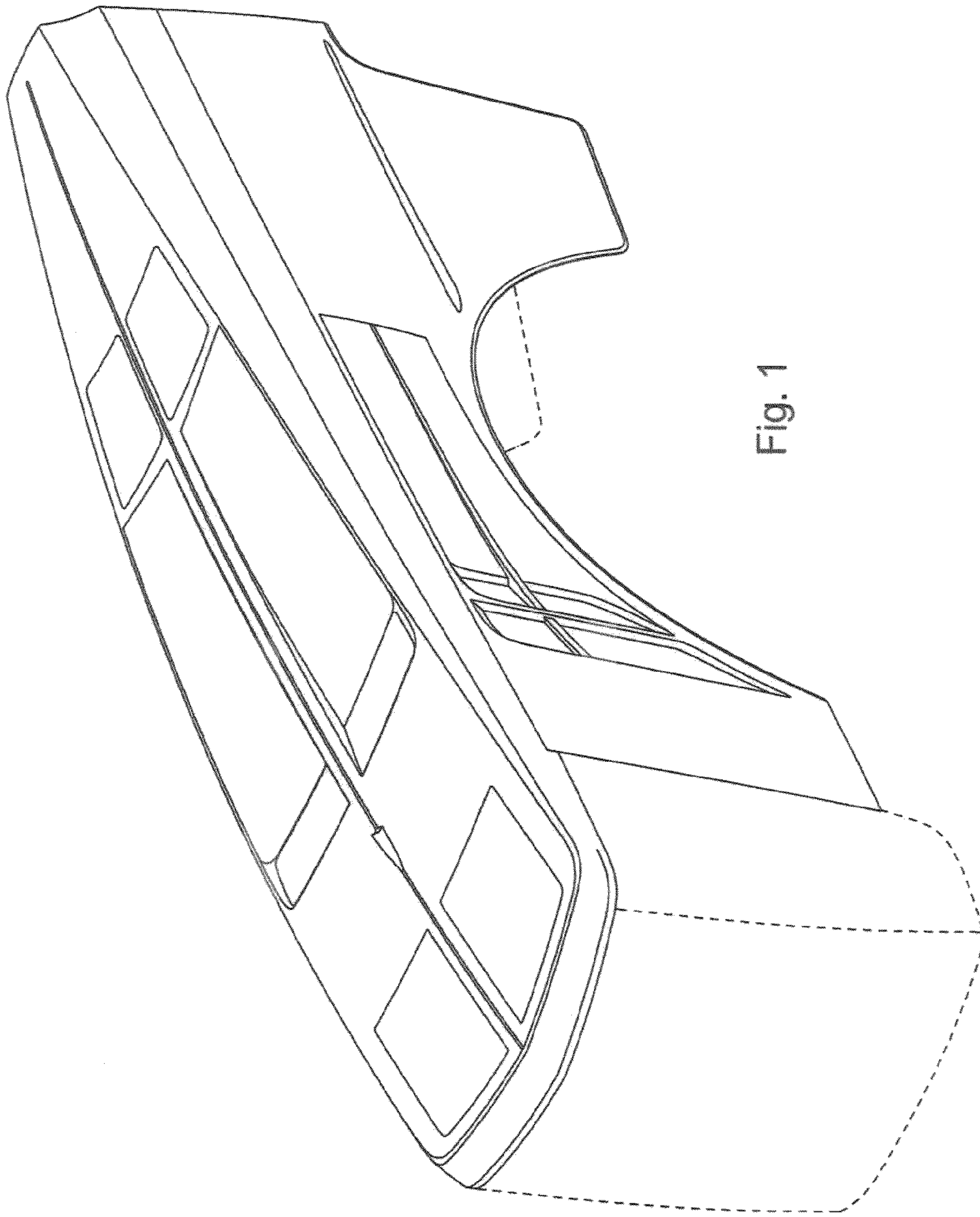


Fig. 1

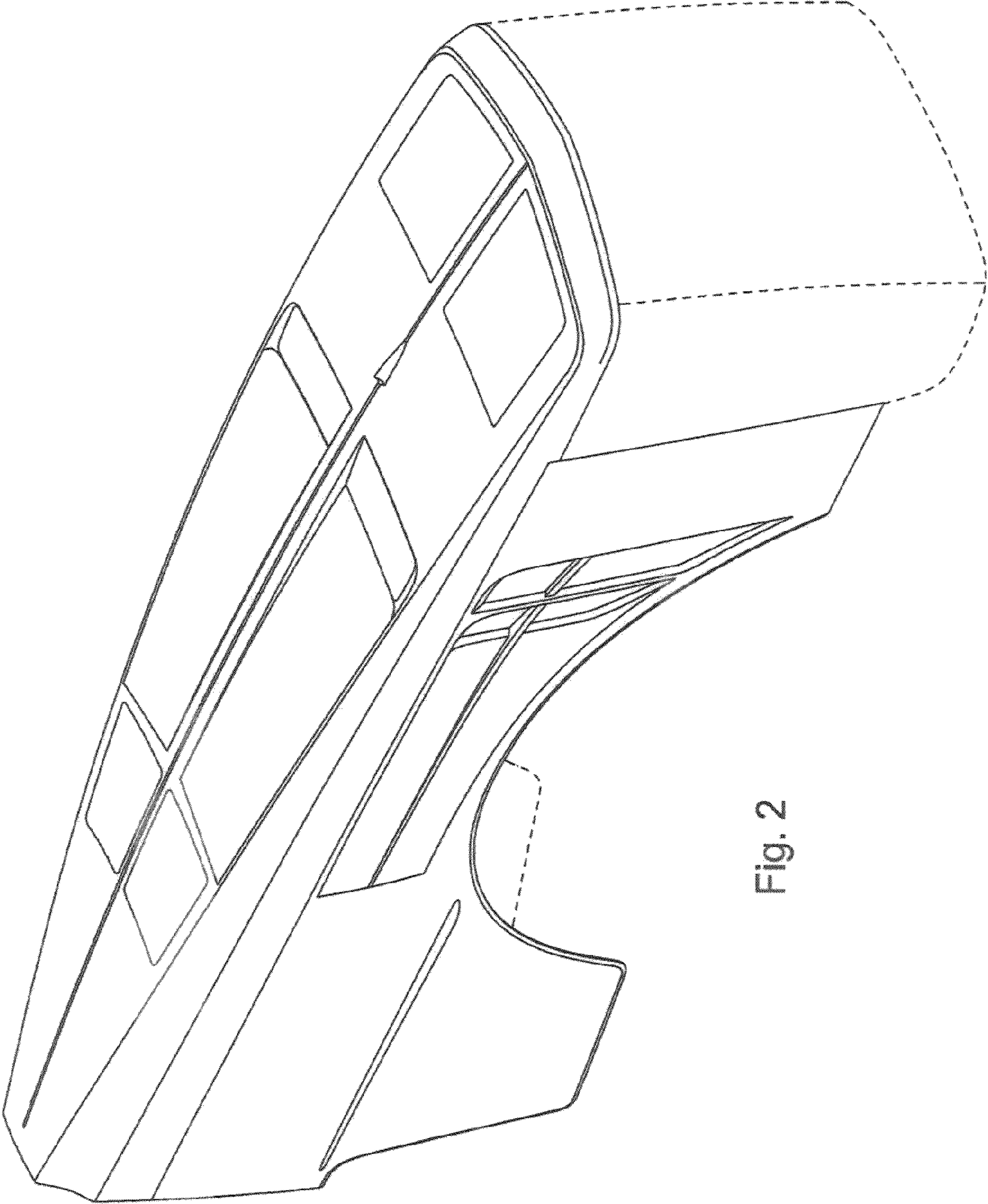


Fig. 2

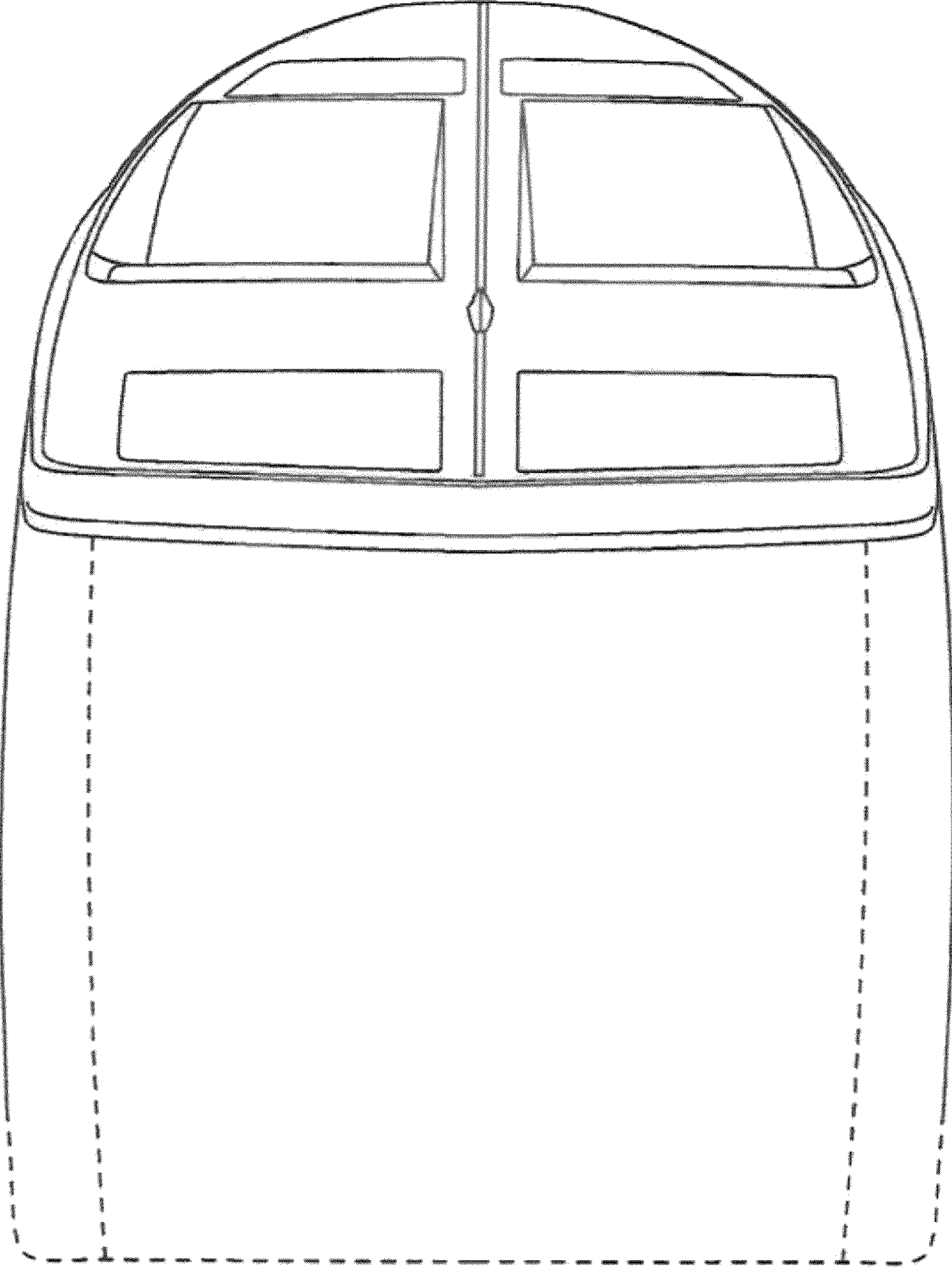


Fig. 3

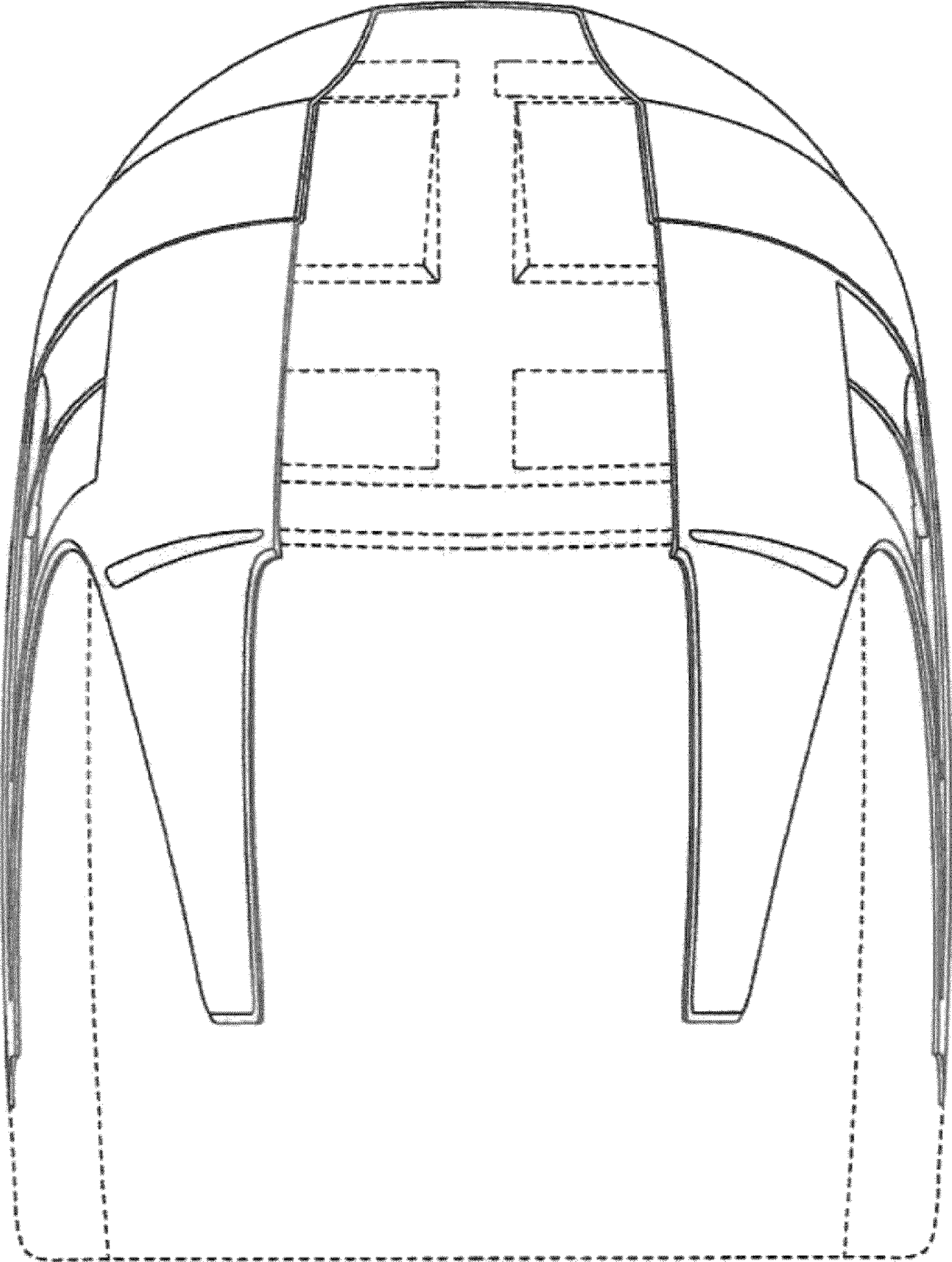


Fig. 4

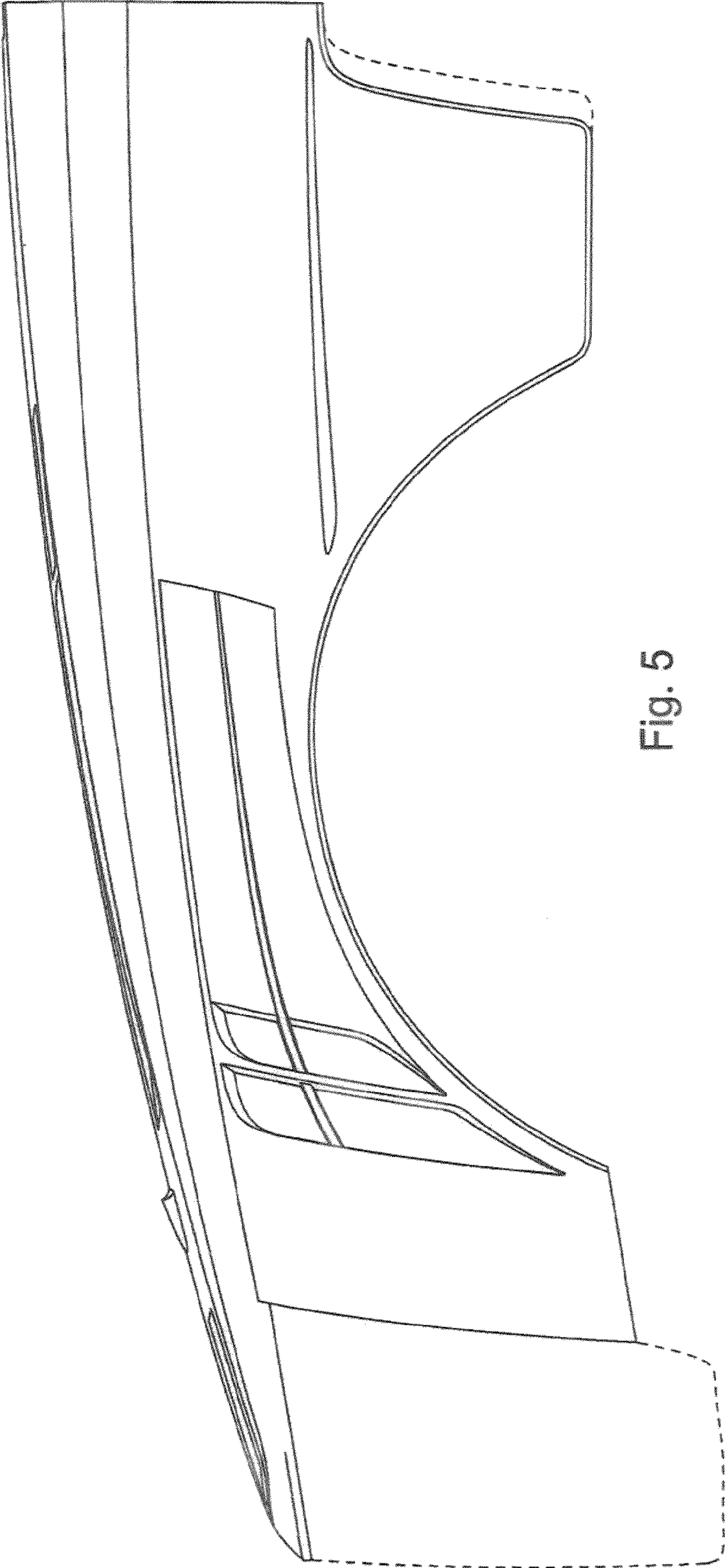


Fig. 5

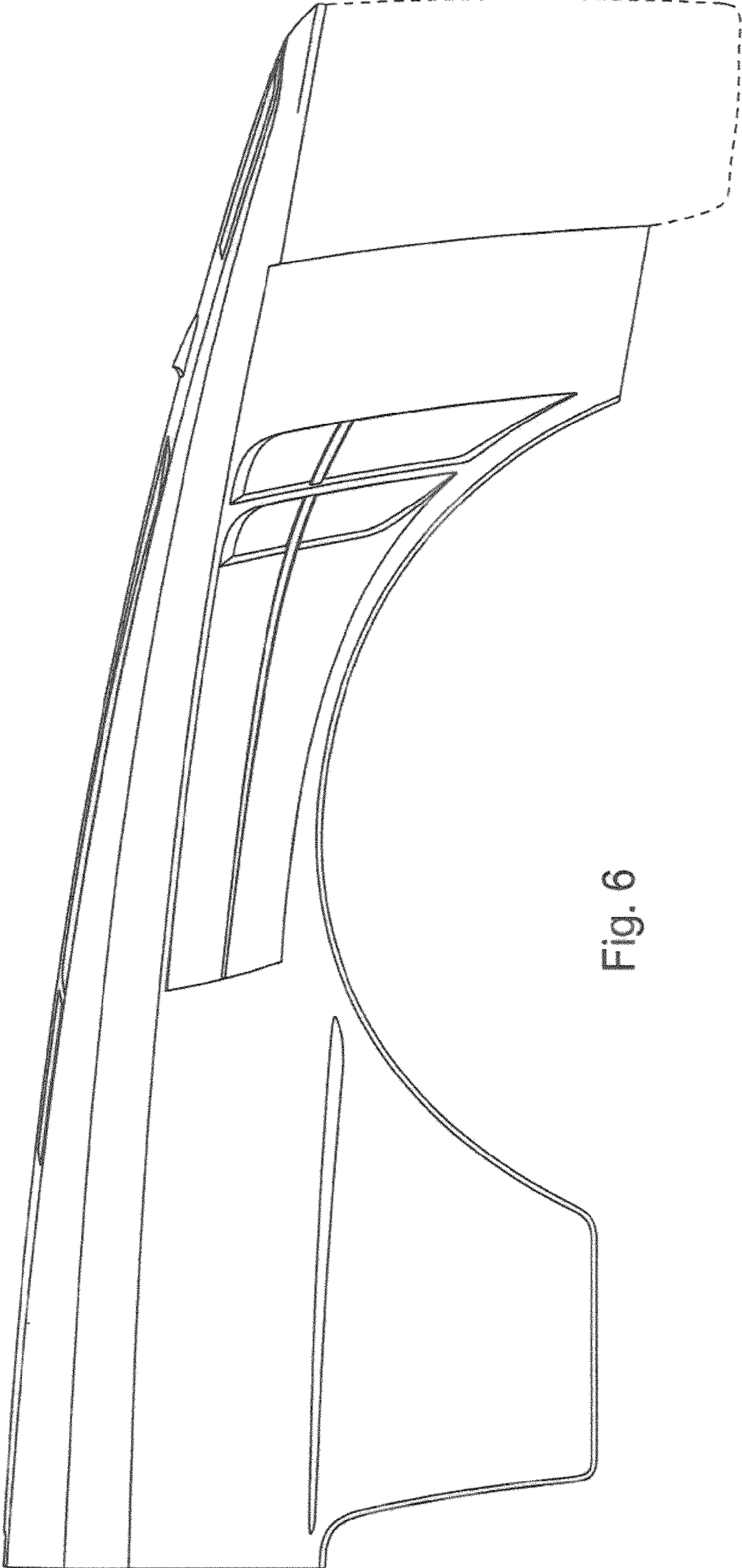


Fig. 6

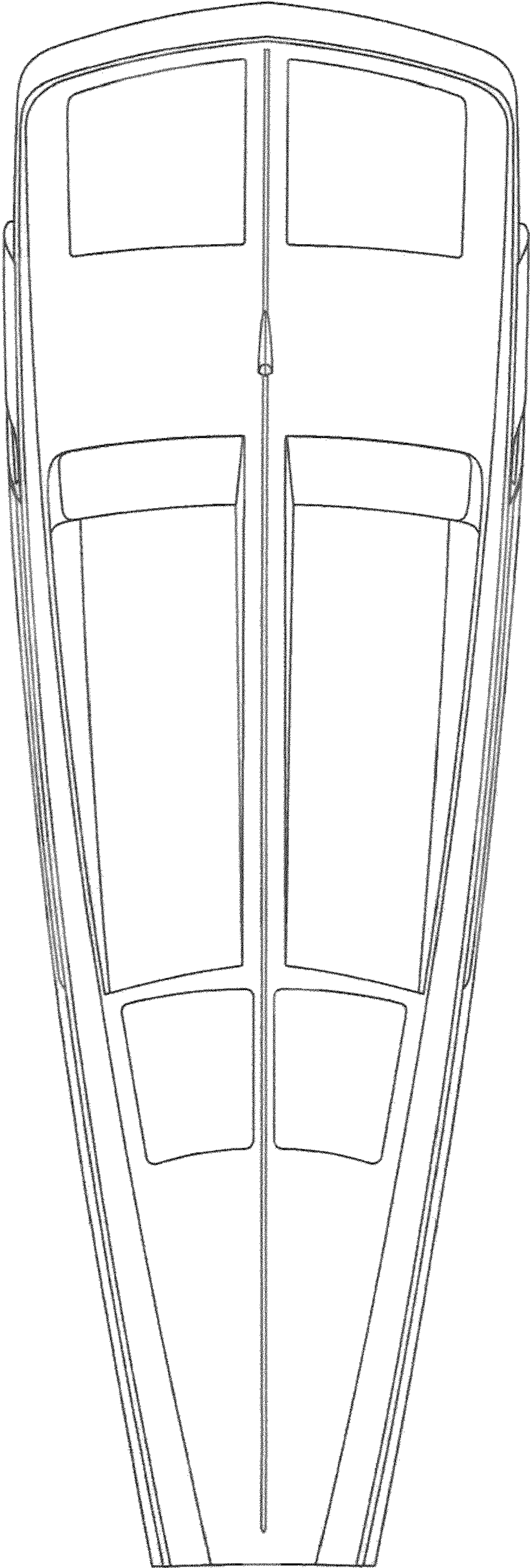


Fig. 7

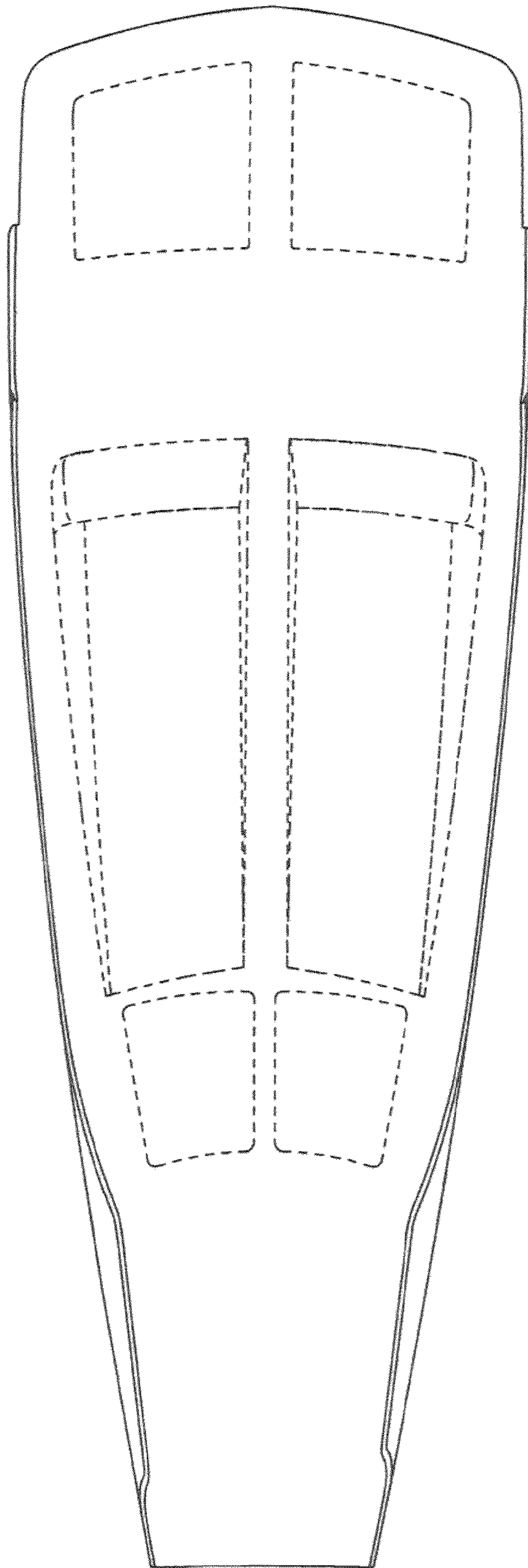


Fig. 8