



US00D661322S

(12) **United States Design Patent**
Ergodan et al.

(10) **Patent No.:** **US D661,322 S**
(45) **Date of Patent:** **** Jun. 5, 2012**

- (54) **TRACTOR LINKAGE HOOK**
- (75) Inventors: **Mehmet Ergodan**, Istanbul (TR); **Mesut Ergodan**, Istanbul (TR); **Muzaffer Cakmakci**, Istanbul (TR)
- (73) Assignee: **Dovsan Dovme Celik ve Metal San ve Tic. Limited Sirketi**, Istanbul (TK)
- (**) Term: **14 Years**
- (21) Appl. No.: **29/366,397**
- (22) Filed: **Jul. 23, 2010**

4,050,715	A *	9/1977	von Allworden	280/508
4,071,263	A *	1/1978	Kunze	280/508
4,108,464	A *	8/1978	von Allworden et al.	280/508
4,147,374	A *	4/1979	Jeffes	280/478.1
4,157,838	A *	6/1979	von Allworden	280/508
4,279,431	A *	7/1981	Schott	280/508
4,366,967	A *	1/1983	Vollmer et al.	280/504
4,398,745	A *	8/1983	Azzarello et al.	280/508
4,790,557	A *	12/1988	Klingler	172/450
5,050,684	A *	9/1991	Vollmer	172/272
5,441,117	A *	8/1995	Fartmann et al.	172/272
5,497,835	A *	3/1996	Laubner et al.	172/272
6,422,322	B1 *	7/2002	Hoffart	172/439
7,225,883	B2 *	6/2007	Yamada et al.	172/272
D620,501	S *	7/2010	Ergodan et al.	D15/28
2005/0115723	A1 *	6/2005	Ollefs et al.	172/439

* cited by examiner

Related U.S. Application Data

- (62) Division of application No. 29/317,291, filed on Apr. 25, 2008, now Pat. No. Des. 620,501.

Foreign Application Priority Data

- Oct. 25, 2007 (TR) 2007/05369
 - (51) **LOC (9) Cl.** **15-03**
 - (52) **U.S. Cl.** **D15/28**
 - (58) **Field of Classification Search** D15/28;
172/439, 272, 275; 280/508, 507, 510, 512,
280/504, 461.1; 37/231
- See application file for complete search history.

References Cited

U.S. PATENT DOCUMENTS

2,295,021	A *	9/1942	Weiss	280/506
2,429,761	A *	10/1947	Ketel	280/506
2,431,694	A *	12/1947	Johnson	280/504
3,977,698	A *	8/1976	von Allworden	172/272
4,014,562	A *	3/1977	Kunze	280/508
4,023,822	A *	5/1977	Geisthoff et al.	280/508

Primary Examiner — Mark Goodwin

(74) *Attorney, Agent, or Firm* — Venable, Campillo, Logan & Meaney, P.C.

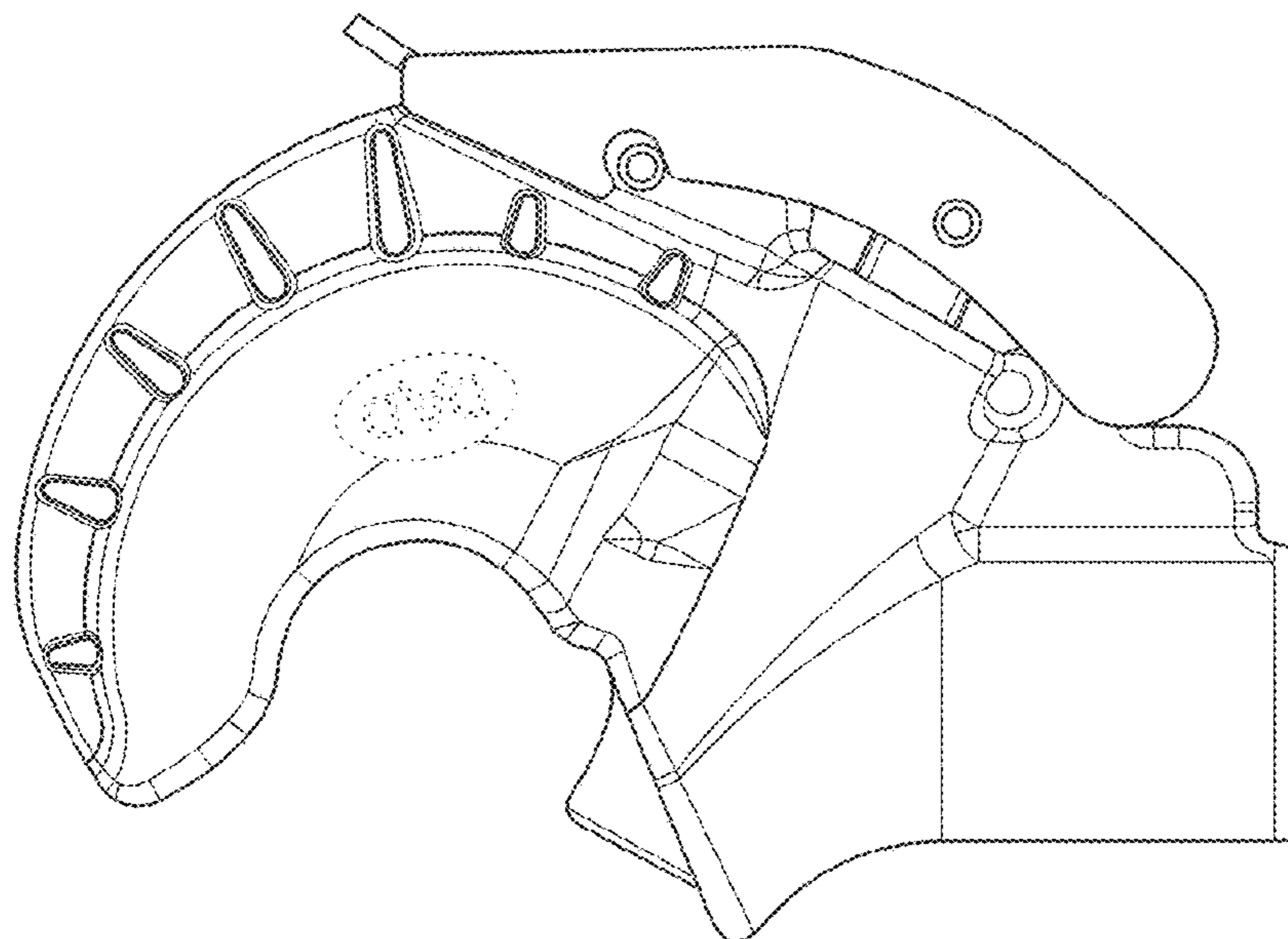
(57) **CLAIM**

The ornamental design for a tractor linkage hook, as shown and described.

DESCRIPTION

FIG. 1 is a side view of a tractor linkage hook showing our new design;
 FIG. 2 is a top plan view thereof;
 FIG. 3 is a perspective view thereof;
 FIG. 4 is an opposite side view of FIG. 1;
 FIG. 5 is a front view thereof; and,
 FIG. 6 is a bottom view thereof.
 FIGS. 1, 3, and 4 include an oval shape with lettering. This feature is shown in broken lines and is disclaimed as part of the claimed invention.

1 Claim, 6 Drawing Sheets



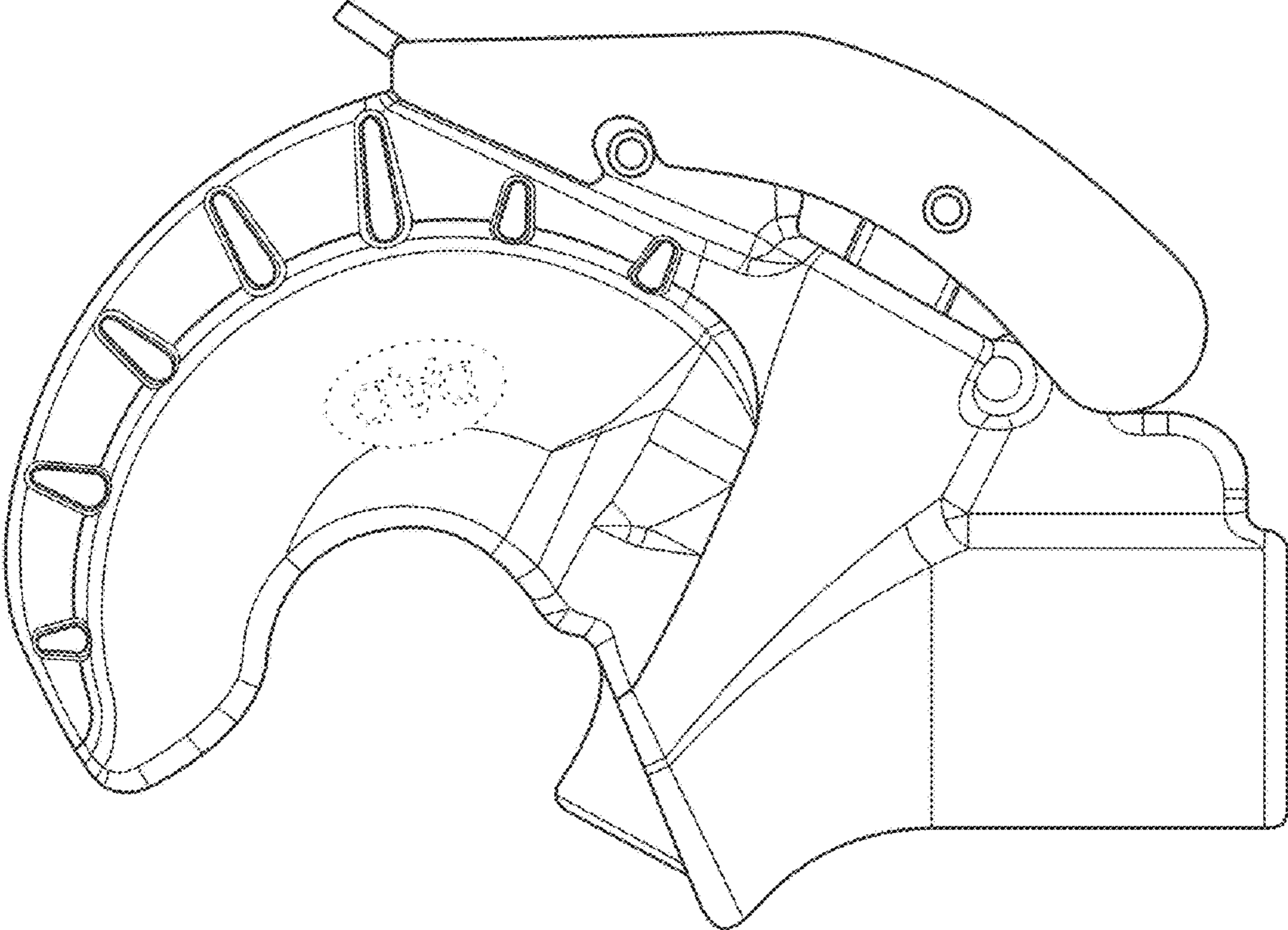


Fig. 1

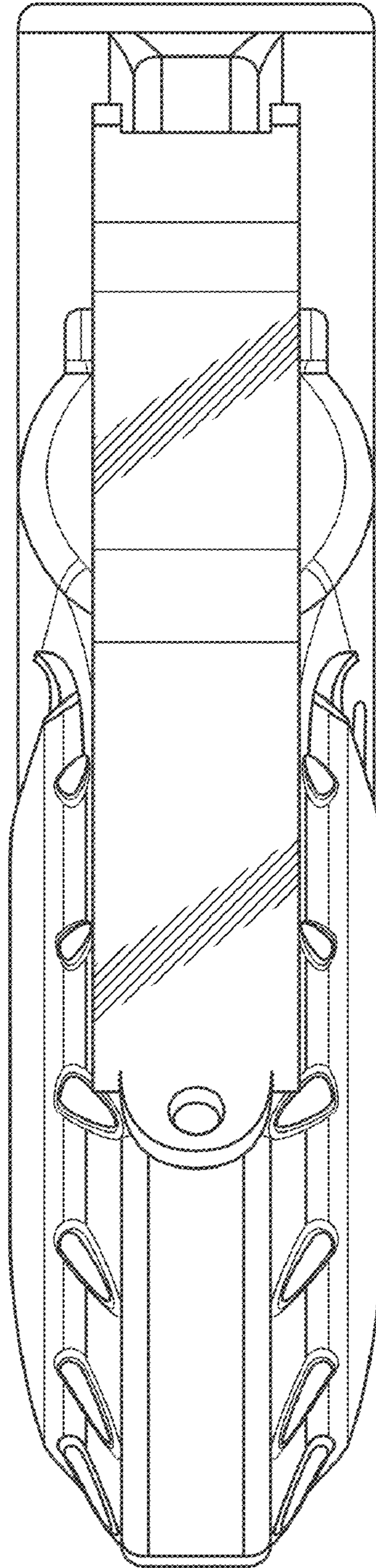


Fig. 2

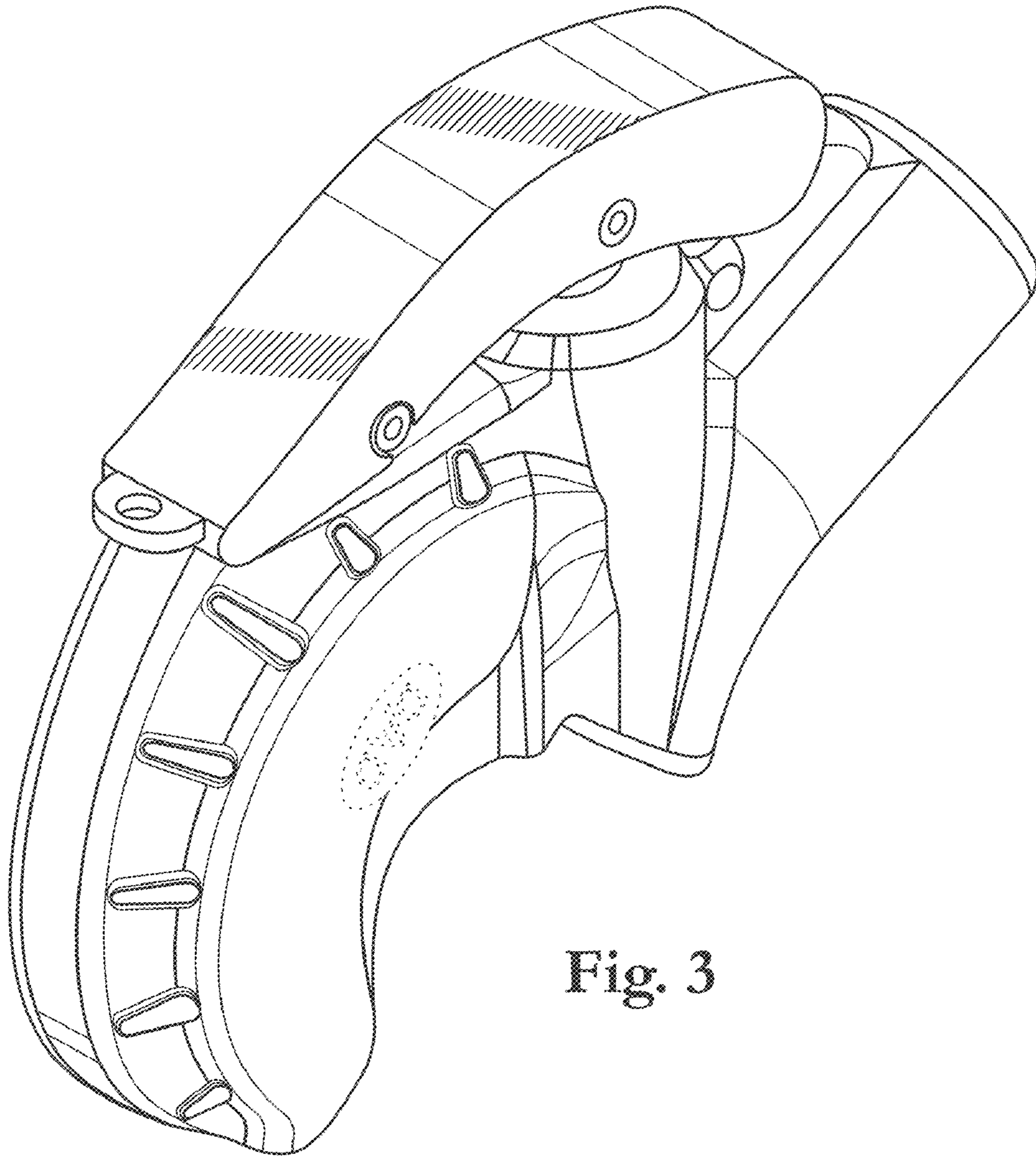


Fig. 3

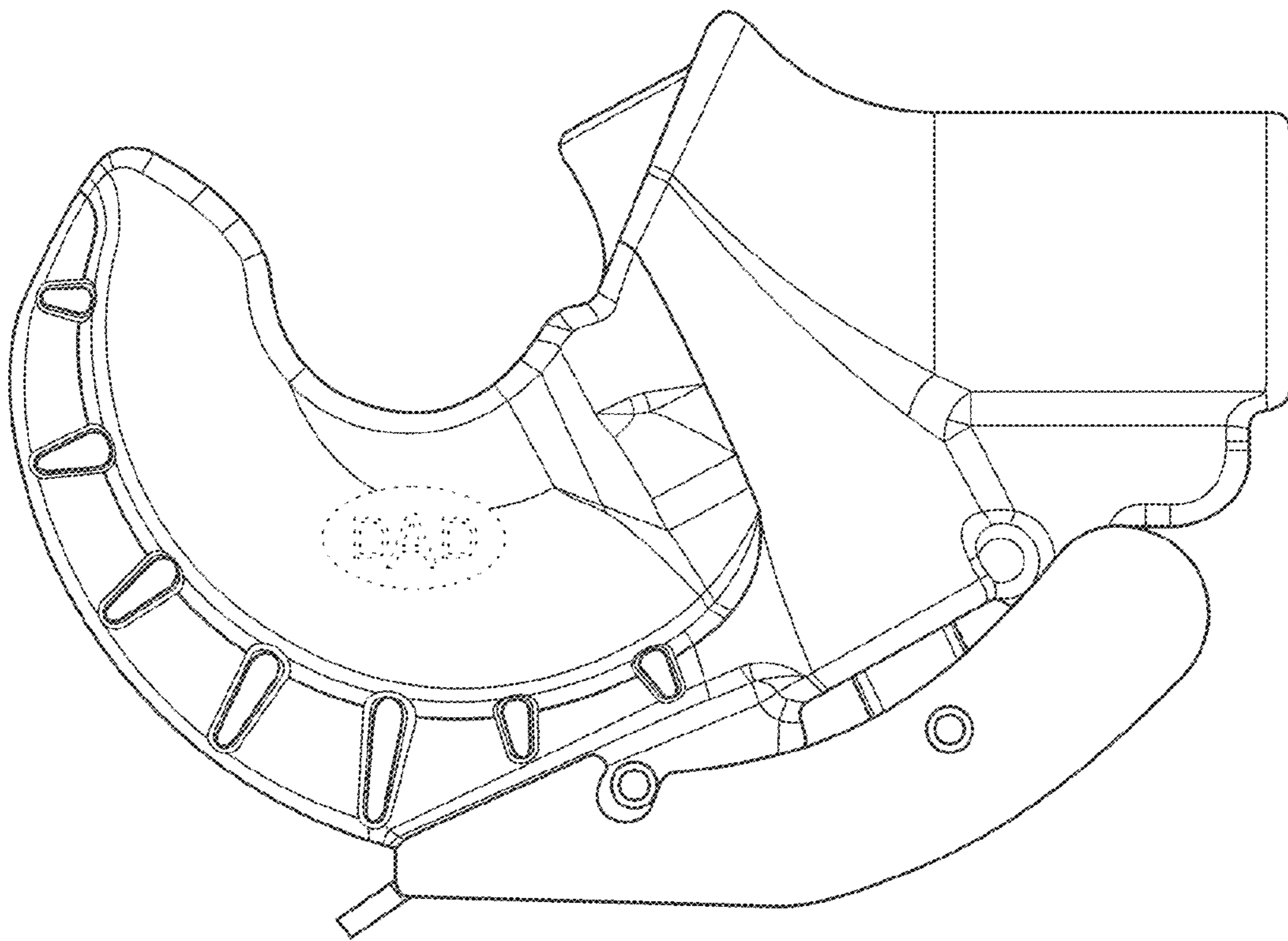


Fig. 4

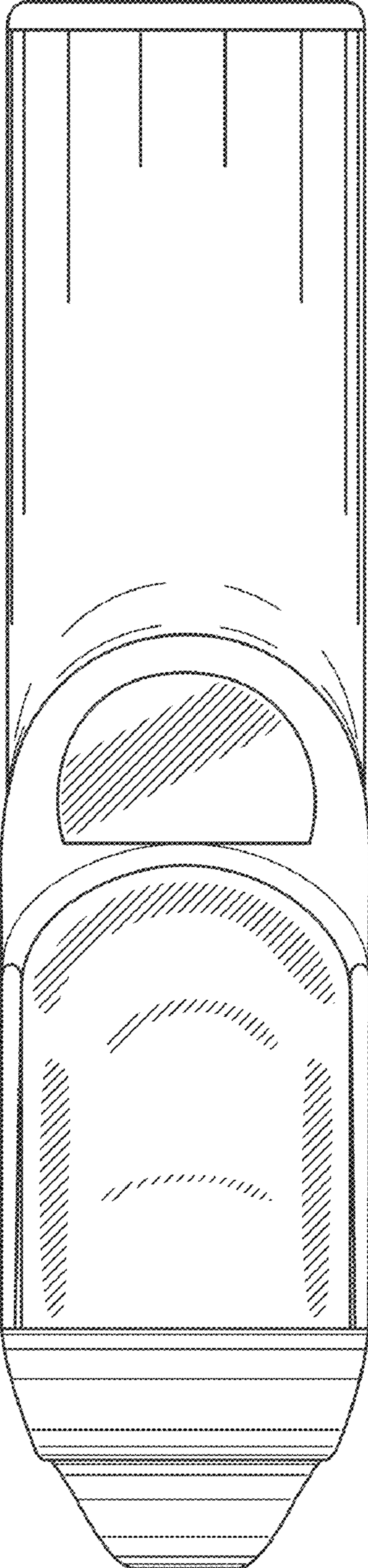


Fig. 5

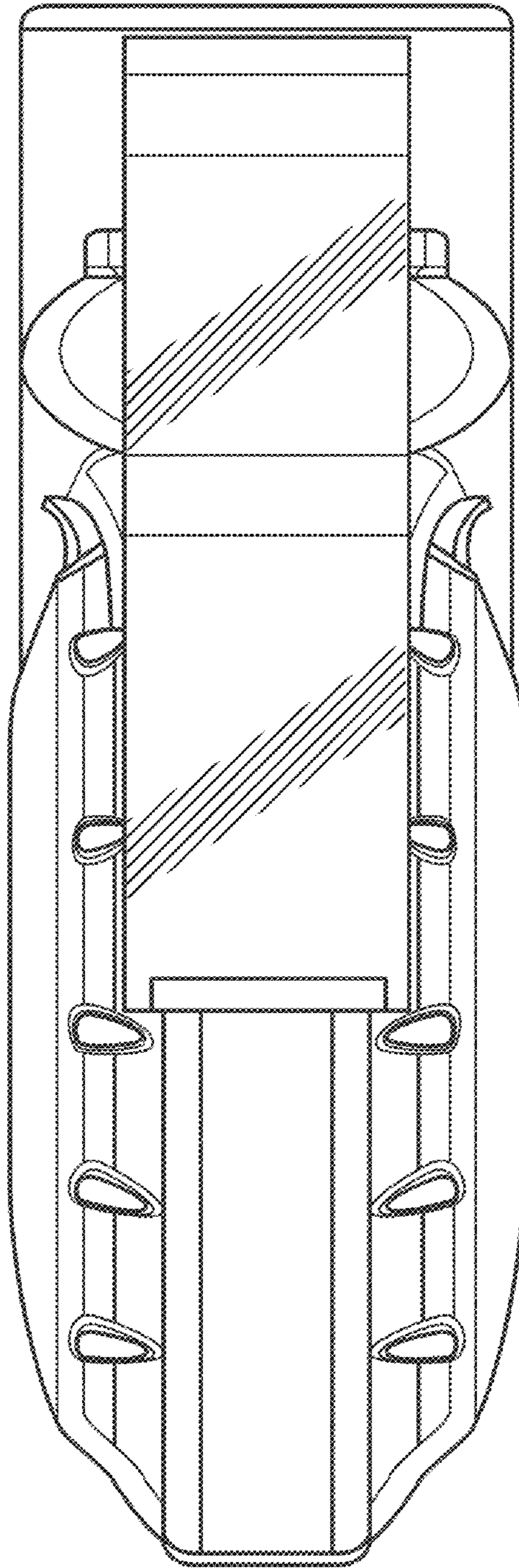


Fig. 6