



US00D661320S

(12) **United States Design Patent**
Armstrong

(10) **Patent No.:** **US D661,320 S**
(45) **Date of Patent:** **** Jun. 5, 2012**

(54) **LAWN ARM ASSEMBLY FOR ATTACHING AN EDGER TO A MOWER**

(75) Inventor: **Robert Andrea Armstrong**, Pompano Beach, FL (US)

(73) Assignee: **Robert Armstrong**, Pompano Beach, FL (US)

(**) Term: **14 Years**

(21) Appl. No.: **29/374,041**

(22) Filed: **Sep. 1, 2011**

(51) **LOC (9) Cl.** **15-03**

(52) **U.S. Cl.** **D15/17**

(58) **Field of Classification Search** D15/14,
D15/15, 17, 28; 56/13.7, 16.7, 12.7, 17.6,
56/13.8, 4.9; 248/52, 65

See application file for complete search history.

(56) **References Cited**

U.S. PATENT DOCUMENTS

3,710,563	A *	1/1973	Polette et al.	56/16.9
4,170,099	A *	10/1979	Owens	56/16.9
4,442,659	A *	4/1984	Enbusk	56/12.7
D278,436	S *	4/1985	Storlie	D15/28
4,965,990	A *	10/1990	Slawson et al.	56/13.7
5,303,532	A *	4/1994	Phillips	56/12.7
D360,639	S *	7/1995	Strother	D15/17
5,694,752	A *	12/1997	Warfield, III	56/13.6
5,730,397	A *	3/1998	Van Niekerk	248/52
5,802,824	A *	9/1998	Aldrich	56/13.7
5,966,914	A *	10/1999	Reents	56/16.7
6,032,443	A *	3/2000	Aldrich	56/13.7
6,125,943	A *	10/2000	Valois	172/15
D436,364	S *	1/2001	Carter	D15/17
D451,932	S *	12/2001	Dockery	D15/28

6,745,549	B1 *	6/2004	Taylor	56/12.7
D492,701	S *	7/2004	DeShong	D15/17
D493,180	S *	7/2004	Crawford	D15/28
6,892,518	B1 *	5/2005	Bares	56/12.7
6,986,238	B1 *	1/2006	Bloodworth	56/12.7
7,128,164	B1 *	10/2006	Boland	172/15
7,603,838	B1 *	10/2009	Henley, Jr.	56/13.7
7,644,565	B2 *	1/2010	Uihlein	56/13.7
D616,904	S *	6/2010	Armstrong	D15/17
7,950,211	B1 *	5/2011	Ta	56/12.7
2002/0083693	A1 *	7/2002	Smith	56/12.7
2003/0079455	A1 *	5/2003	Suchdev et al.	56/16.9
2004/0154277	A1 *	8/2004	Shumate	56/12.7
2004/0221560	A1 *	11/2004	Dunda	56/12.7
2004/0237491	A1 *	12/2004	Heighton et al.	56/12.7
2005/0044834	A1 *	3/2005	Appleyard	56/12.7
2008/0202088	A1 *	8/2008	Angelle	56/12.7
2008/0216459	A1 *	9/2008	Spitzley	56/12.7

* cited by examiner

Primary Examiner — Mark Goodwin

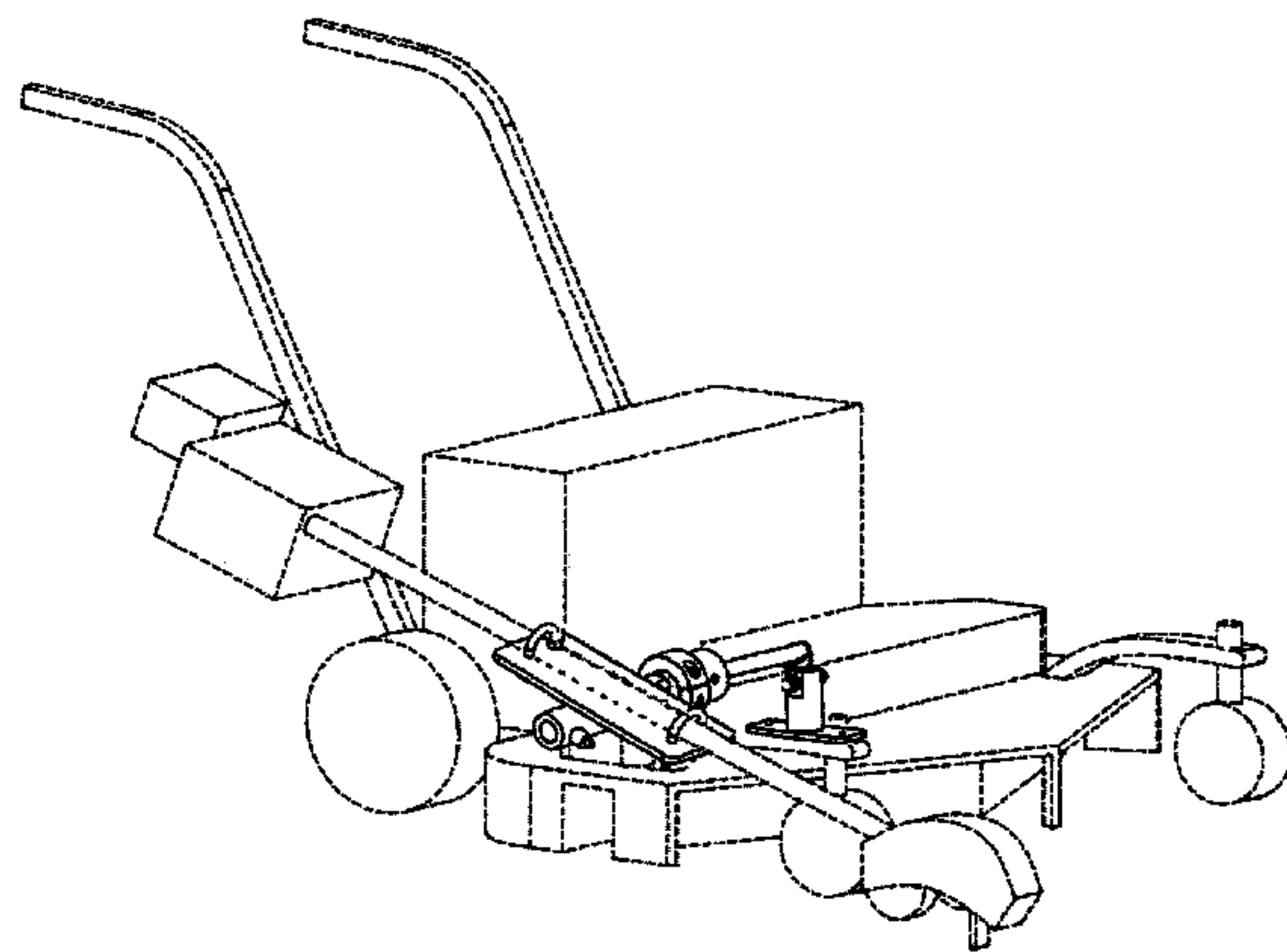
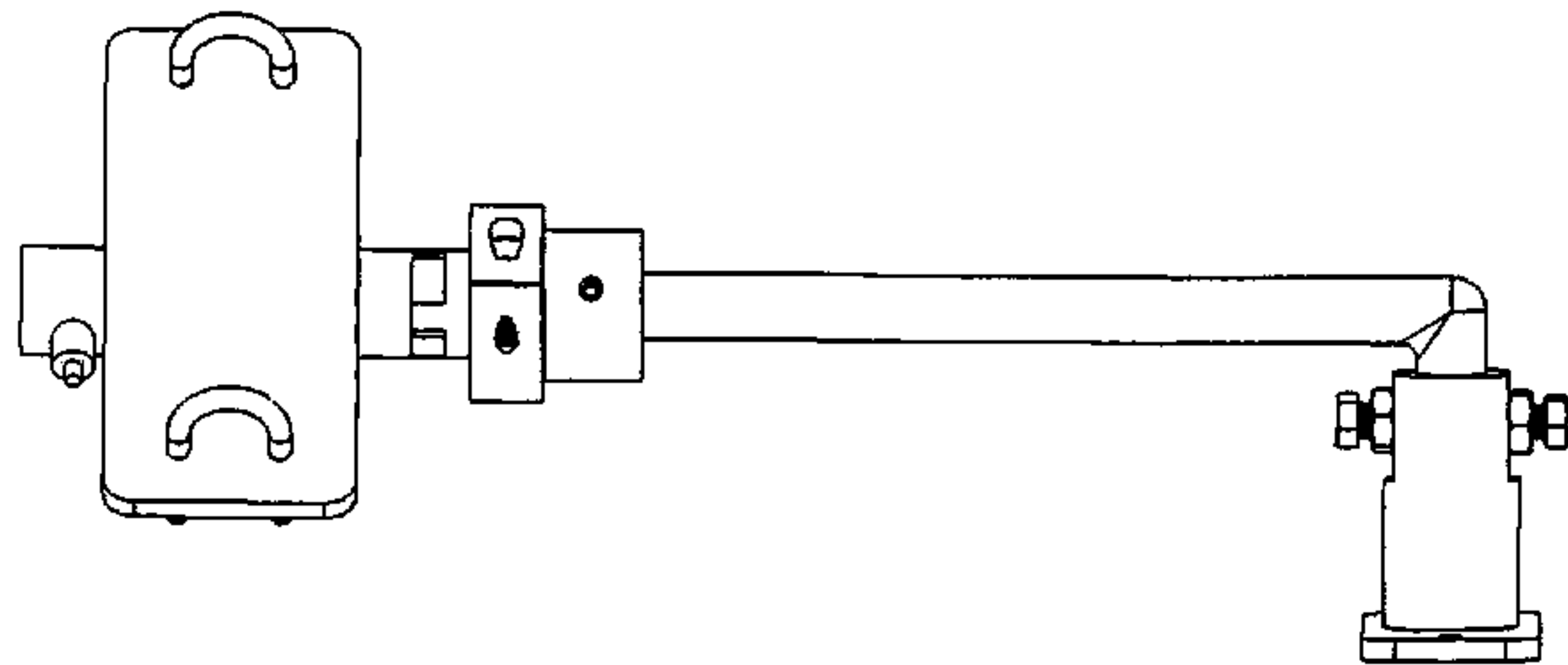
(57) **CLAIM**

The ornamental design for a lawn arm assembly for attaching an edger to a mower, as shown and described.

DESCRIPTION

FIG. 1 is a top plan view of a lawn arm assembly for attaching an edger to a mower showing my new design;
FIG. 2 Is a front elevation thereof;
FIG. 3 Is a right elevation thereof;
FIG. 4 Is a bottom plan view thereof;
FIG. 5 Is a rear elevation thereof;
FIG. 6 is a left elevational view thereof; and,
FIG. 7 is a perspective view thereof shown in use condition. The portions of the drawings being shown in dashed lines are not being claimed.

1 Claim, 4 Drawing Sheets



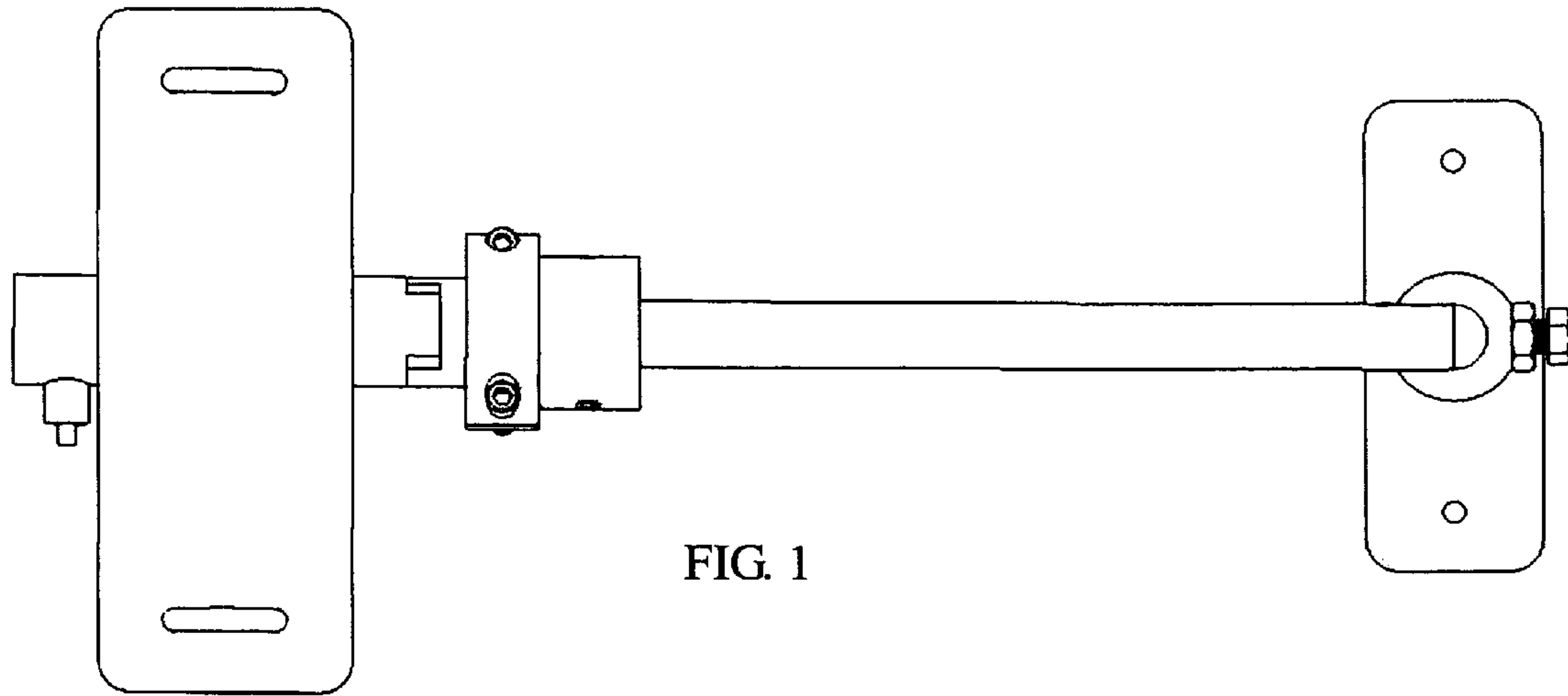


FIG. 1

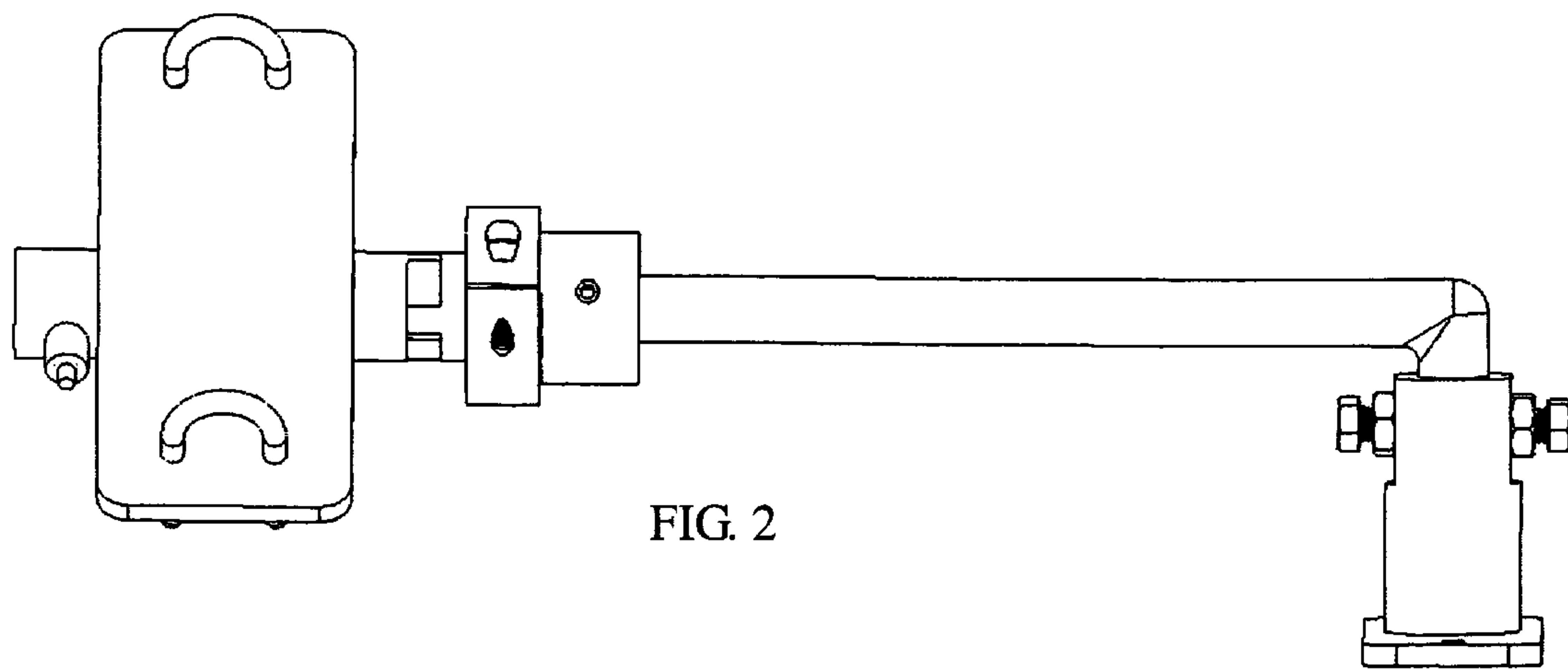


FIG. 2

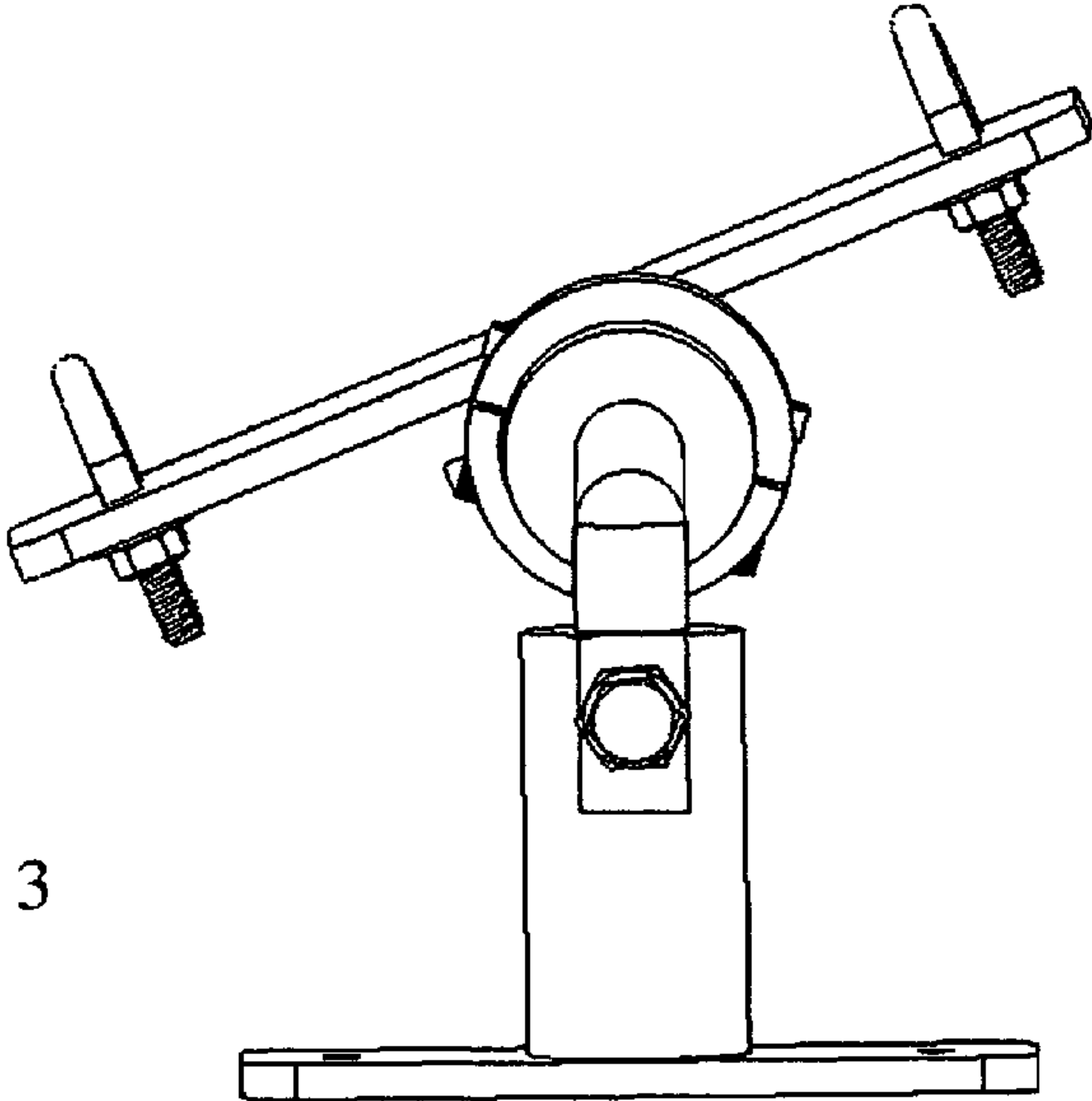


FIG. 3

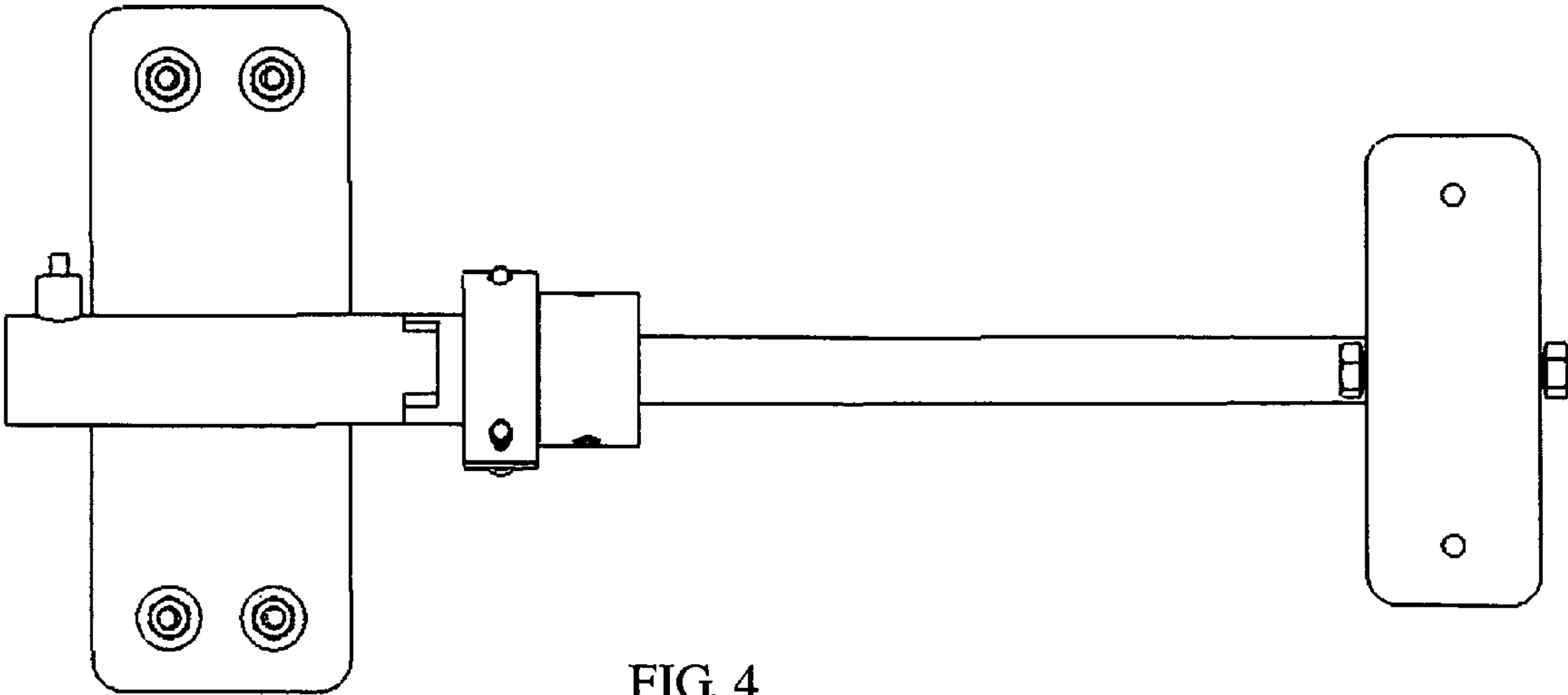


FIG. 4

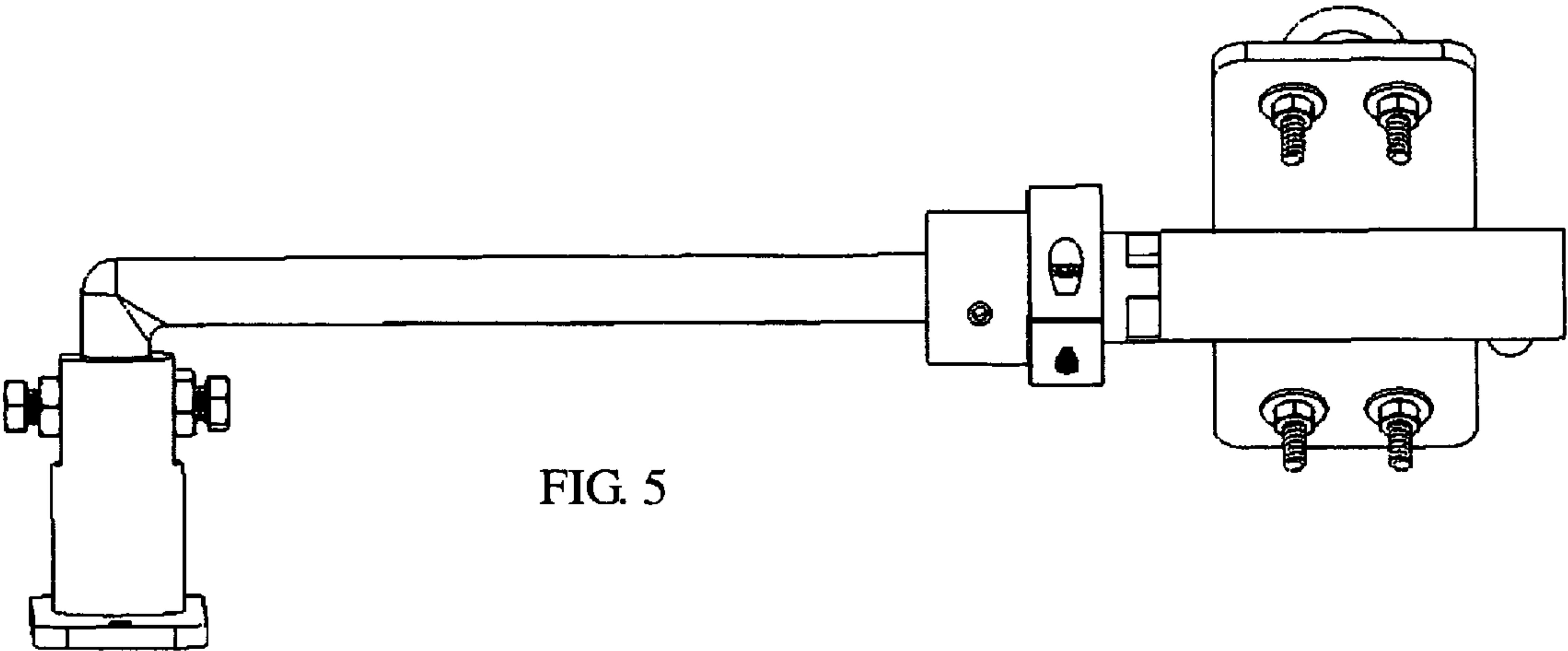
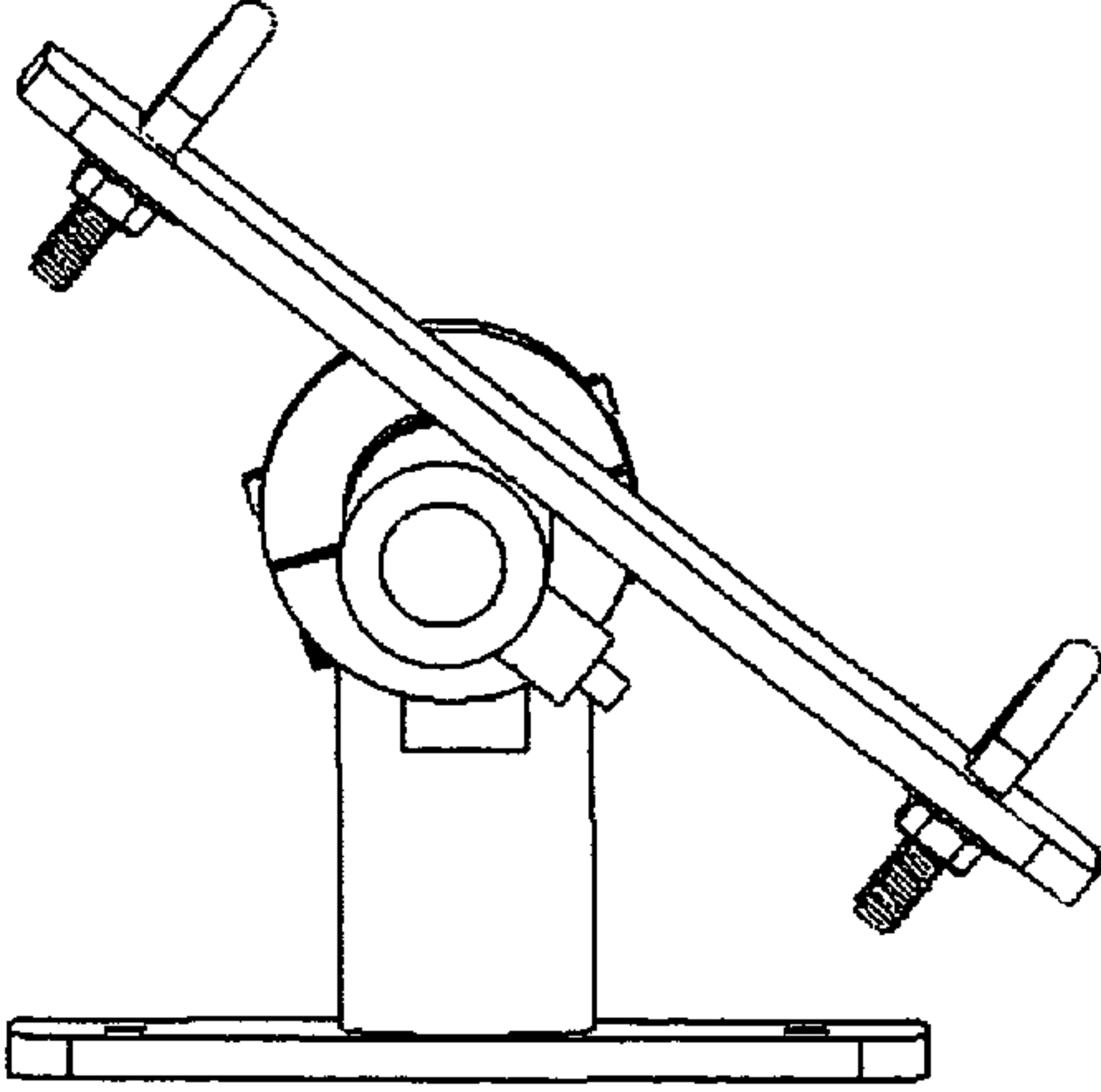


FIG. 5

FIG. 6



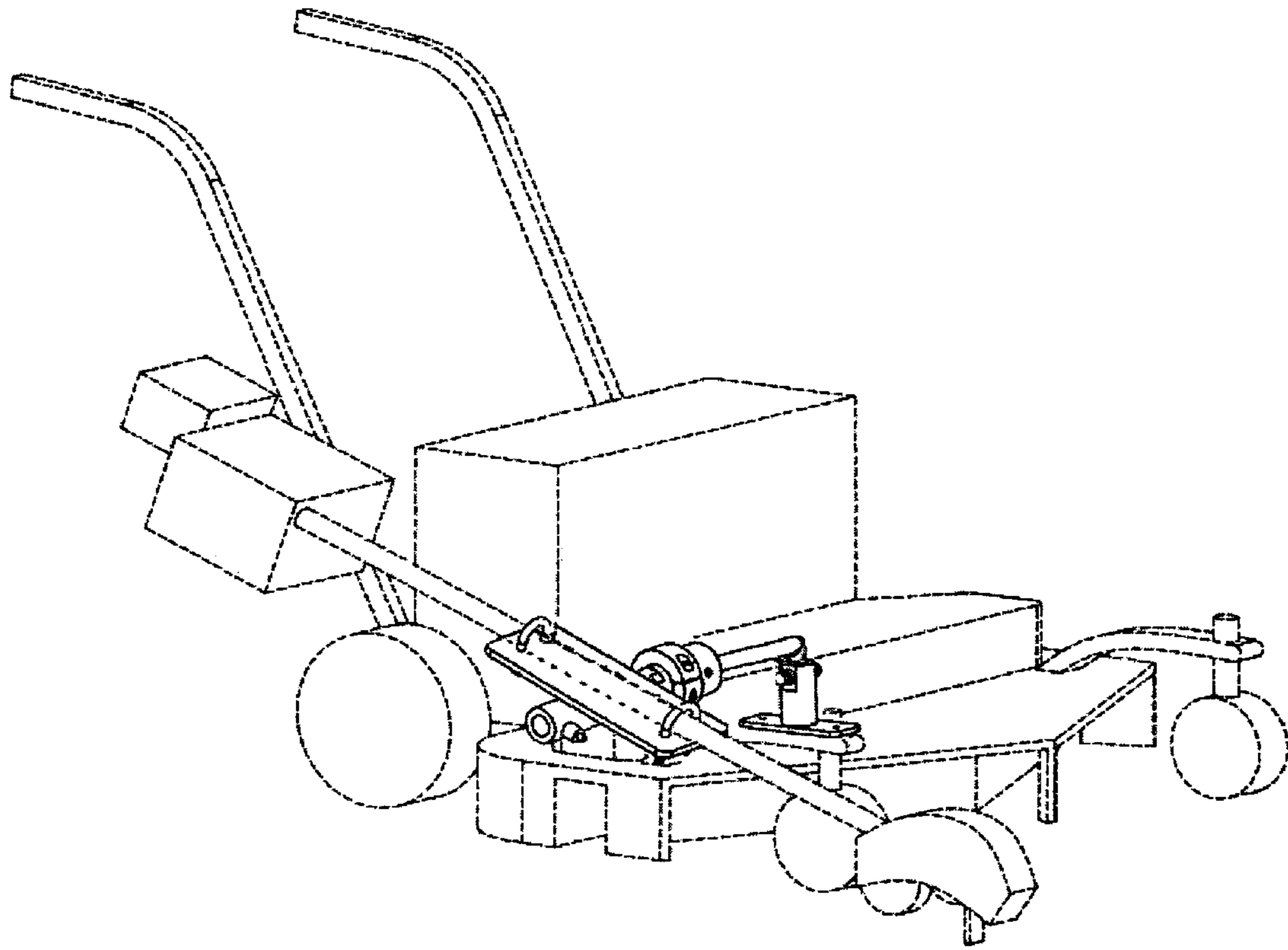


FIG.7