

US00D661311S

(12) **United States Design Patent**
Akana et al.

(10) **Patent No.:** **US D661,311 S**
(45) **Date of Patent:** **** Jun. 5, 2012**

(54) **ELECTRONIC DEVICE**

(56)

References Cited

(75) Inventors: **Jody Akana**, San Francisco, CA (US);
Bartley K. Andre, Menlo Park, CA
(US); **Jeremy Bataillou**, San Francisco,
CA (US); **Daniel J. Coster**, San
Francisco, CA (US); **Daniele De Iuliis**,
San Francisco, CA (US); **Evans**
Hankey, San Francisco, CA (US);
Richard P. Howarth, San Francisco, CA
(US); **Jonathan P. Ive**, San Francisco,
CA (US); **Duncan Robert Kerr**, San
Francisco, CA (US); **Shin Nishibori**,
Portola Valley, CA (US); **Matthew Dean**
Rohrbach, San Francisco, CA (US);
Peter Russell-Clarke, San Francisco,
CA (US); **Christopher J. Stringer**,
Woodside, CA (US); **Eugene Antony**
Whang, San Francisco, CA (US); **Rico**
Zorkendorfer, San Francisco, CA (US)

(73) Assignee: **Apple Inc.**, Cupertino, CA (US)

(**) Term: **14 Years**

(21) Appl. No.: **29/396,407**

(22) Filed: **Jun. 29, 2011**

Related U.S. Application Data

(63) Continuation of application No. 29/390,850, filed on
Apr. 29, 2011, which is a continuation of application
No. 29/345,580, filed on Oct. 19, 2009, now Pat. No.
Des. 651,607.

(51) **LOC (9) Cl.** **14-02**

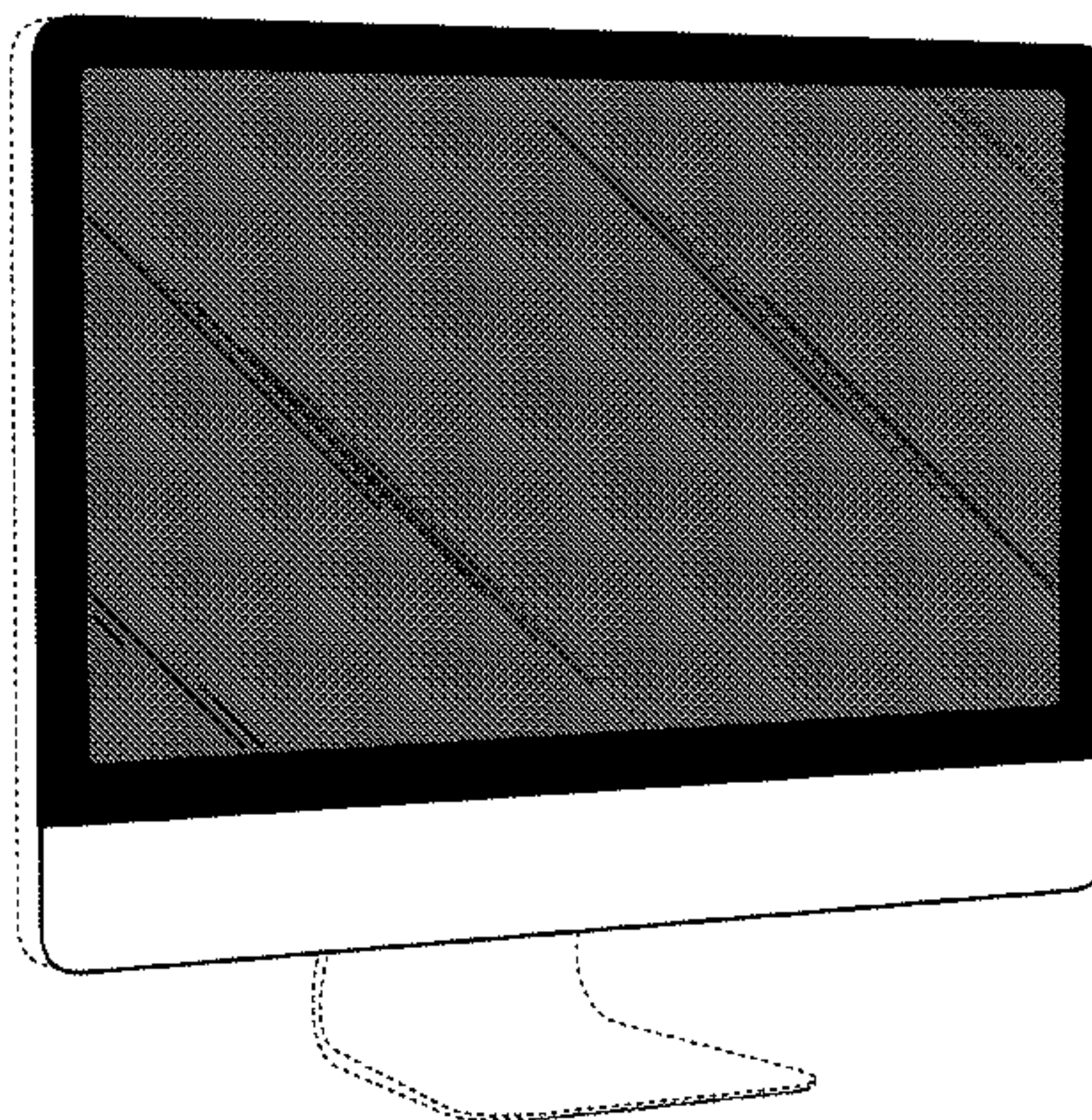
(52) **U.S. Cl.** **D14/448**

(58) **Field of Classification Search** D14/448,
D14/449, 450, 439, 440, 432, 371, 372, 373,
D14/374, 375, 376, 377, 378, 379, 380, 381,
D14/382, 336, 337, 125, 126, 127, 239; D6/300,
D6/308, 310; 345/905; 348/184, 739, 761,
348/766, 789, 790, 794, 825, 836, 840; 349/58;
248/917-924

See application file for complete search history.

U.S. PATENT DOCUMENTS

D401,574 S	11/1998	Leman et al.	
D416,549 S	11/1999	Coster et al.	
D416,876 S	11/1999	Yin	
D416,877 S	11/1999	Liu et al.	
D423,475 S	4/2000	Maruyama et al.	
D425,035 S	5/2000	Kondo et al.	
D428,415 S	7/2000	Shibata	
D434,763 S	12/2000	Jobs et al.	
D453,022 S	1/2002	Oba	
D454,352 S	3/2002	Love et al.	
6,381,125 B1	4/2002	Mizoguchi et al.	
D457,864 S	5/2002	Bong et al.	
D483,020 S	12/2003	Nagao et al.	
D483,363 S	12/2003	Olson et al.	
D489,042 S	4/2004	Joe et al.	
D492,291 S	6/2004	Takahashi et al.	
D495,706 S	9/2004	Lin et al.	
D499,097 S	11/2004	Tsuji et al.	
D504,876 S	5/2005	Zheng	
D504,889 S	5/2005	Andre et al.	
D510,730 S	10/2005	Asanuma et al.	
D516,557 S	3/2006	Noda et al.	
D520,006 S	5/2006	Chen et al.	
D529,913 S	10/2006	Chen et al.	
D531,631 S	11/2006	Andre et al.	
D532,011 S	11/2006	Andre et al.	
D541,234 S	4/2007	Iijima et al.	
D541,278 S	4/2007	Hsu et al.	
D541,799 S	5/2007	Andre et a	
D543,517 S	5/2007	Chikuma et al.	
7,232,098 B2	6/2007	Rawlings et al.	
D545,820 S	7/2007	Won et al.	
D556,755 S	12/2007	Lee et al.	
D562,274 S	2/2008	Wang	
D565,518 S	4/2008	Tu	
D566,066 S	4/2008	Wang	
D567,196 S	4/2008	Shih	
D598,446 S	8/2009	Pan et al.	
D600,696 S	9/2009	Andre et al.	
D604,733 S	11/2009	Andre et al.	
D605,193 S	12/2009	Andre et al.	
D609,705 S	* 2/2010	Andre et al.	D14/374
D610,138 S	* 2/2010	Andre et al.	D14/336
D618,241 S	* 6/2010	Akana et al.	D14/374
D618,242 S	* 6/2010	Akana et al.	D14/374
D620,932 S	* 8/2010	Andre et al.	D14/336
D621,830 S	* 8/2010	Andre et al.	D14/336
D621,841 S	* 8/2010	Andre et al.	D14/448
D638,013 S	* 5/2011	Andre et al.	D14/374



7,965,498	B2 *	6/2011	Gotham et al.	361/679.21
D645,861	S *	9/2011	Chen	D14/337
2002/0020792	A1	2/2002	Lee	
2003/0189155	A1	10/2003	Serbinski et al.	
2006/0076463	A1	4/2006	Drew	
2006/0237599	A1	10/2006	Ternus et al.	
2011/0075342	A1 *	3/2011	Gotham et al.	361/679.21
2011/0216494	A1 *	9/2011	Gotham et al.	361/679.21

FOREIGN PATENT DOCUMENTS

EM	000868187-0004	*	5/2008
EM	000868187-0005	*	5/2008
EM	000868187-0011	*	5/2008

OTHER PUBLICATIONS

Macworld magazine, Jun. 2007, cover.
 U.S. Appl. No. 29/289,807 entitled "Computer" filed Aug. 1, 2007, as amended Aug. 25, 2009.
 Apple iMac, <http://www.apple.com/imac>, available at least as early as Oct. 10, 2008.
 U.S. Appl. No. 29/326,226 entitled "Monitor" filed Oct. 14, 2008, as amended Aug. 9, 2009.
 U.S. Appl. No. 29/327,929 entitled "Electronic Device" filed Nov. 14, 2008, as amended Jan. 26, 2009.
 U.S. Appl. No. 29/338,530 entitled "Monitor" filed Jun. 12, 2009.
 U.S. Appl. No. 29/345,525 entitled "Computer" filed Aug. 26, 2009.
 U.S. Appl. No. 29/345,722 entitled "Computer" filed Oct. 21, 2009.

* cited by examiner

Primary Examiner — Angela J Lee
 (74) *Attorney, Agent, or Firm* — SAIDMAN DesignLaw Group

(57) **CLAIM**
 The ornamental design for an electronic device, as shown and described.

DESCRIPTION

FIG. 1 is a front perspective view of a first embodiment of an electronic device showing our new design;

FIG. 2 is a rear perspective view thereof;
 FIG. 3 is a front view thereof;
 FIG. 4 is a left side view thereof;
 FIG. 5 is a right side view thereof;
 FIG. 6 is a top view thereof;
 FIG. 7 is a bottom view thereof;
 FIG. 8 is a front perspective view of a second embodiment thereof;
 FIG. 9 is a rear perspective view thereof;
 FIG. 10 is a front view thereof;
 FIG. 11 is a left side view thereof;
 FIG. 12 is a right side view thereof;
 FIG. 13 is a top view thereof;
 FIG. 14 is a bottom view thereof;
 FIG. 15 is a front perspective view of a third embodiment thereof;
 FIG. 16 is a rear perspective view thereof;
 FIG. 17 is a front view thereof;
 FIG. 18 is a right side view thereof;
 FIG. 19 is a left side view thereof;
 FIG. 20 is a top view thereof;
 FIG. 21 is a bottom view thereof;
 FIG. 22 is a front perspective view of a fourth embodiment thereof;
 FIG. 23 is a rear perspective view thereof;
 FIG. 24 is a front view thereof;
 FIG. 25 is a right side view thereof;
 FIG. 26 is a left side view thereof;
 FIG. 27 is a top view thereof; and,
 FIG. 28 is a bottom view thereof.
 The broken lines are for the purpose of illustrating portions of the electronic device and form no part of the claimed design. The black shading on the front of the monitor represents the color black and the dark gray shading on the front of the monitor represents the color gray. The light gray shading represents a metallic-looking surface.

1 Claim, 20 Drawing Sheets

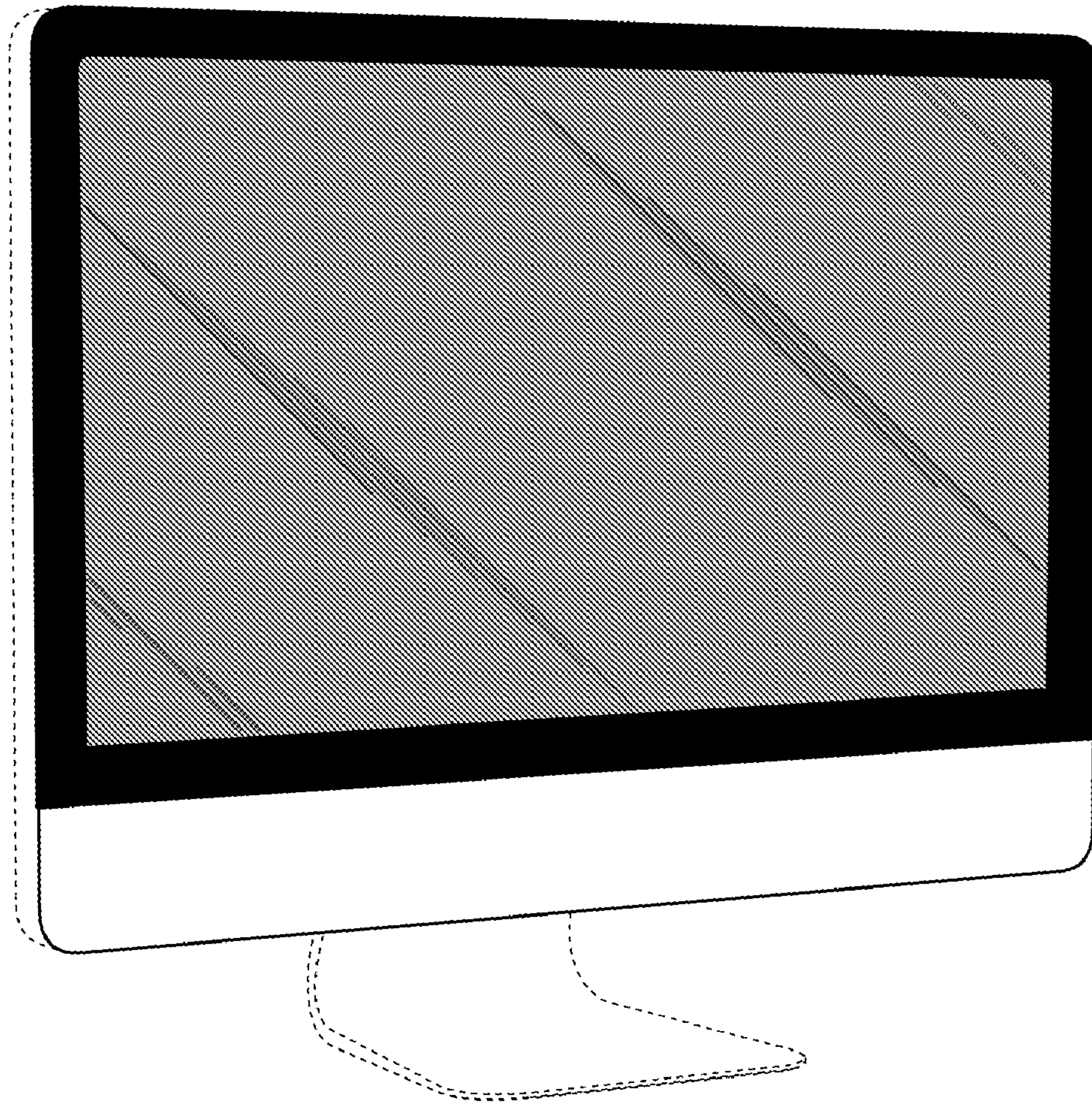


Fig. 1

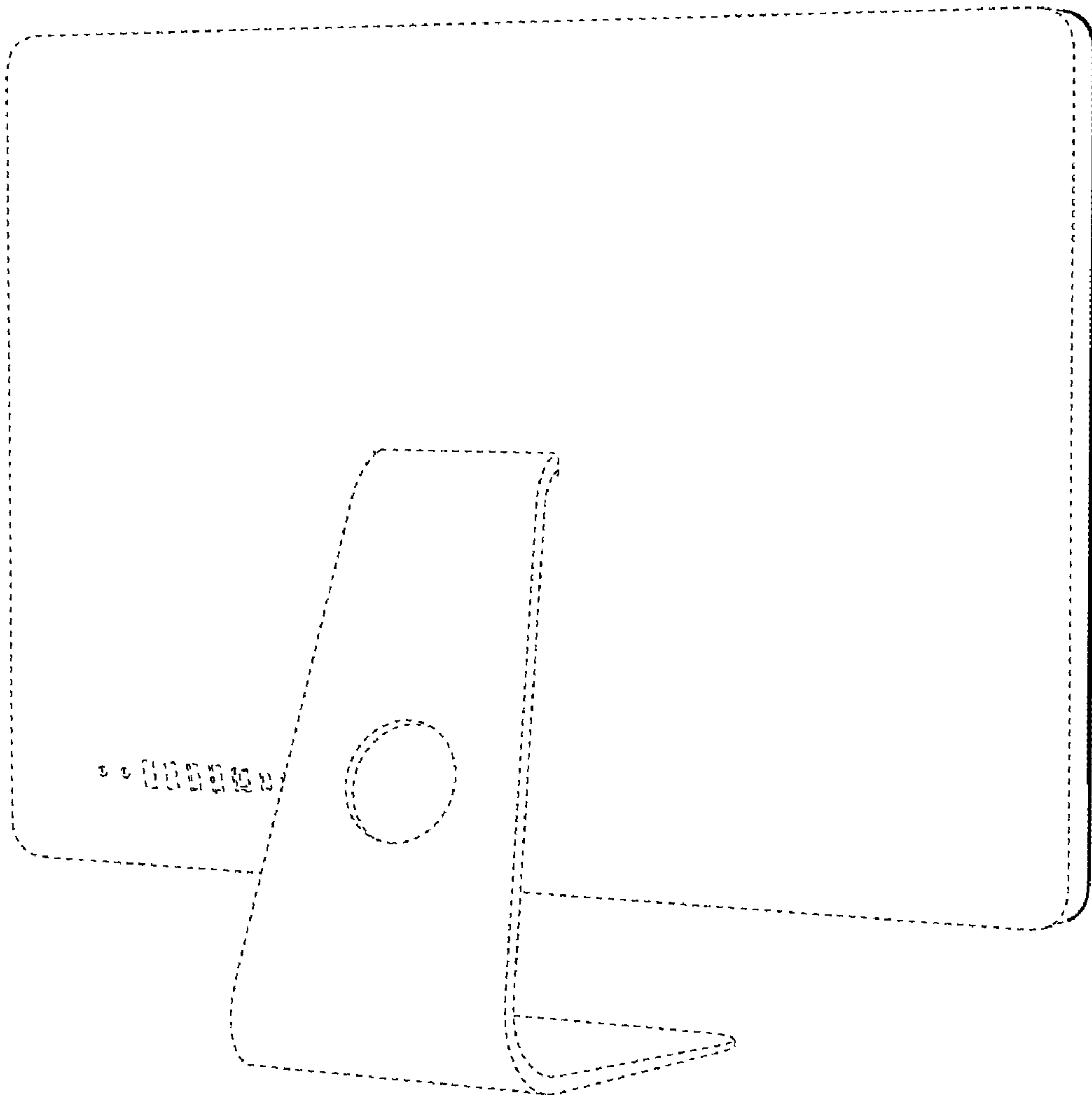


Fig. 2

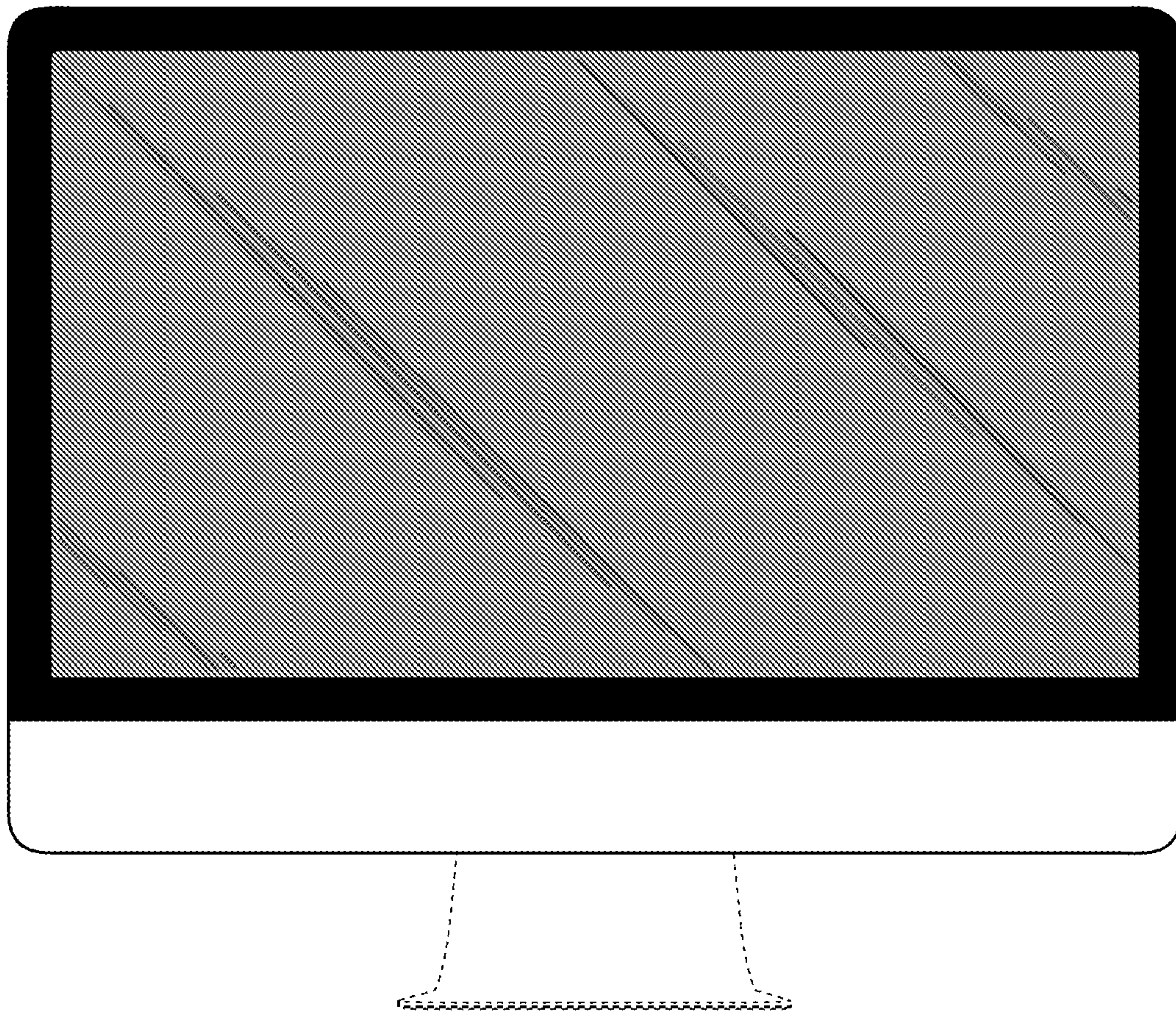


Fig. 3

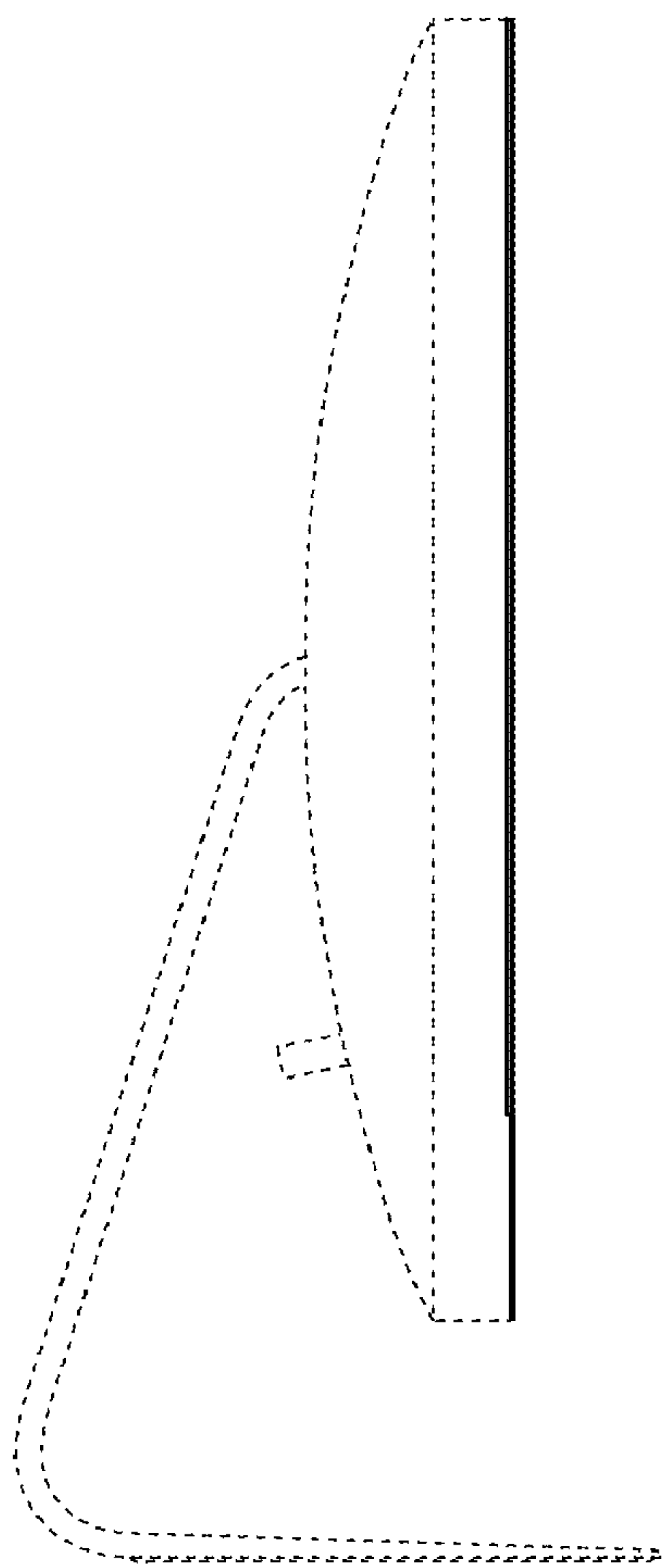


Fig. 4

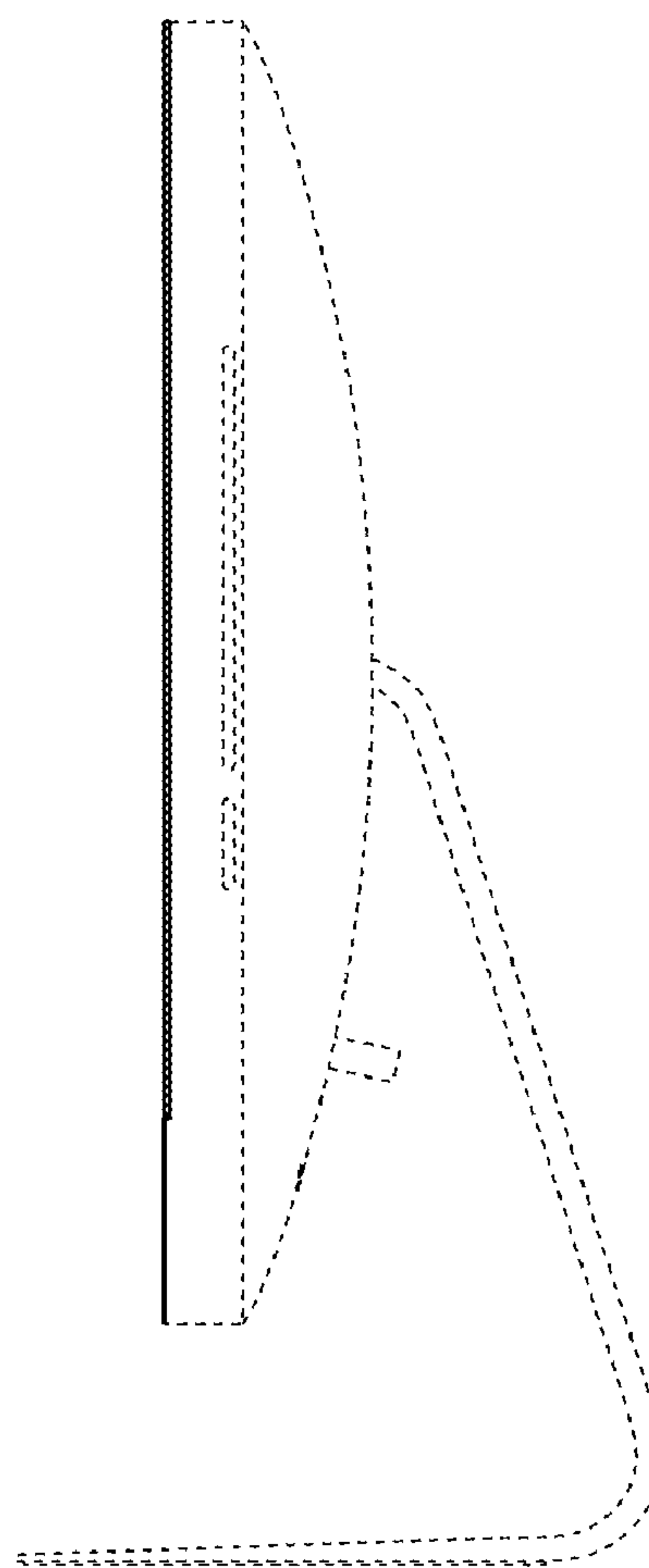


Fig. 5

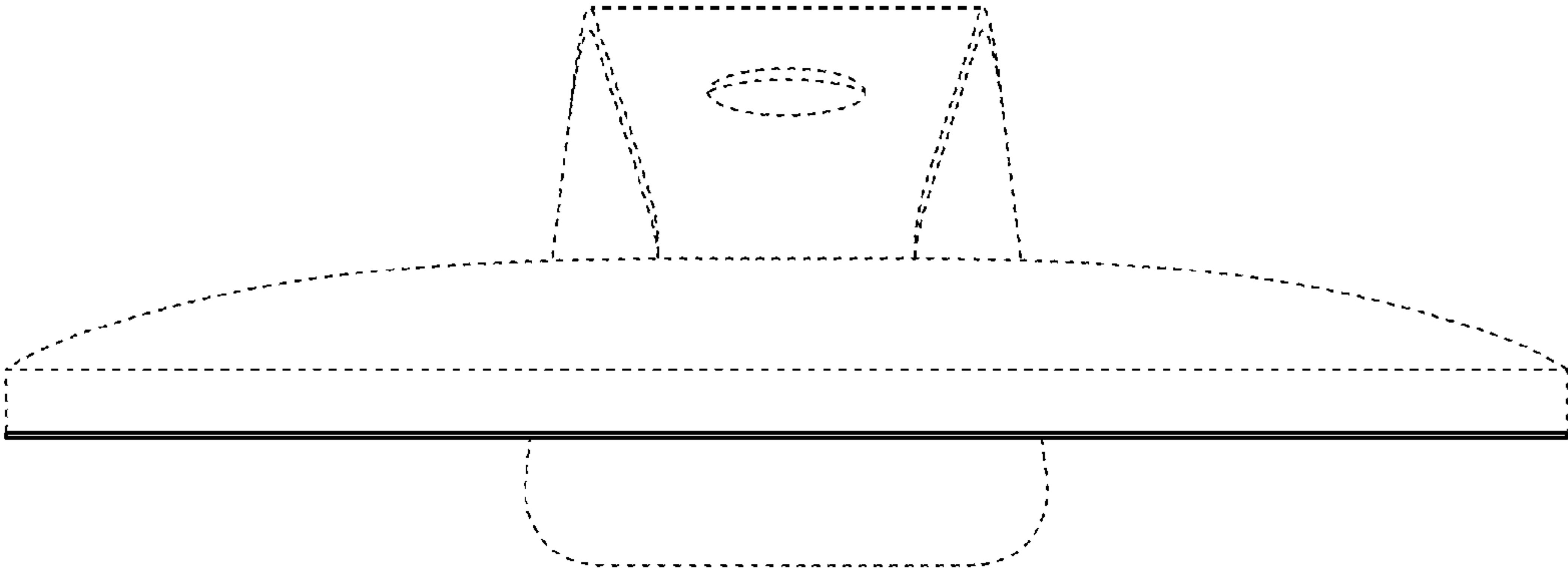


Fig. 6

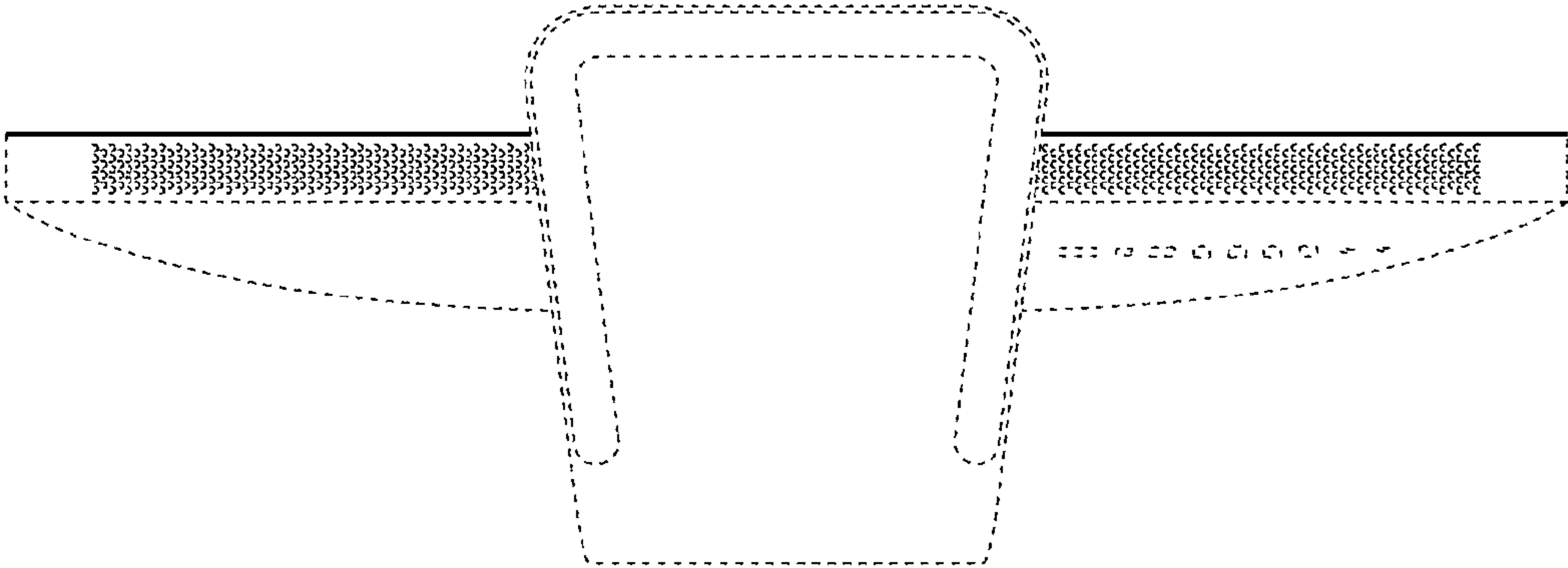


Fig. 7

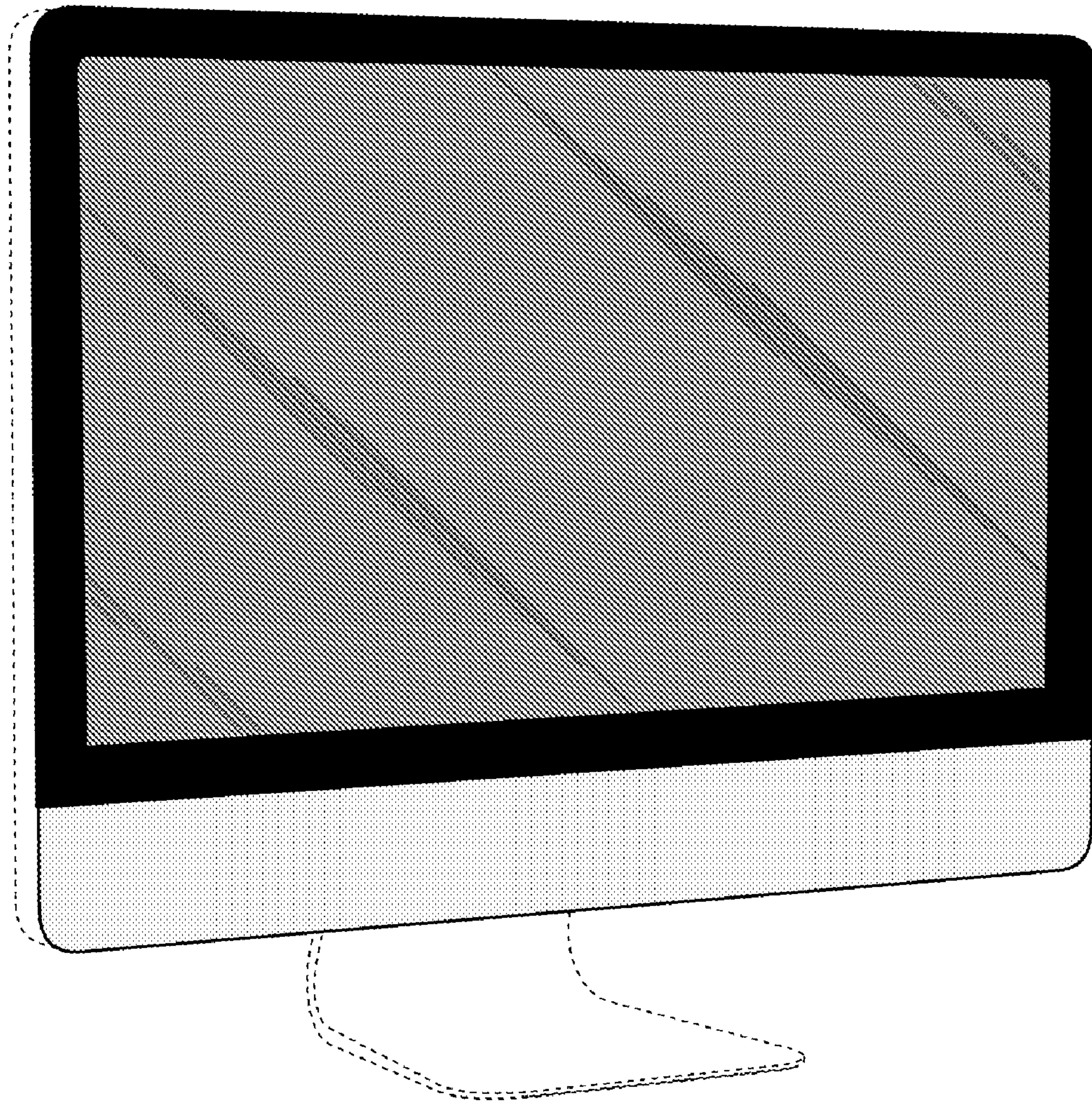


Fig. 8

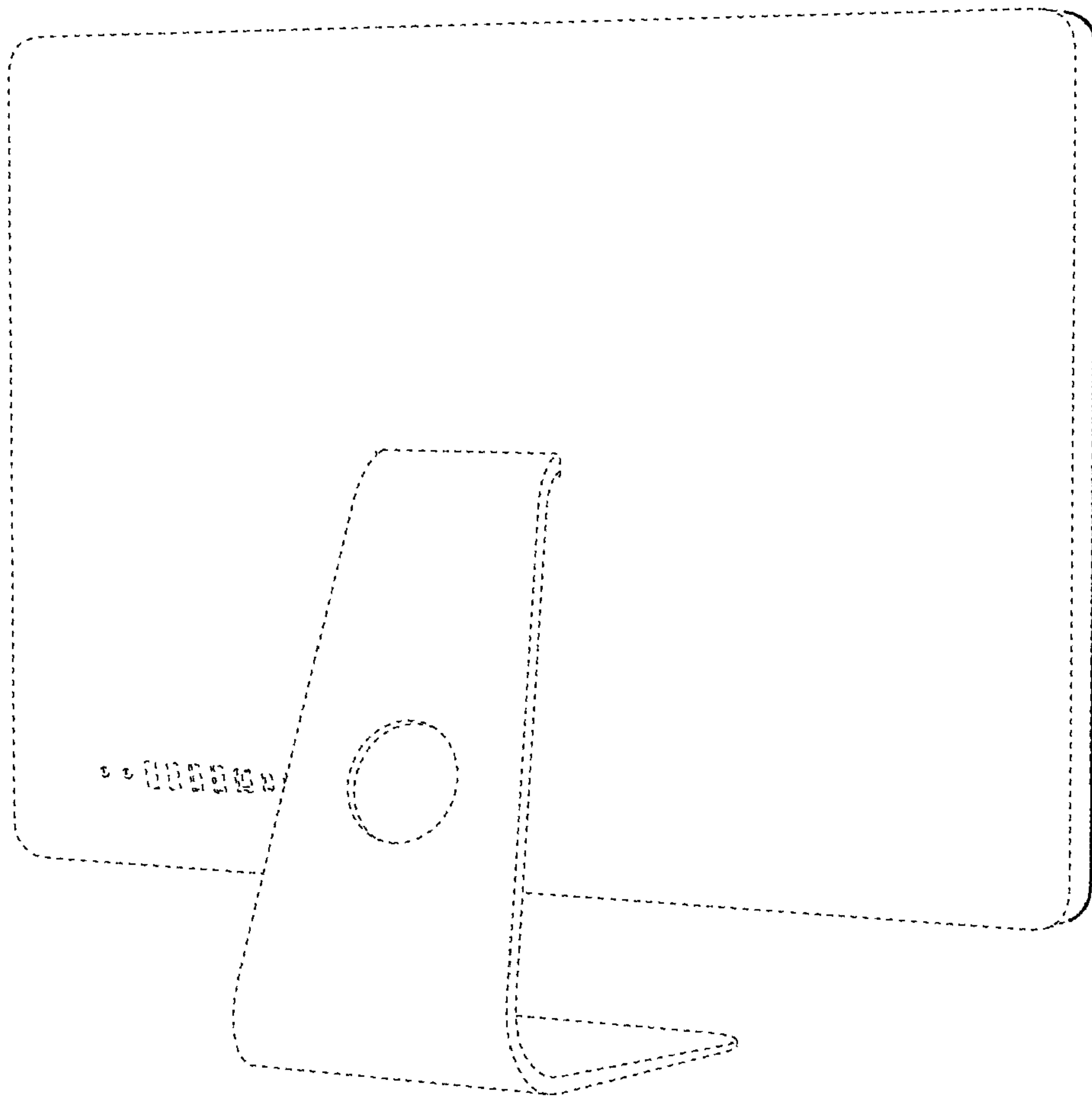


Fig. 9

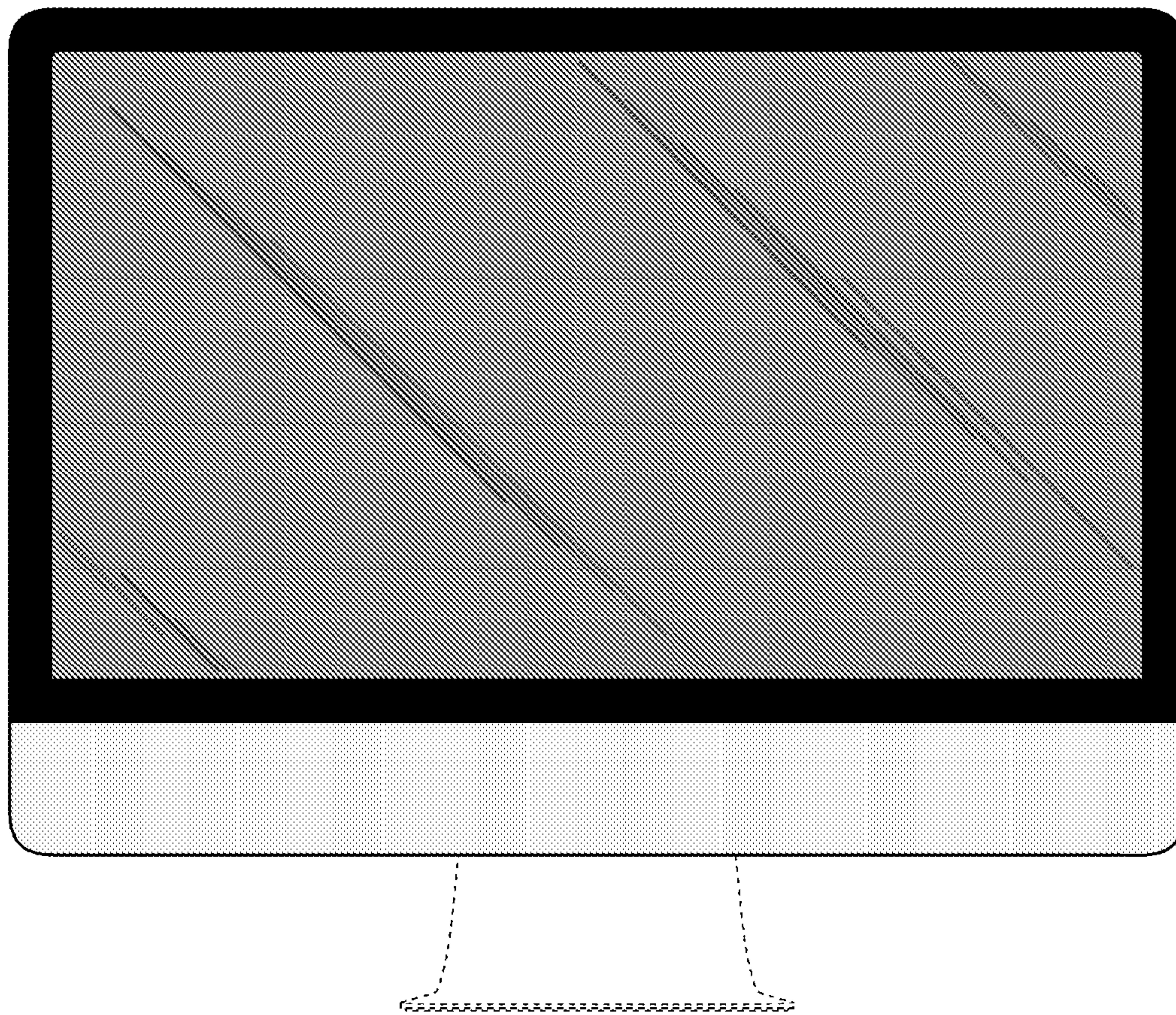


Fig. 10

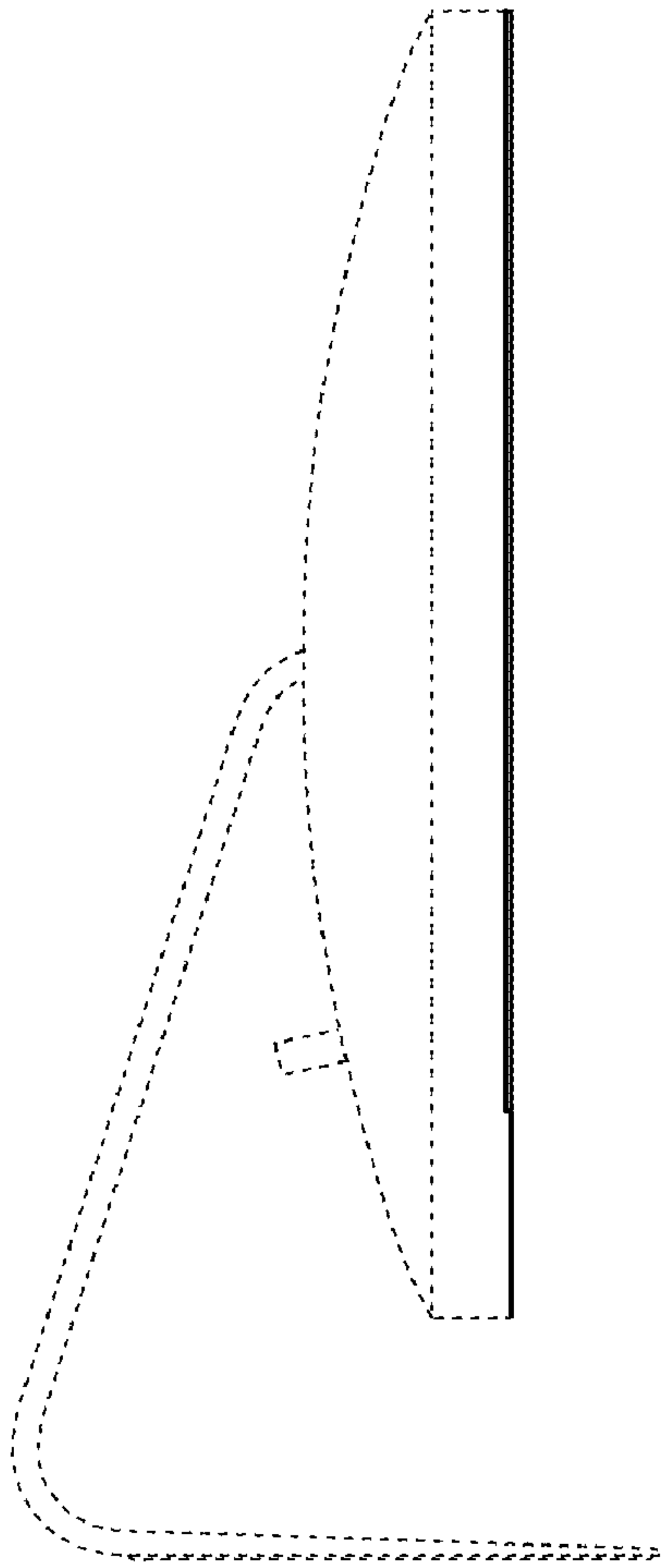


Fig. 11

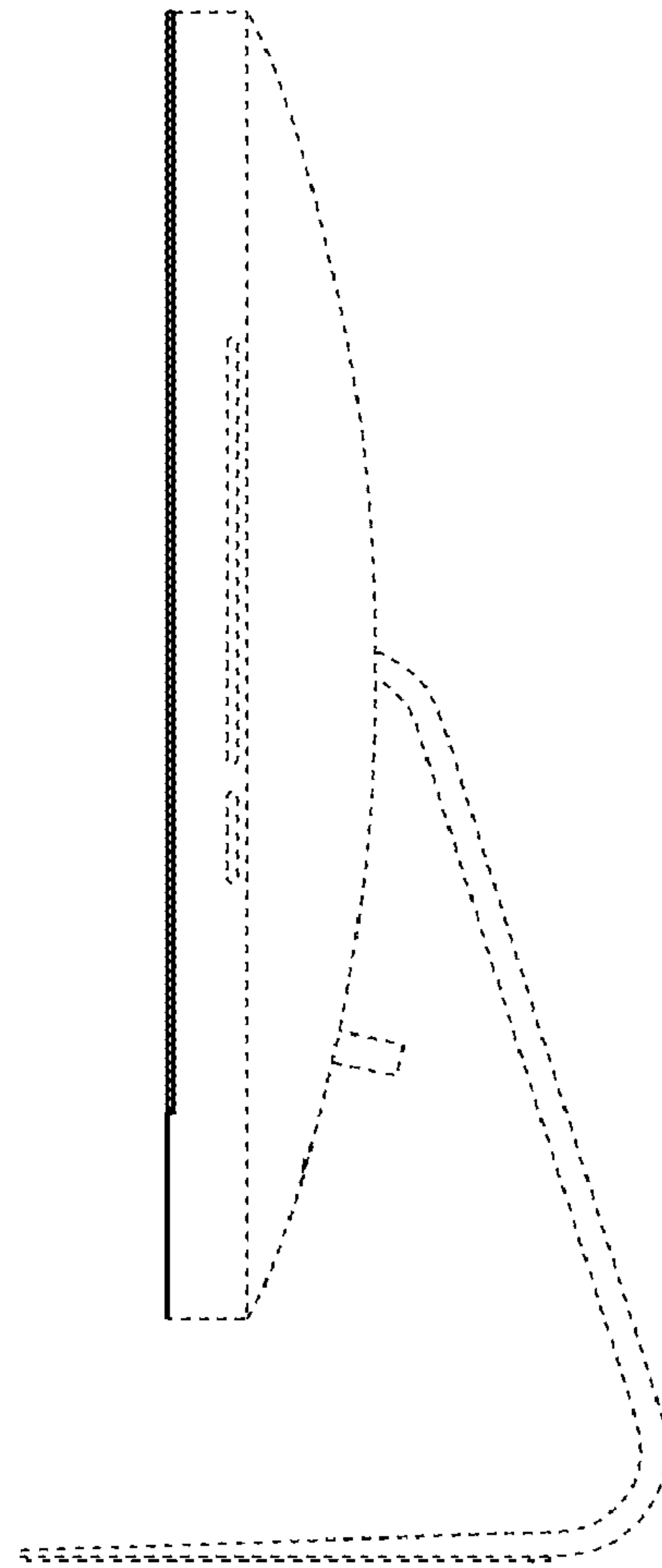


Fig. 12

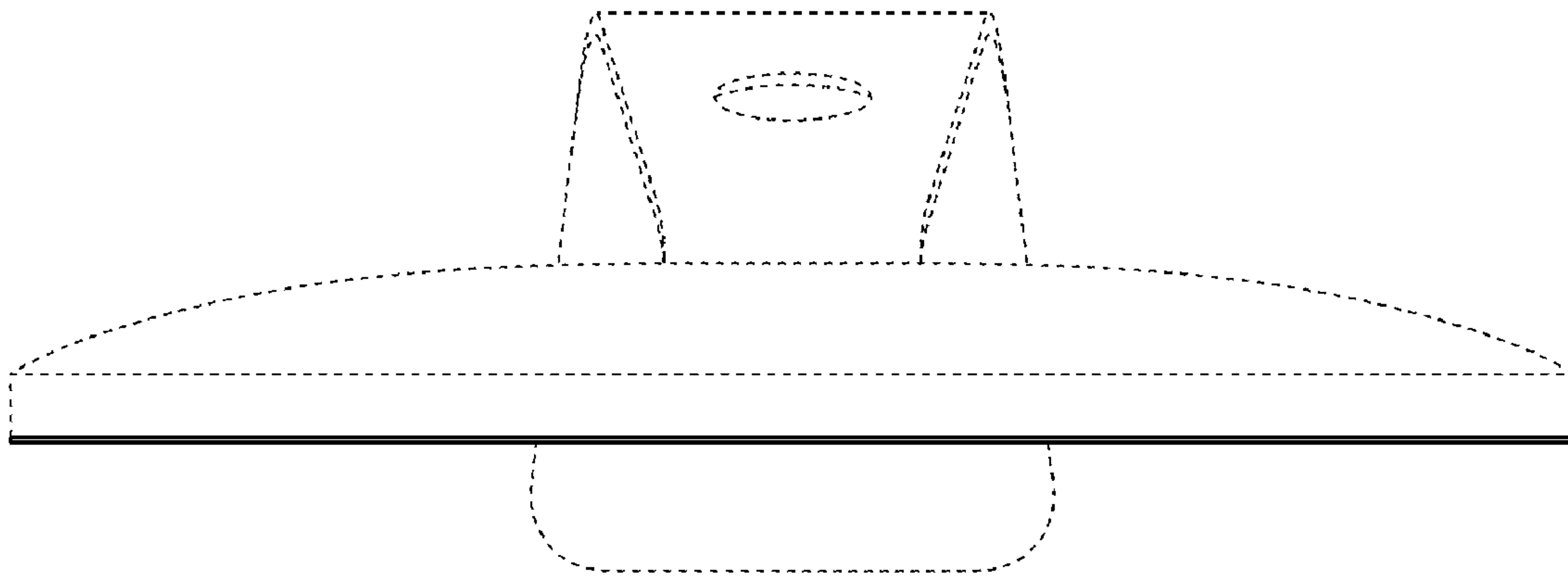


Fig. 13

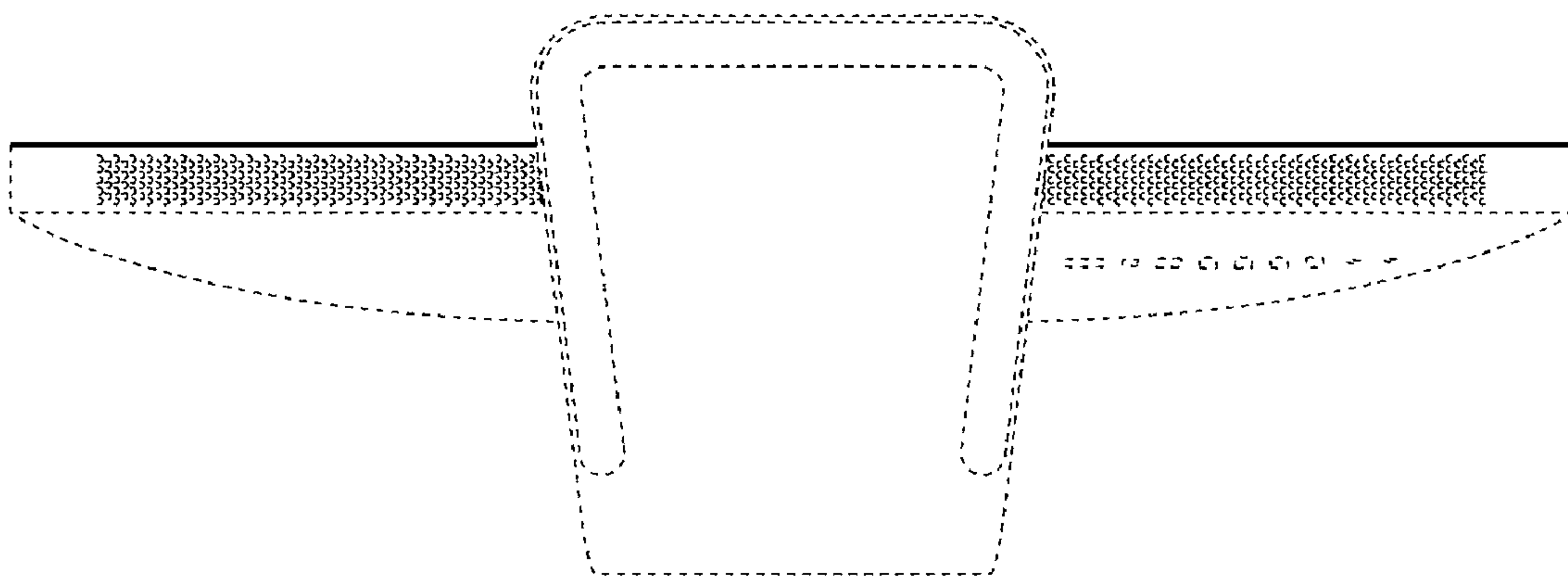


Fig. 14

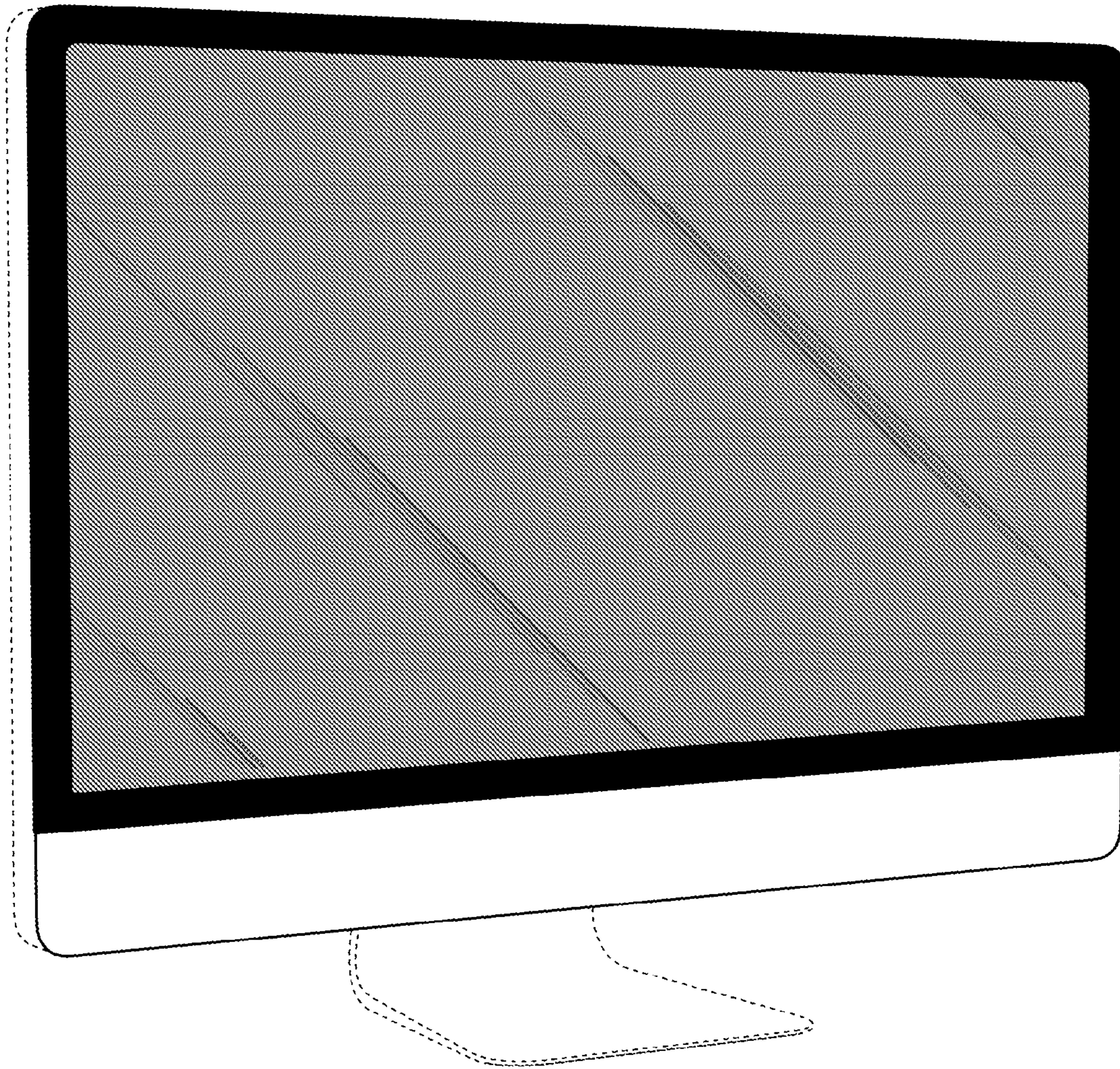


Fig. 15

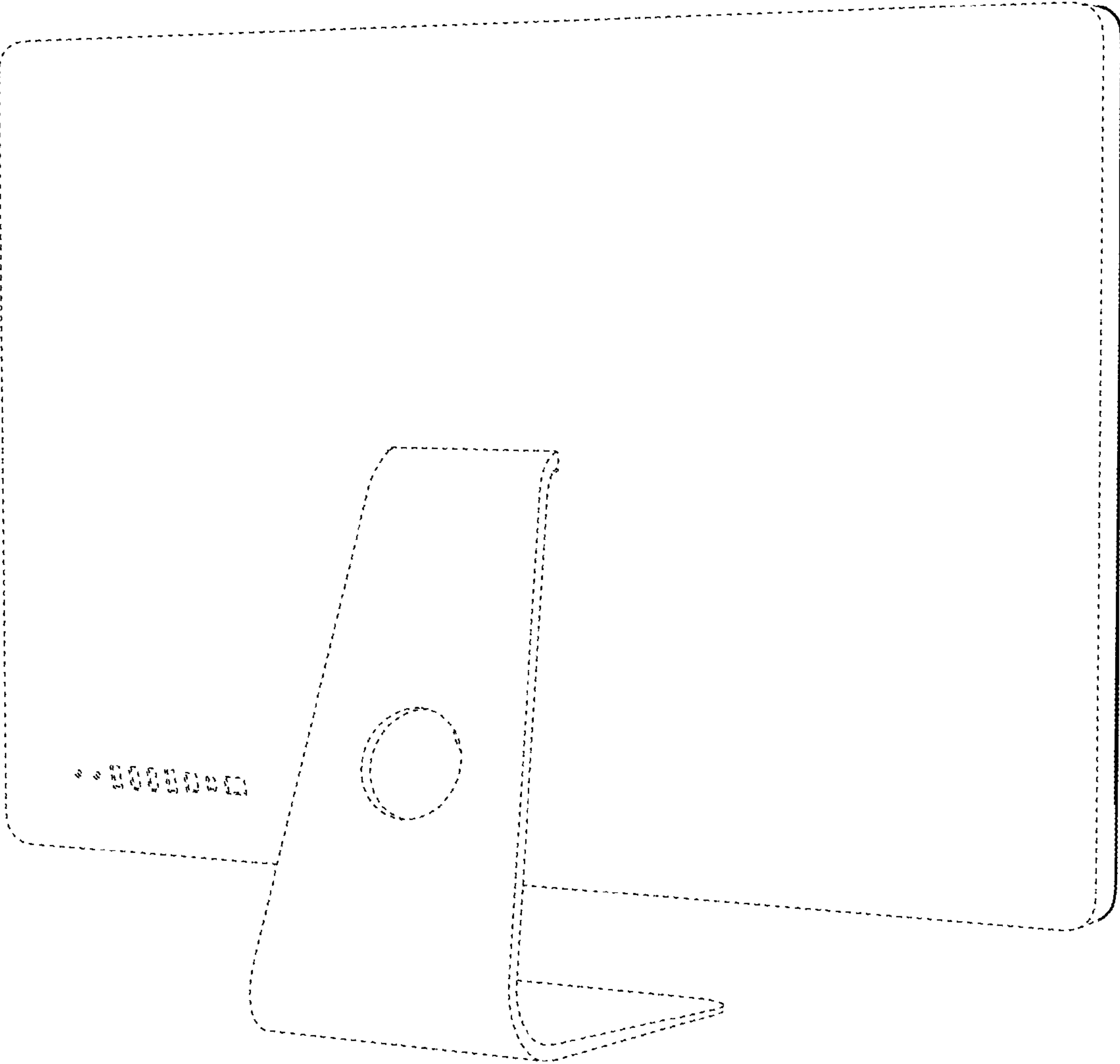


Fig. 16

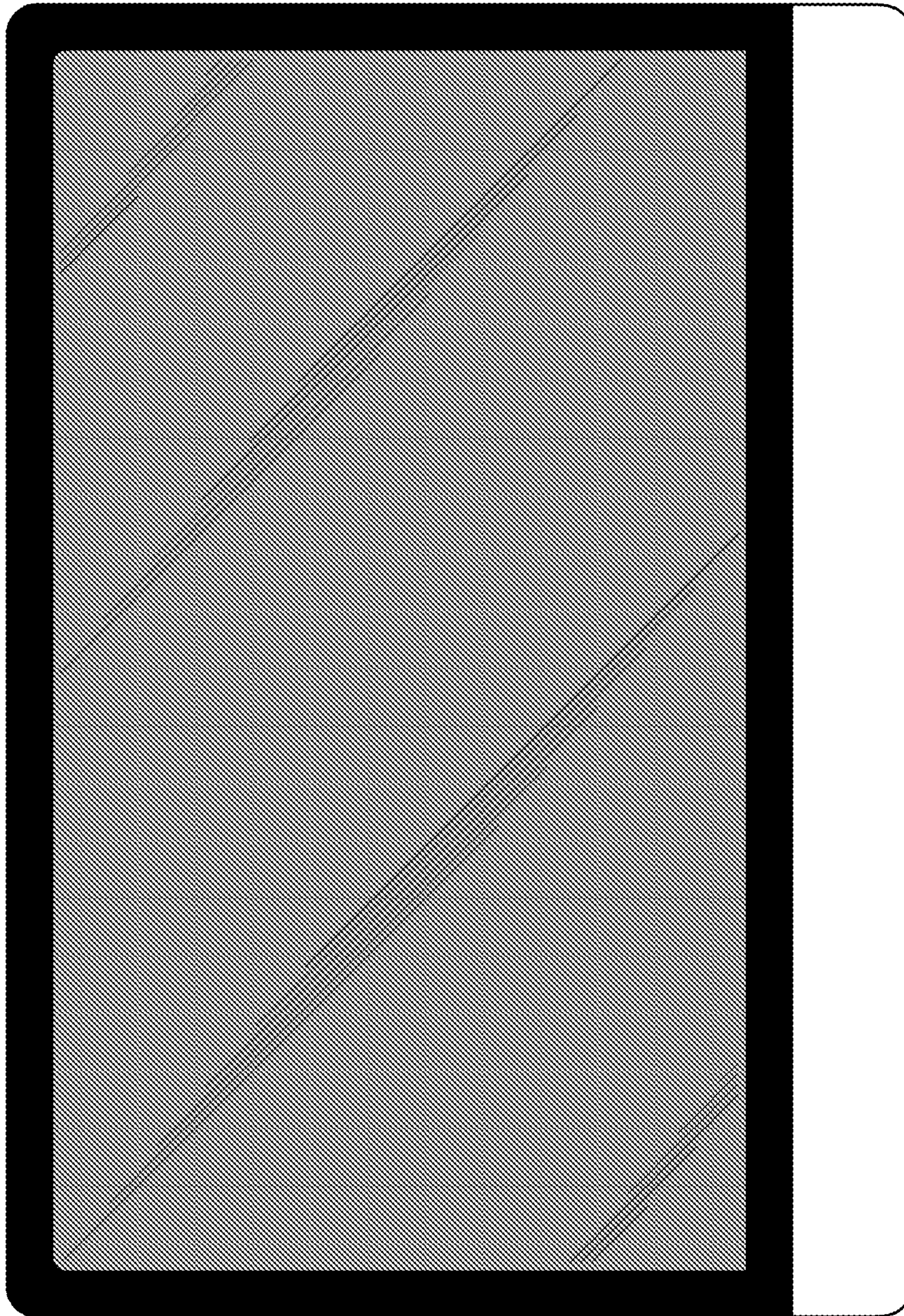


Fig. 17

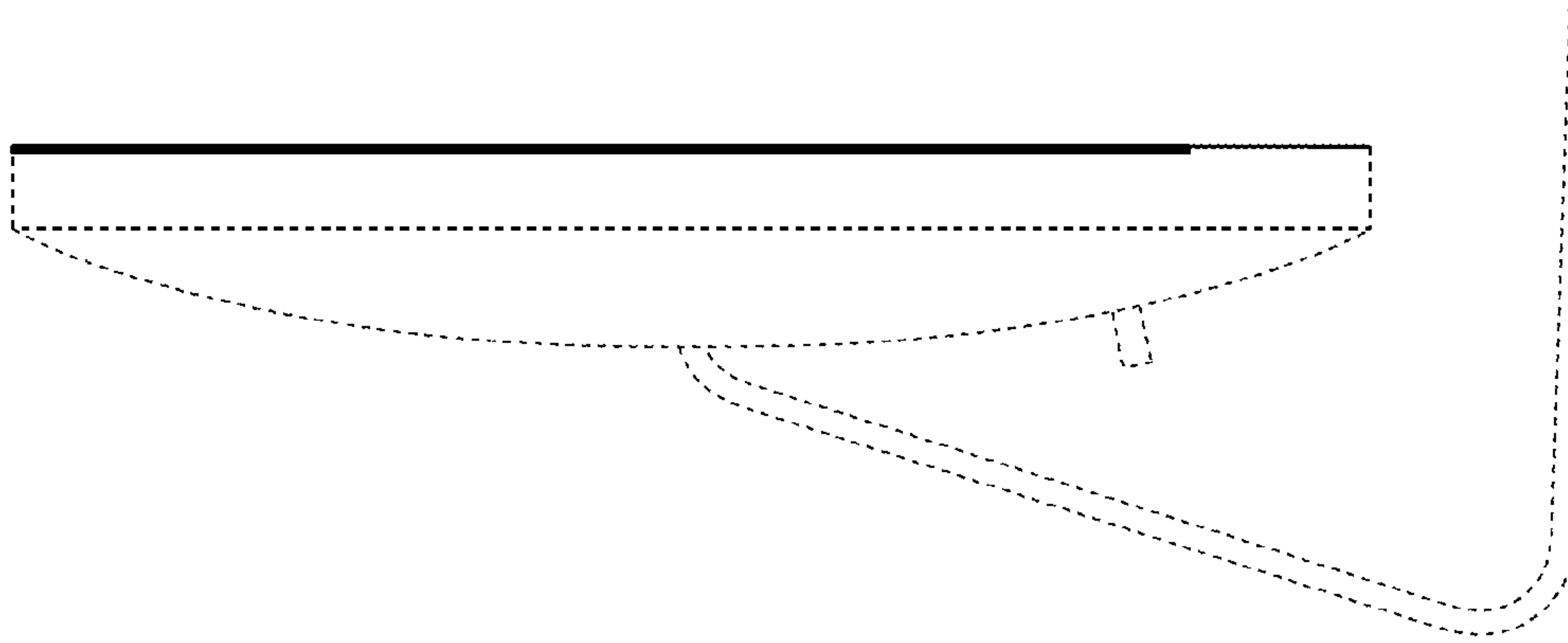


Fig. 19

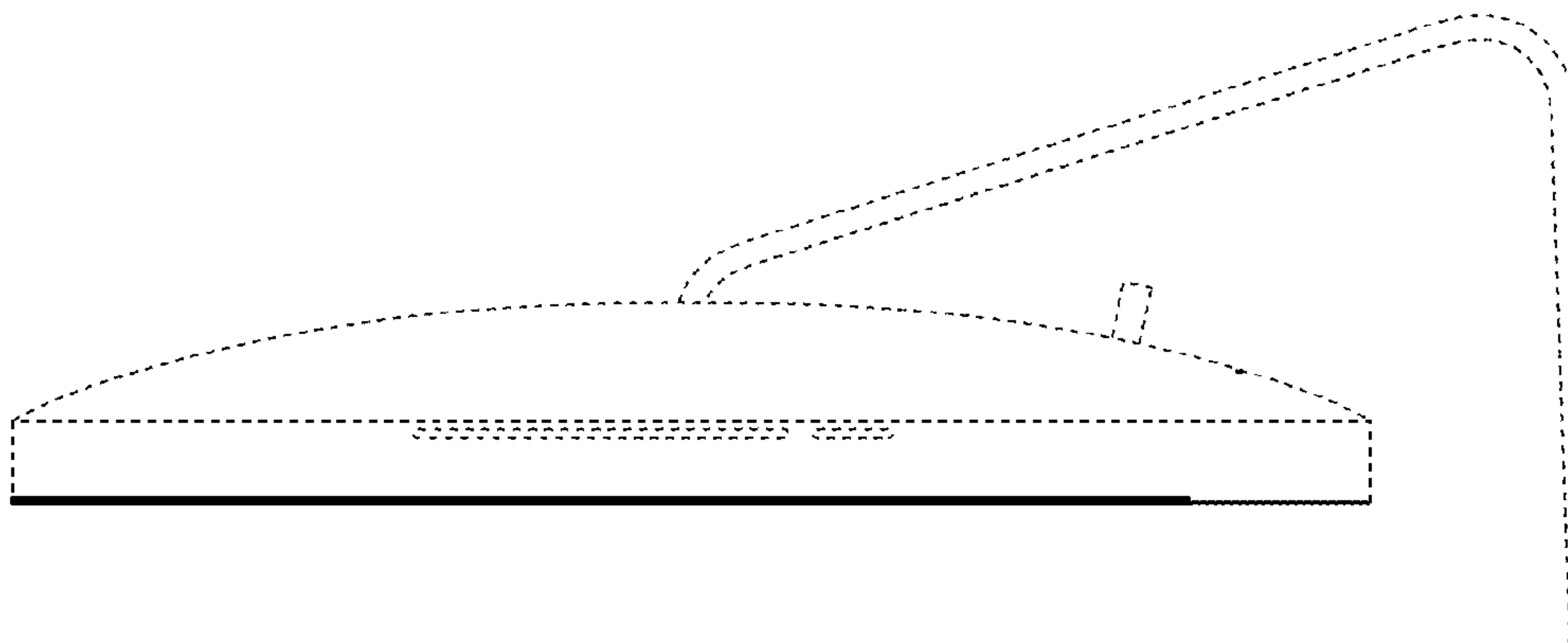


Fig. 18

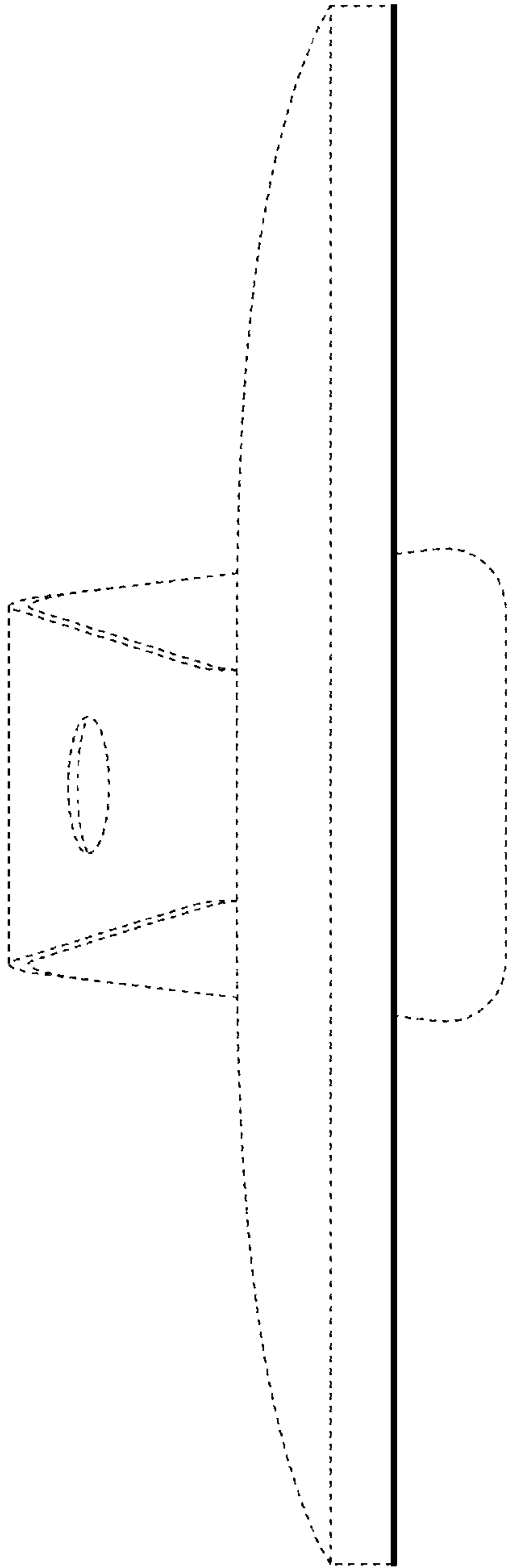


Fig. 20

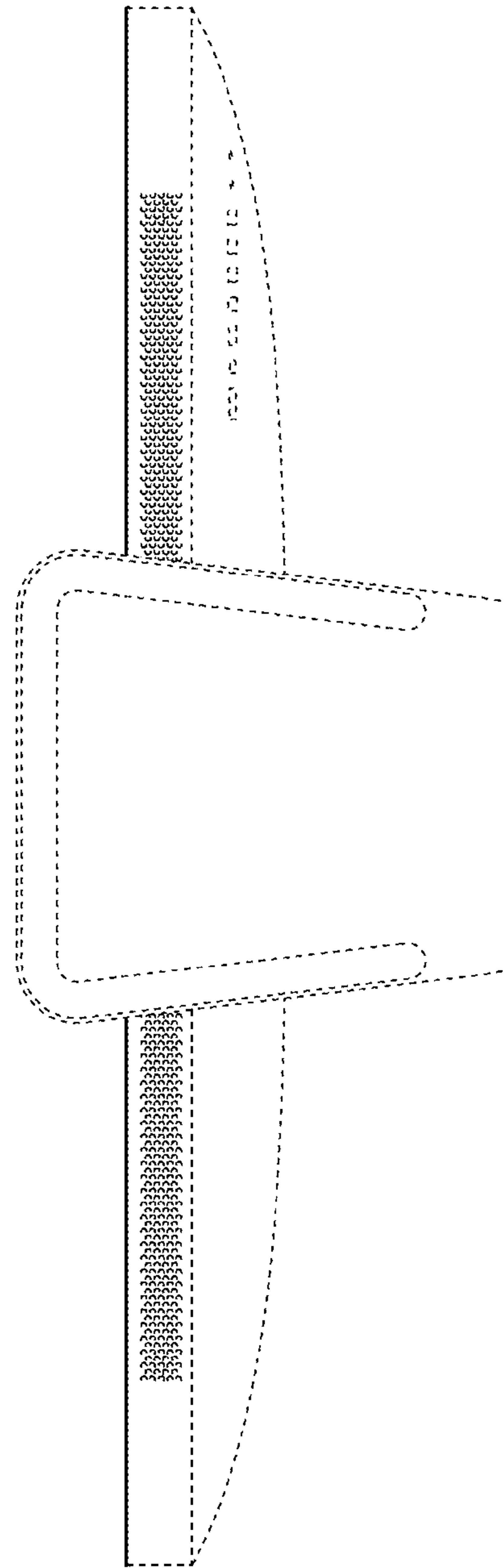


Fig. 21

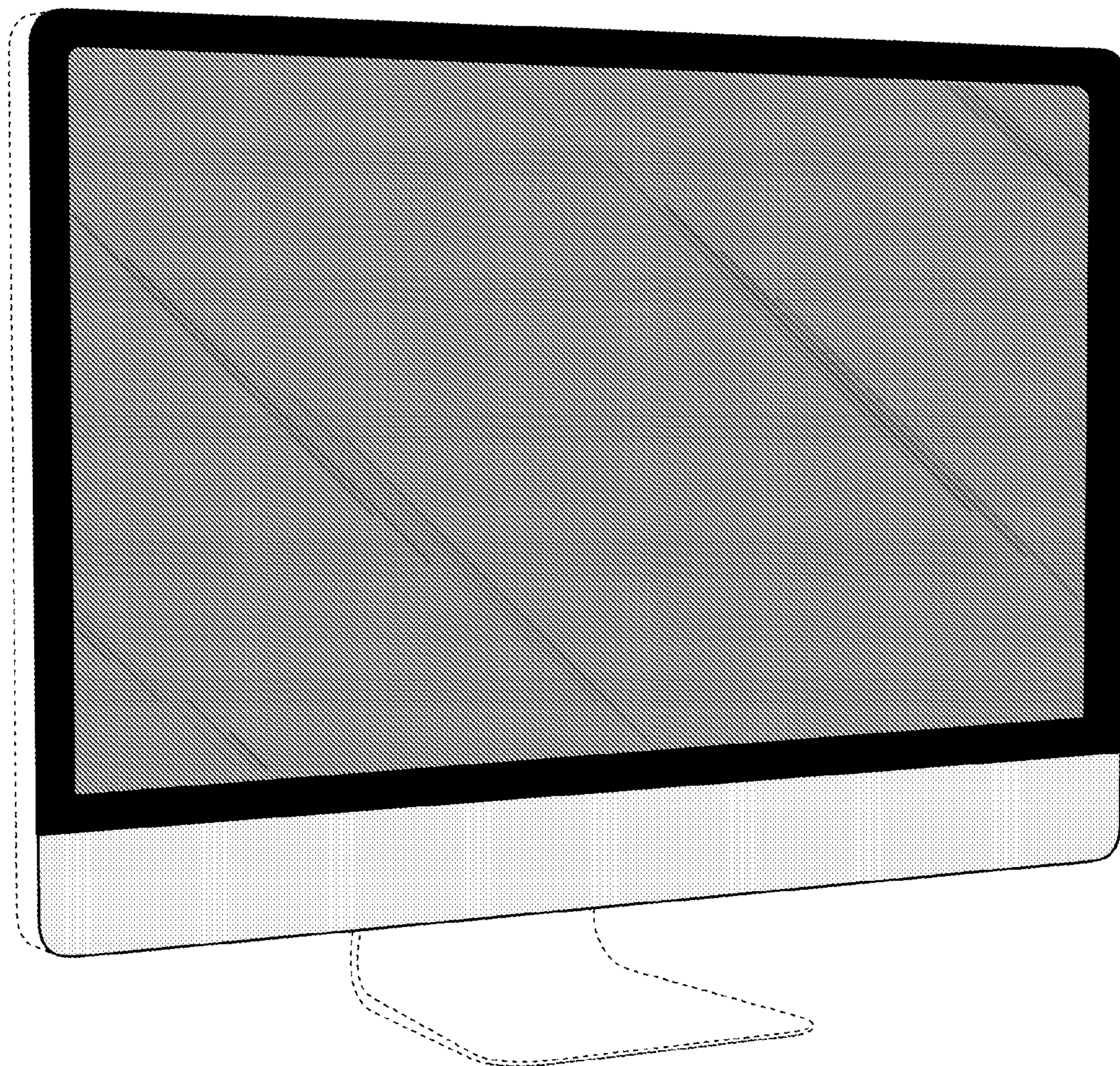


Fig. 22

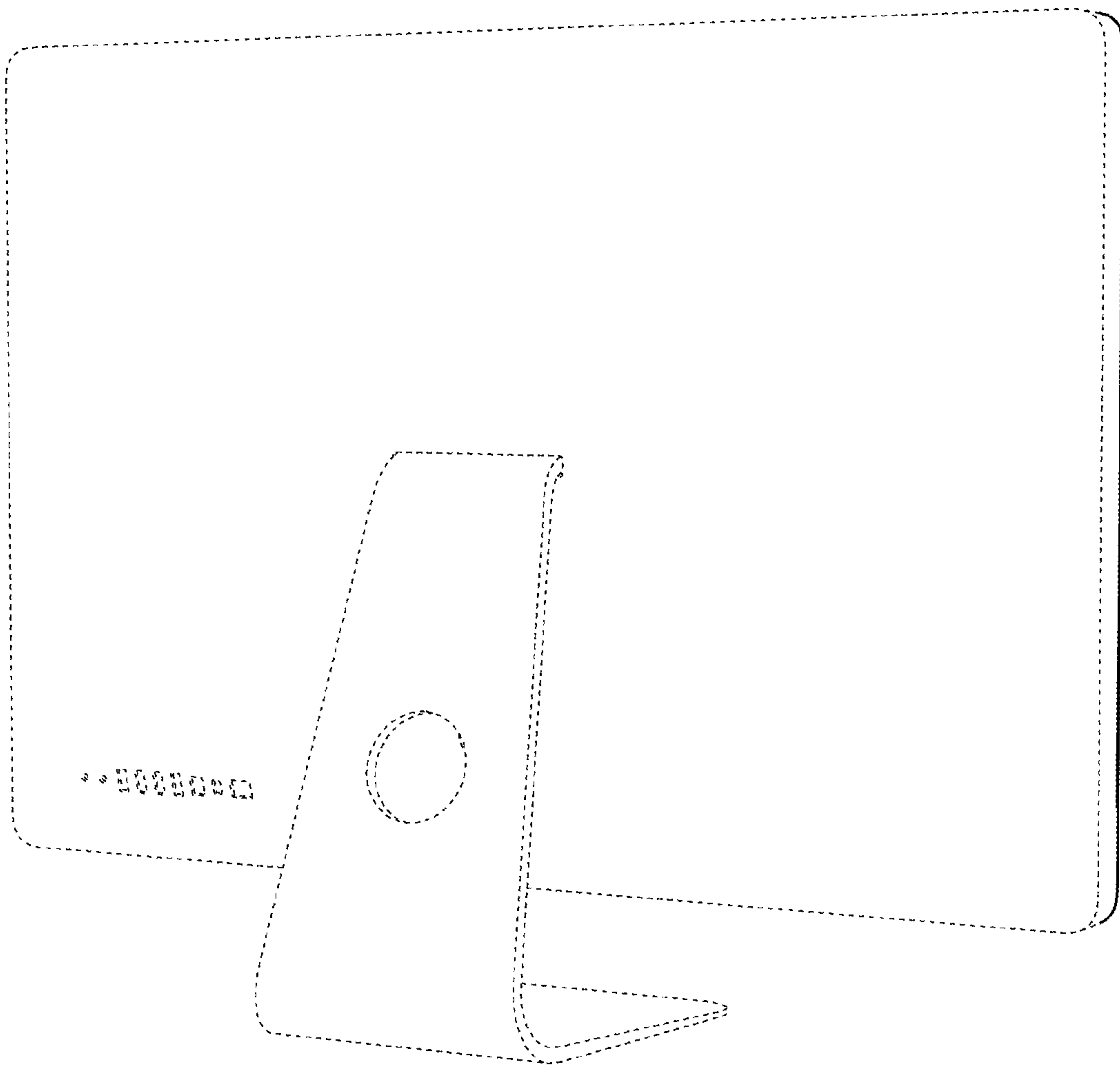


Fig. 23

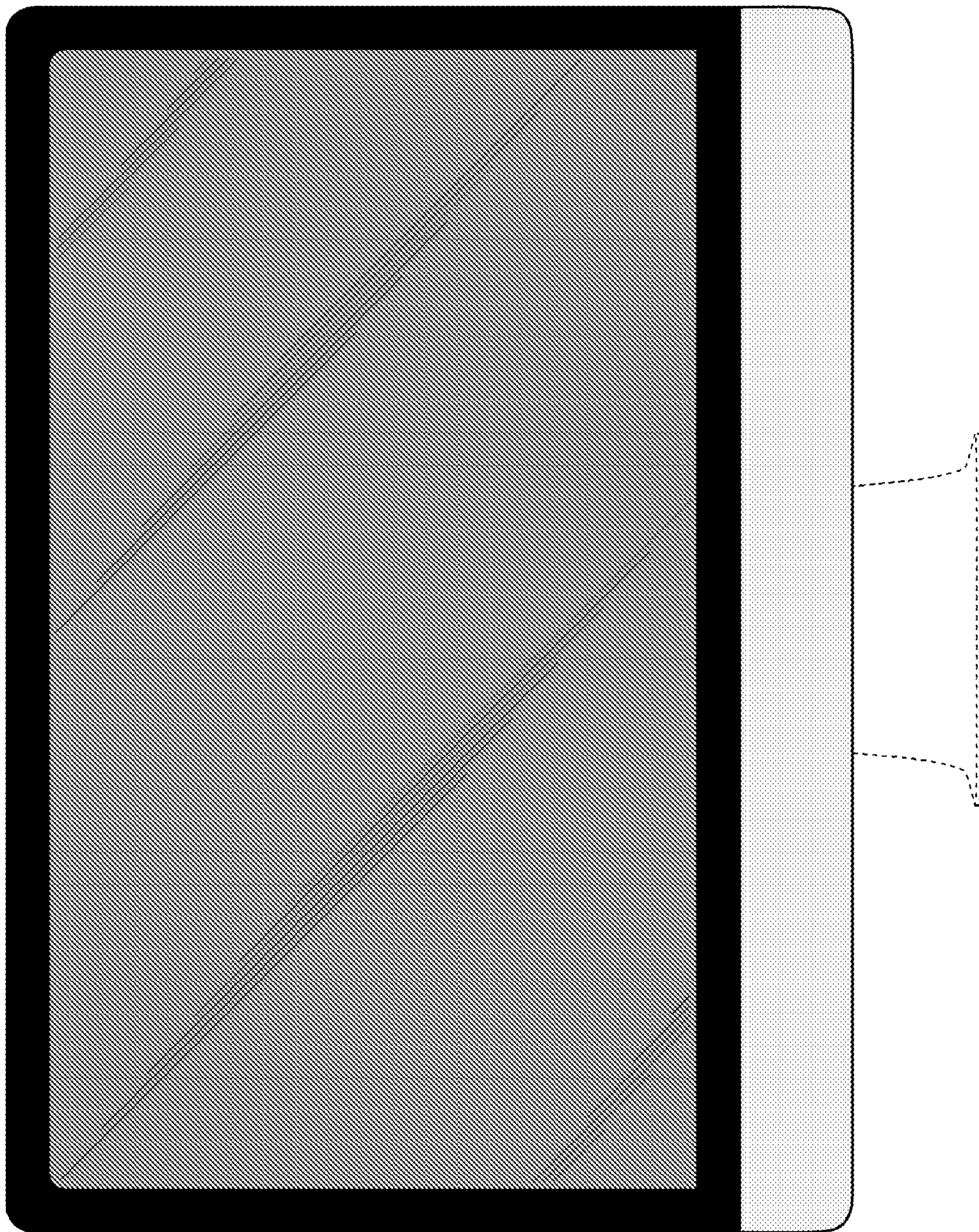


Fig. 24

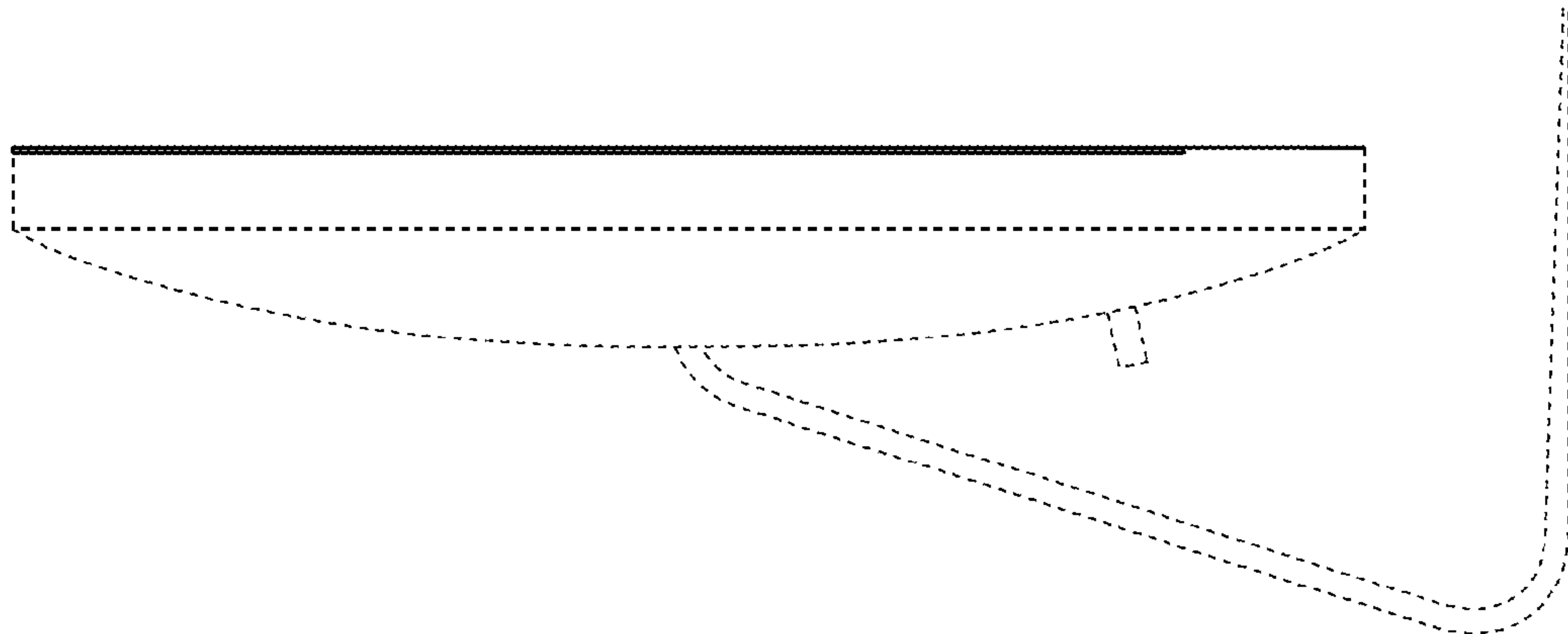


Fig. 26

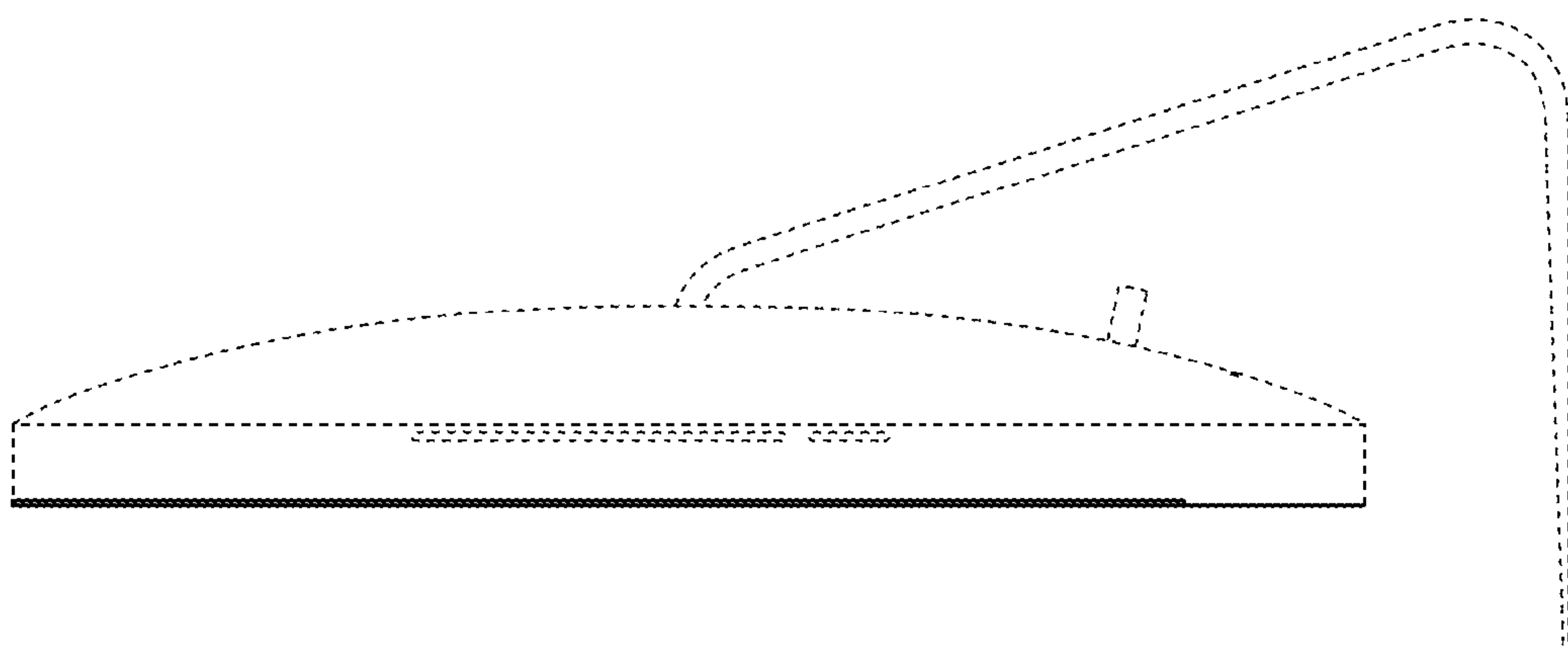


Fig. 25

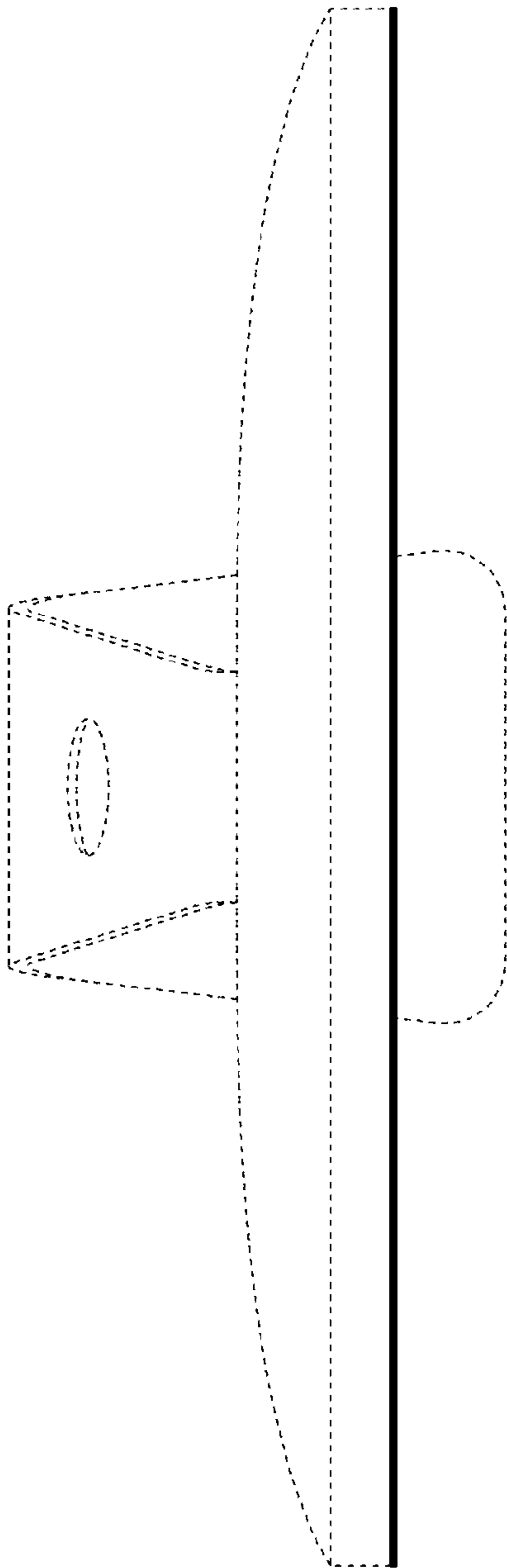


Fig. 27

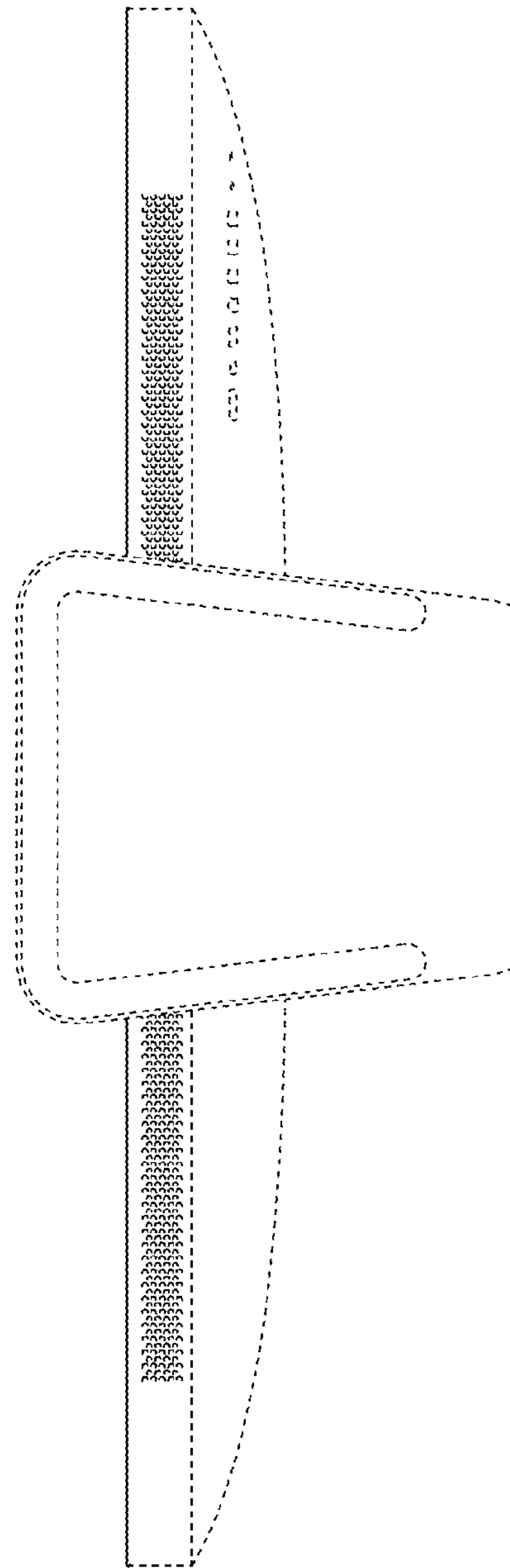


Fig. 28