



US00D661310S

(12) **United States Design Patent**
Belongia et al.

(10) **Patent No.:** **US D661,310 S**
(45) **Date of Patent:** **** Jun. 5, 2012**

(54) **LAPTOP STAND**

(76) Inventors: **Deborah Lynne Belongia**, Oconto, WI
(US); **Steven Lee Belongia**, Oconto, WI
(US)

(**) Term: **14 Years**

(21) Appl. No.: **29/405,031**

(22) Filed: **Oct. 27, 2011**

(51) **LOC (9) Cl.** **14-02**

(52) **U.S. Cl.** **D14/447**

(58) **Field of Classification Search** D14/447,
D14/432, 434, 433, 439, 440, 448, 451, 452,
D14/457, 400, 401, 239, 217, 238.1, 250,
D14/251, 252, 253; D21/333, 324, 325,
D21/328, 329, 330, 331, 332; D13/107,
D13/108; D6/310, 311, 312, 406.3, 406.4,
D6/406.5, 419, 566; D8/363, 373, 376, 380,
D8/381; 248/917-924, 441.1, 447, 451,
248/459, 460, 462, 463, 121, 139, 151, 434,
248/170, 176.1, 177.1, 281.11, 309.3, 346.5;
361/379.02, 679.05, 679.06, 679.07, 679.09,
361/679.1, 679.21, 679.22, 679.23, 679.25,
361/679.26, 679.27, 679.3, 679.55, 679.56,
361/679.29, 679.28; 379/455, 454; 312/223.3
See application file for complete search history.

(56) **References Cited**

U.S. PATENT DOCUMENTS

D322,211 S * 12/1991 Gary D8/373
D323,435 S * 1/1992 Palacios D6/406.3

6,234,085 B1 * 5/2001 Ramundo 108/43
D499,574 S * 12/2004 Spicer D6/406.3
D558,774 S * 1/2008 Najima D14/447
D575,546 S * 8/2008 Tsay et al. D6/406.3
D588,145 S * 3/2009 Benden et al. D14/457
7,778,026 B2 * 8/2010 Mitchell 361/679.55
7,828,260 B2 * 11/2010 Hauser et al. 248/456
D631,735 S * 2/2011 Johnson D8/380
D648,728 S * 11/2011 Atkins et al. D14/447
D651,213 S * 12/2011 Magness et al. D14/447
2011/0128701 A1 * 6/2011 Fan 361/679.55

* cited by examiner

Primary Examiner — Angela J Lee

(74) *Attorney, Agent, or Firm* — Steven H. Greenfield;
Greenfield Invention and Patent Consulting, Inc.

(57) **CLAIM**

The ornamental design for a laptop stand, as shown and described.

DESCRIPTION

FIG. 1 is a top, side and front perspective view of a laptop stand showing my new design;
FIG. 2 is a first side elevation view thereof;
FIG. 3 is a top, rear and side perspective view thereof;
FIG. 4 is a top plan view thereof;
FIG. 5 is a second side elevation view thereof;
FIG. 6 is a bottom plan view thereof;
FIG. 7 is a top and front view thereof;
FIG. 8 is another top, side and front perspective view thereof;
and,
FIG. 9 is another top, rear and side perspective view thereof.

1 Claim, 9 Drawing Sheets

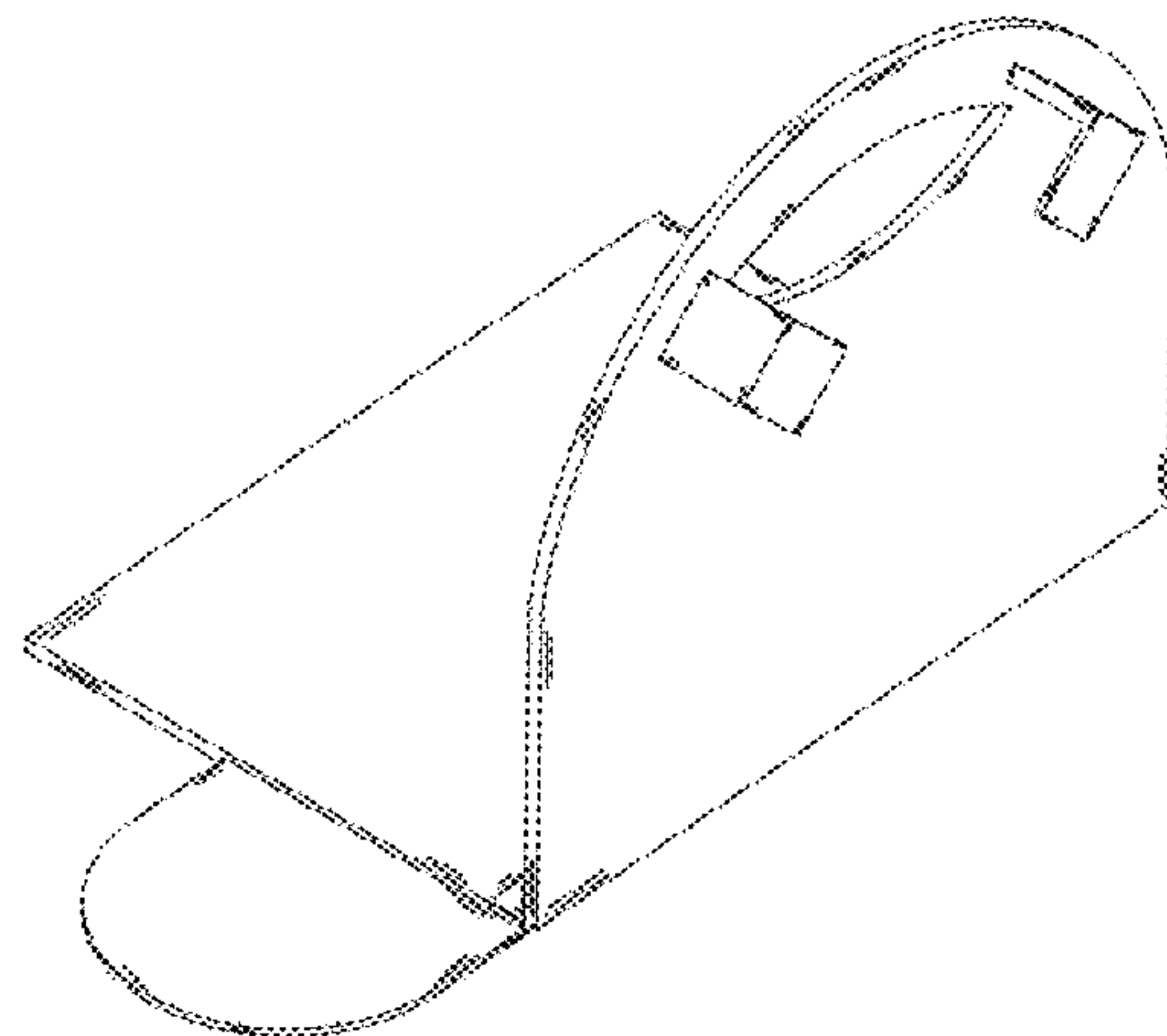
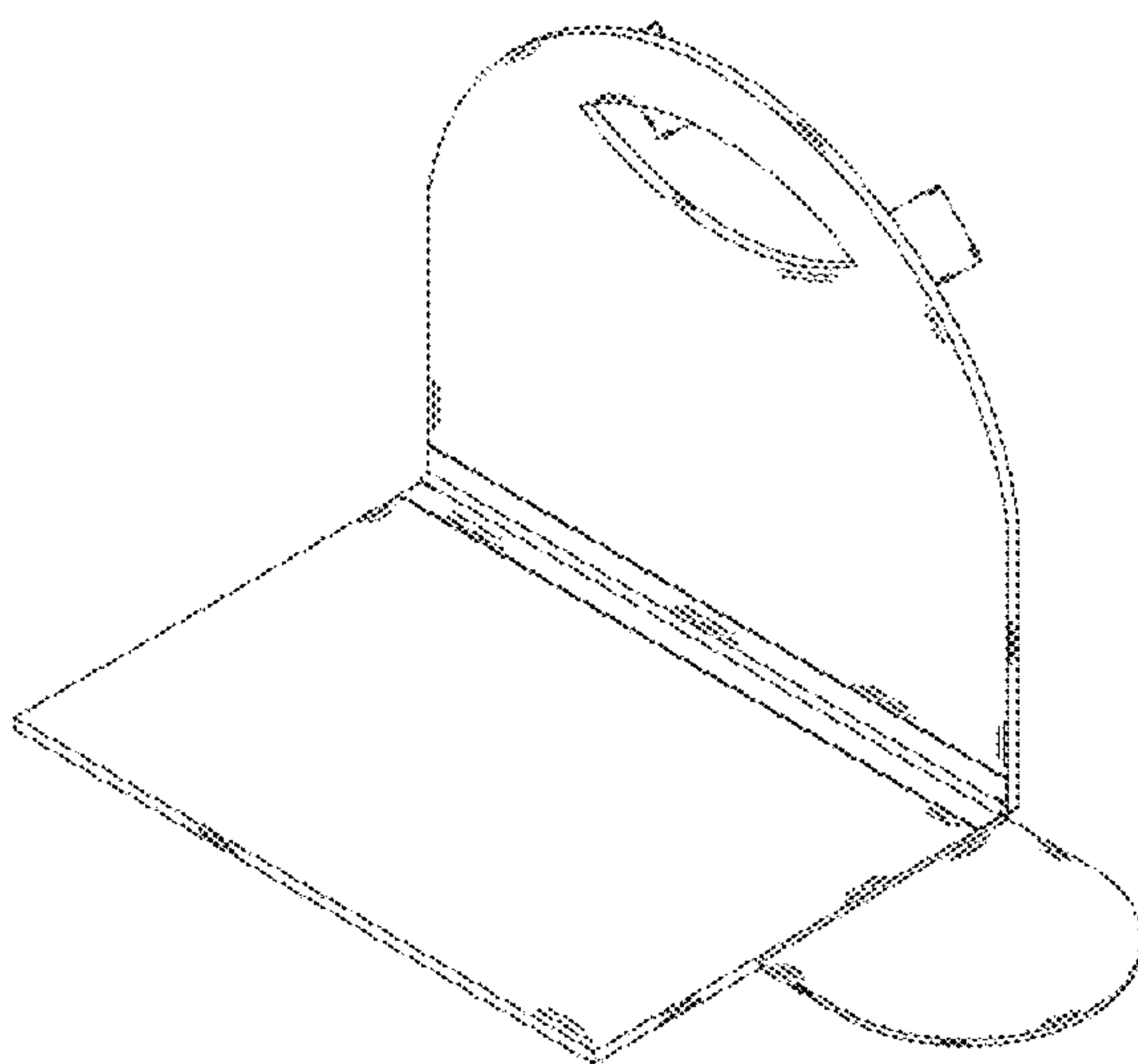


FIG. 1

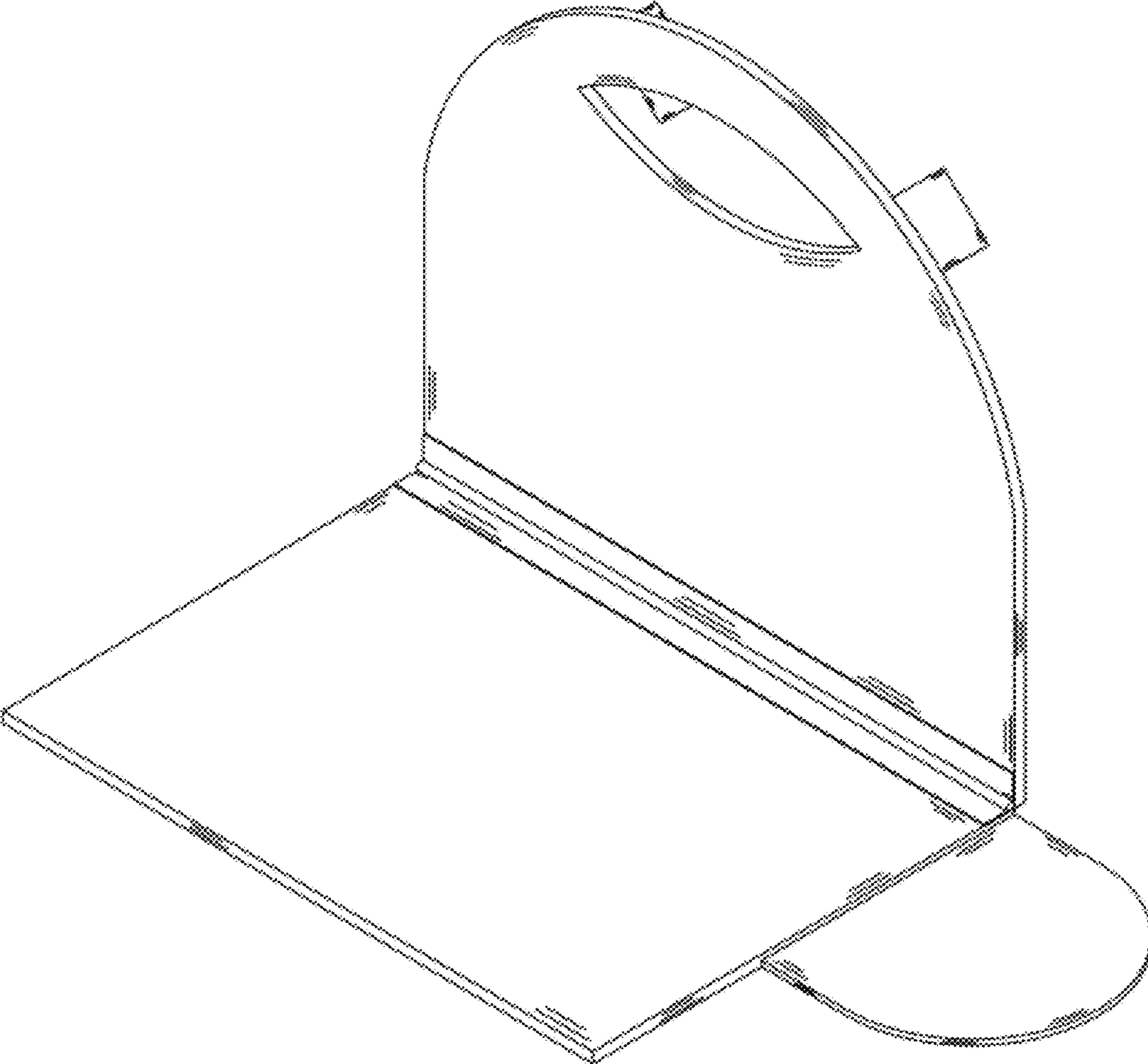


FIG. 2

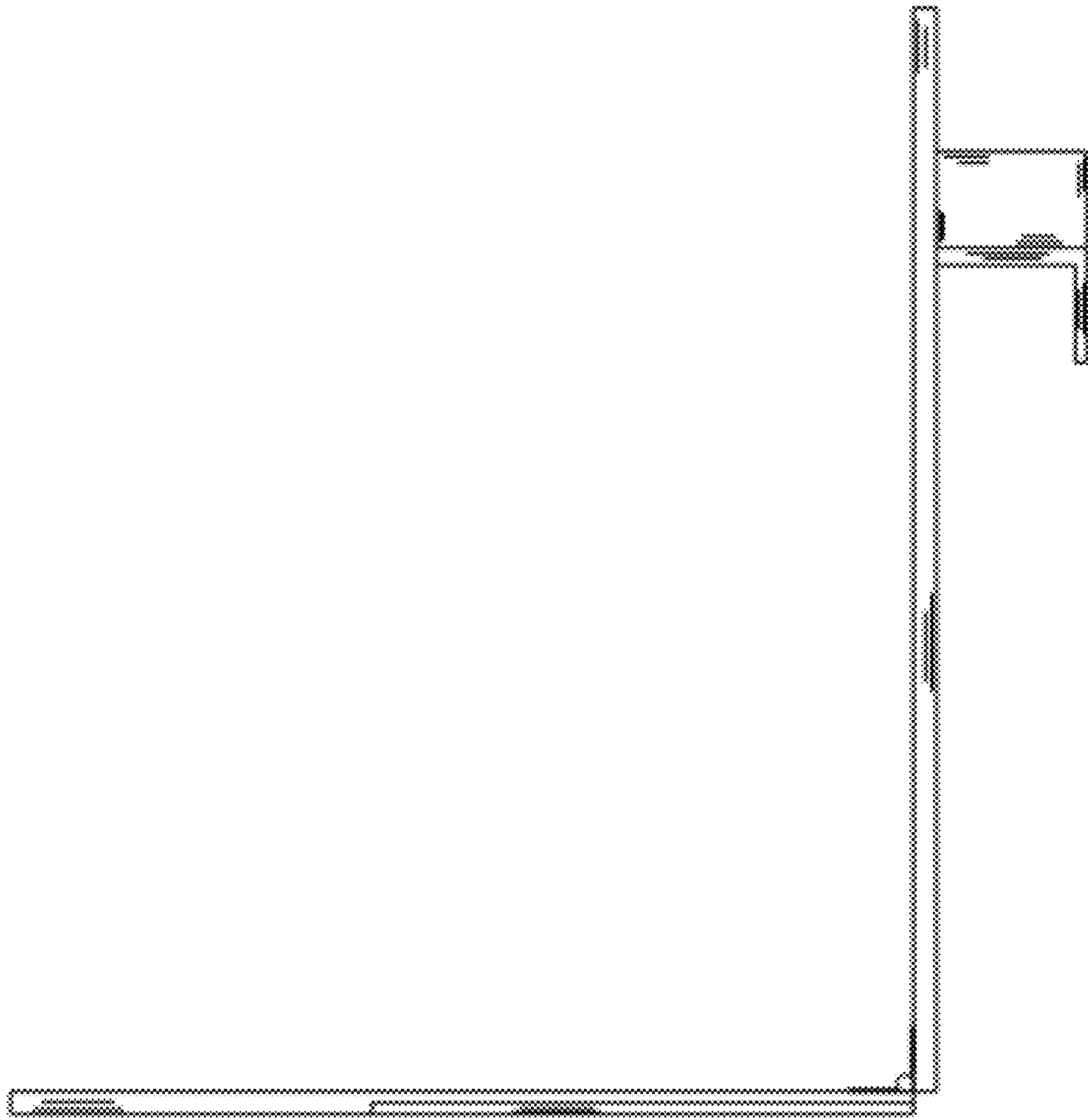


FIG. 3

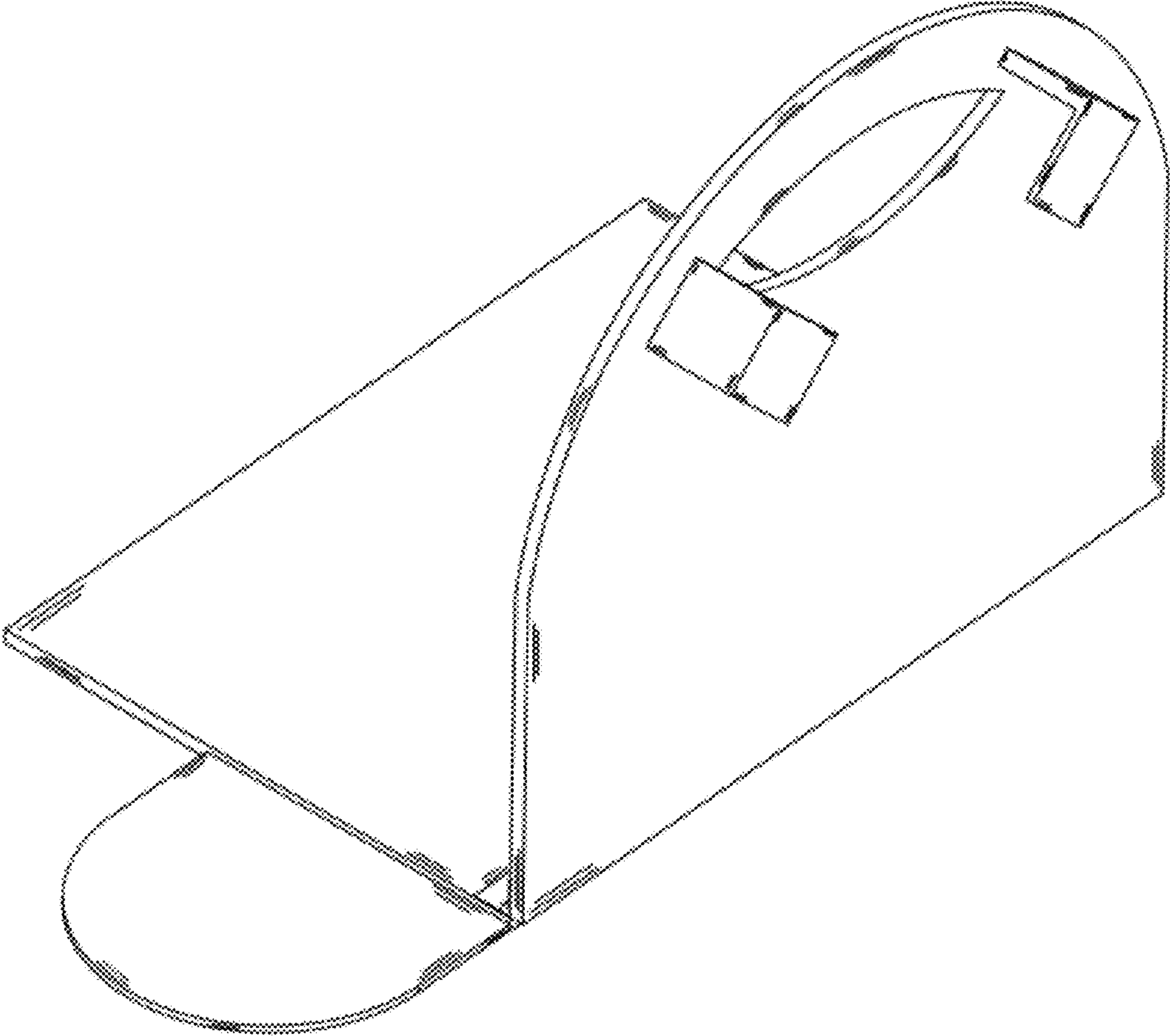


FIG. 4

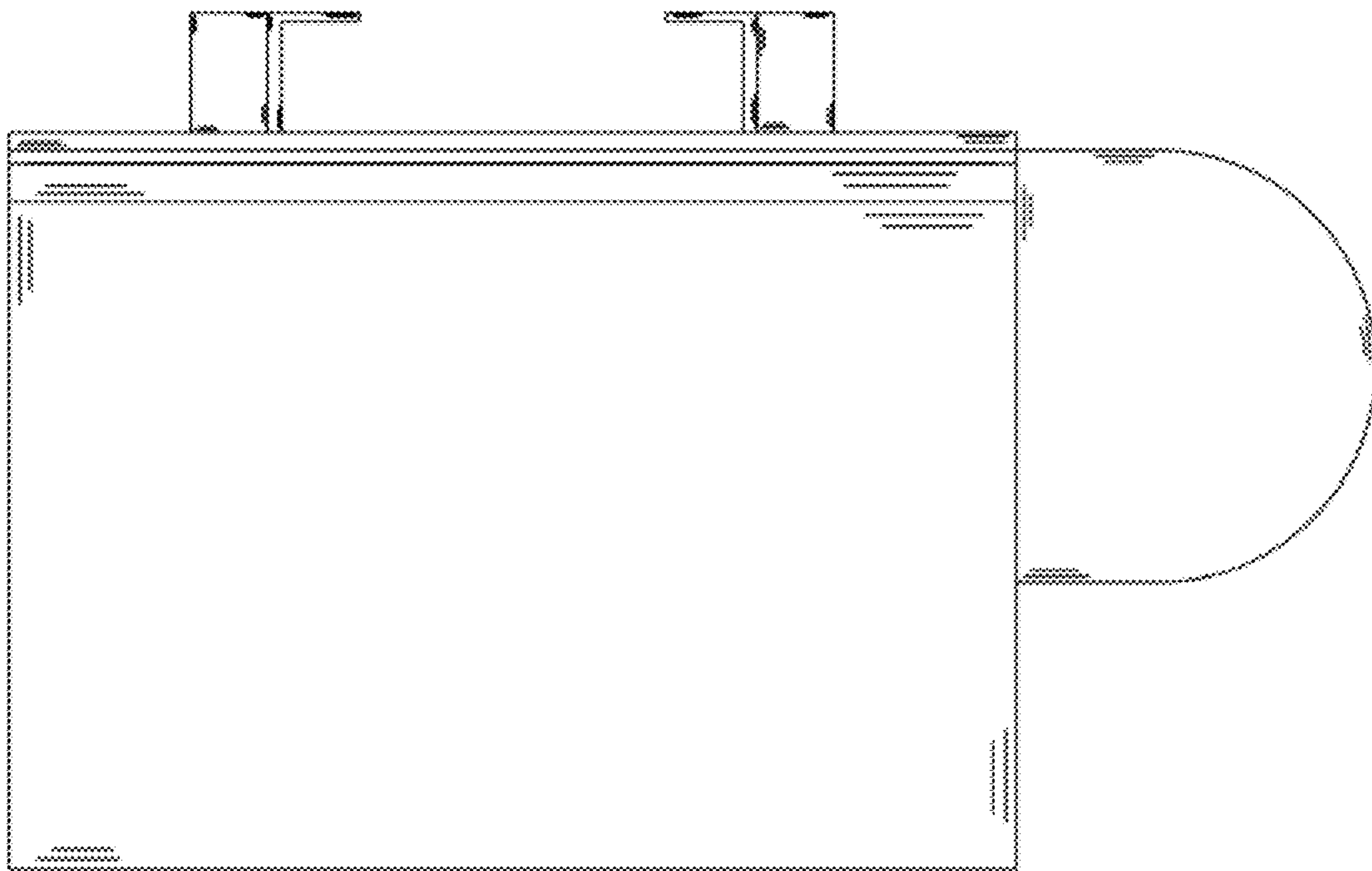


FIG. 5

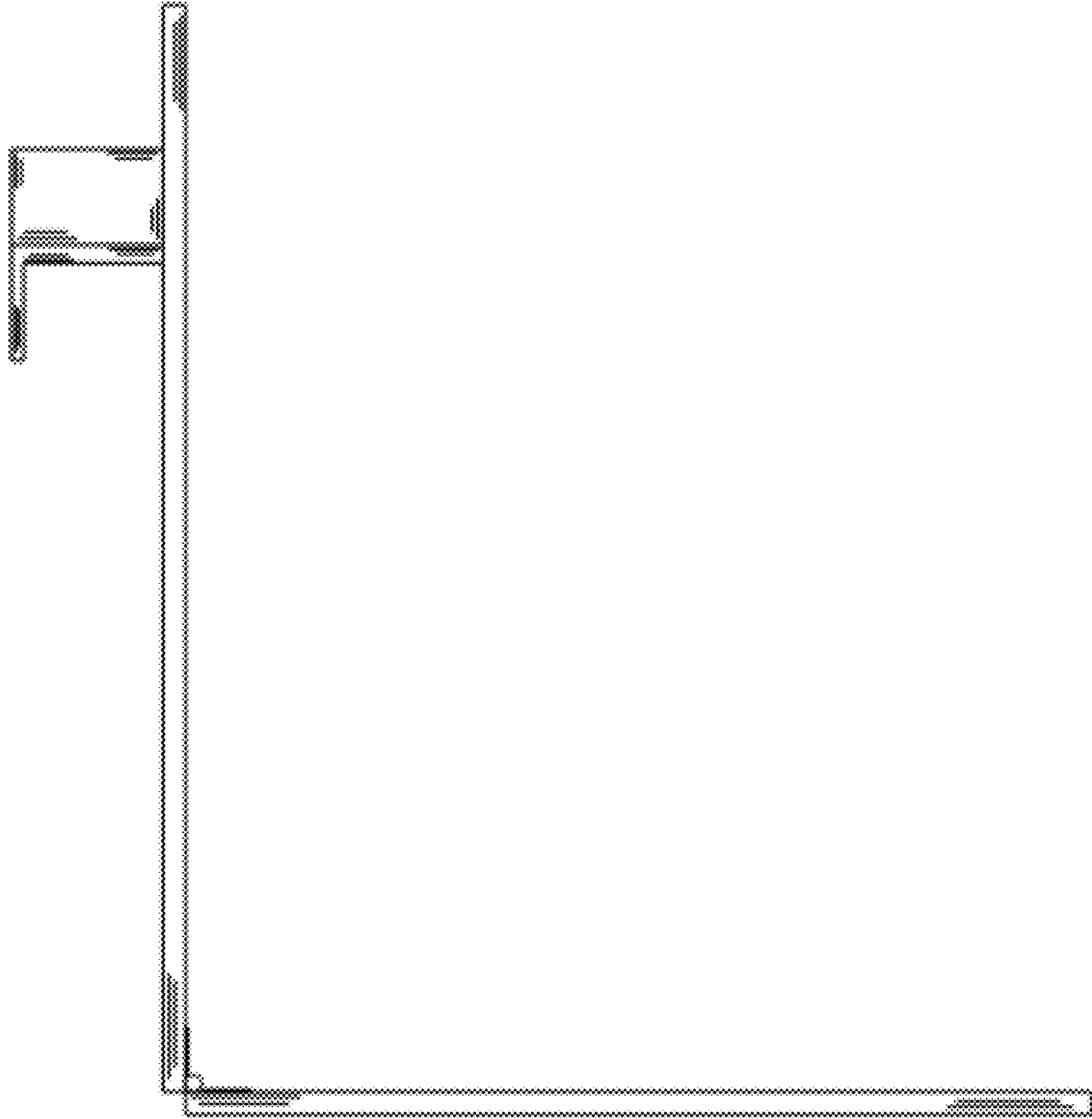


FIG. 6

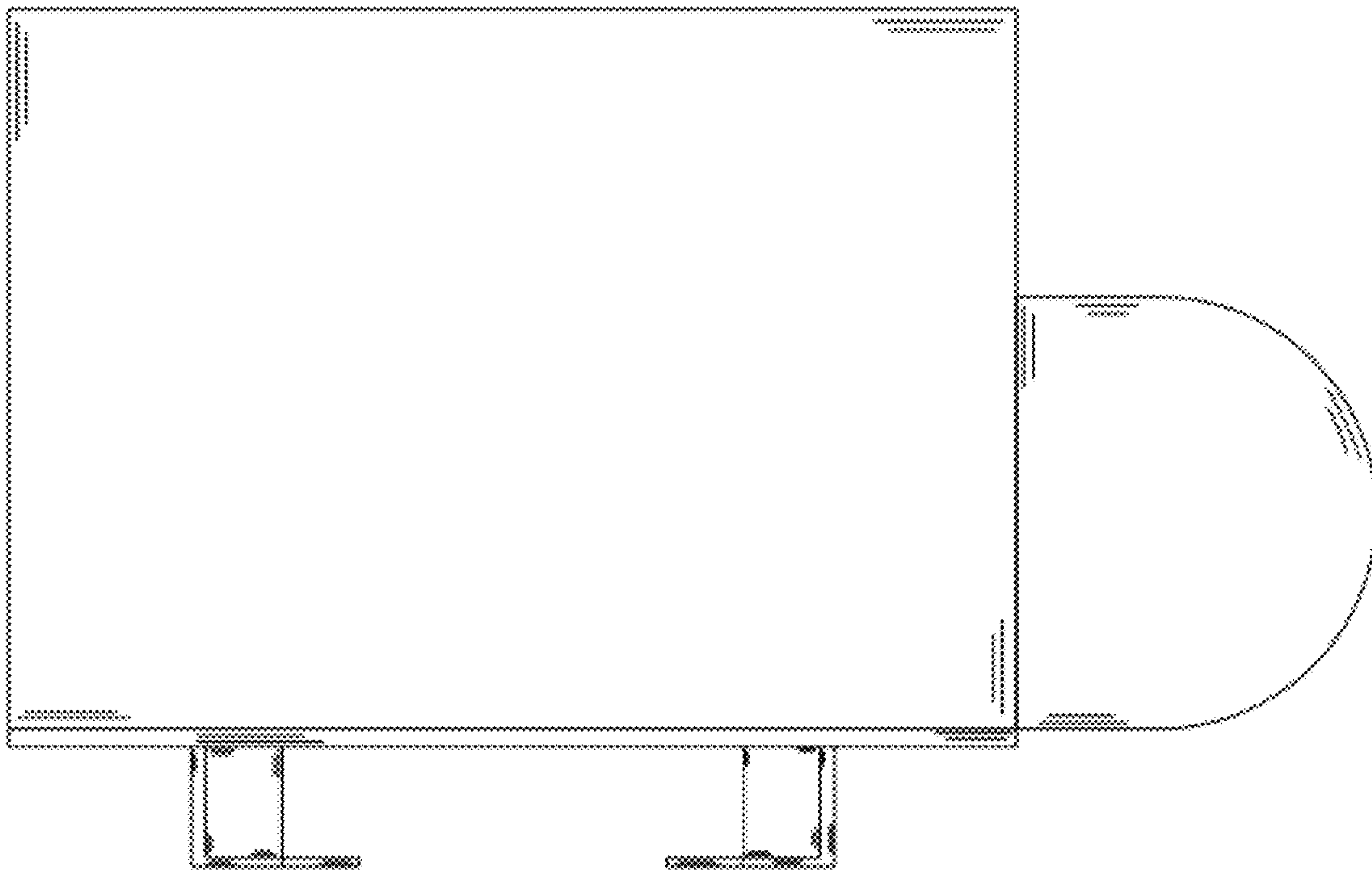


FIG. 7

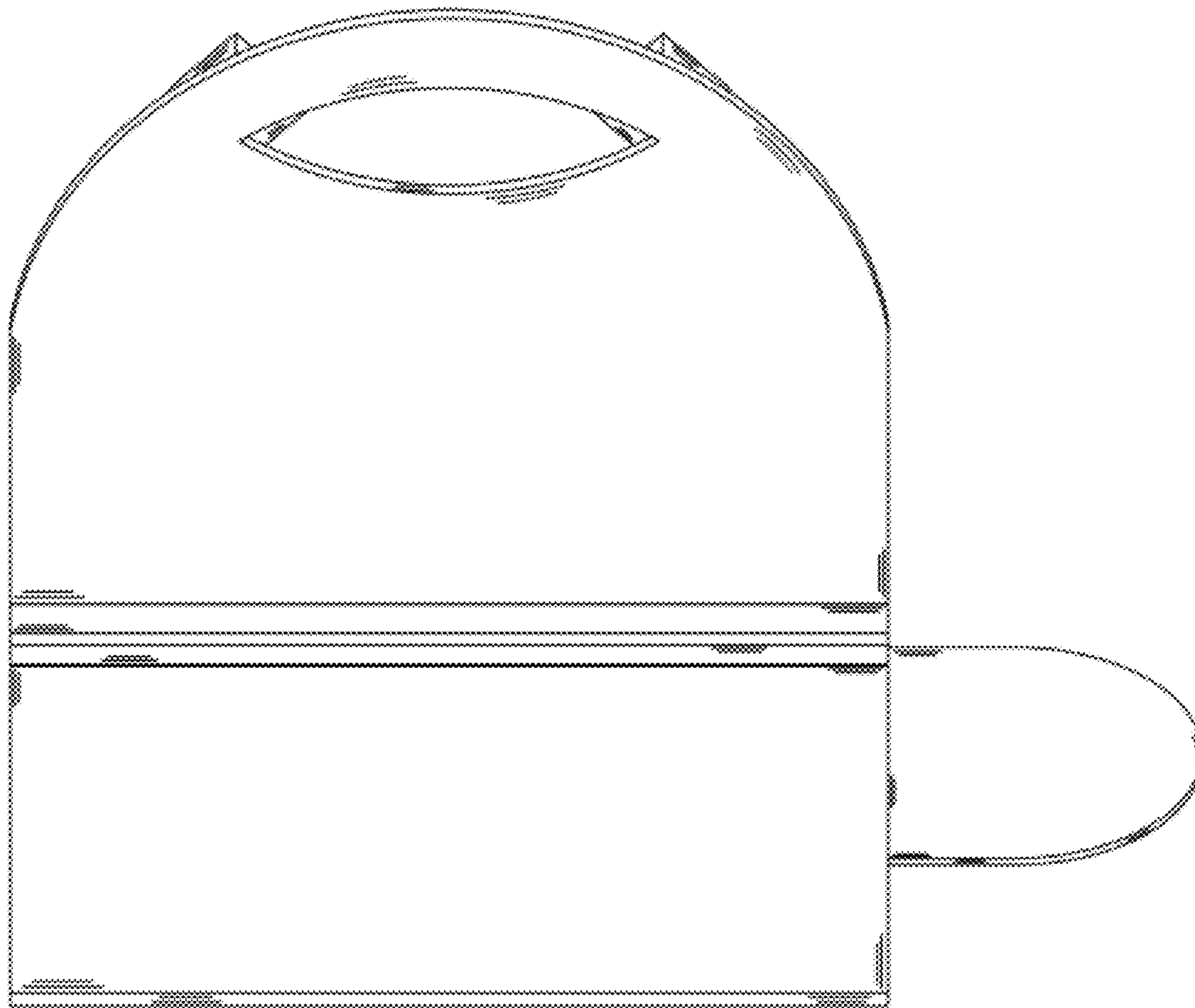


FIG. 8

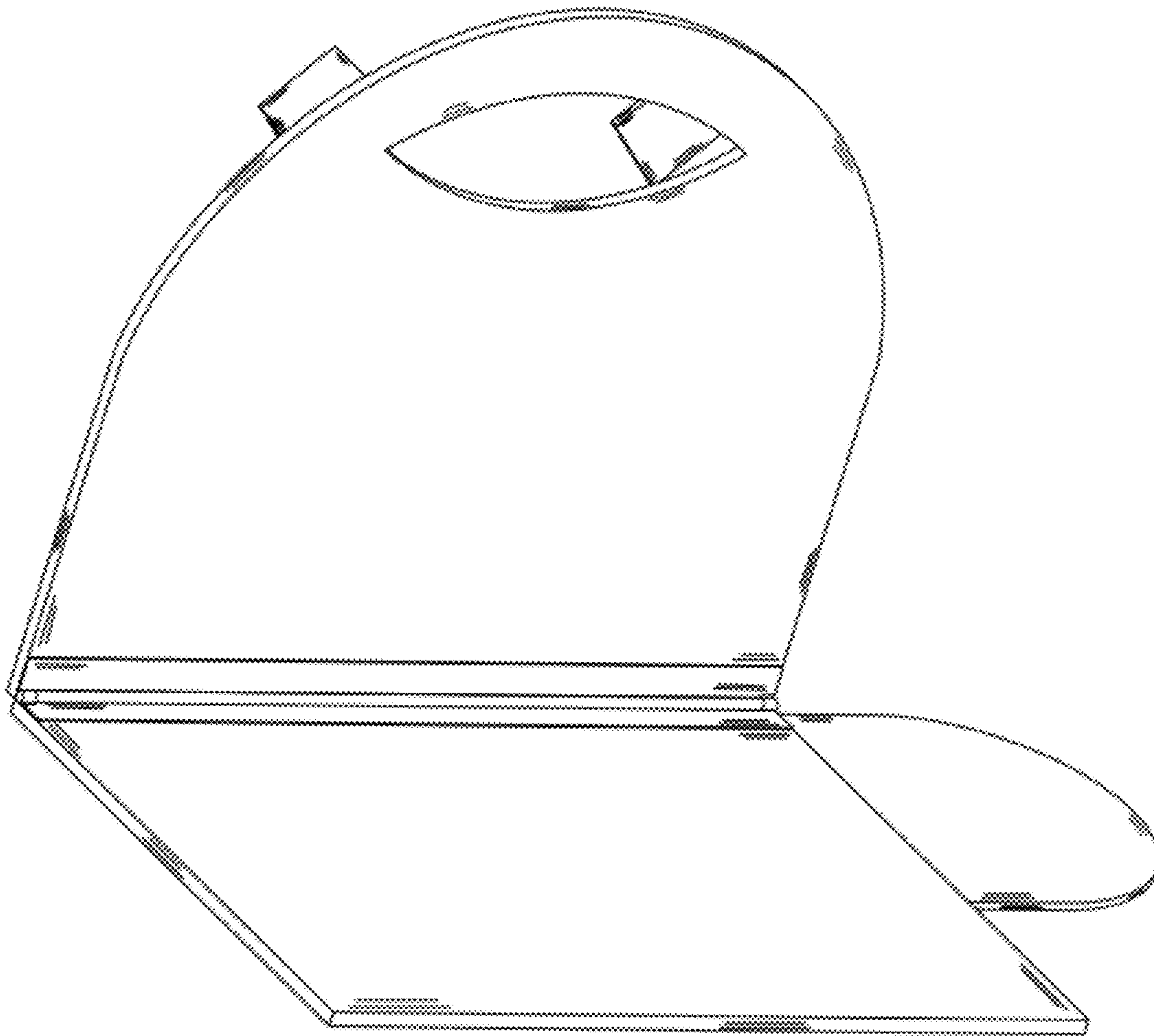


FIG. 9

