



US00D661309S

(12) **United States Design Patent**  
**Murrer et al.**

(10) **Patent No.:** **US D661,309 S**  
(45) **Date of Patent:** **\*\* Jun. 5, 2012**

(54) **MOBILE DEVICE STAND**

(76) Inventors: **Daren Paul Murrer**, Hamilton, OH  
(US); **Christopher R. Reiff**, Cincinnati,  
OH (US)

(\*\*) Term: **14 Years**

(21) Appl. No.: **29/396,309**

(22) Filed: **Jun. 28, 2011**

(51) **LOC (9) Cl.** ..... **14-02**

(52) **U.S. Cl.** ..... **D14/447**

(58) **Field of Classification Search** ..... D14/447,  
D14/432, 434, 433, 439, 440, 448, 451, 452,  
D14/457, 400, 401, 239, 217, 238.1, 250,  
D14/251, 252, 253; D21/333, 324, 325,  
D21/328, 329, 330, 331, 332; D13/107,  
D13/108; D6/310, 311, 312, 406.3, 406.4,  
D6/406.5, 419, 566; D8/363, 373, 376, 380,  
D8/381; 248/917-924, 441.1, 447, 451,  
248/459, 460, 462, 463, 121, 139, 151, 434,  
248/170, 176.1, 177.1, 281.11, 309.3, 346.5;  
361/379.02, 679.05, 679.06, 679.07, 679.09,  
361/679.1, 679.21, 679.22, 679.23, 679.25,  
361/679.26, 679.27, 679.3, 679.55, 679.56,  
361/679.29, 679.28; 379/455, 454; 312/223.3  
See application file for complete search history.

(56) **References Cited**

**U.S. PATENT DOCUMENTS**

D365,461 S *	12/1995	Falter	.....	D6/406.4
D422,556 S *	4/2000	Okura et al.	.....	D13/107
D453,155 S *	1/2002	Michel	.....	D14/253
D574,375 S *	8/2008	Prest et al.	.....	D14/253
D580,855 S *	11/2008	Haspil et al.	.....	D13/108
D603,840 S *	11/2009	Lee et al.	.....	D14/217
D623,188 S *	9/2010	Son et al.	.....	D14/434
D623,641 S *	9/2010	Harden et al.	.....	D14/253
D636,395 S *	4/2011	Anderson et al.	.....	D14/434
D637,601 S *	5/2011	Symons	.....	D14/447

D642,121 S *	7/2011	Lee et al.	.....	D13/108
D647,525 S *	10/2011	Seto	.....	D14/434
D648,325 S *	11/2011	Akana et al.	.....	D14/217

**OTHER PUBLICATIONS**

Drbakker, DIY wooden \$5 iPad Dock/Stand, Apr. 21, 2010, <http://www.instructables.com/id/DIY-wooden-5-iPad-Dock-Stand/>.\*

\* cited by examiner

*Primary Examiner* — Angela J Lee

(74) *Attorney, Agent, or Firm* — Thomas W. Humphrey

(57) **CLAIM**

The ornamental design for mobile device stand, as shown and described.

**DESCRIPTION**

FIG. 1 is a perspective view of a mobile device stand shown in use with a landscape orientation mobile device shown in broken lines;

FIG. 2 is another perspective view thereof, but shown in use with a portrait orientation mobile device shown in broken lines;

FIG. 3 is another perspective view thereof, but shown in use with an alternate landscape orientation mobile device shown in broken lines;

FIG. 4 is another perspective view thereof, but shown in use with a portrait orientation mobile device shown in broken lines;

FIG. 5 is another perspective view of the mobile device stand showing the present invention;

FIG. 6 is a front view thereof;

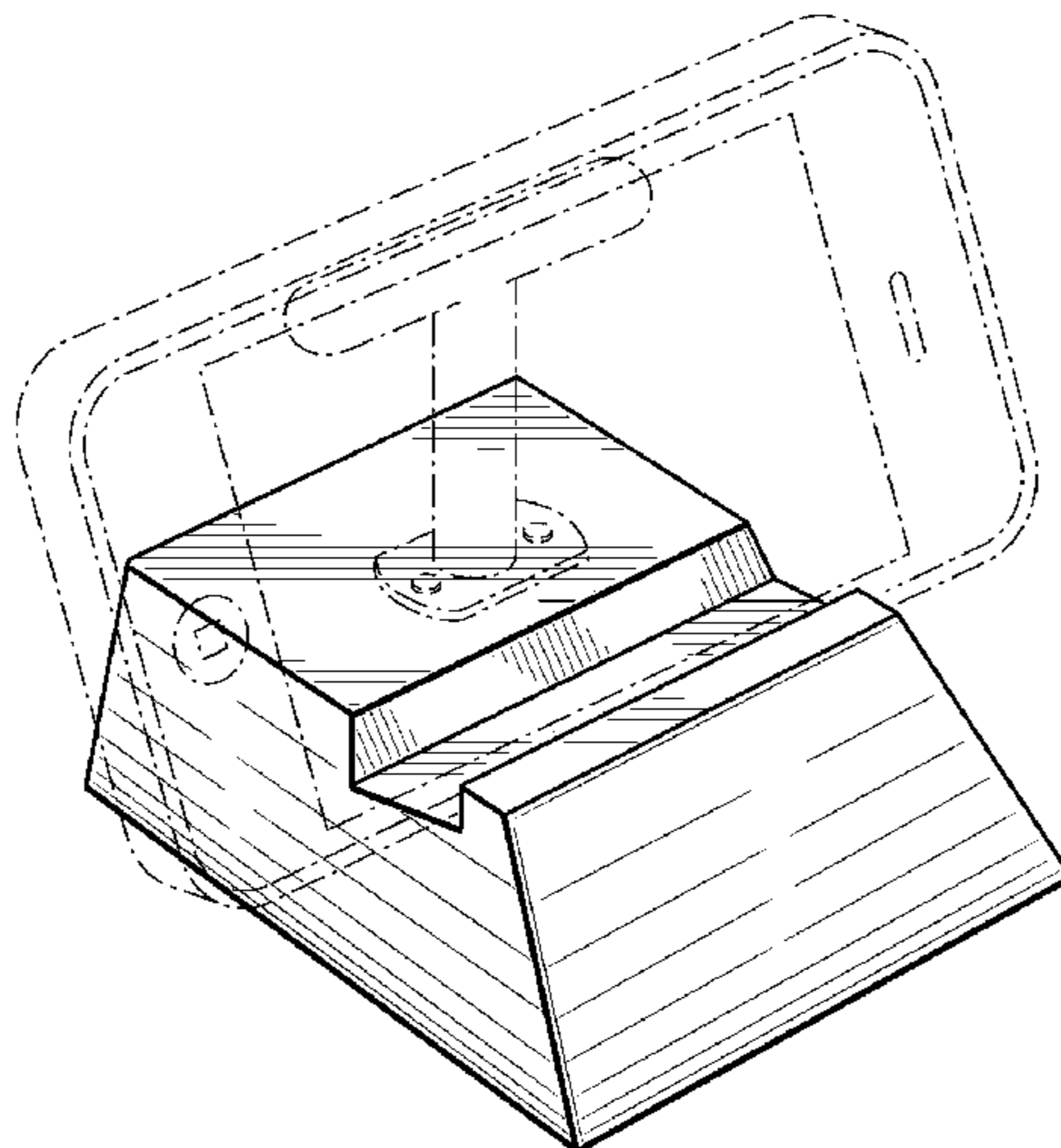
FIG. 7 is a left side view thereof; the right side view is a mirror image thereof;

FIG. 8 is a top view thereof; and,

FIG. 9 is a bottom view thereof.

The broken line showing of a mobile device and unclaimed portions of the mobile device stand is included for the purpose of illustrating environment and forms no part of the claimed design.

**1 Claim, 5 Drawing Sheets**



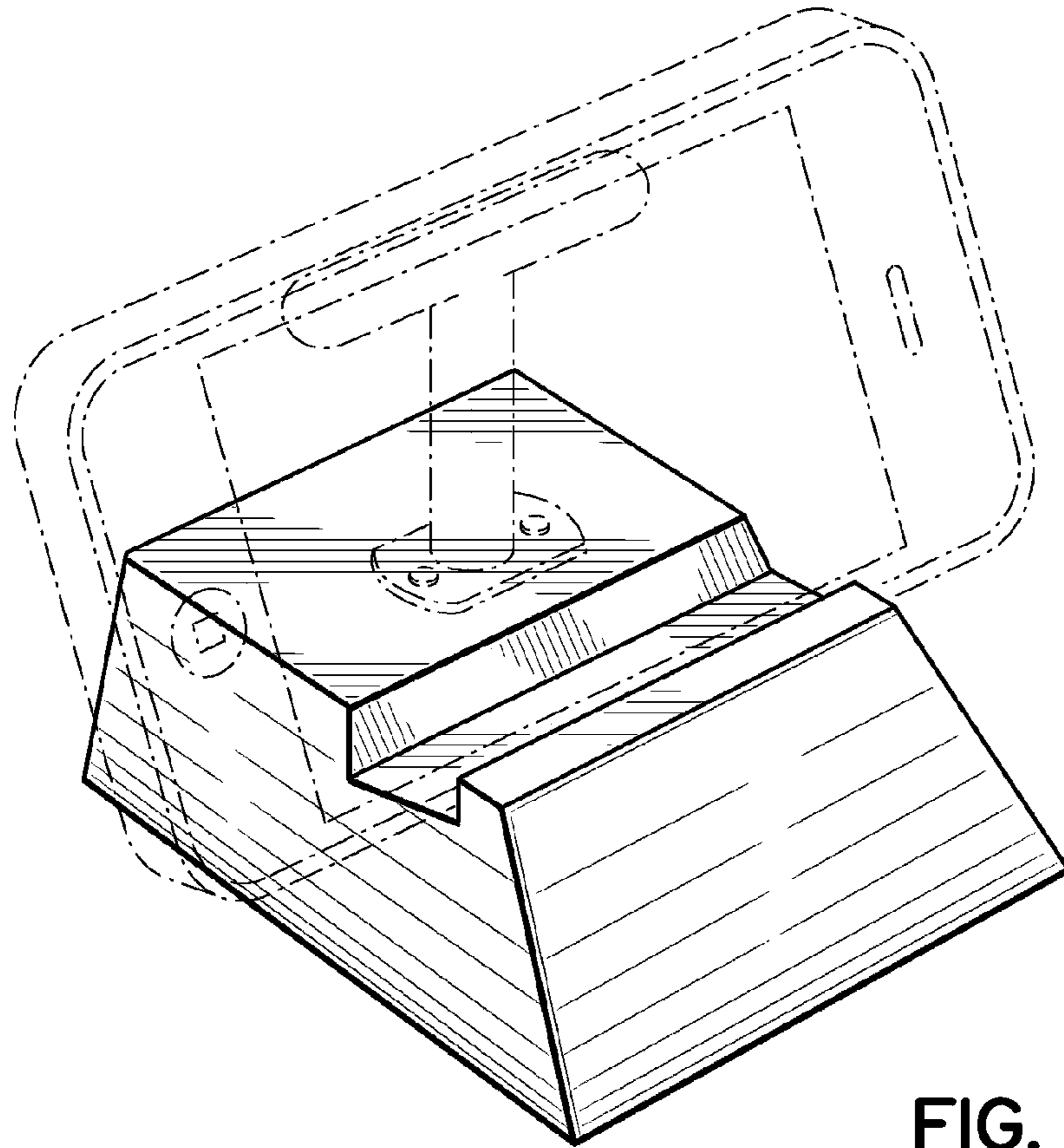


FIG. 1

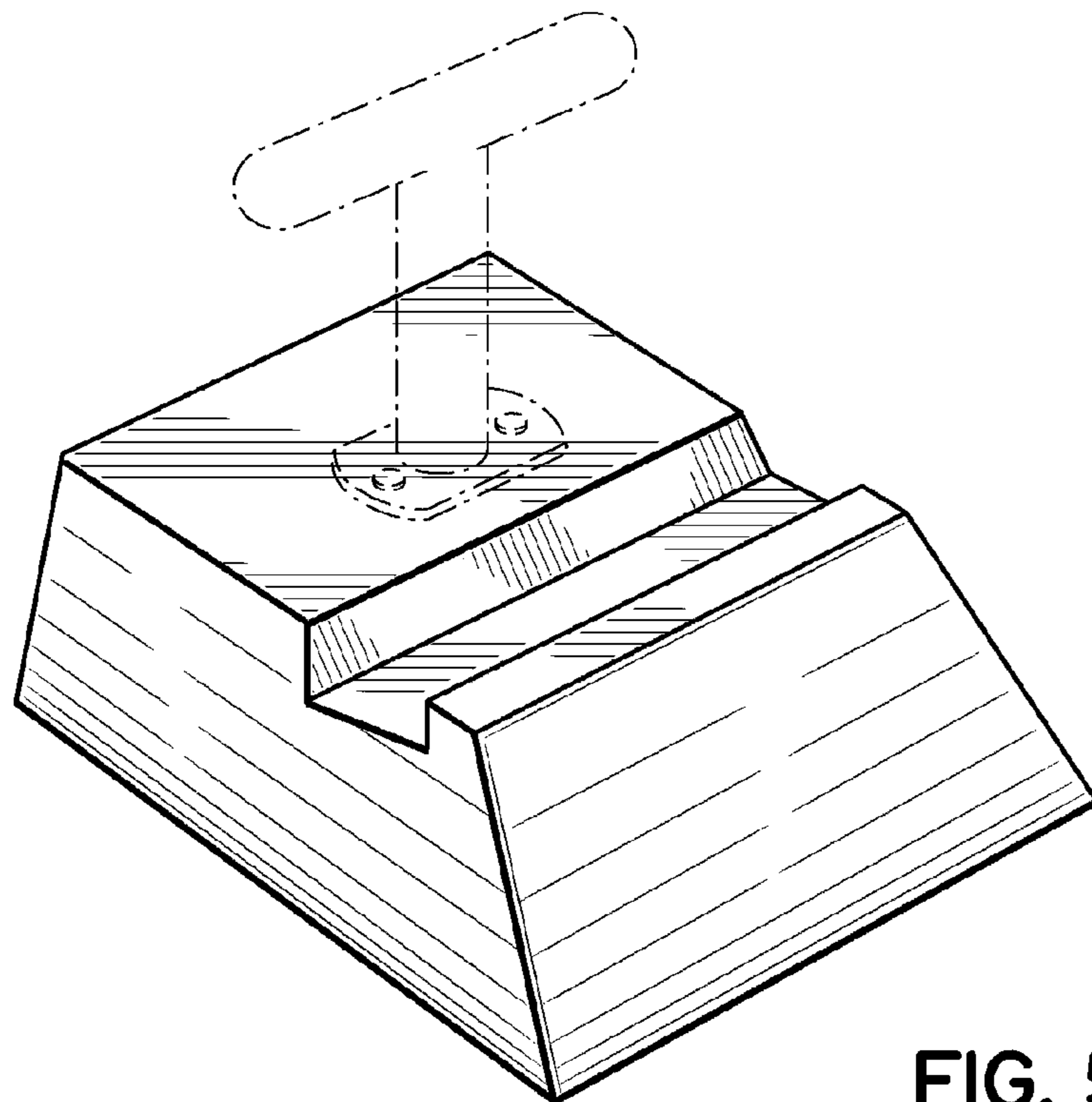


FIG. 5

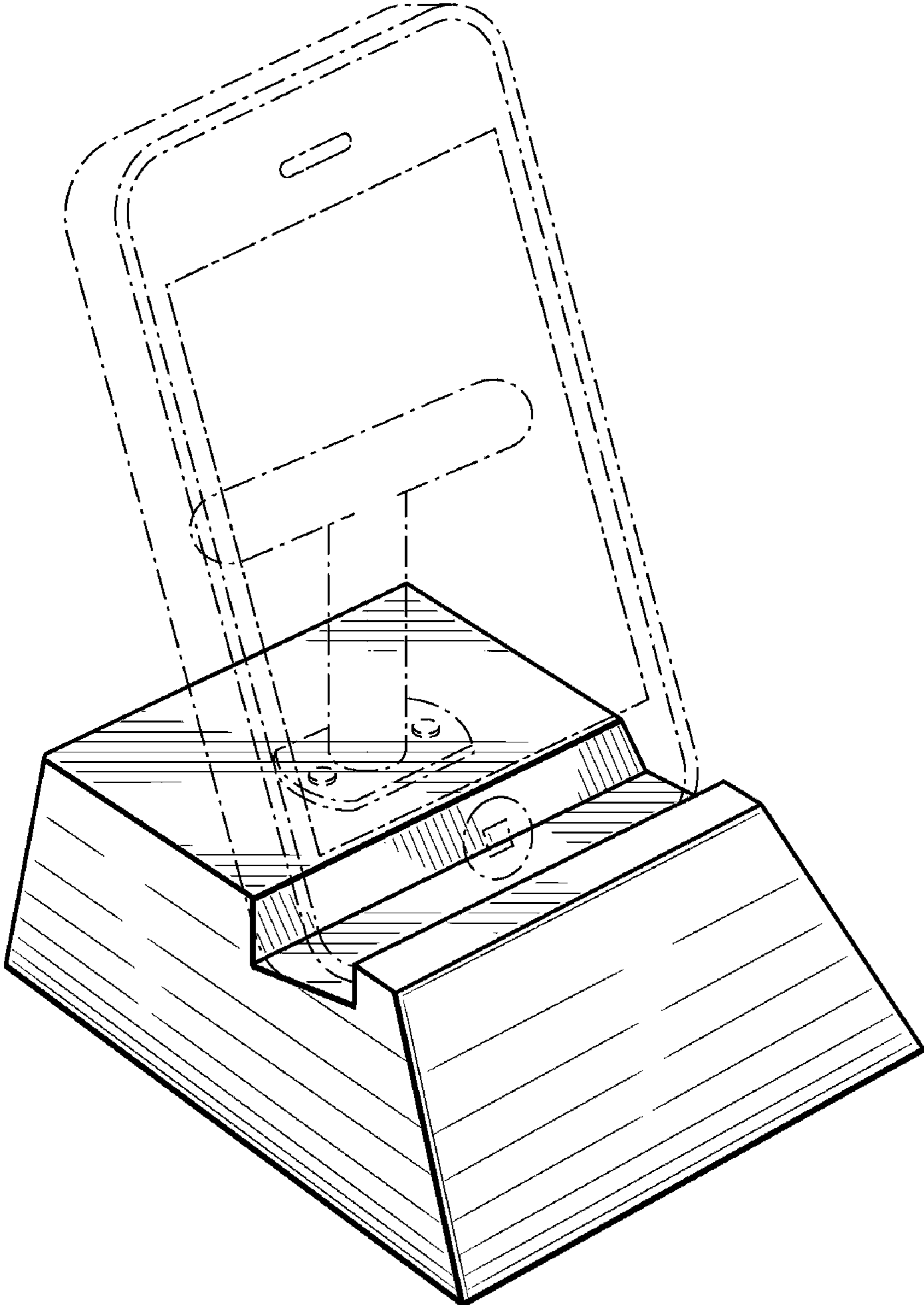


FIG. 2



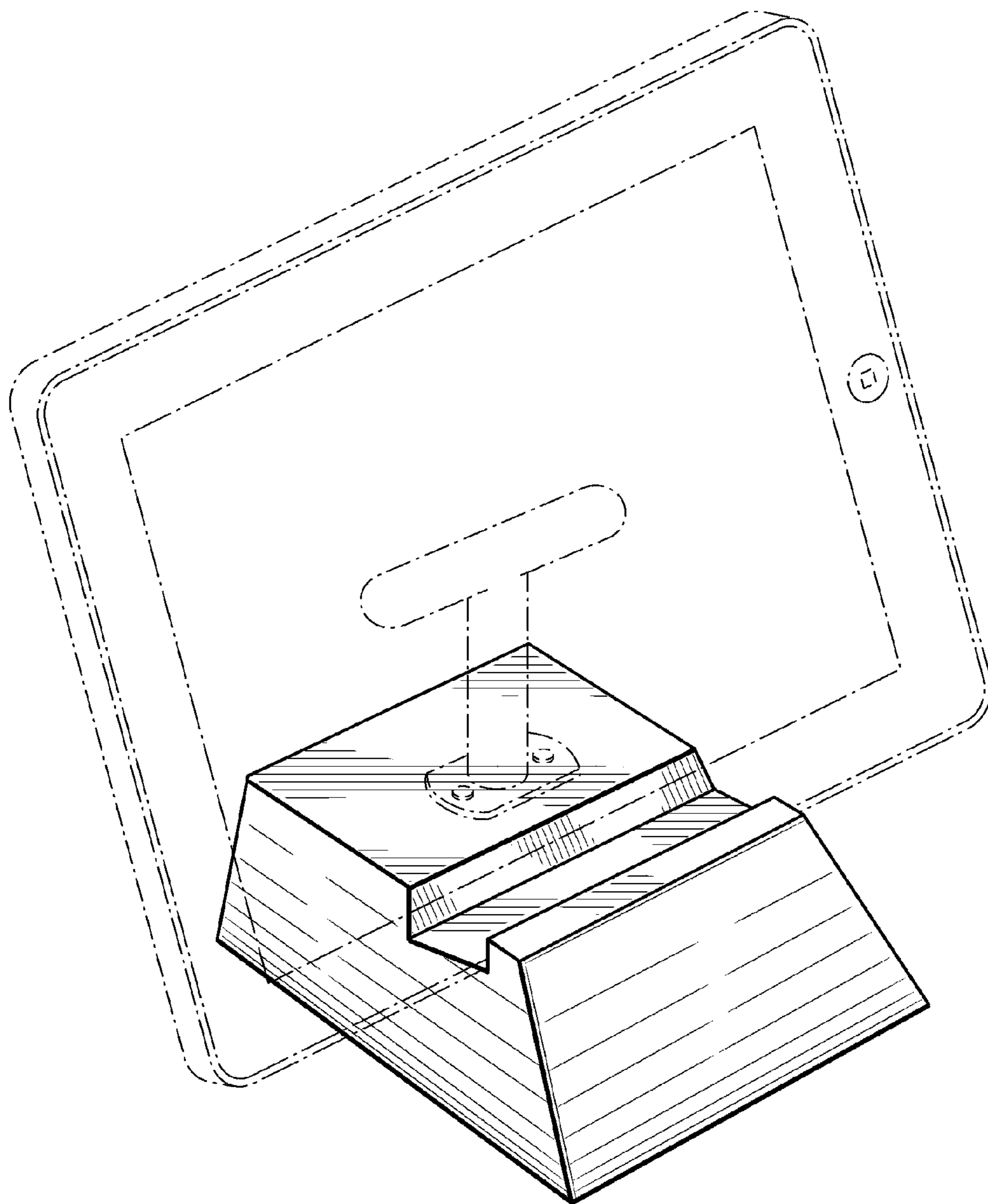


FIG. 3

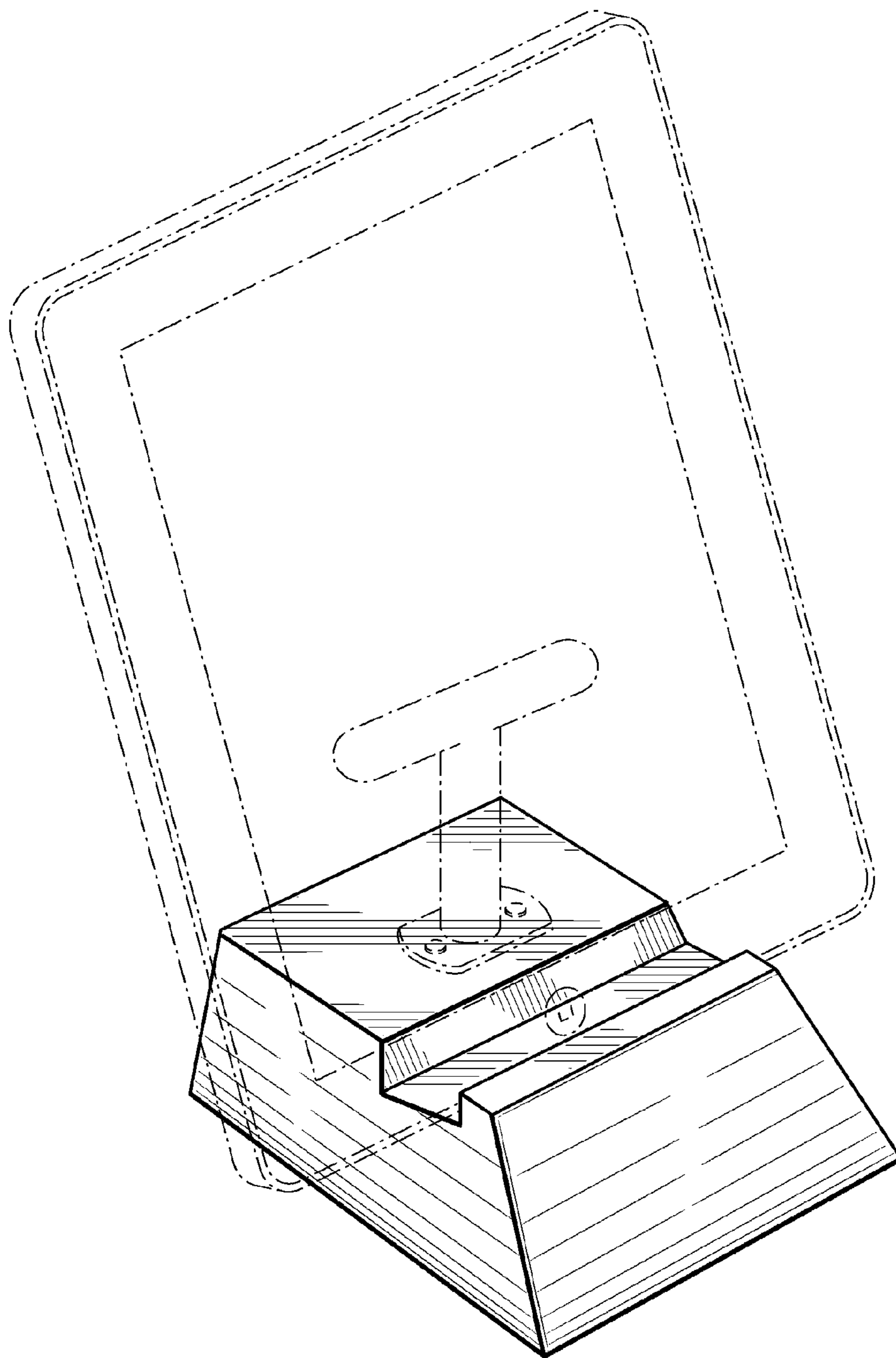


FIG. 4

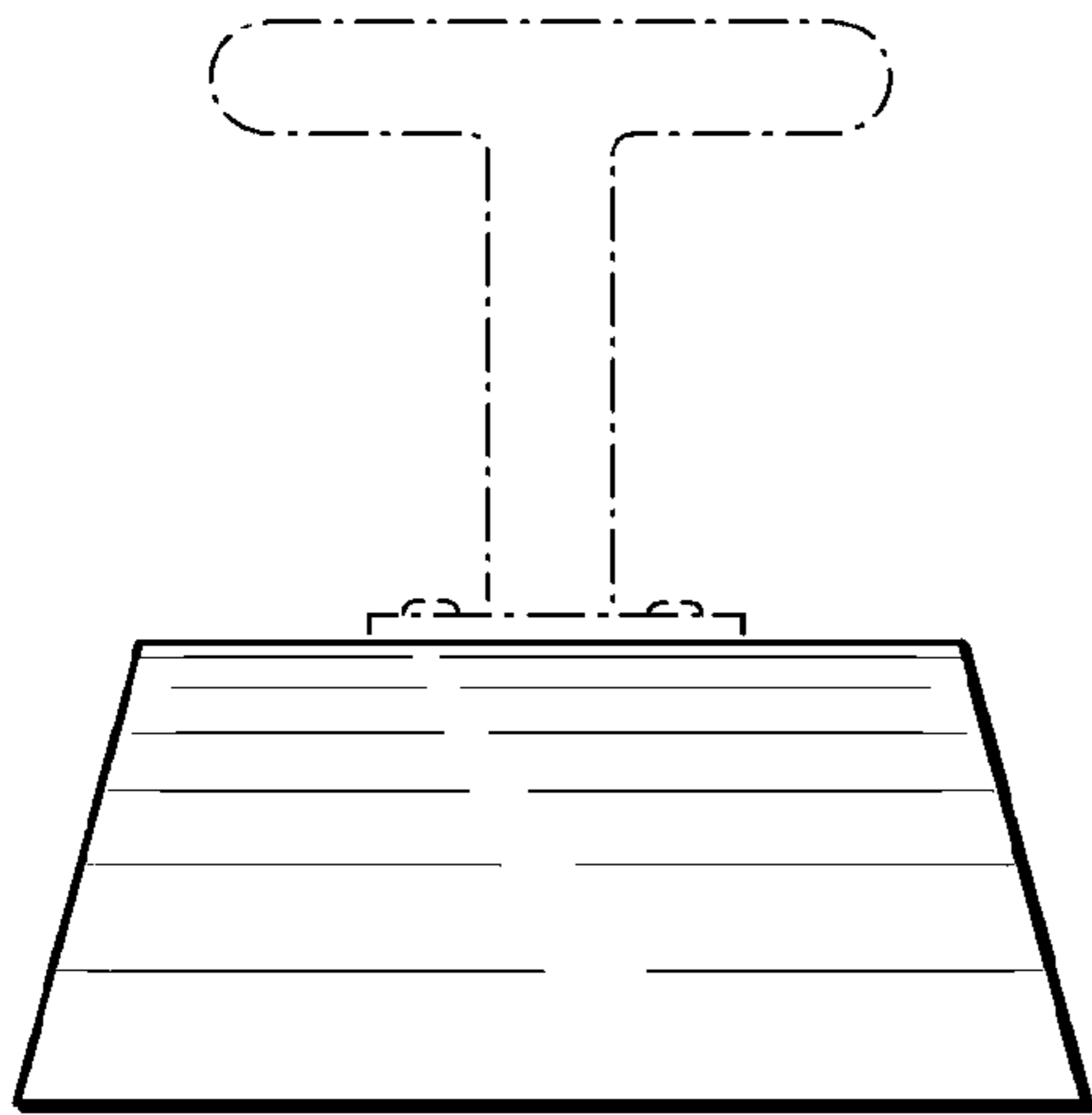


FIG. 6

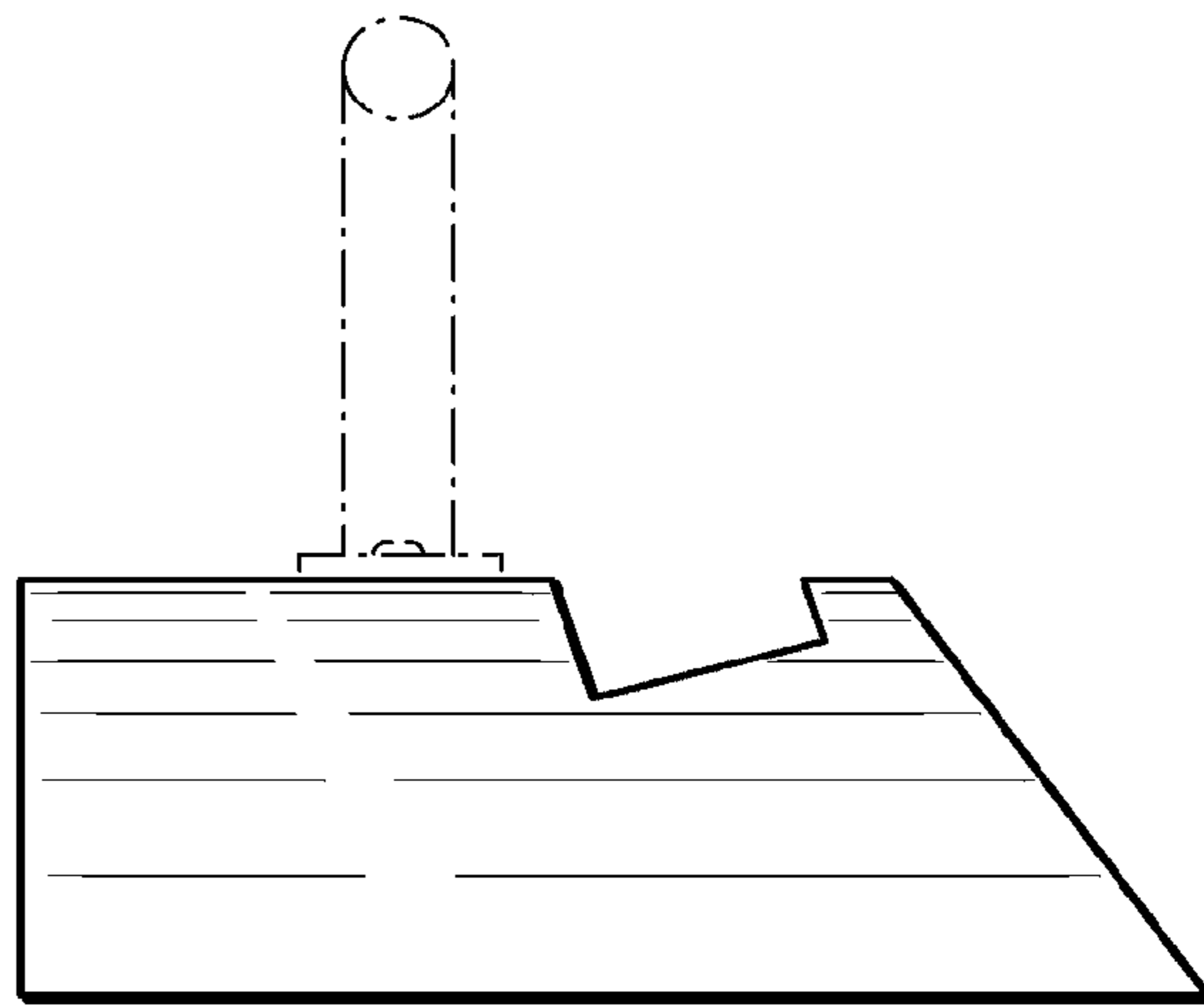


FIG. 7

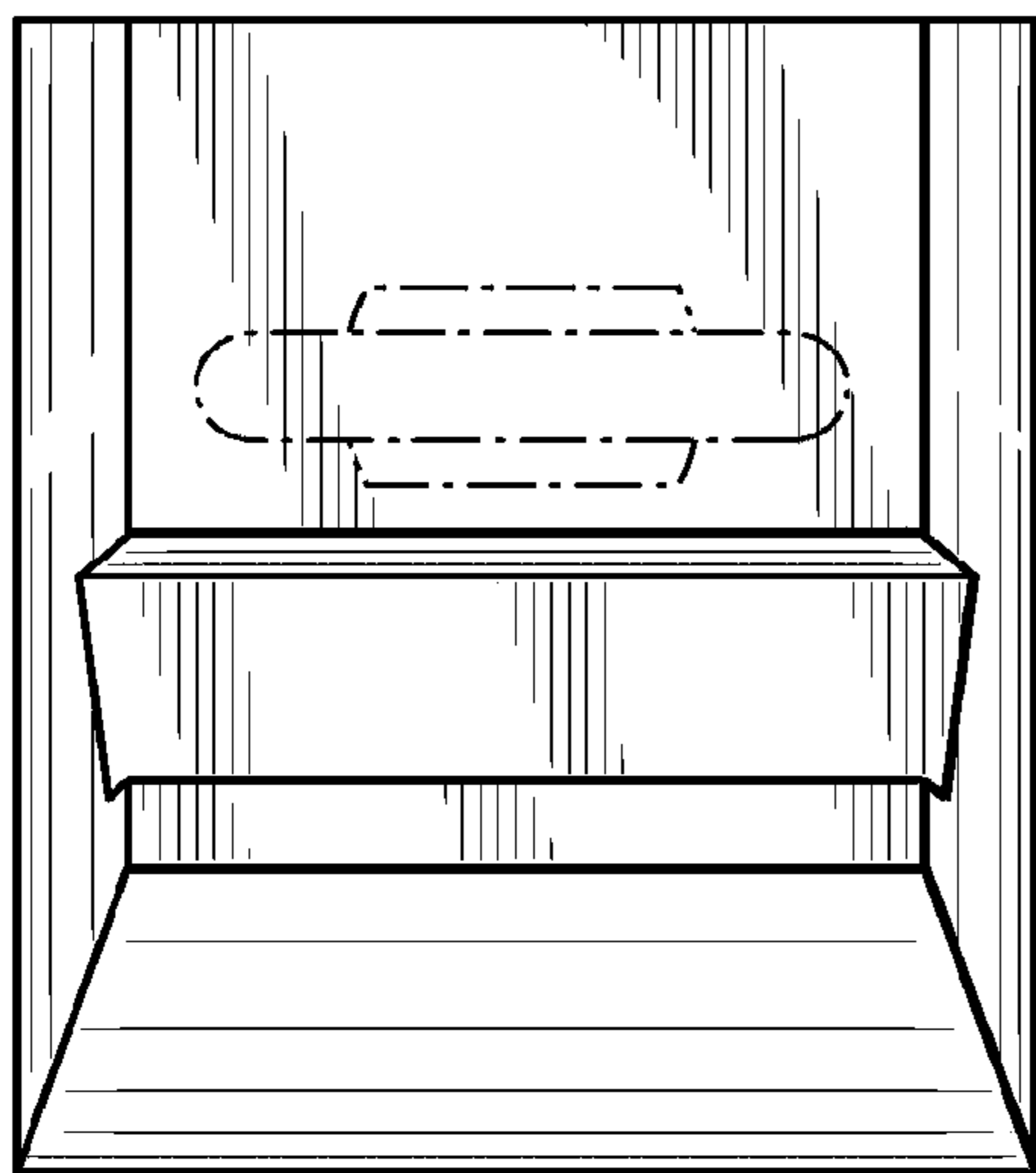


FIG. 8

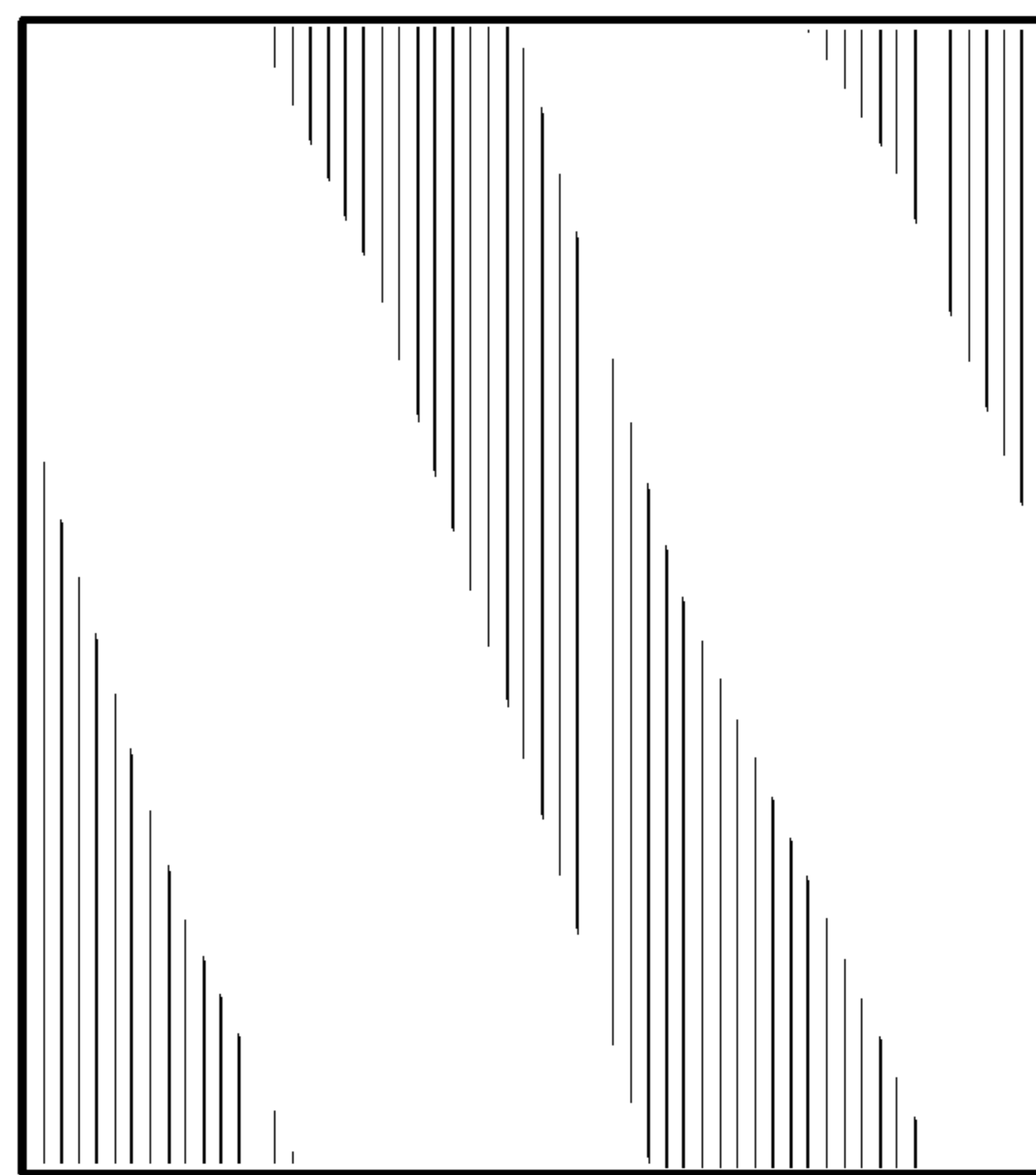


FIG. 9