



US00D661307S

(12) **United States Design Patent**
Hwang et al.

(10) **Patent No.:** **US D661,307 S**
(45) **Date of Patent:** **** Jun. 5, 2012**

(54) **DOCKING STATION**

(75) Inventors: **Steven Hwang**, San Francisco, CA (US);
Christopher C. Jones, San Francisco,
CA (US)

(73) Assignee: **Cisco Technology, Inc.**, San Jose, CA
(US)

(**) Term: **14 Years**

(21) Appl. No.: **29/406,454**

(22) Filed: **Nov. 15, 2011**

Related U.S. Application Data

(62) Division of application No. 29/364,774, filed on Jun.
28, 2010, now Pat. No. Des. 652,039.

(51) **LOC (9) Cl.** **14-02**

(52) **U.S. Cl.** **D14/434; D13/107; D13/108;**
D14/151

(58) **Field of Classification Search** D14/432-434,
D14/314, 204, 420, 421, 447, 217, 358, 151;
D13/107, 108, 146; D8/373; 248/346.03,
248/176.1; 361/679.41, 679.31, 679.32,
361/679.4, 679.43, 679.55, 755; 320/109,
320/112-115

See application file for complete search history.

(56) **References Cited**

U.S. PATENT DOCUMENTS

D410,005 S	5/1999	Landry et al.
6,130,521 A	10/2000	Collins et al.
D442,141 S	5/2001	Ikenaga
6,290,534 B1	9/2001	Sadler
D469,097 S	1/2003	Liu
D472,900 S	4/2003	Matsumoto
6,545,864 B2	4/2003	Davis, IV
7,145,603 B2	12/2006	Whitby et al.
D540,802 S	4/2007	Hussaini et al.
D554,107 S	10/2007	Calco et al.
D561,182 S	2/2008	Jenkins et al.
D575,263 S	8/2008	Brown et al.
D575,786 S	8/2008	Solomon et al.

D579,917 S	11/2008	Marchand et al.
D584,731 S	1/2009	Montgomery et al.
D605,615 S	12/2009	Fuxen
D607,879 S	1/2010	Ferber et al.
D608,351 S	1/2010	Song
D609,707 S	2/2010	Lee
D611,031 S	3/2010	Lesniak et al.
D639,811 S	6/2011	Hwang et al.
D652,039 S *	1/2012	Hwang et al. D14/151
2008/0219488 A1	9/2008	Crooijmans et al.
2010/0118485 A1	5/2010	Crooijmans et al.

* cited by examiner

Primary Examiner — Freda S Nunn

(74) *Attorney, Agent, or Firm* — Edell, Shapiro & Finnan,
LLC

(57) **CLAIM**

The ornamental design for a docking station, as shown and
described.

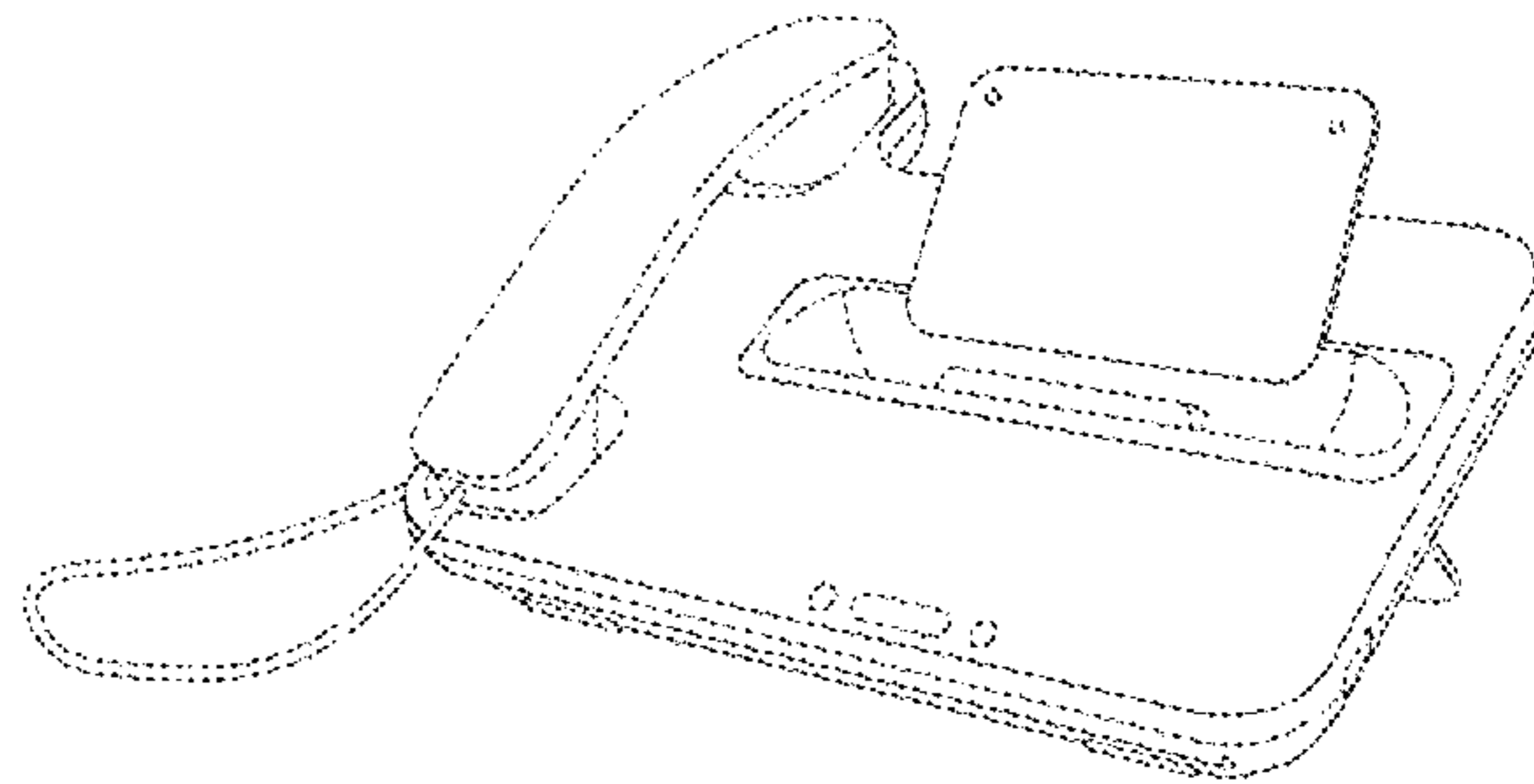
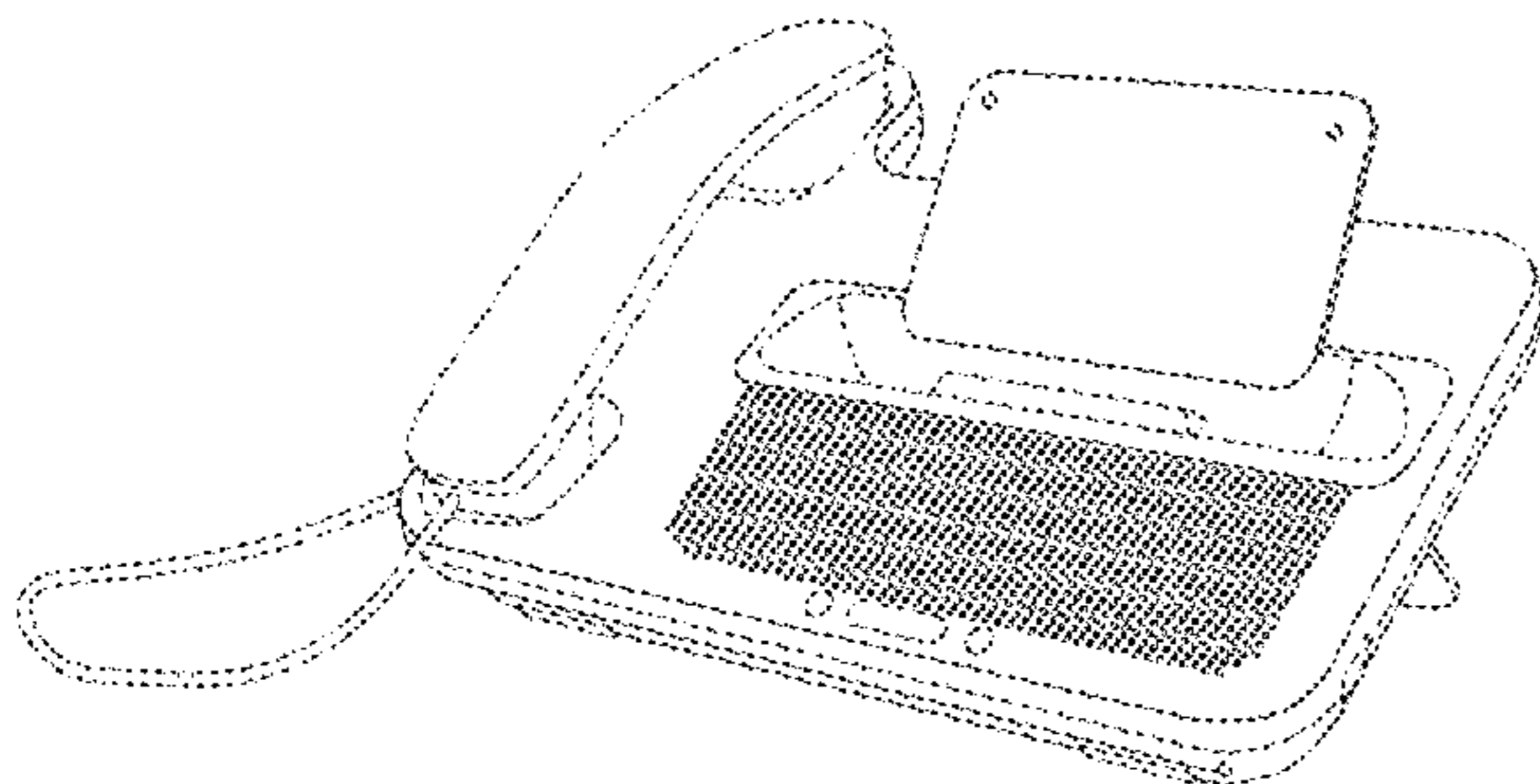
DESCRIPTION

FIG. 1 is a front perspective view of a docking station accord-
ing to the present invention;
FIG. 2 is a rear perspective view thereof;
FIG. 3 is a front view thereof;
FIG. 4 is a rear view thereof;
FIG. 5 is a top view thereof;
FIG. 6 is a bottom view thereof;
FIG. 7 is a right side view thereof;
FIG. 8 is a left side view thereof;
FIG. 9 is a front perspective view of another embodiment
thereof;
FIG. 10 is a rear perspective view thereof; and,
FIG. 11 is a front view thereof.

The rear, bottom, right side, and left side views of the second
embodiment are common to those shown in the first embodi-
ment, and broken lines shown in the drawings illustrate por-
tions of the docking station and form no part of the claimed
design.

The portions shown in phantom are for illustrative purposes
only and form no part of the claimed design.

1 Claim, 11 Drawing Sheets



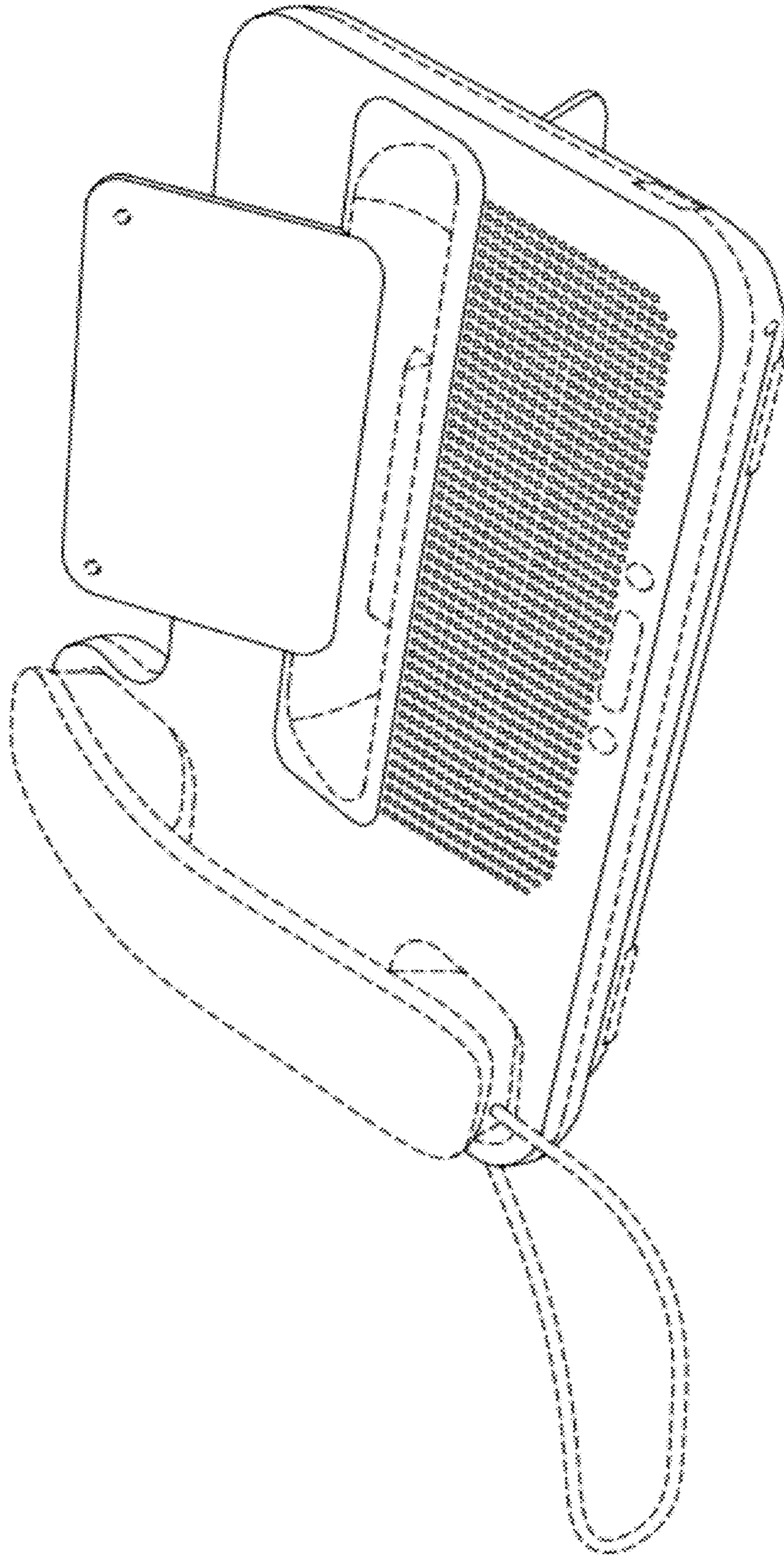


FIG.1

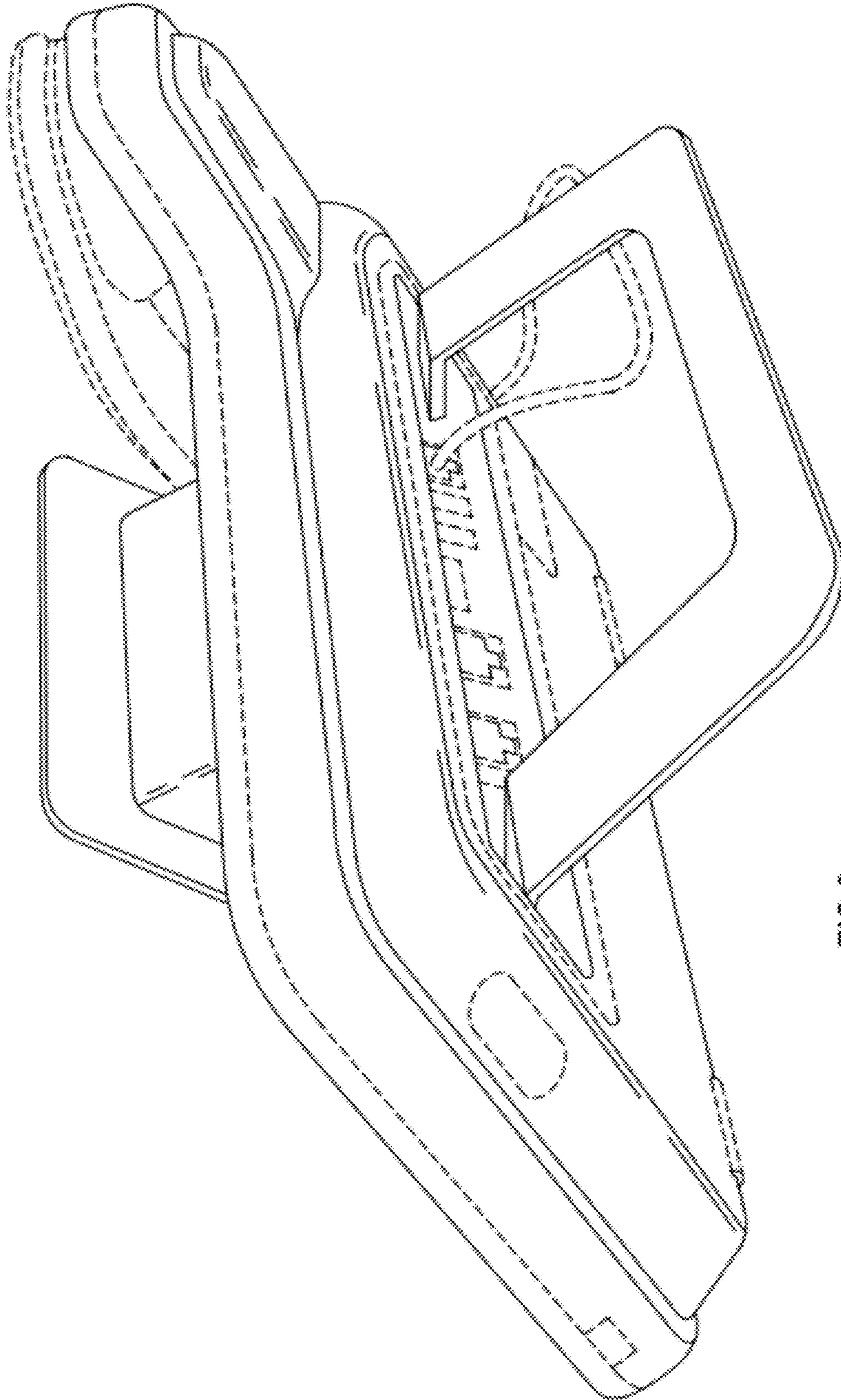


FIG.2

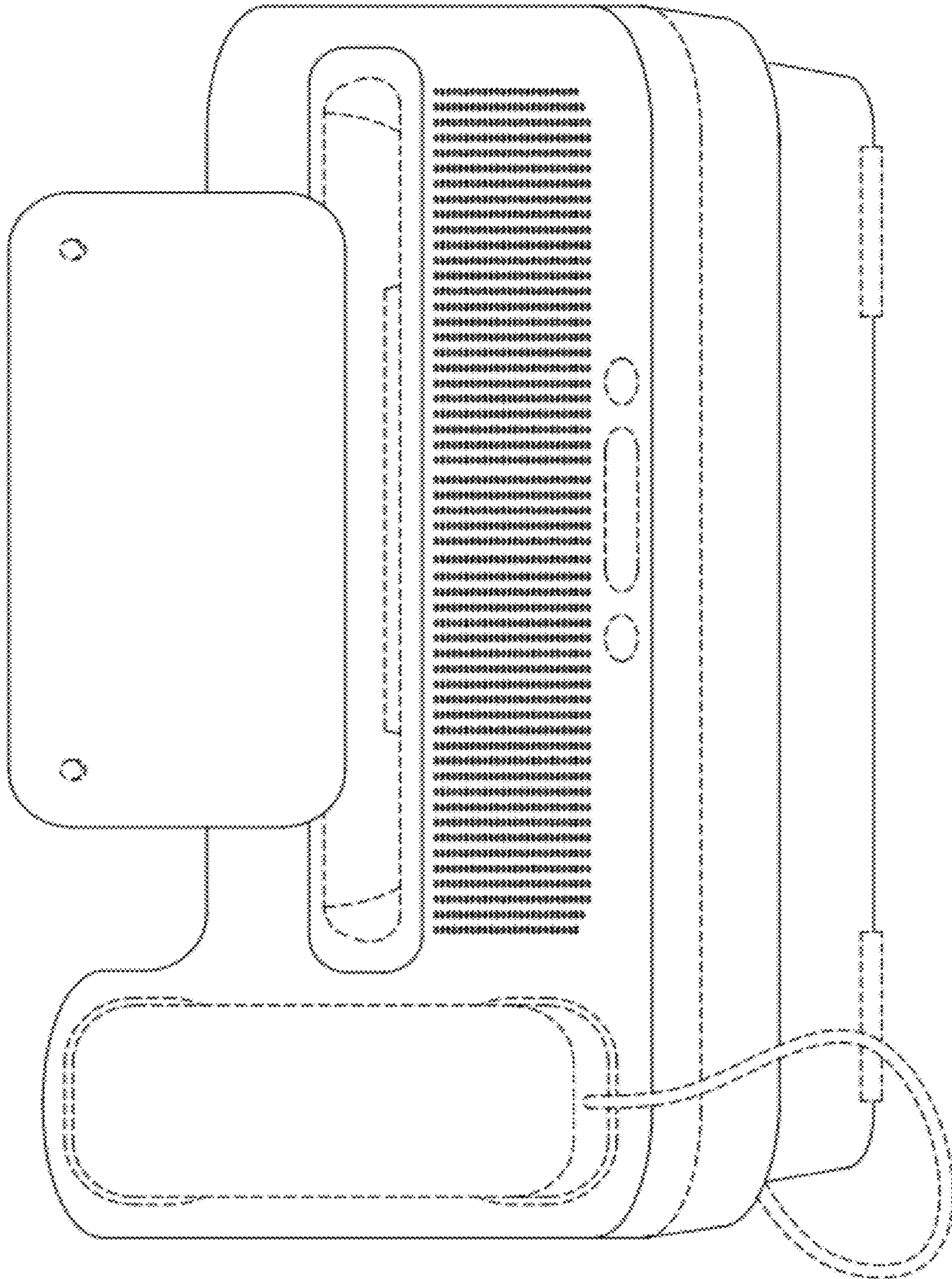


FIG.3

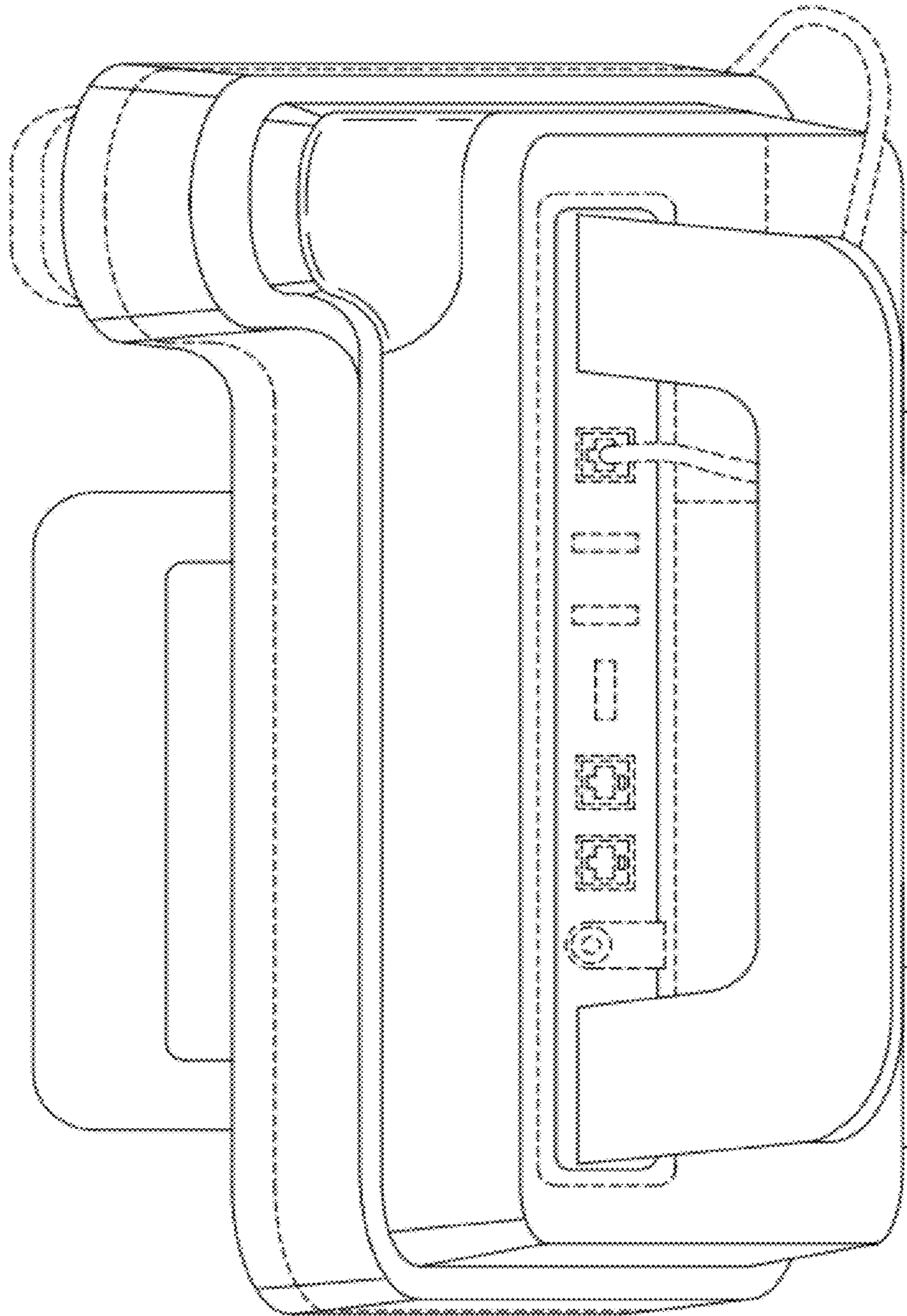


FIG. 4

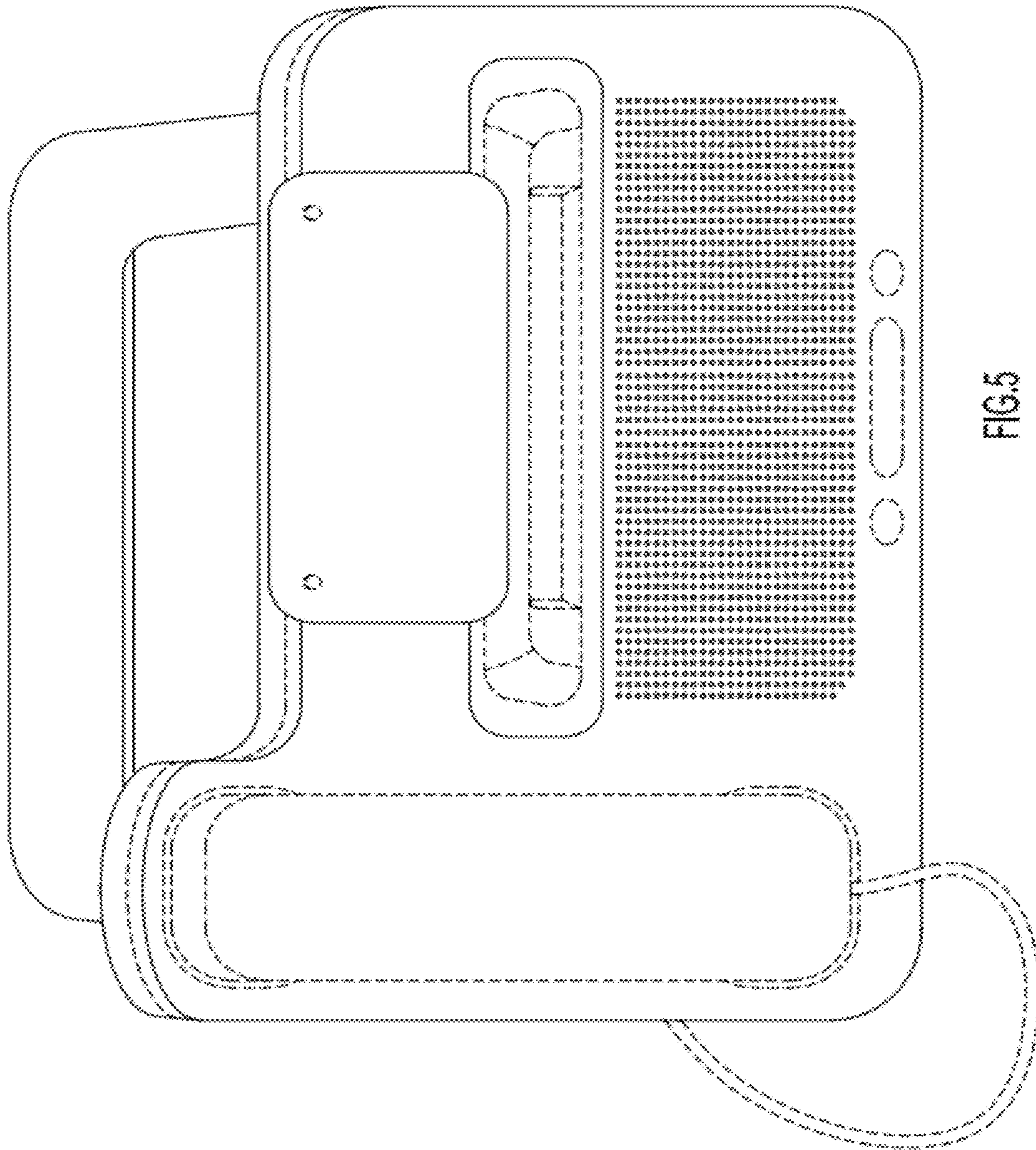


FIG. 5

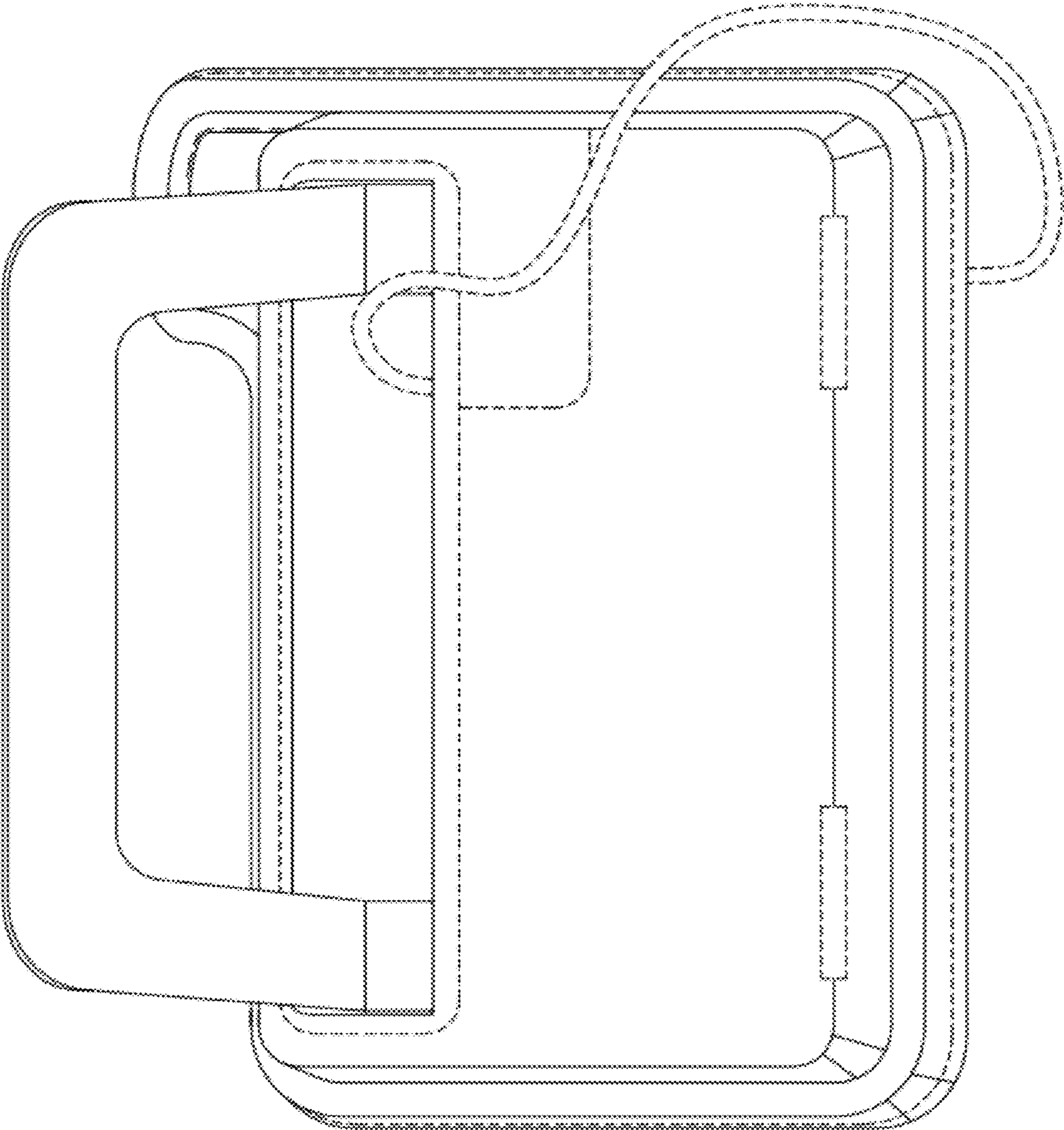


FIG. 6

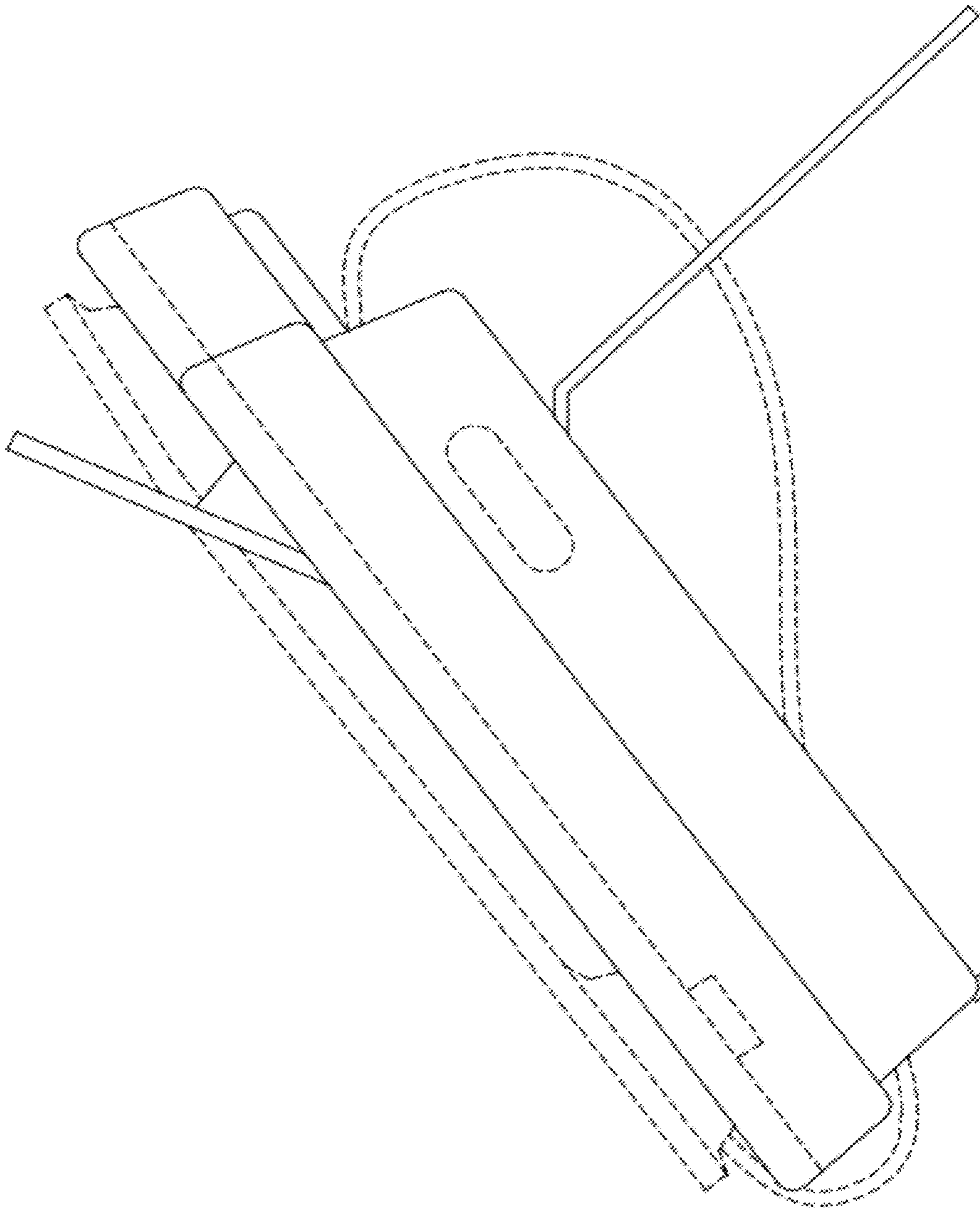


FIG.7

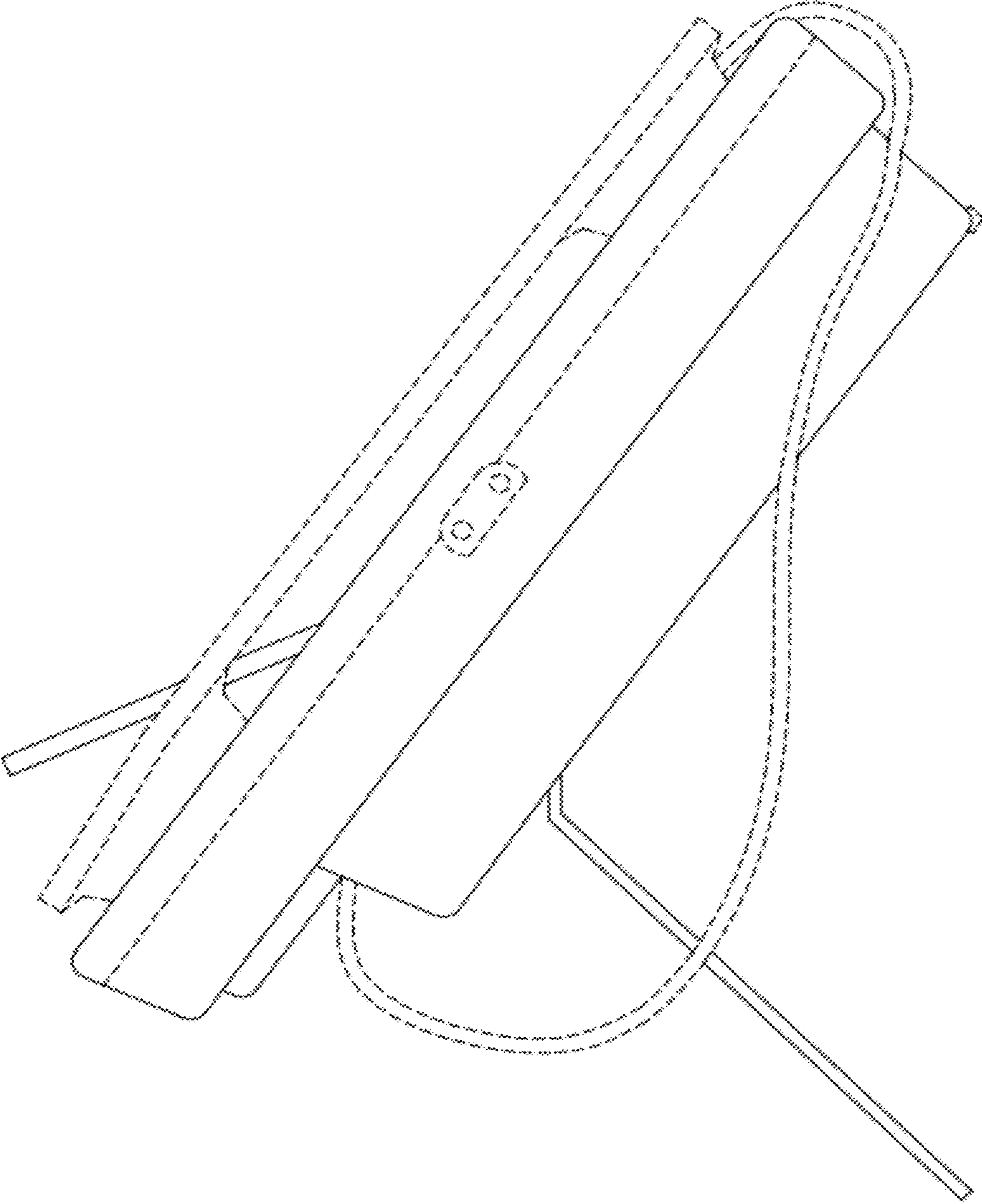


FIG.8

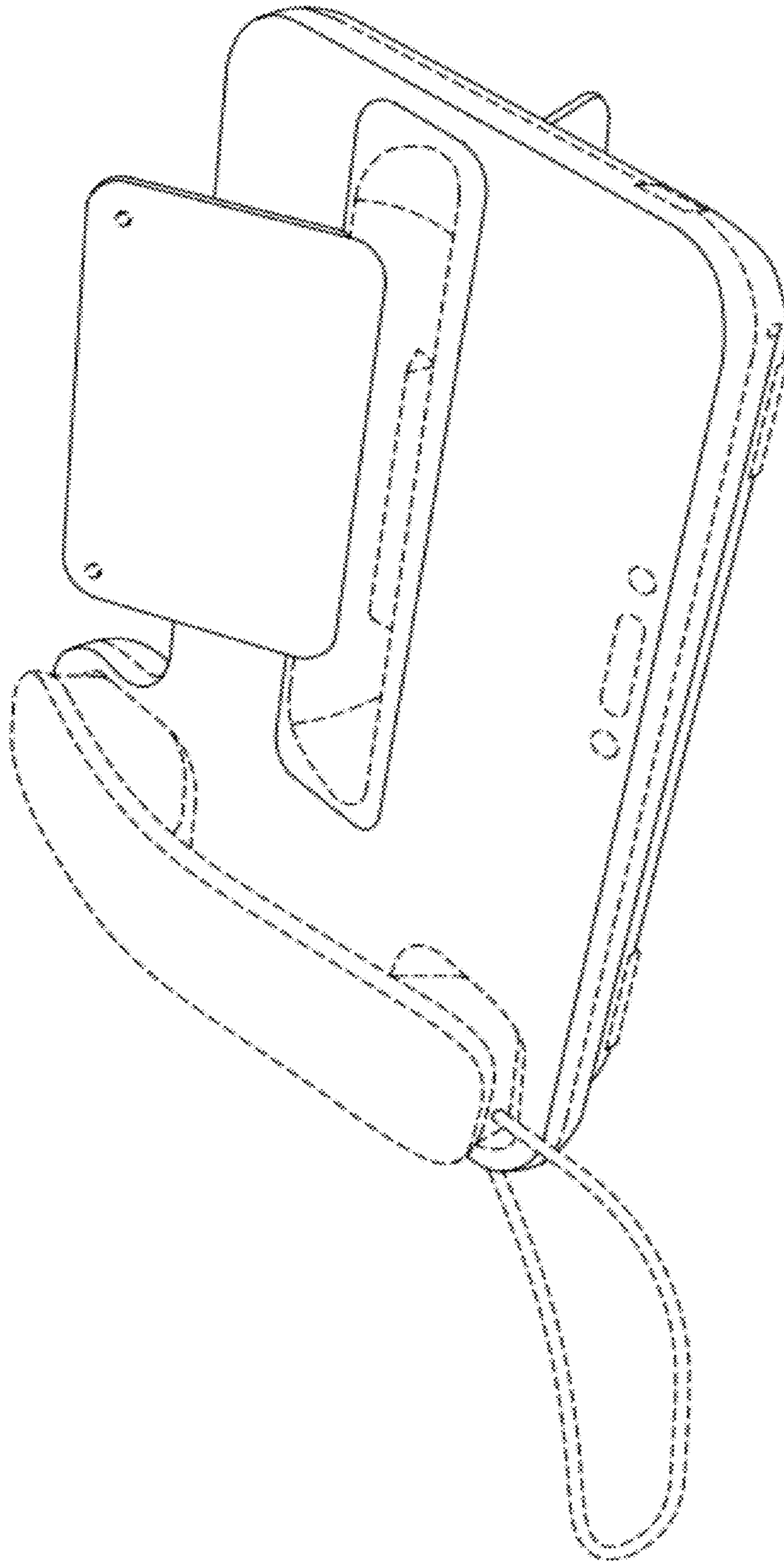


FIG. 9

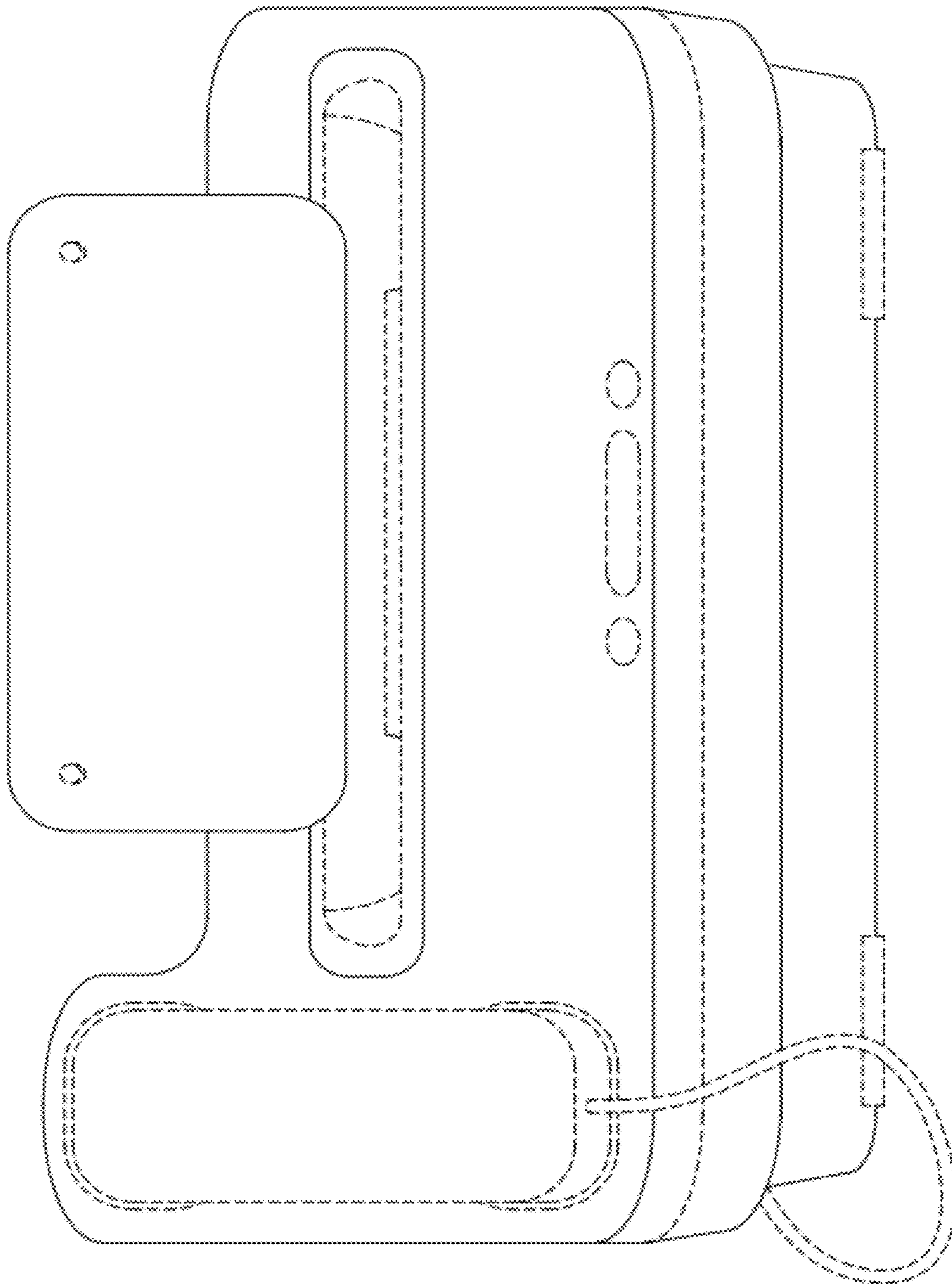


FIG.10

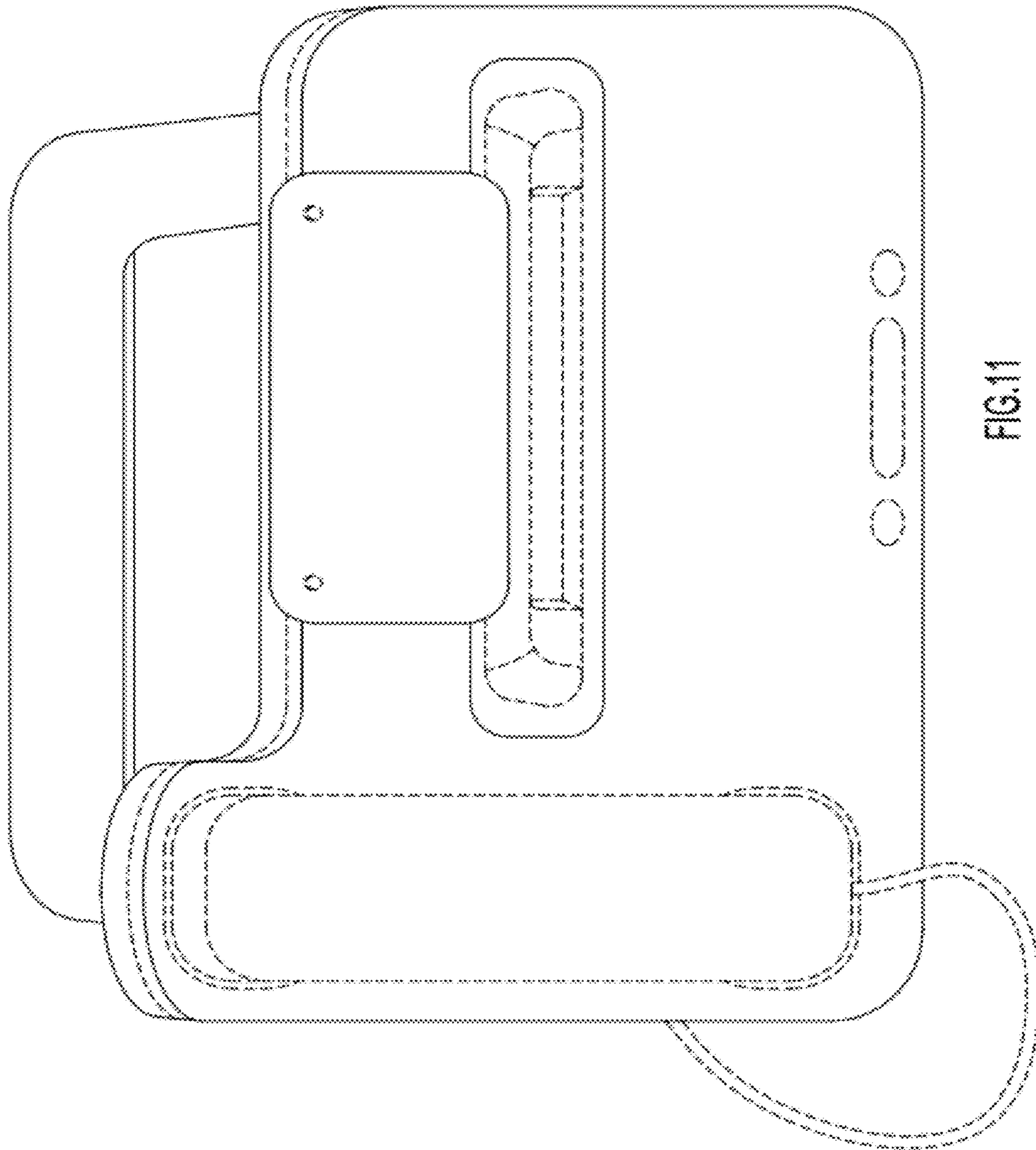


FIG. 11