

US00D661305S

(12) **United States Design Patent**
Andre et al.

(10) **Patent No.:** **US D661,305 S**
(45) **Date of Patent:** **** Jun. 5, 2012**

(54) **MONITOR**

248/278.1, 157; 341/12; 345/104, 156, 168,
173, 901-905; 348/180, 184, 325, 836; 349/1,
2, 11, 62; 361/679.21-679.27

(75) Inventors: **Bartley K. Andre**, Menlo Park, CA (US); **Daniel J. Coster**, San Francisco, CA (US); **Daniele De Iuliis**, San Francisco, CA (US); **Evans Hankey**, San Francisco, CA (US); **Richard P. Howarth**, San Francisco, CA (US); **Jonathan P. Ive**, San Francisco, CA (US); **Duncan Robert Kerr**, San Francisco, CA (US); **Shin Nishibori**, Portola Valley, CA (US); **Matthew Dean Rohrbach**, San Francisco, CA (US); **Peter Russell-Clarke**, San Francisco, CA (US); **Douglas B. Satzger**, Menlo Park, CA (US); **Christopher J. Stringer**, Woodside, CA (US); **Eugene Antony Whang**, San Francisco, CA (US); **Rico Zorkendorfer**, San Francisco, CA (US)

See application file for complete search history.

(56) **References Cited**

U.S. PATENT DOCUMENTS

D294,262 S	2/1988	Thies et al.
D414,471 S	9/1999	Poole et al.
D416,877 S	11/1999	Liu et al.
D424,033 S	5/2000	Hsu
D424,034 S	5/2000	Li

(Continued)

OTHER PUBLICATIONS

Appendix in U.S. Appl. No. 29/201,636 entitled "Electronic Device" filed Mar. 17, 2004, now USPN D504,889.

(Continued)

Primary Examiner — Freda Nunn

(74) *Attorney, Agent, or Firm* — SAIDMAN DesignLaw Group

(73) Assignee: **Apple Inc.**, Cupertino, CA (US)

(**) Term: **14 Years**

(21) Appl. No.: **29/408,029**

(22) Filed: **Dec. 6, 2011**

Related U.S. Application Data

(60) Continuation of application No. 29/390,419, filed on Apr. 25, 2011, now Pat. No. Des. 651,602, which is a continuation of application No. 29/380,605, filed on Dec. 8, 2010, now Pat. No. Des. 638,013, which is a continuation of application No. 29/355,762, filed on Feb. 12, 2010, now Pat. No. Des. 630,210, which is a division of application No. 29/326,226, filed on Oct. 14, 2008, now abandoned, which is a continuation of application No. 29/326,078, filed on Oct. 10, 2008, now Pat. No. Des. 600,696.

(51) **LOC (9) Cl.** **14-02**

(52) **U.S. Cl.** **D14/374**

(58) **Field of Classification Search** D14/371-375, D14/125-129, 341-346; 248/917-924, 176.1,

(57) **CLAIM**

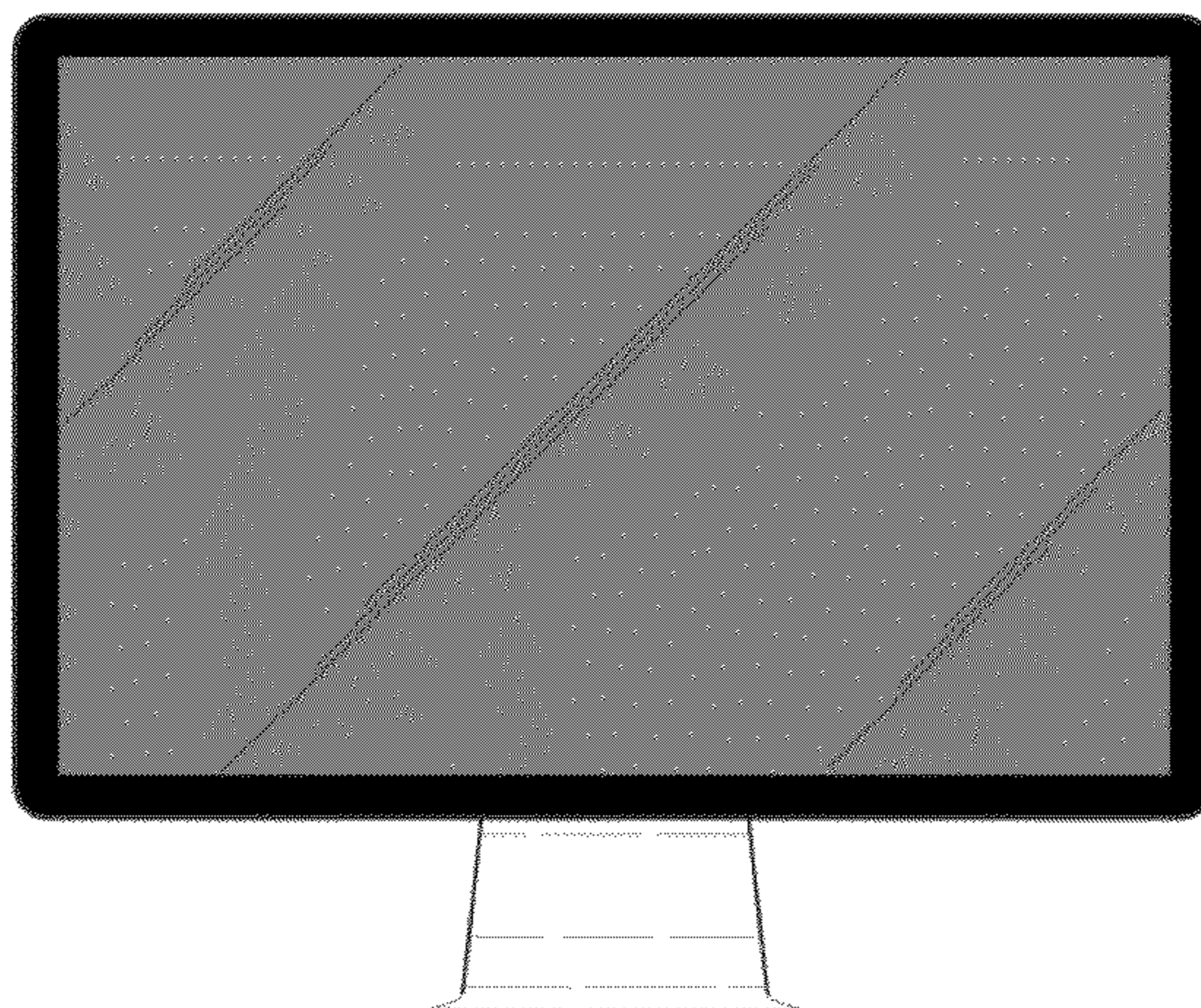
The ornamental design for a monitor, as shown and described.

DESCRIPTION

FIG. 1 is a front view of a monitor showing our new design; FIG. 2 is a rear view thereof; FIG. 3 is a left side view thereof; FIG. 4 is a right side view thereof; FIG. 5 is a top view thereof; and, FIG. 6 is a bottom view thereof.

The closely spaced parallel diagonal shade lines indicate translucency. The broken lines are for the purpose of illustrating portions of the monitor and form no part of the claimed design. The black shading on the front of the monitor represents the color black and the dark gray shading on the front of the monitor represents the color gray.

1 Claim, 4 Drawing Sheets



US D661,305 S

Page 2

U.S. PATENT DOCUMENTS

D428,415 S 7/2000 Shibata
D432,101 S 10/2000 Oba
D434,763 S 12/2000 Jobs et al.
D448,031 S 9/2001 Goetz
D456,023 S 4/2002 Andre et al.
D457,864 S 5/2002 Bong et al.
D464,049 S 10/2002 Goto
D476,335 S 6/2003 Miao et al.
D483,020 S 12/2003 Nagao et al.
D489,042 S 4/2004 Joe et al.
D492,291 S 6/2004 Takahashi et al.
D492,684 S 7/2004 Ozolins et al.
D497,364 S 10/2004 Ozolins et al.
D499,097 S 11/2004 Tsuji et al.
D500,037 S 12/2004 Ozolins et al.
6,837,469 B2 1/2005 Wu et al.
D504,876 S 5/2005 Zheng
D504,889 S 5/2005 Andre et al.
D510,730 S 10/2005 Asanuma et al.
D516,557 S 3/2006 Noda et al.
7,014,154 B2 3/2006 Jeong et al.
D520,006 S 5/2006 Chen et al.
D525,035 S 7/2006 McCay
D530,329 S 10/2006 Chen et al.
D532,011 S 11/2006 Andre et al.
D541,234 S 4/2007 Iijima et al.
D541,278 S 4/2007 Hsu et al.
D541,799 S 5/2007 Andre et al.

D543,517 S 5/2007 Chikuma et al.
D545,820 S 7/2007 Won et al.
D549,673 S 8/2007 Niitsu
D556,755 S 12/2007 Lee et al.
D562,274 S 2/2008 Wang
D565,518 S 4/2008 Tu
D566,066 S 4/2008 Wang
D567,196 S 4/2008 Shih
D570,841 S 6/2008 Kim et al.
D621,841 S 8/2010 Andre et al.
D630,210 S 1/2011 Andre et al.
D638,013 S 5/2011 Andre et al.
D651,602 S * 1/2012 Andre et al. D14/374
2003/0058372 A1 3/2003 Williams et al.
2006/0237599 A1 10/2006 Ternus et al.

OTHER PUBLICATIONS

U.S. Appl. No. 29/365,139 entitled "Computer," filed Jul. 2, 2010.
U.S. Appl. No. 29/366,477 entitled "Electronic Device," filed Jul. 26, 2010.
U.S. Appl. No. 29/390,850 entitled "Electronic Device," filed Apr. 29, 2011.
U.S. Appl. No. 29/391,177 entitled "Computer," filed May 4, 2011.
U.S. Appl. No. 29/396,407 entitled "Electronic Device," filed Jun. 29, 2011.
Office action dated Jul. 13, 2011 in U.S. Appl. No. 29/390,850.
Office action dated Aug. 12, 2011 in U.S. Appl. No. 29/391,177.

* cited by examiner

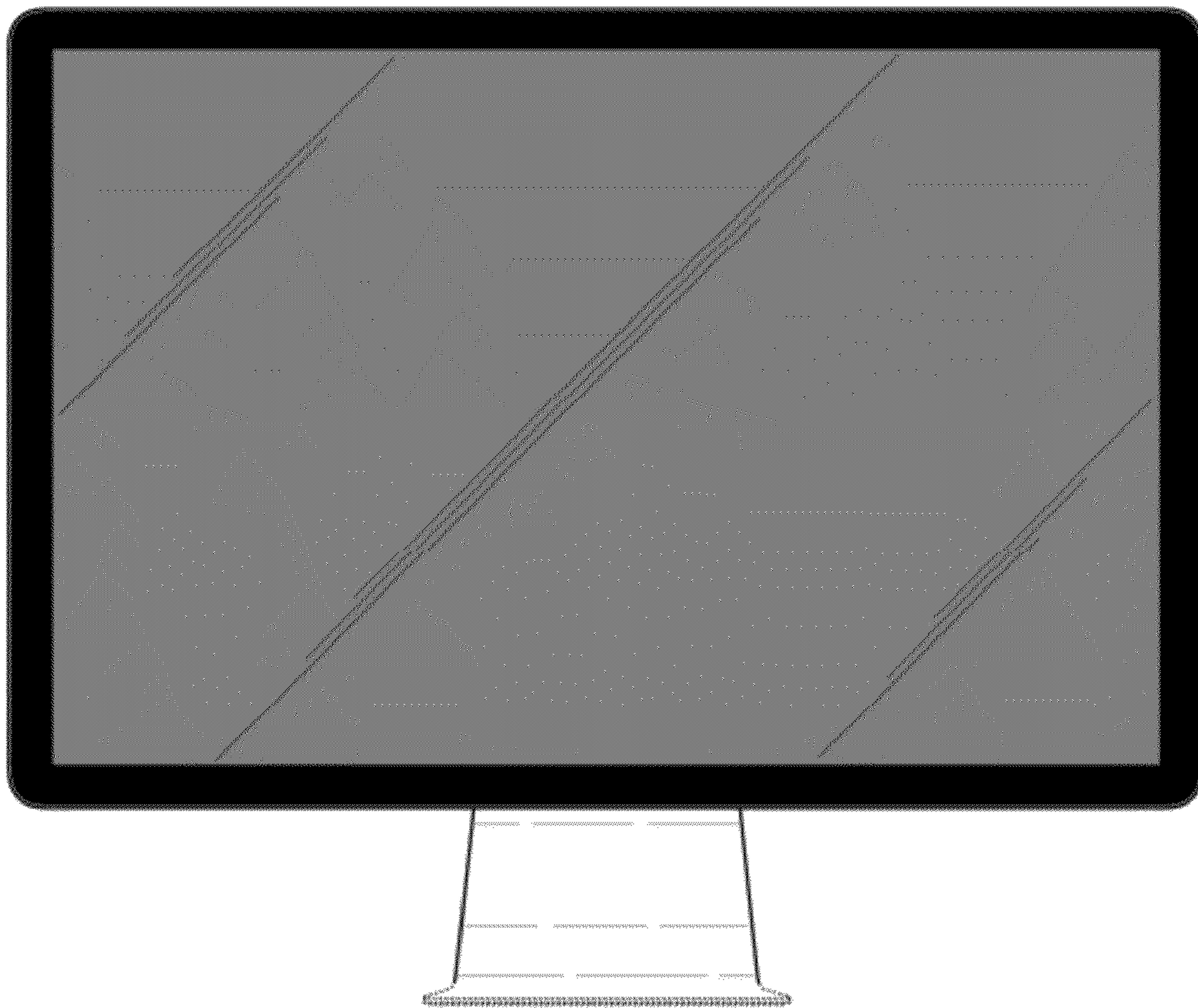


Fig. 1

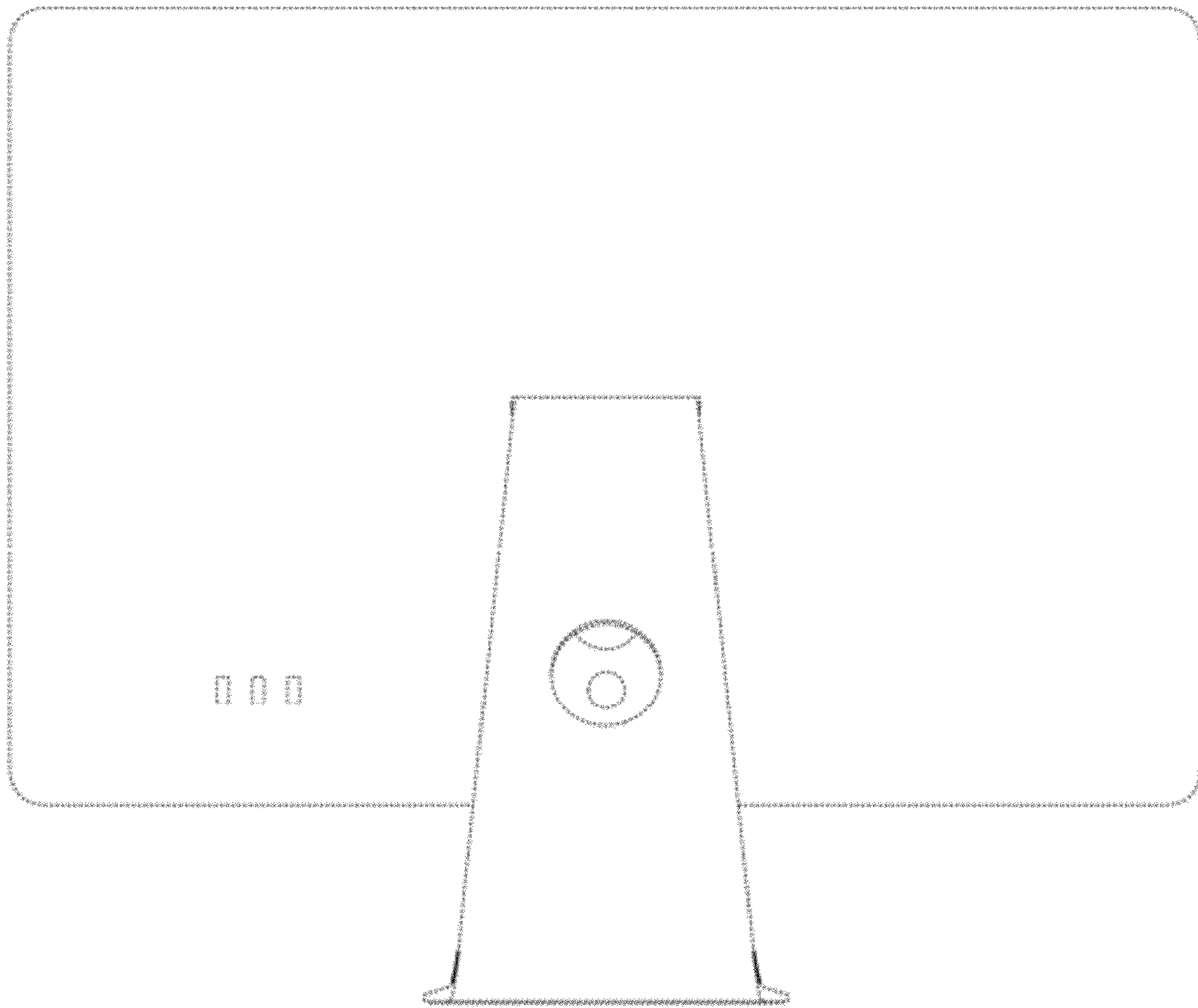


Fig. 2

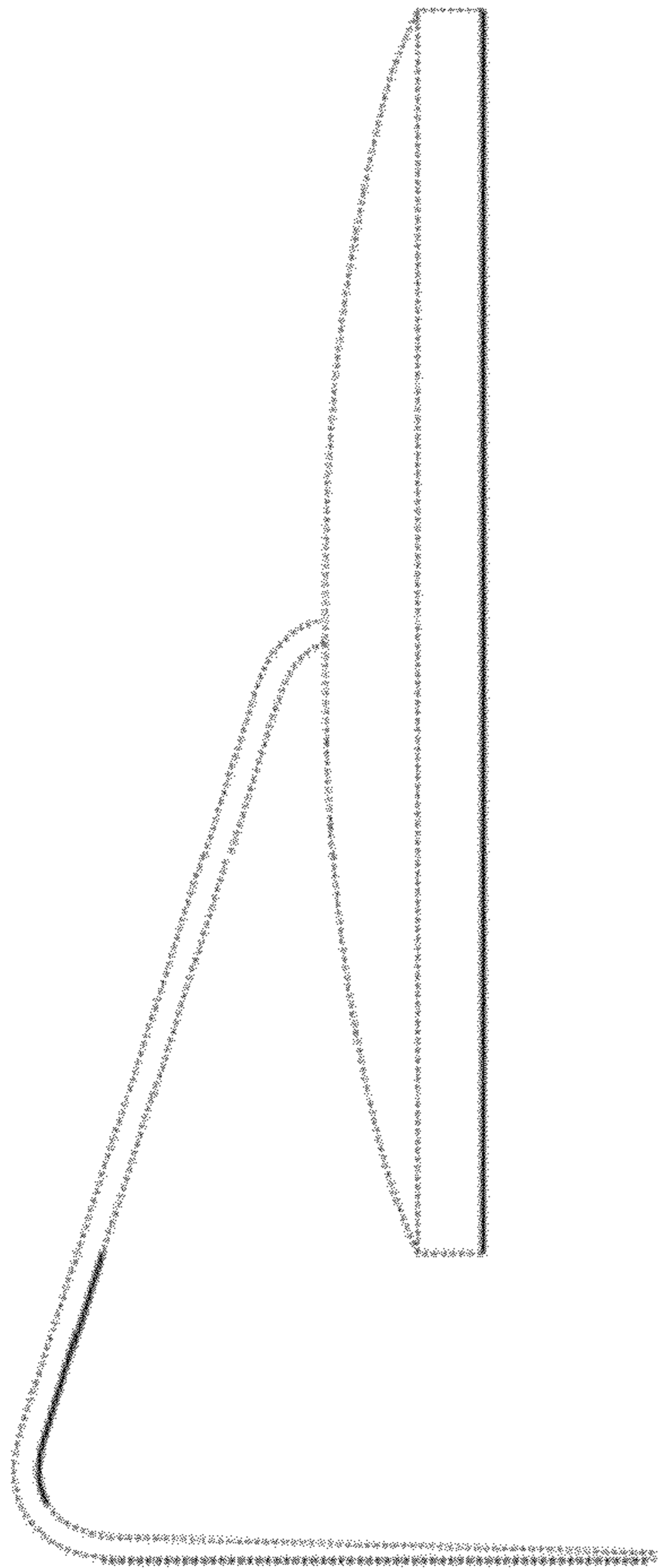


Fig. 3

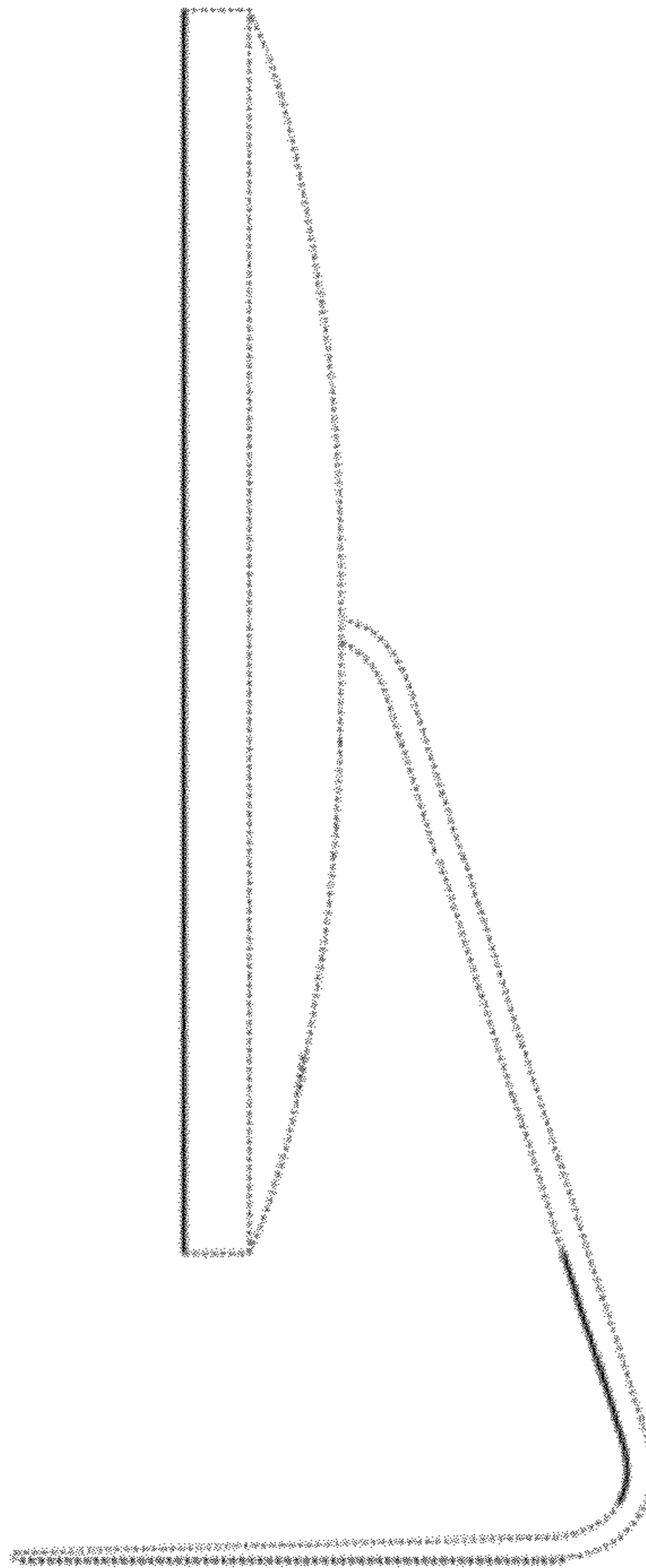


Fig. 4

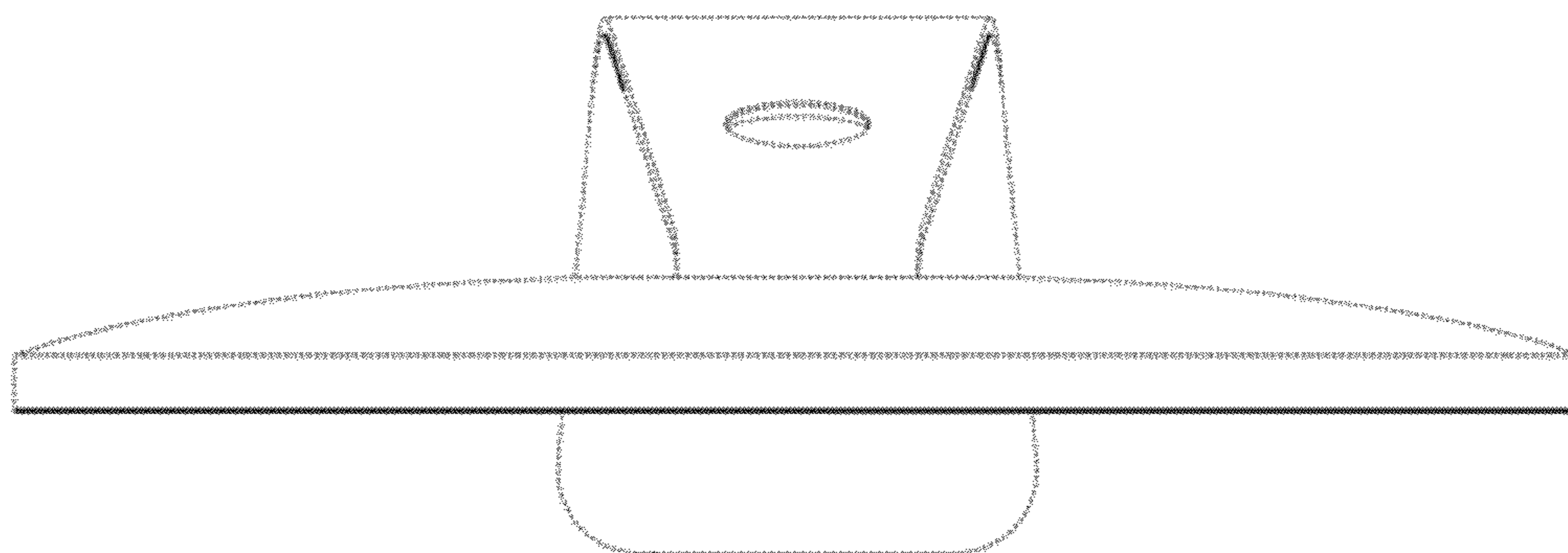


Fig. 5

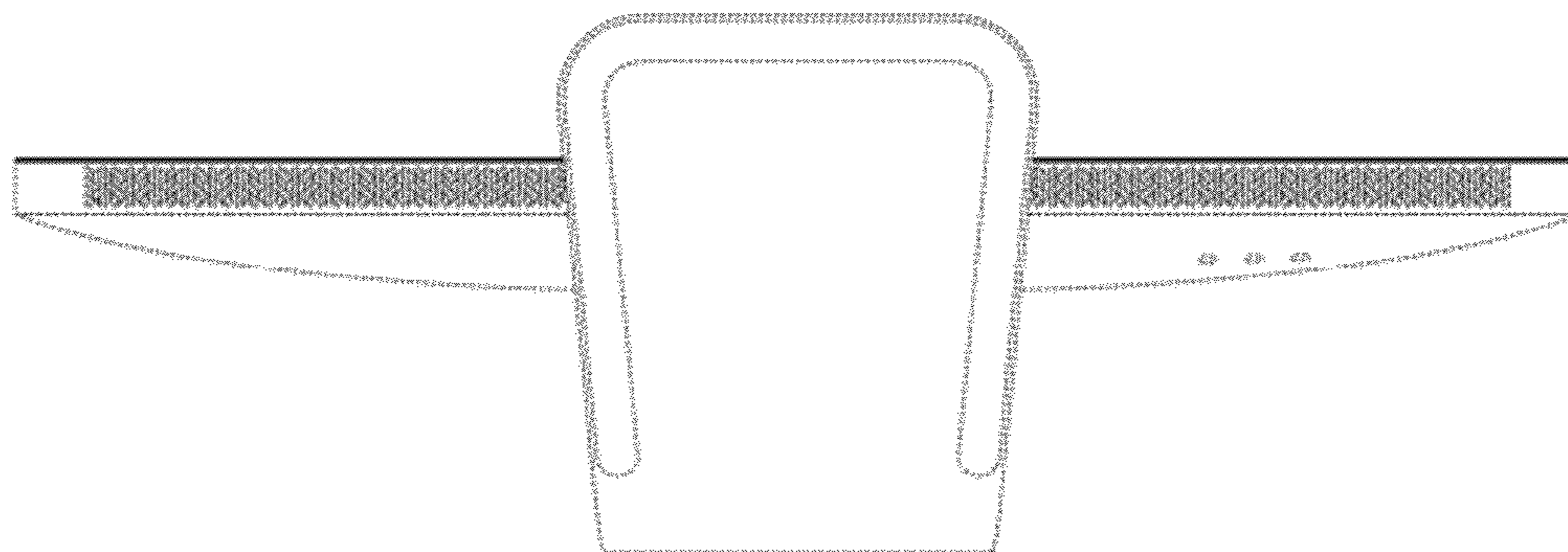


Fig. 6