



US00D661304S

(12) **United States Design Patent**  
**Chiu**

(10) **Patent No.:** **US D661,304 S**  
(45) **Date of Patent:** **\*\* Jun. 5, 2012**

(54) **DISPLAY**

(75) Inventor: **Yi-Chung Chiu**, Taoyuan County (TW)

(73) Assignee: **Hannspree, Inc.**, New Taipei (TW)

(\*\*) Term: **14 Years**

(21) Appl. No.: **29/397,700**

(22) Filed: **Jul. 20, 2011**

(51) **LOC (9) Cl.** ..... **14-02**

(52) **U.S. Cl.** ..... **D14/371**

(58) **Field of Classification Search** ..... D14/371-376,  
D14/125-129; 345/104, 156, 168, 173, 87,  
345/1.1, 901-905; 341/12; 348/180, 184,  
348/325, 739; 349/1, 2, 11, 58; 248/917-924,  
248/278.1; 361/679.23, 679.08; D6/300,  
D6/303

See application file for complete search history.

(56) **References Cited**

U.S. PATENT DOCUMENTS

D485,558 S *	1/2004	Huang	.....	D14/371
D497,909 S *	11/2004	Lin	.....	D14/371
D538,801 S *	3/2007	Taylor	.....	D14/341
D561,713 S *	2/2008	Chu	.....	D14/126
D630,633 S *	1/2011	Chiu	.....	D14/371

\* cited by examiner

*Primary Examiner* — Freda S Nunn

(74) *Attorney, Agent, or Firm* — Ming Chow; Sinorica, LLC

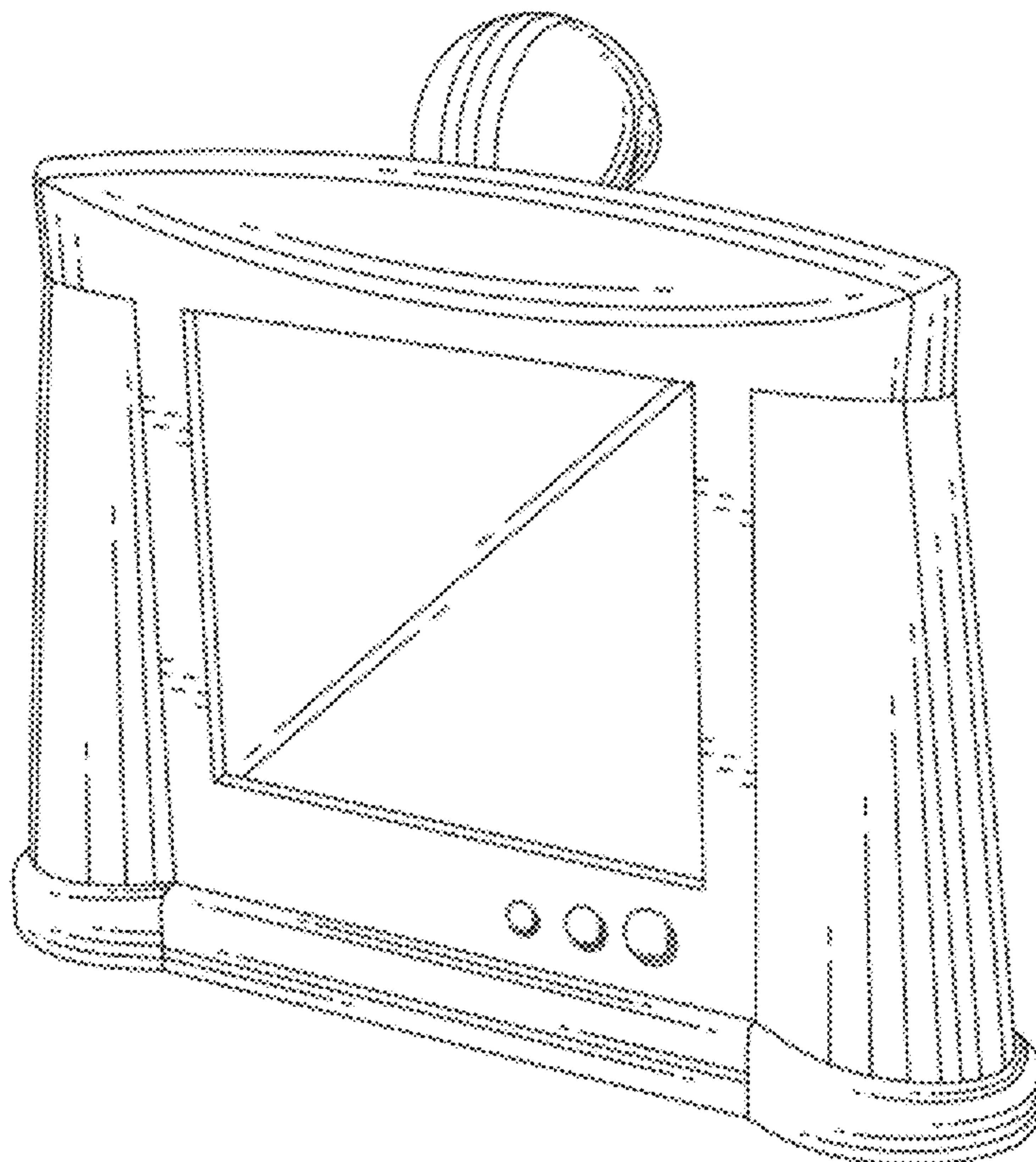
(57) **CLAIM**

The ornamental design for a display, as shown and described.

**DESCRIPTION**

FIG. 1. is a perspective view of a display showing my new design;  
FIG. 2. is a front elevational view thereof;  
FIG. 3. is a rear elevational view thereof;  
FIG. 4. is a left side elevational view thereof;  
FIG. 5. is a right side elevational view thereof;  
FIG. 6. is a top plan view thereof;  
FIG. 7. is a bottom plan view thereof; and,  
FIG. 8 is an alternative rear perspective view thereof.

**1 Claim, 8 Drawing Sheets**



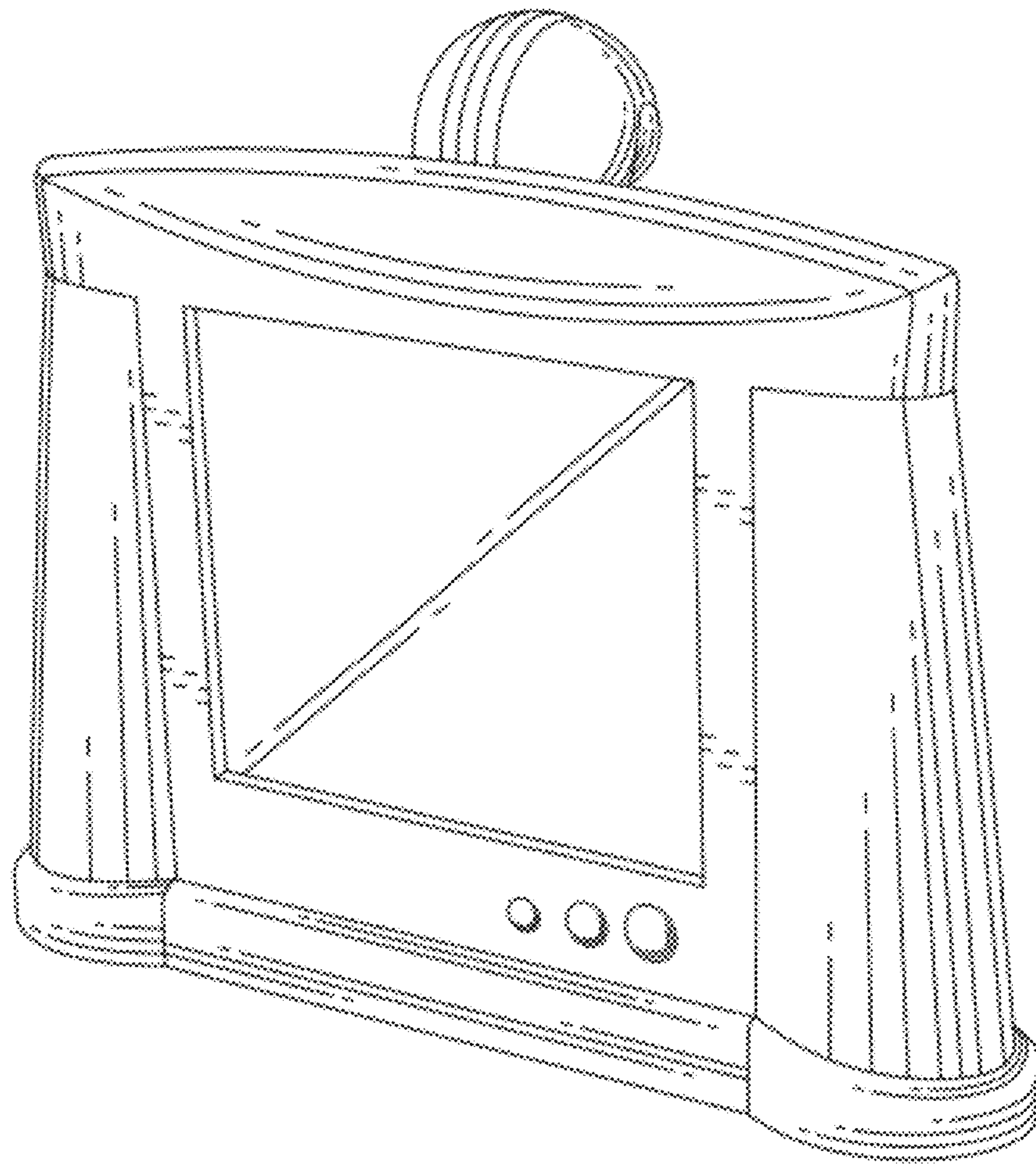


FIG. 1

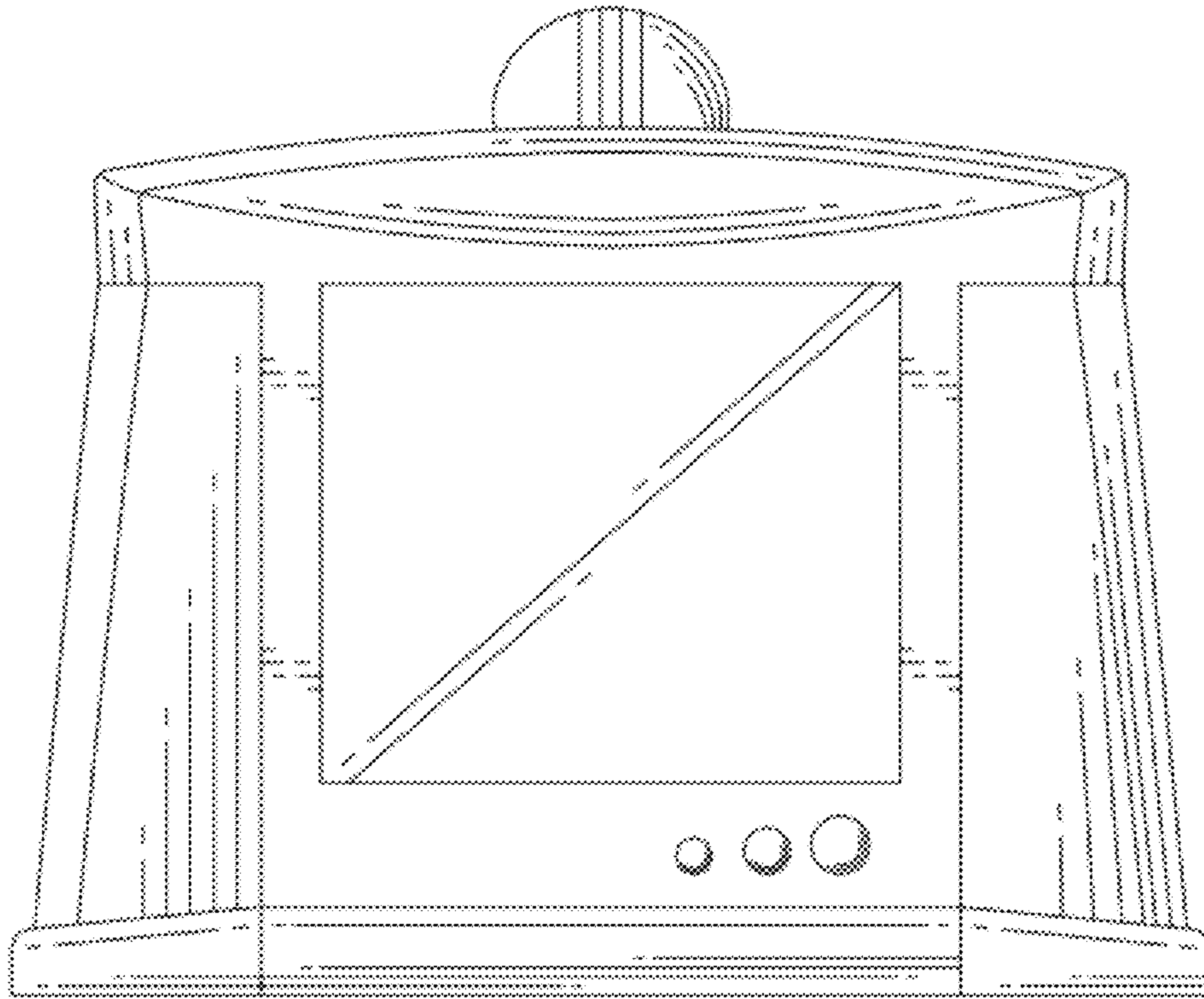


FIG. 2

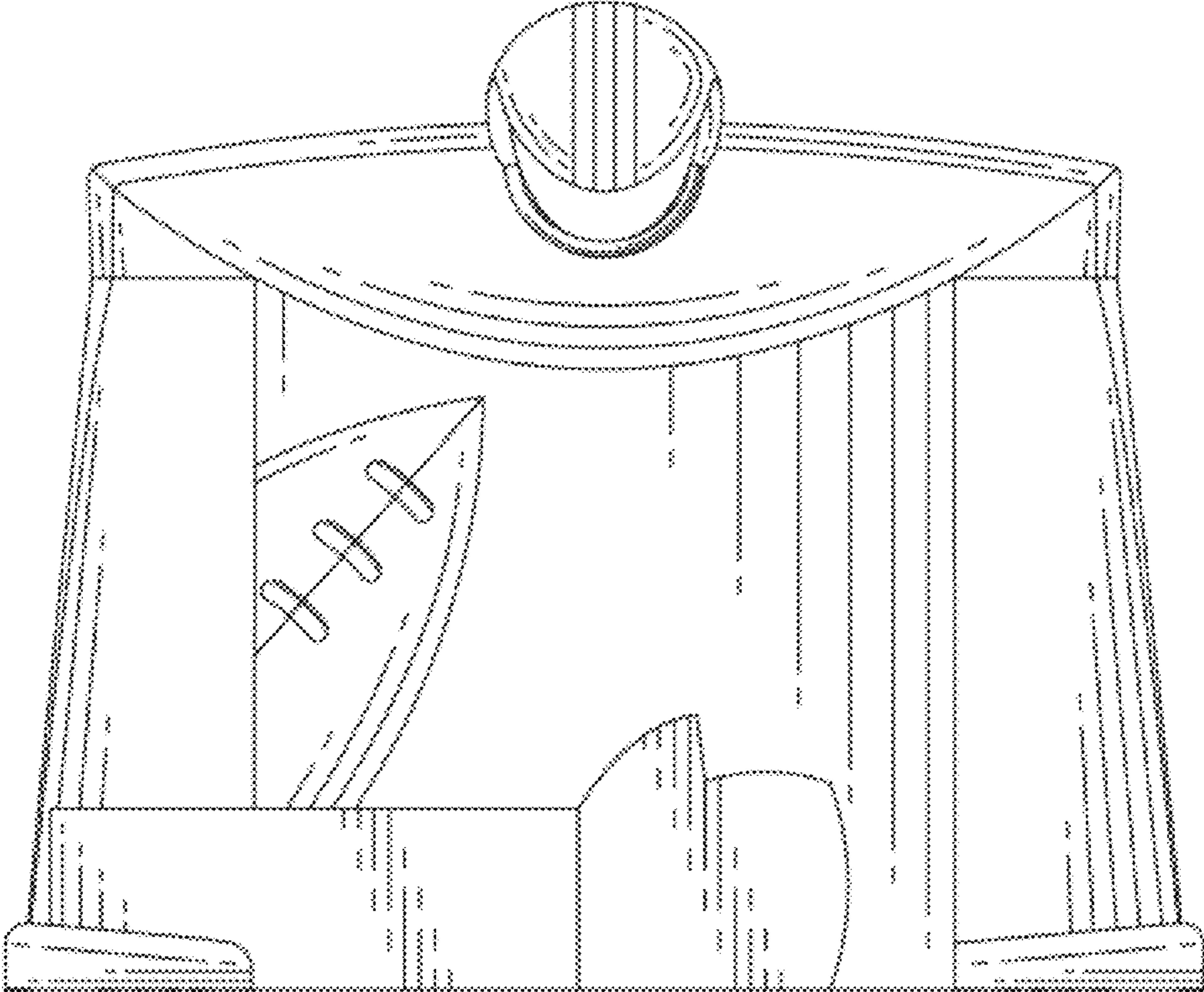


FIG. 3



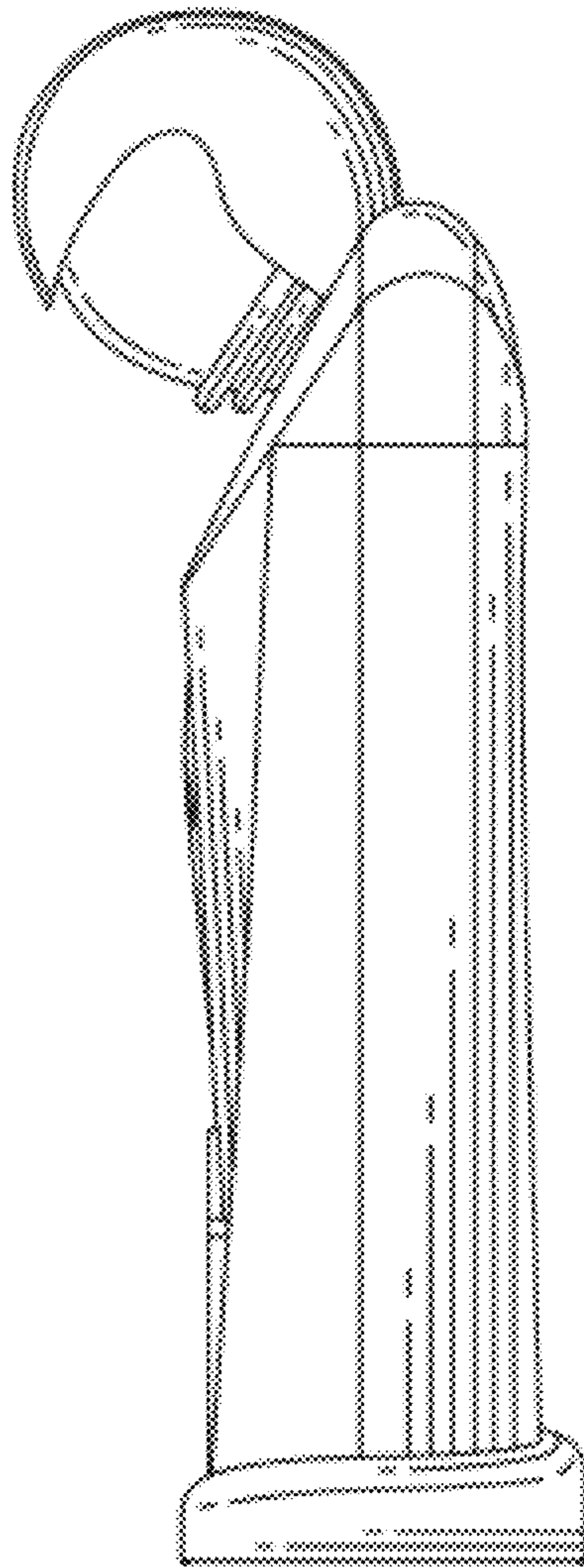


FIG. 4

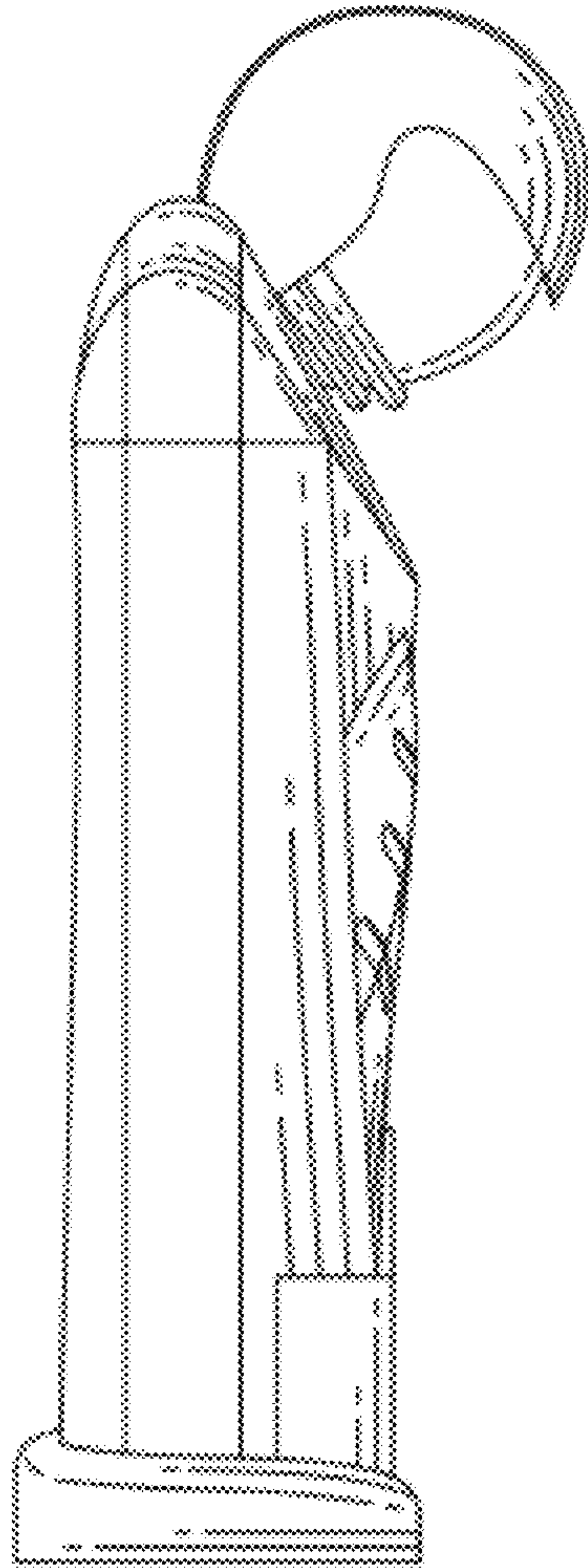


FIG. 5

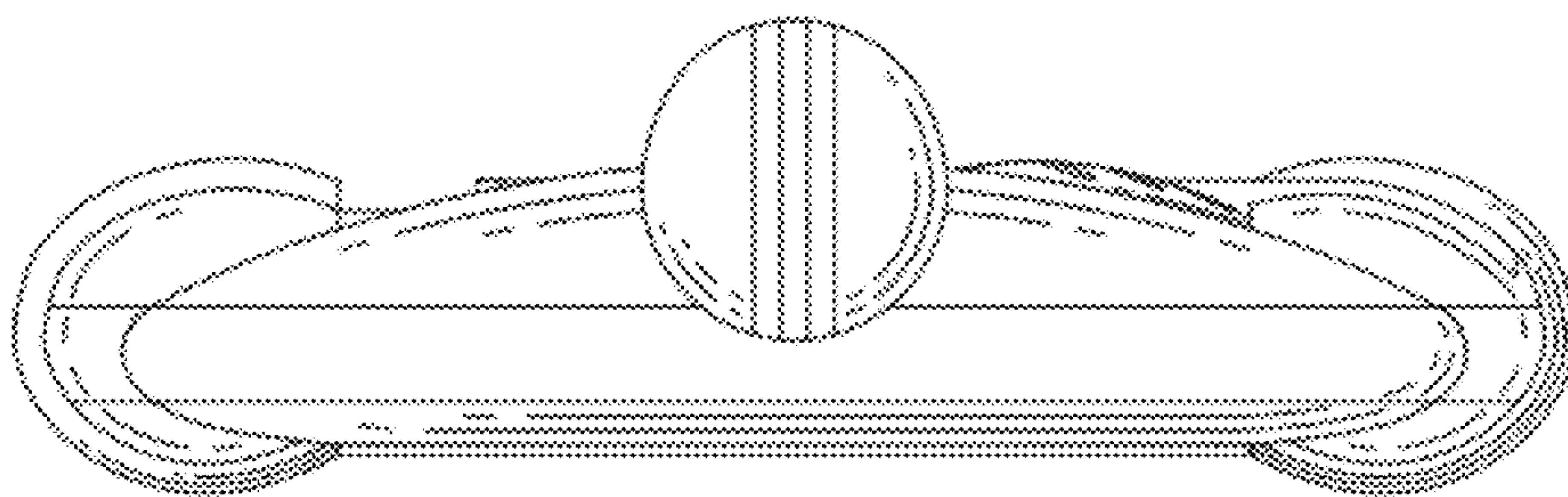


FIG. 6

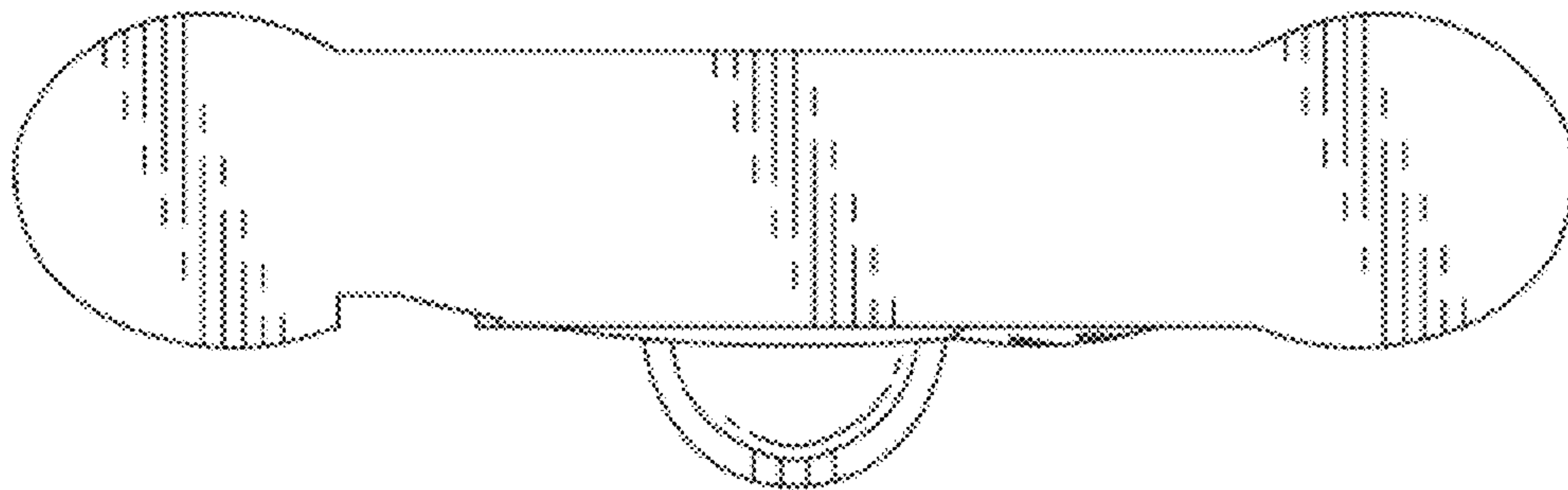


FIG. 7



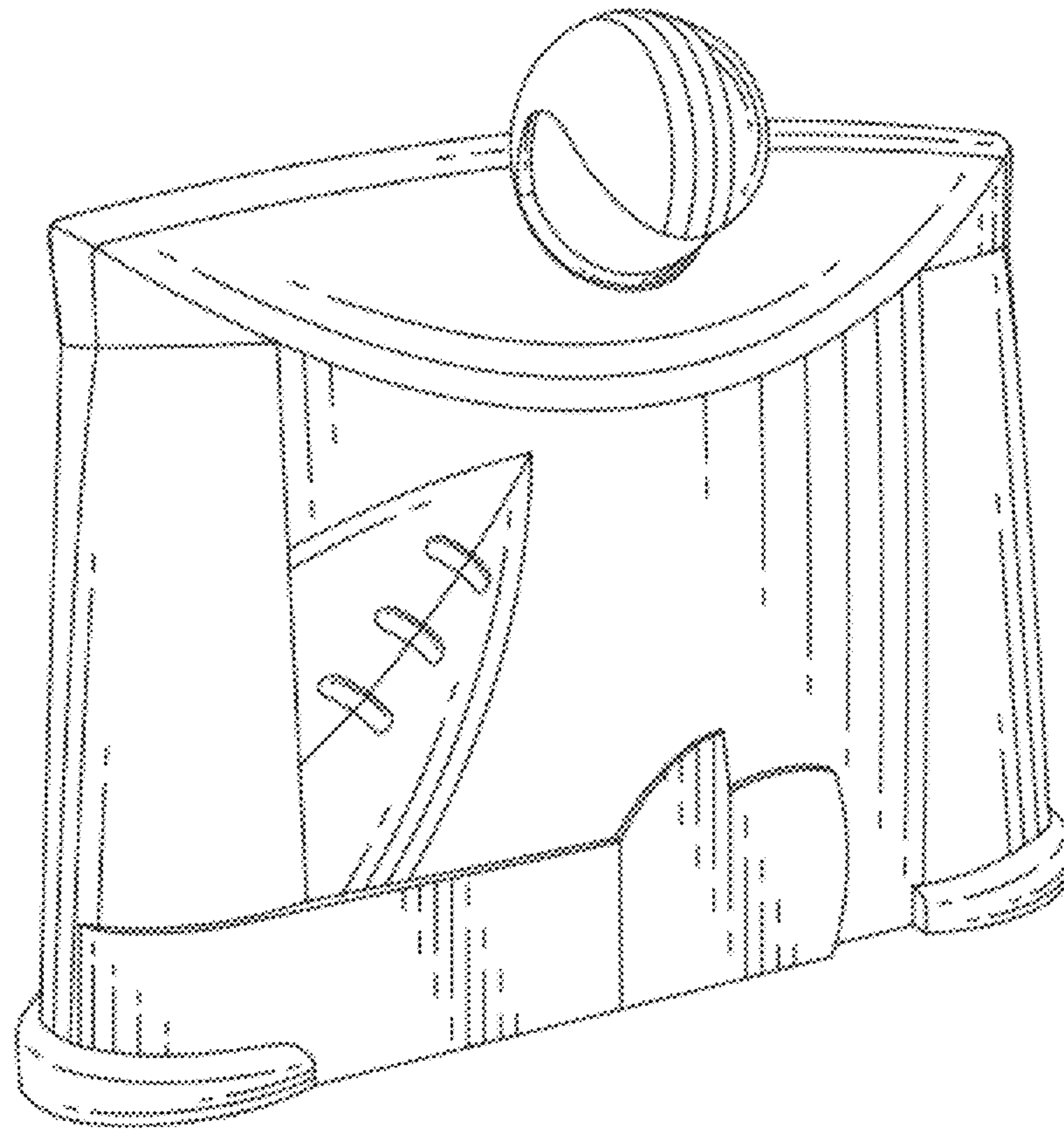


FIG. 8