



US00D661303S

(12) **United States Design Patent**  
**Fukusawa**

(10) **Patent No.:** **US D661,303 S**  
(45) **Date of Patent:** **\*\* Jun. 5, 2012**

(54) **MONITOR-ATTACHED COMPUTER**

(75) Inventor: **Naoto Fukusawa**, Tokyo (JP)

(73) Assignee: **Samsung Electronics Co., Ltd.**, Suwon (KR)

(\*\*) Term: **14 Years**

(21) Appl. No.: **29/397,070**

(22) Filed: **Jul. 11, 2011**

(30) **Foreign Application Priority Data**

Apr. 18, 2011 (KR) ..... 30-2011-0015666

(51) **LOC (9) Cl.** ..... **14-02**

(52) **U.S. Cl.** ..... **D14/371**

(58) **Field of Classification Search** ..... D14/371-376,  
D14/125-129, 336, 337, 306; D6/308, 311;  
345/104, 156, 173, 174, 901-905; 348/180,  
348/184, 325, 739; 361/679.08, 679.23;  
349/1, 2, 11, 58; 248/917-924, 371; 341/12  
See application file for complete search history.

(56) **References Cited**

**U.S. PATENT DOCUMENTS**

D339,379 S \* 9/1993 Persing ..... D19/52  
5,658,635 A \* 8/1997 Davis et al. .... 428/81  
D424,538 S \* 5/2000 Hayashi et al. .... D14/374  
D463,493 S \* 9/2002 Beno ..... D19/52  
D533,598 S \* 12/2006 Sandmeyer et al. .... D20/10

D575,248 S \* 8/2008 Fujii et al. .... D14/126  
D594,062 S \* 6/2009 Loerakker ..... D19/52  
D637,651 S \* 5/2011 Hase et al. .... D20/42

**FOREIGN PATENT DOCUMENTS**

KR 3001890590000 11/1996  
KR 3001890600000 11/1996  
KR 3001954000000 3/1997  
KR 3003049270000 8/2002  
KR 3006046450000 7/2011  
KR 3006046460000 7/2011

\* cited by examiner

*Primary Examiner* — Freda S Nunn

(74) *Attorney, Agent, or Firm* — Wood, Herron & Evans, LLP

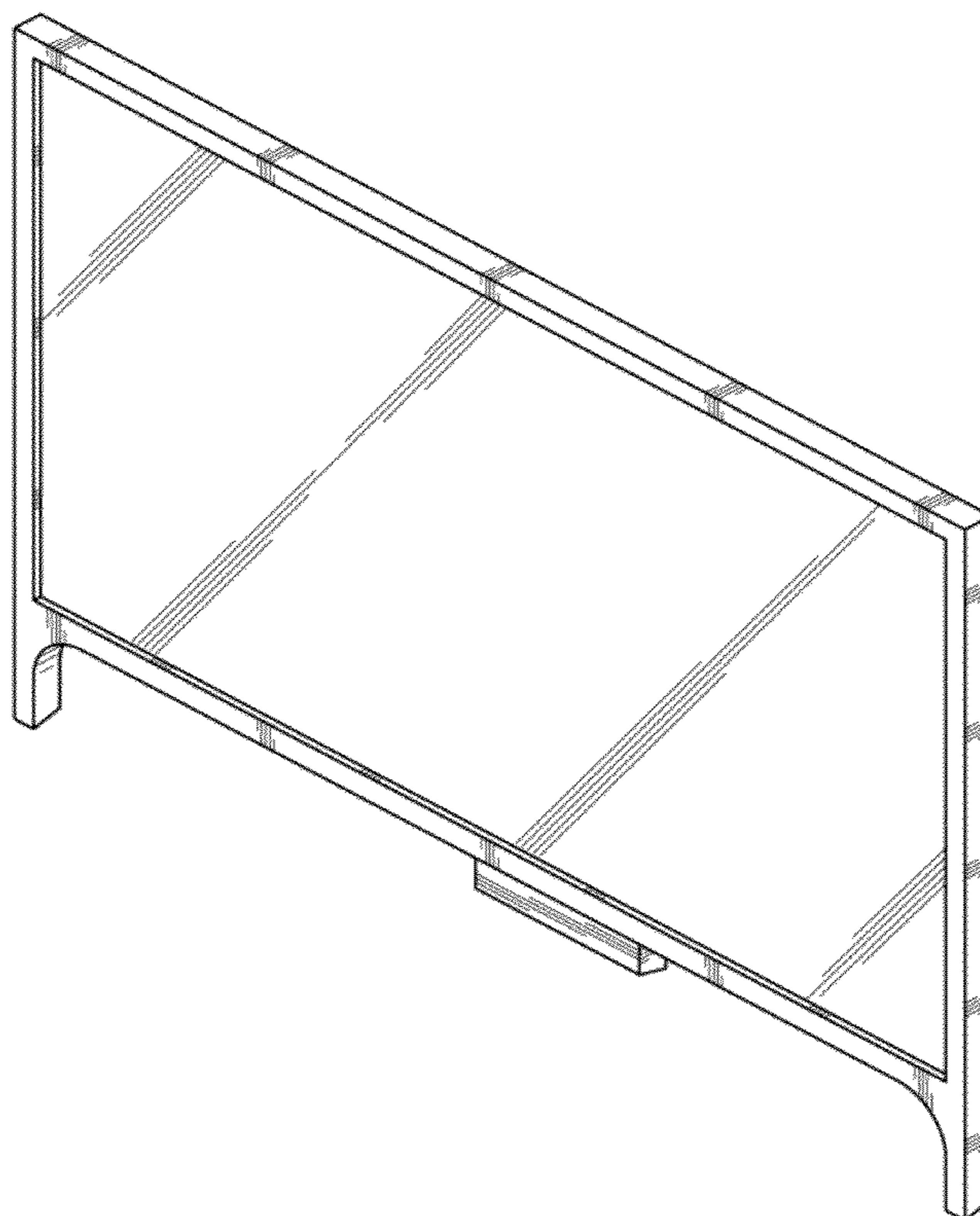
(57) **CLAIM**

The ornamental design for monitor-attached computer, as shown and described.

**DESCRIPTION**

FIG. 1 is a top front perspective view of a monitor-attached computer showing my new design;  
FIG. 2 is a front elevational view thereof;  
FIG. 3 is a rear elevational view thereof;  
FIG. 4 is a left side elevational view thereof;  
FIG. 5 is a right side elevational view thereof;  
FIG. 6 is a top plan view thereof; and,  
FIG. 7 is a bottom plan view thereof.

**1 Claim, 3 Drawing Sheets**



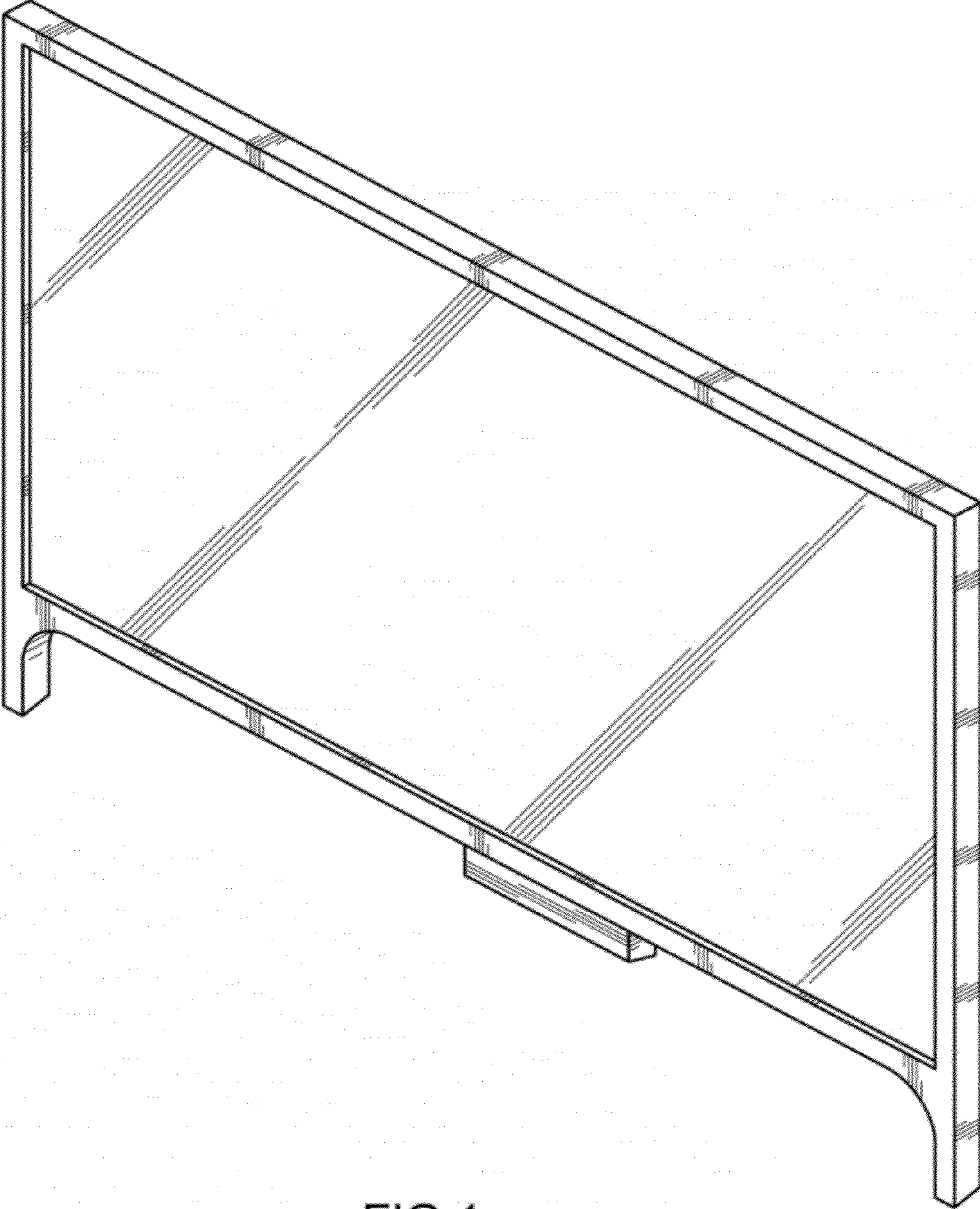


FIG.1

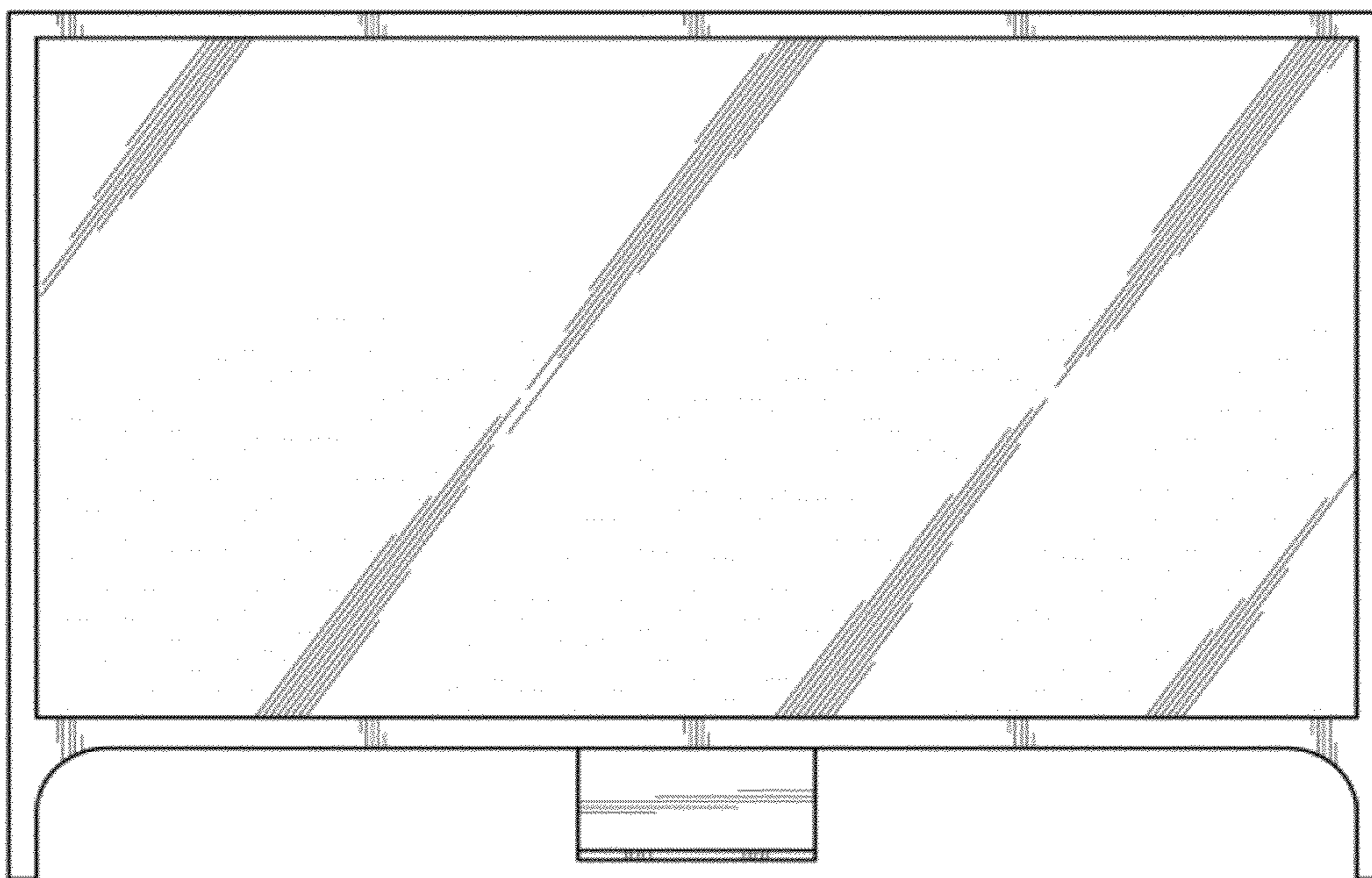


FIG. 2

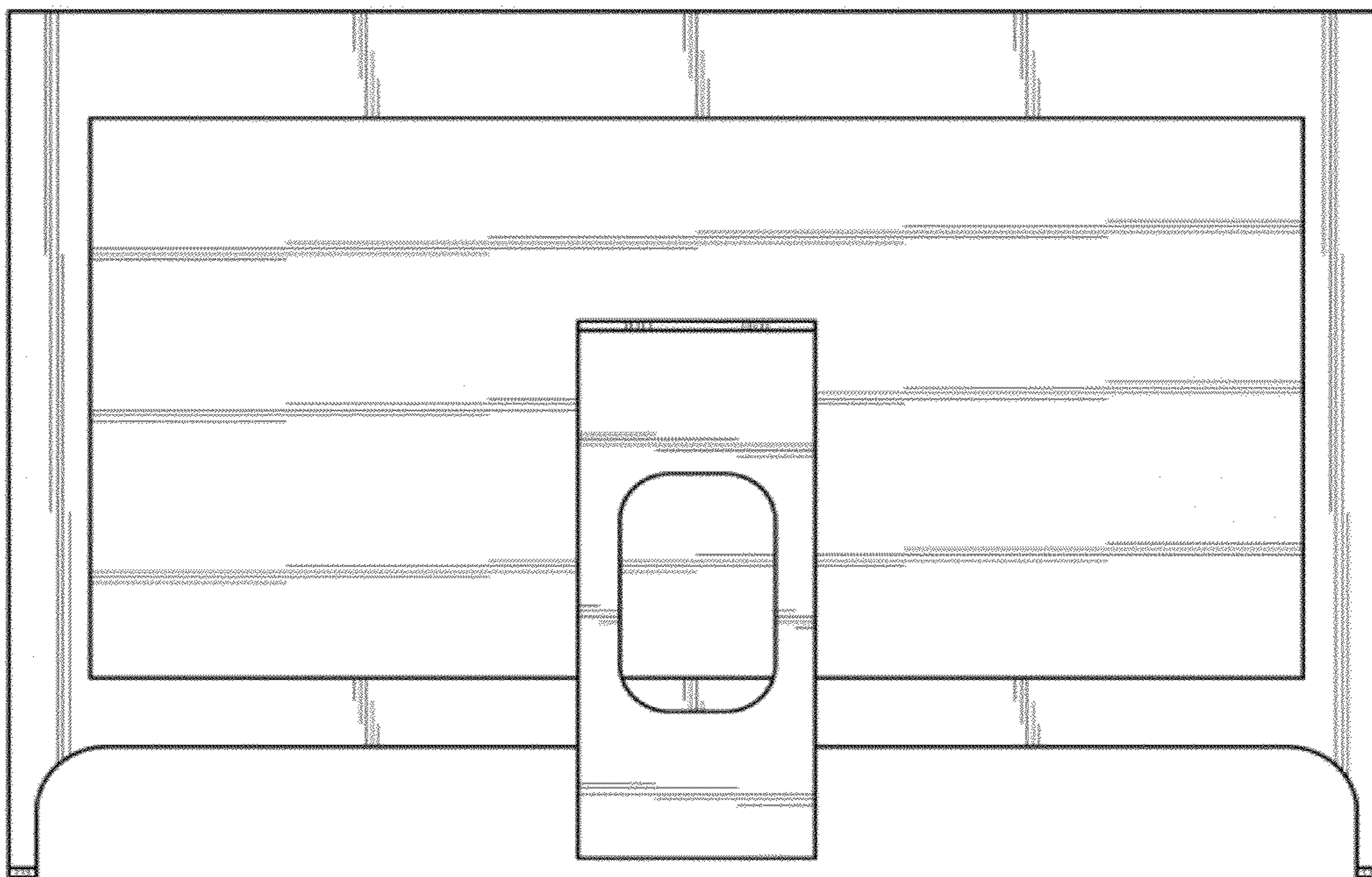


FIG. 3

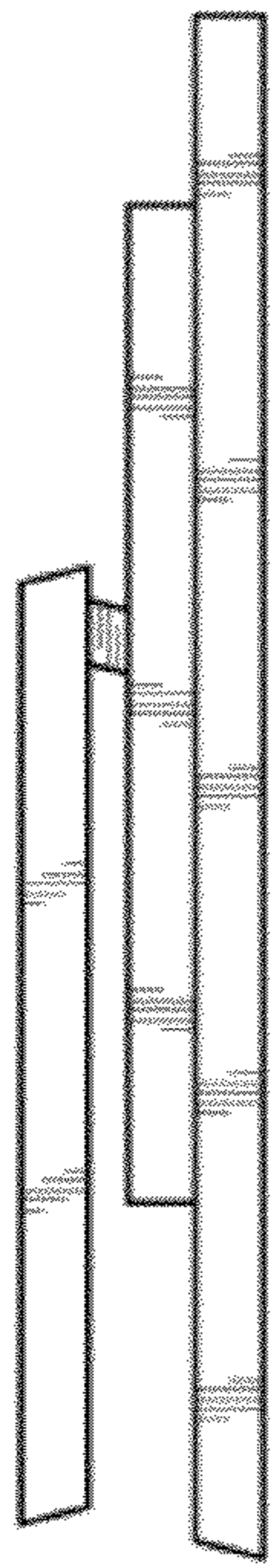


FIG. 4

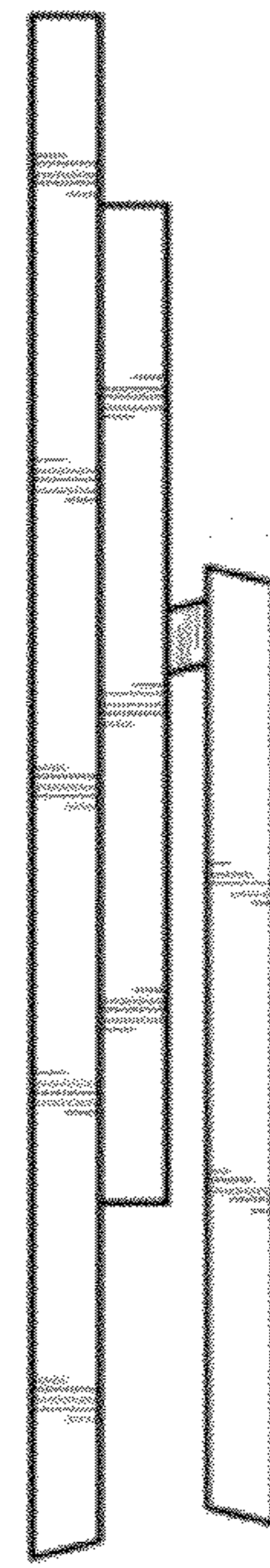


FIG. 5

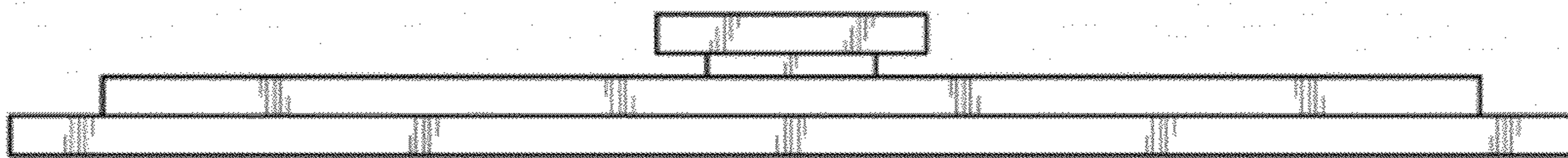


FIG. 6

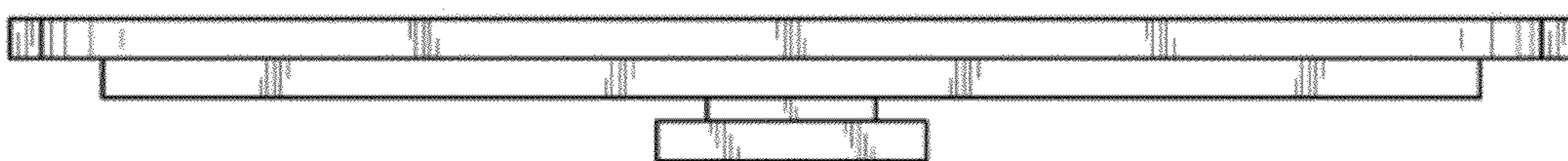


FIG. 7