

US00D661297S

(12) **United States Design Patent**  
**Tanaka**

(10) **Patent No.:** **US D661,297 S**  
(45) **Date of Patent:** **\*\* Jun. 5, 2012**

(54) **COMPUTER**

(75) Inventor: **Soichi Tanaka**, Tokyo (JP)  
(73) Assignee: **Sony Corporation**, Tokyo (JP)  
(\*\*) Term: **14 Years**  
(21) Appl. No.: **29/371,045**

(22) Filed: **Sep. 30, 2010**

(30) **Foreign Application Priority Data**

Apr. 1, 2010 (JP) ..... D2010-008374  
Apr. 28, 2010 (JP) ..... D2010-010648  
Apr. 28, 2010 (JP) ..... D2010-010649

(51) **LOC (9) Cl.** ..... **14-02**

(52) **U.S. Cl.** ..... **D14/318**

(58) **Field of Classification Search** ..... D14/315-328;  
D18/1, 2, 7, 11; 235/145 A, 145 R; 341/22,  
341/23; 345/104, 156, 168, 169, 173, 87,  
345/901-905; 361/679.08-679.18, 679.27;  
400/486, 489

See application file for complete search history.

(56) **References Cited**

**U.S. PATENT DOCUMENTS**

6,067,224 A \* 5/2000 Nobuchi ..... 361/679.27  
(Continued)

**FOREIGN PATENT DOCUMENTS**

JP D1094521 S 12/2000  
(Continued)

*Primary Examiner* — Freda S Nunn

(74) *Attorney, Agent, or Firm* — Rader, Fishman & Grauer  
PLLC

(57) **CLAIM**

The ornamental design for a computer, as shown and described.

**DESCRIPTION**

FIG. 1 is a front, top, right perspective view of a first embodiment of a computer showing my new design;

FIG. 2 is a rear, bottom, left perspective view thereof;

FIG. 3 is a front elevational view thereof;

FIG. 4 is a rear elevational view thereof;

FIG. 5 is a left side elevational view thereof;

FIG. 6 is a top plan view thereof;

FIG. 7 is a front, top, right perspective view of the computer of FIG. 1, wherein the screen portion is in a closed position;

FIG. 8 is a rear, bottom, left perspective view thereof;

FIG. 9 is a front elevational view thereof;

FIG. 10 is a left side elevational view thereof; and

FIG. 11 is a top plan view thereof.

FIG. 12 is a front, top, right perspective view of a second embodiment of a computer showing my new design;

FIG. 13 is a rear, bottom, left perspective view thereof;

FIG. 14 is a front elevational view thereof;

FIG. 15 is a rear elevational view thereof;

FIG. 16 is a left side elevational view thereof;

FIG. 17 is a top plan view thereof;

FIG. 18 is a front, top, right perspective view of the computer of FIG. 12, wherein the screen portion is in a closed position;

FIG. 19 is a rear, bottom, left perspective view thereof;

FIG. 20 is a front elevational view thereof;

FIG. 21 is a left side elevational view thereof; and

FIG. 22 is a top plan view thereof.

FIG. 23 is a front, top, right perspective view of a third embodiment of a computer showing my new design;

FIG. 24 is a rear, bottom, left perspective view thereof;

FIG. 25 is a front elevational view thereof;

FIG. 26 is a rear elevational view thereof;

FIG. 27 is a left side elevational view thereof;

FIG. 28 is a top plan view thereof;

FIG. 29 is a front, top, right perspective view of the computer of FIG. 23, wherein the screen portion is in a closed position;

FIG. 30 is a rear, bottom, left perspective view thereof;

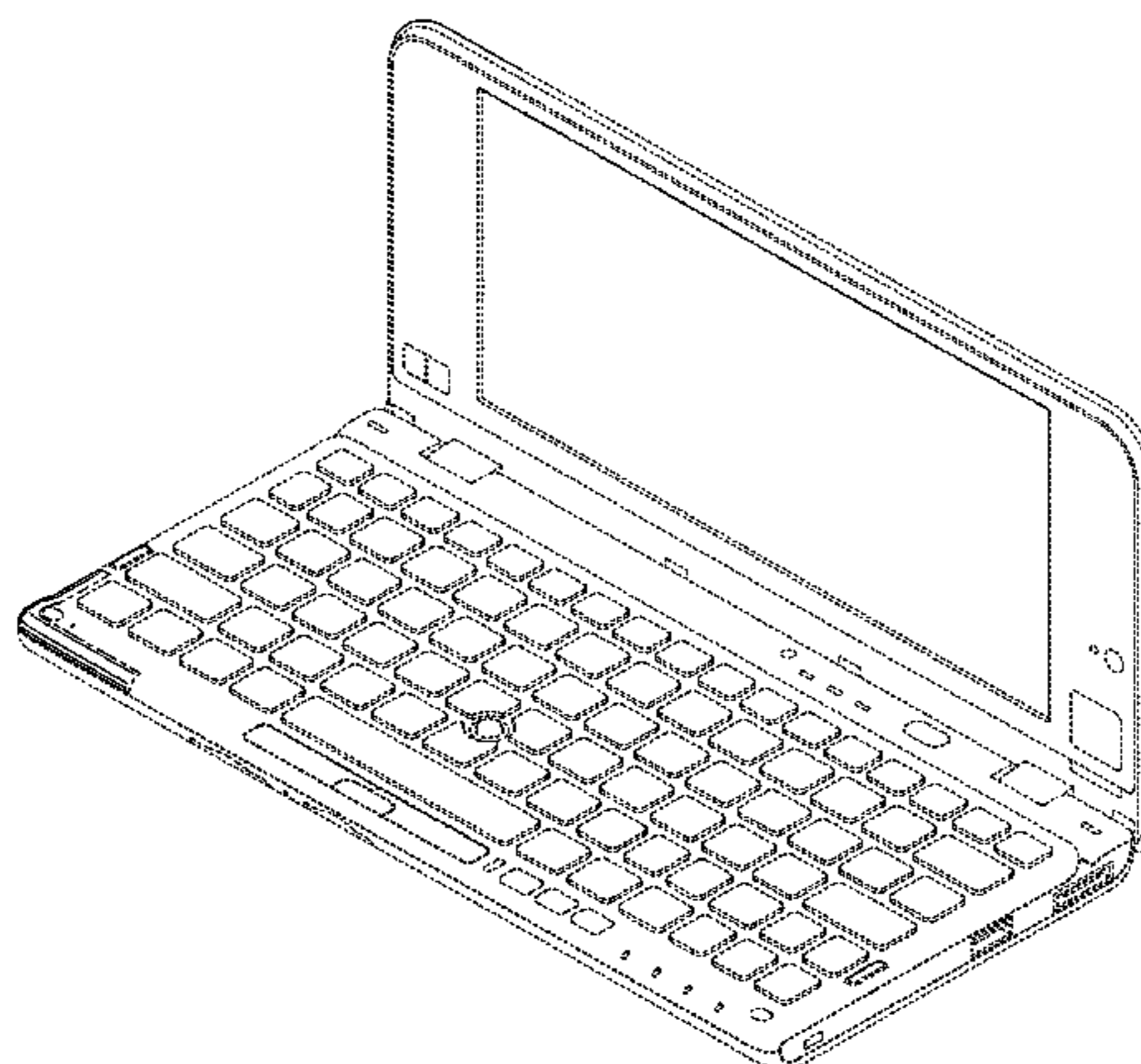
FIG. 31 is a front elevational view thereof;

FIG. 32 is a left side elevational view thereof; and,

FIG. 33 is a top plan view thereof.

Portions in broken lines are for illustrative purposes only and form no part of the claimed design. Dot-dash lines define the boundaries of, but not included in, the claimed design.

**1 Claim, 33 Drawing Sheets**



# US D661,297 S

Page 2

## U.S. PATENT DOCUMENTS

D447,740 S \* 9/2001 Johansson ..... D14/138 AA  
D452,861 S 1/2002 Ogasawara  
D466,499 S 12/2002 Nakano  
6,519,139 B2 \* 2/2003 Kambayashi ..... 361/679.09  
D493,456 S 7/2004 Ogasawara  
D501,660 S 2/2005 Kumano  
D510,737 S 10/2005 Yokota  
D517,063 S \* 3/2006 Nakajima et al. .... D14/318  
D559,245 S \* 1/2008 Iseki ..... D14/318  
D559,247 S 1/2008 Kawase  
D574,382 S \* 8/2008 Tsukahara ..... D14/432

D577,013 S \* 9/2008 Harris et al. .... D14/317  
D578,125 S \* 10/2008 Iseki ..... D14/432  
D581,410 S \* 11/2008 Kumano ..... D14/318  
D585,900 S 2/2009 Kumano  
D620,002 S \* 7/2010 Tsai et al. .... D14/315  
2005/0018396 A1 \* 1/2005 Nakajima et al. .... 361/683  
2005/0041378 A1 \* 2/2005 Hamada et al. .... 361/680

## FOREIGN PATENT DOCUMENTS

JP D1129718 S 12/2001  
JP D1368179 S 8/2009

\* cited by examiner

FIG.1

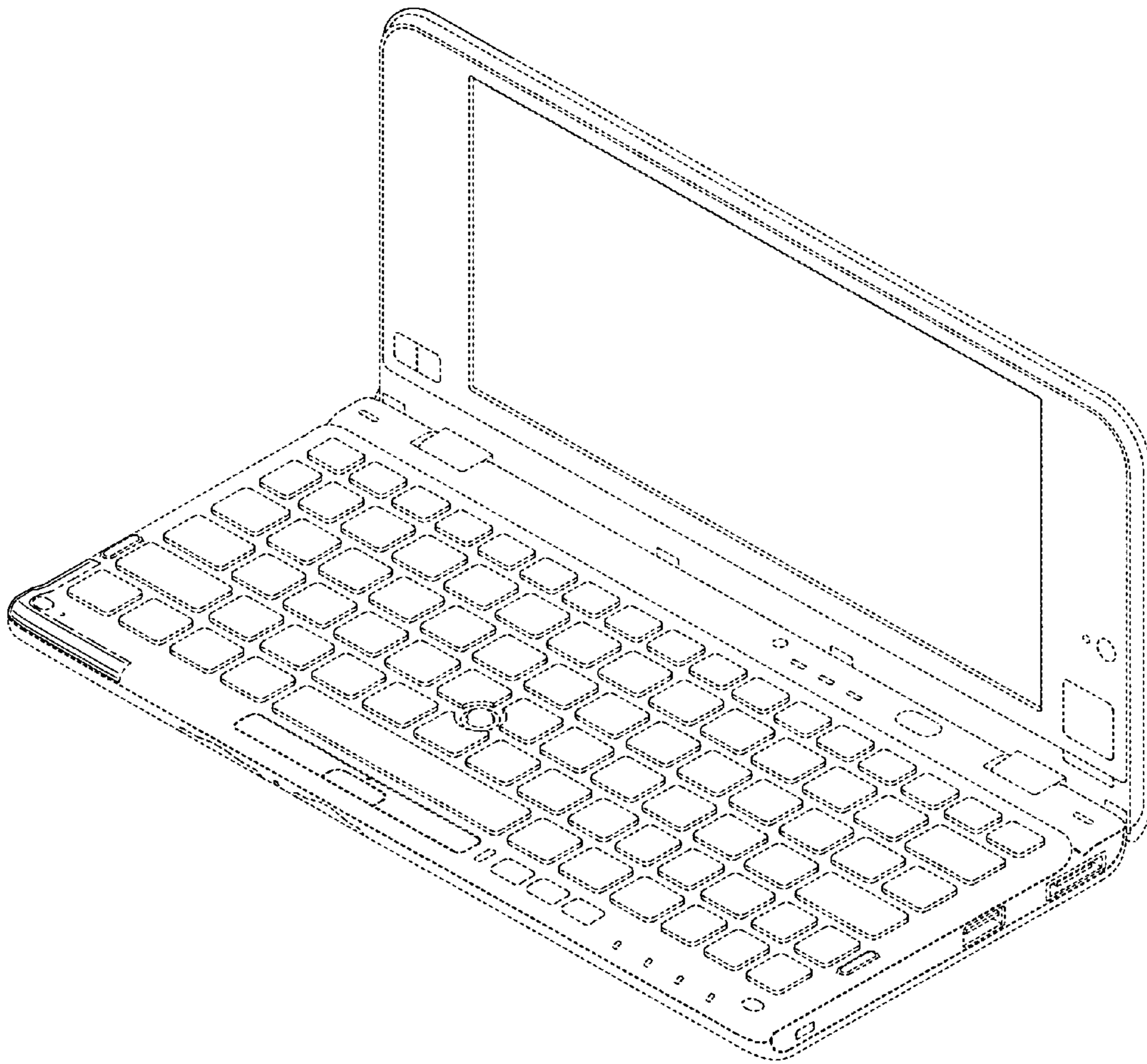


FIG.2

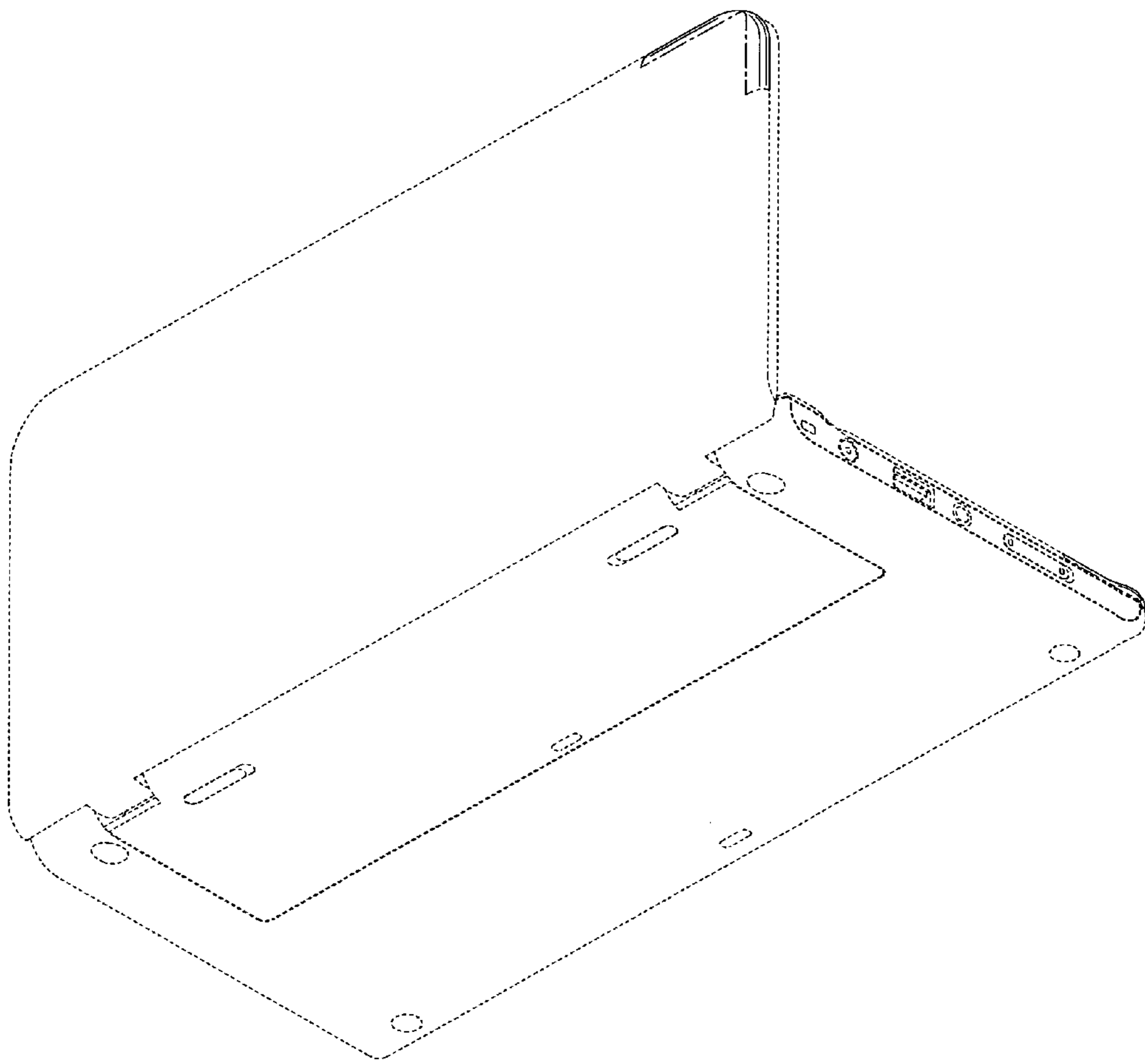


FIG.3

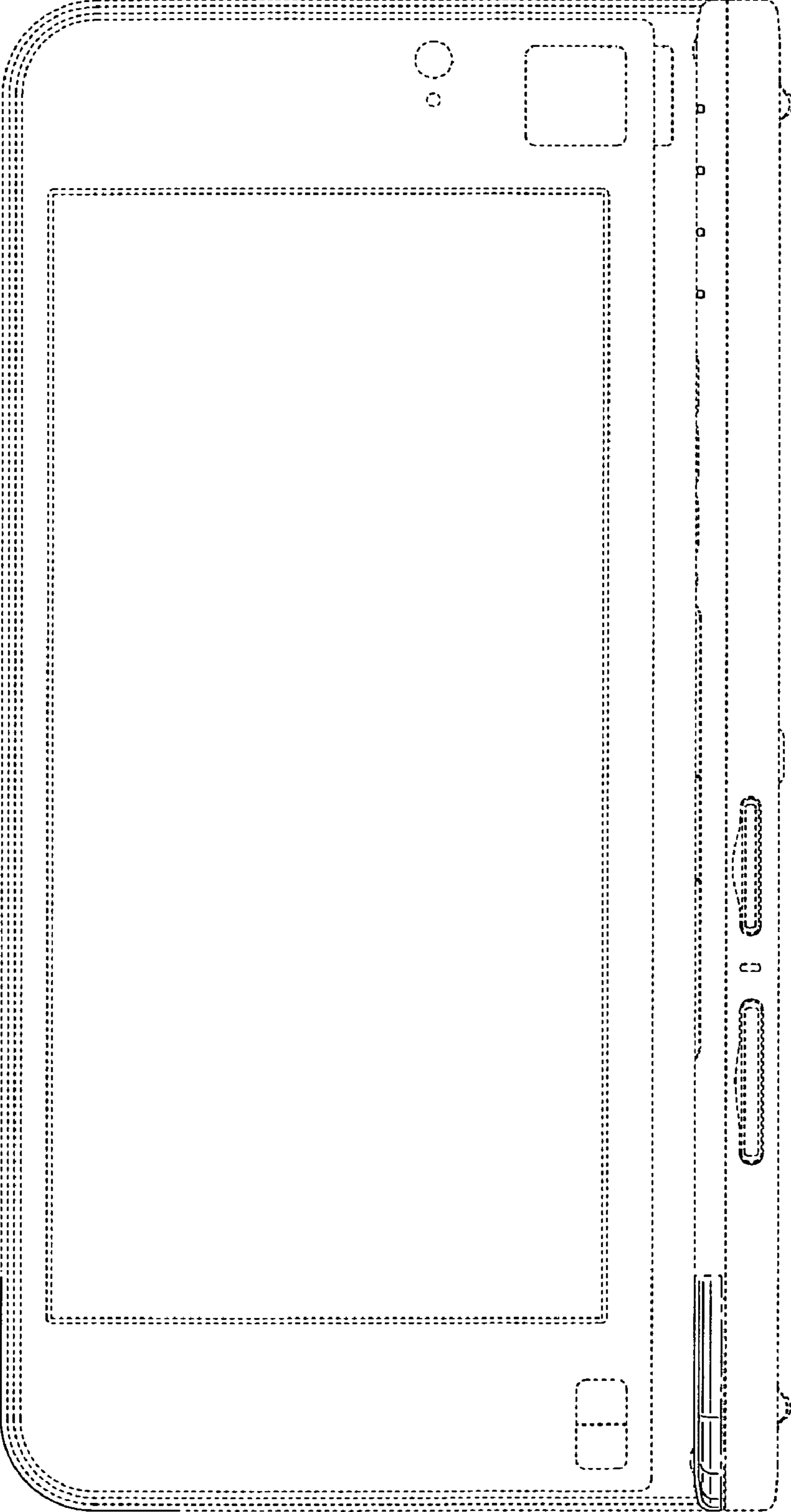


FIG.4

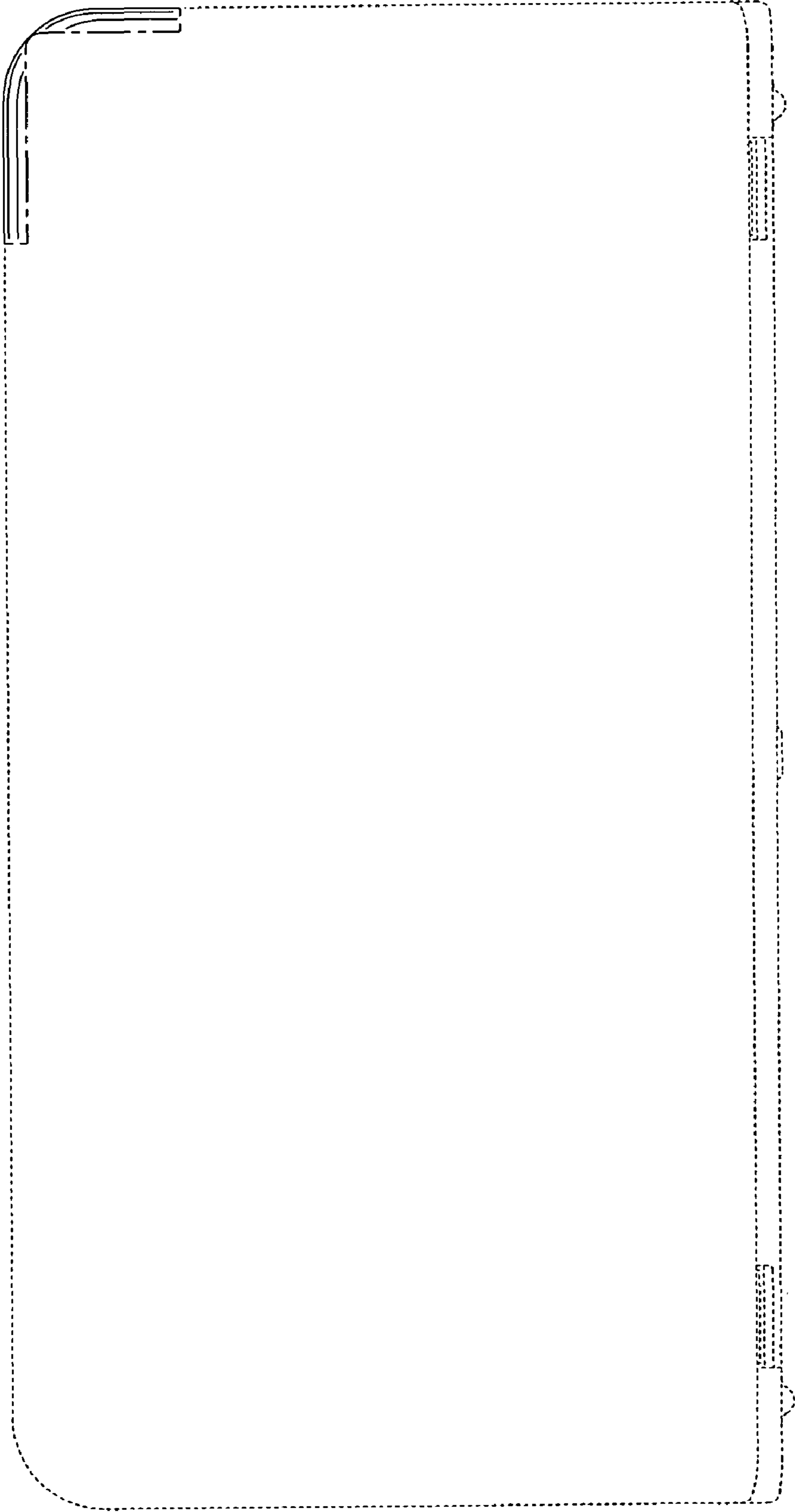


FIG.5

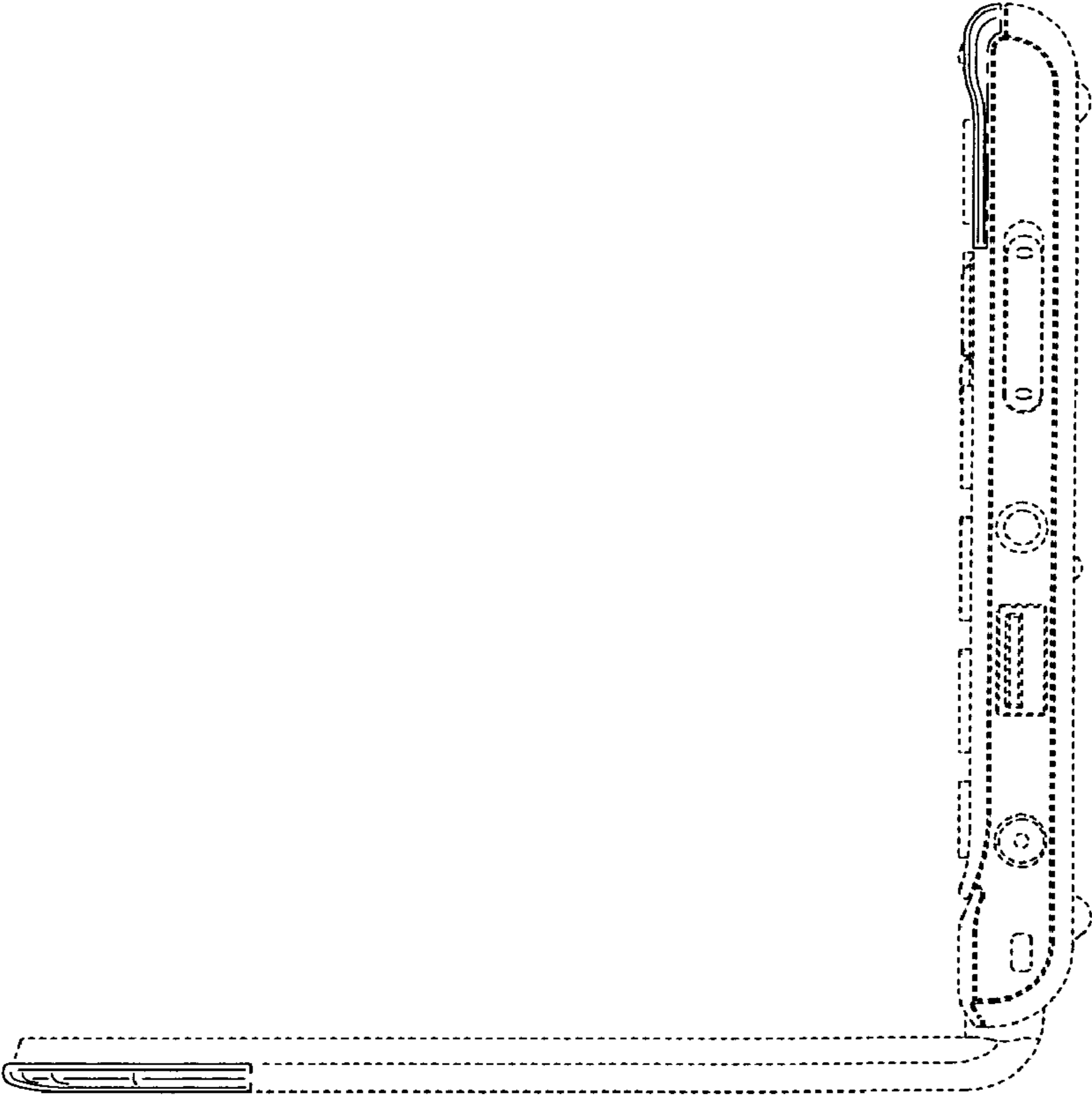
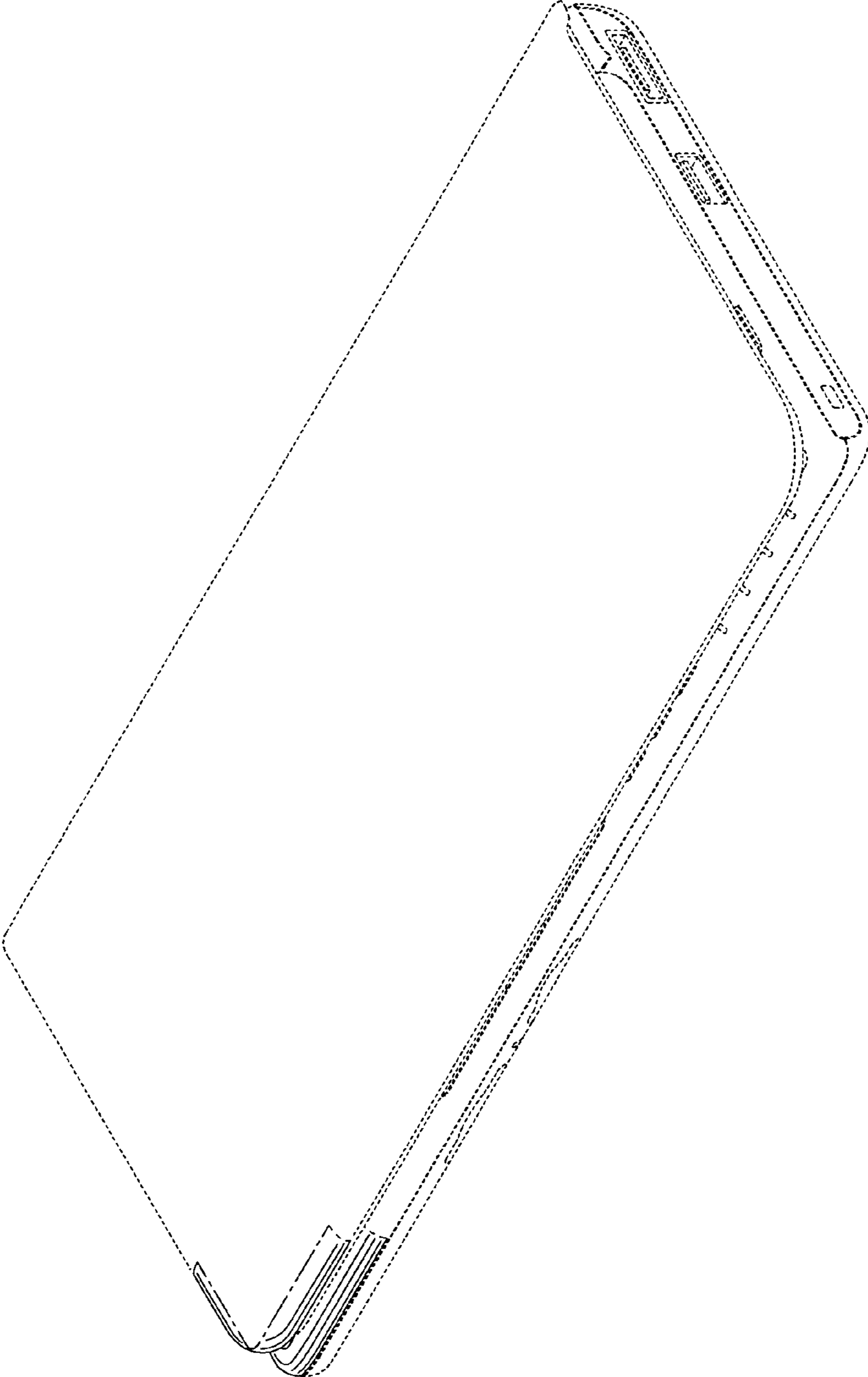






FIG.7



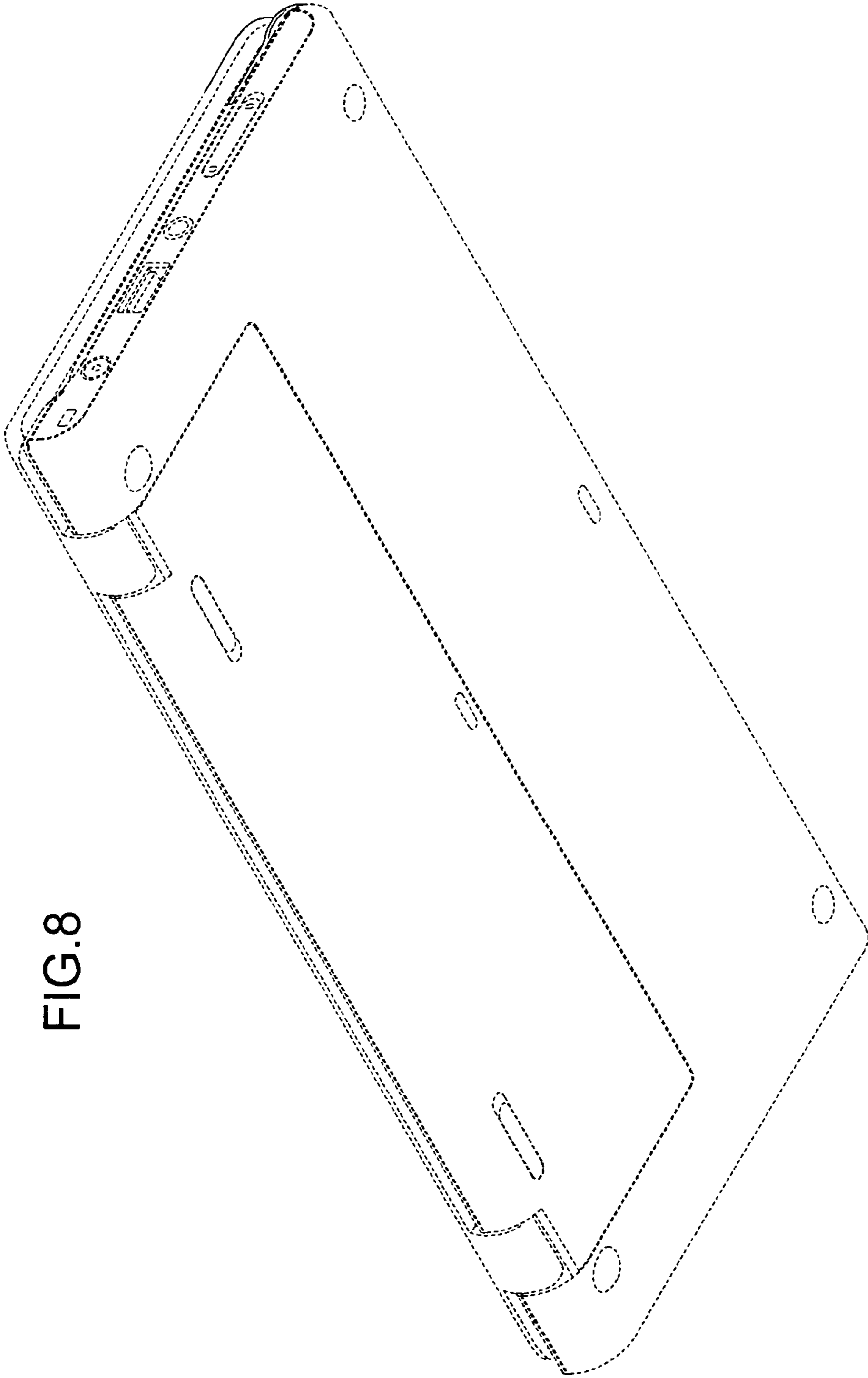


FIG.8

FIG.9

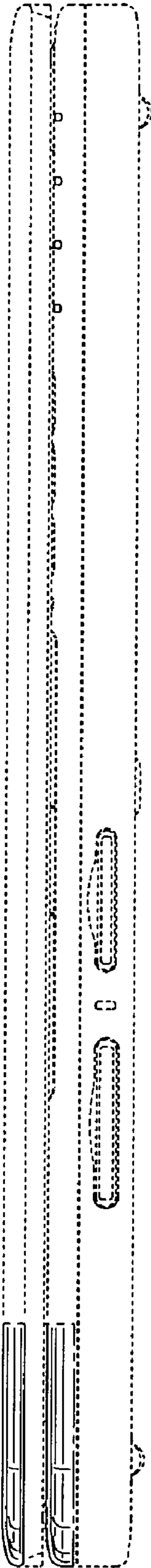


FIG. 10

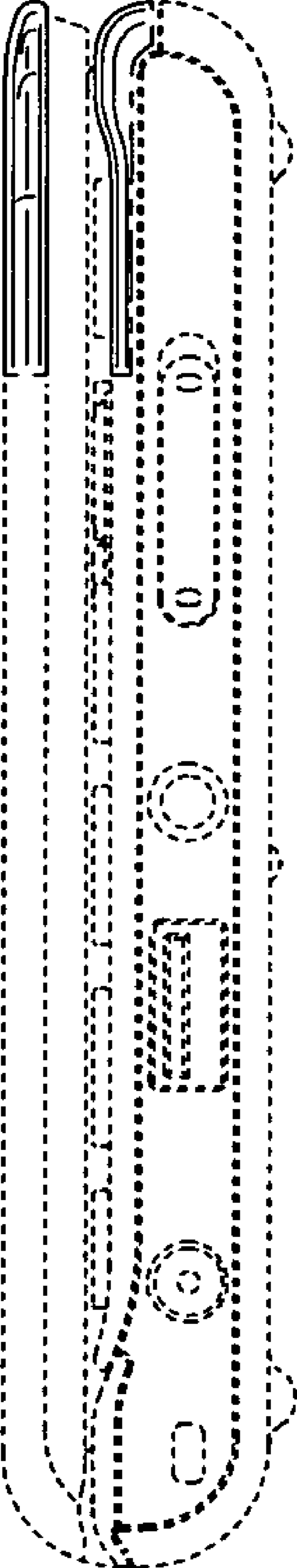


FIG.11

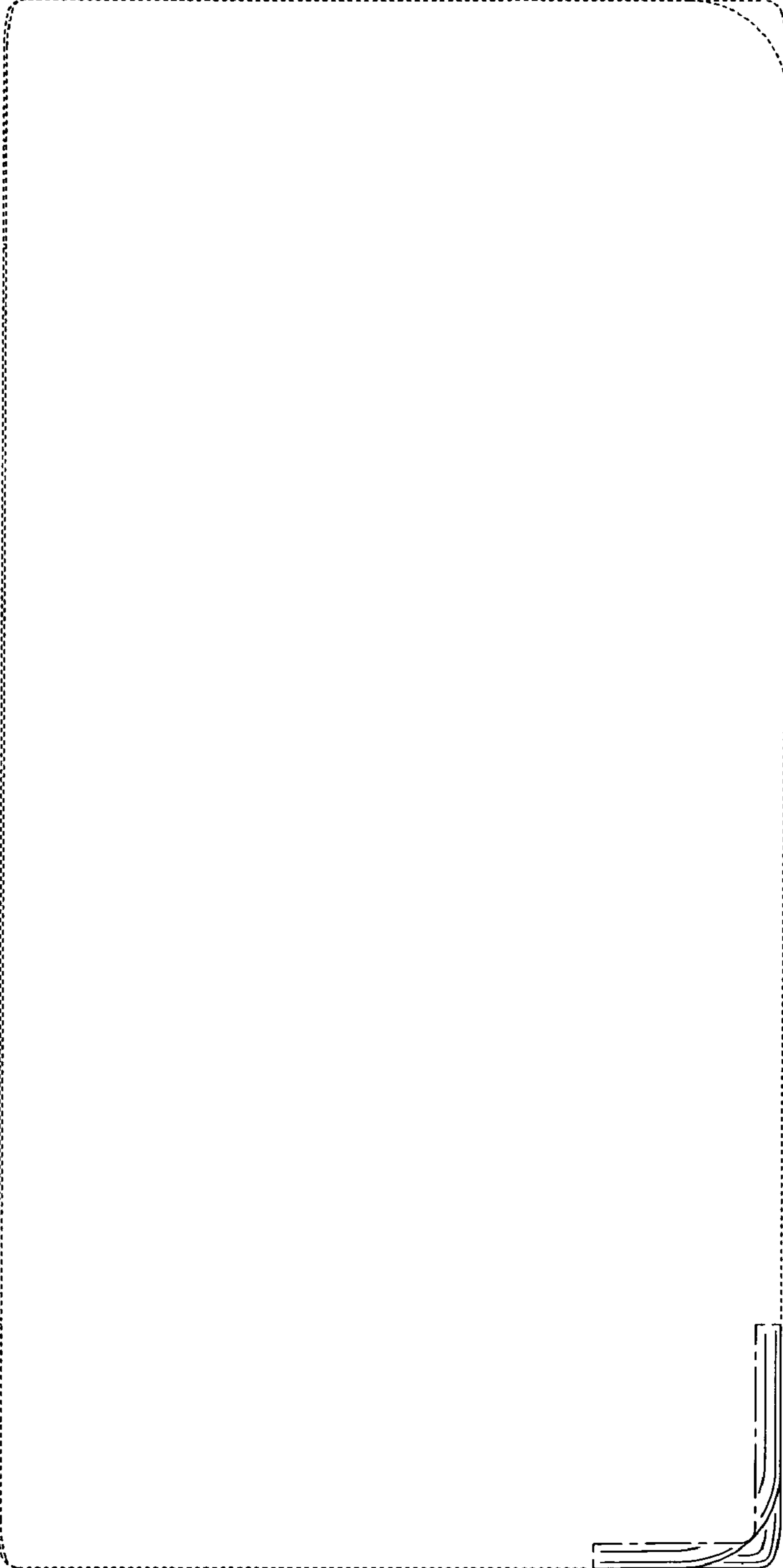


FIG.12

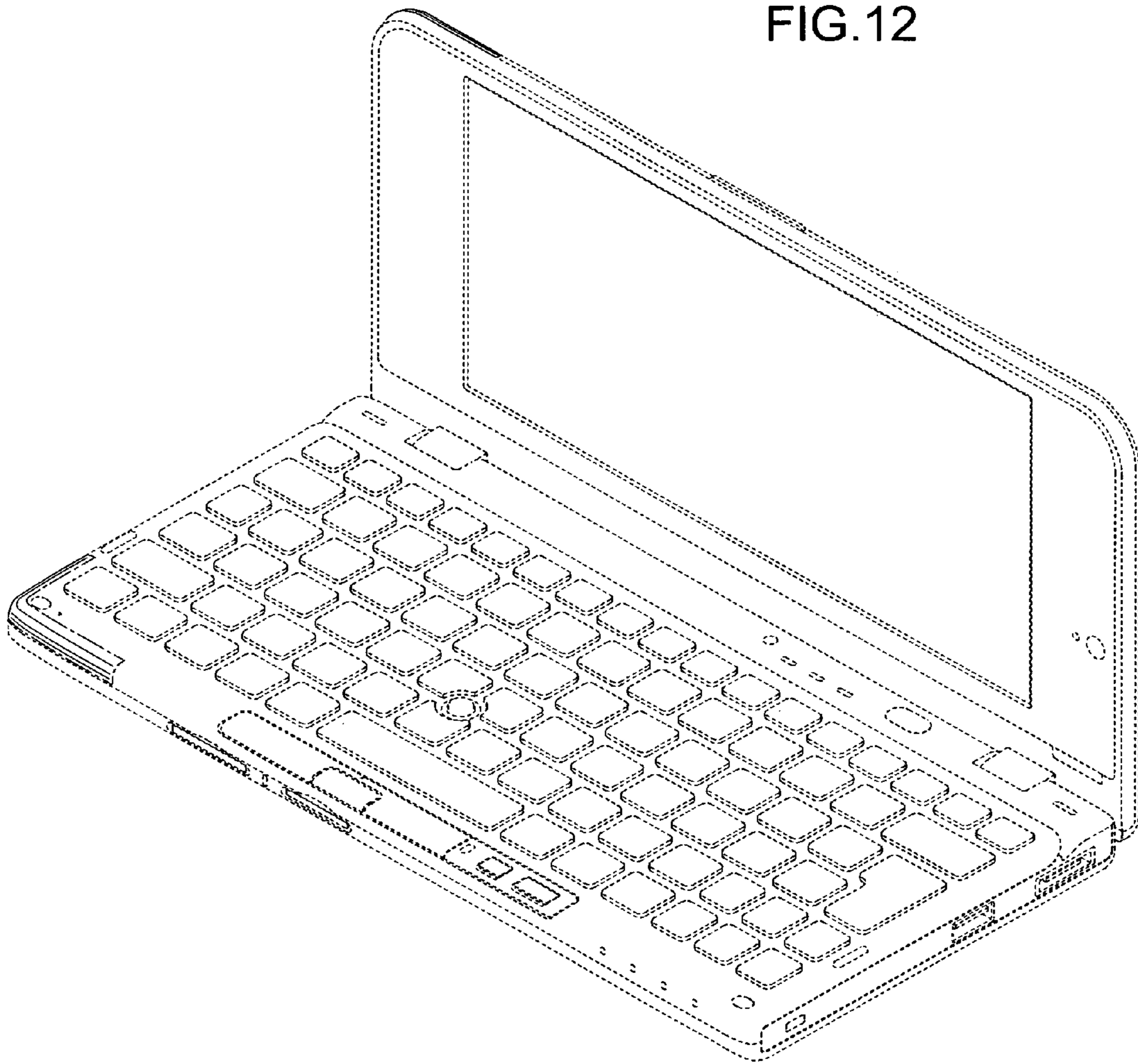


FIG. 13

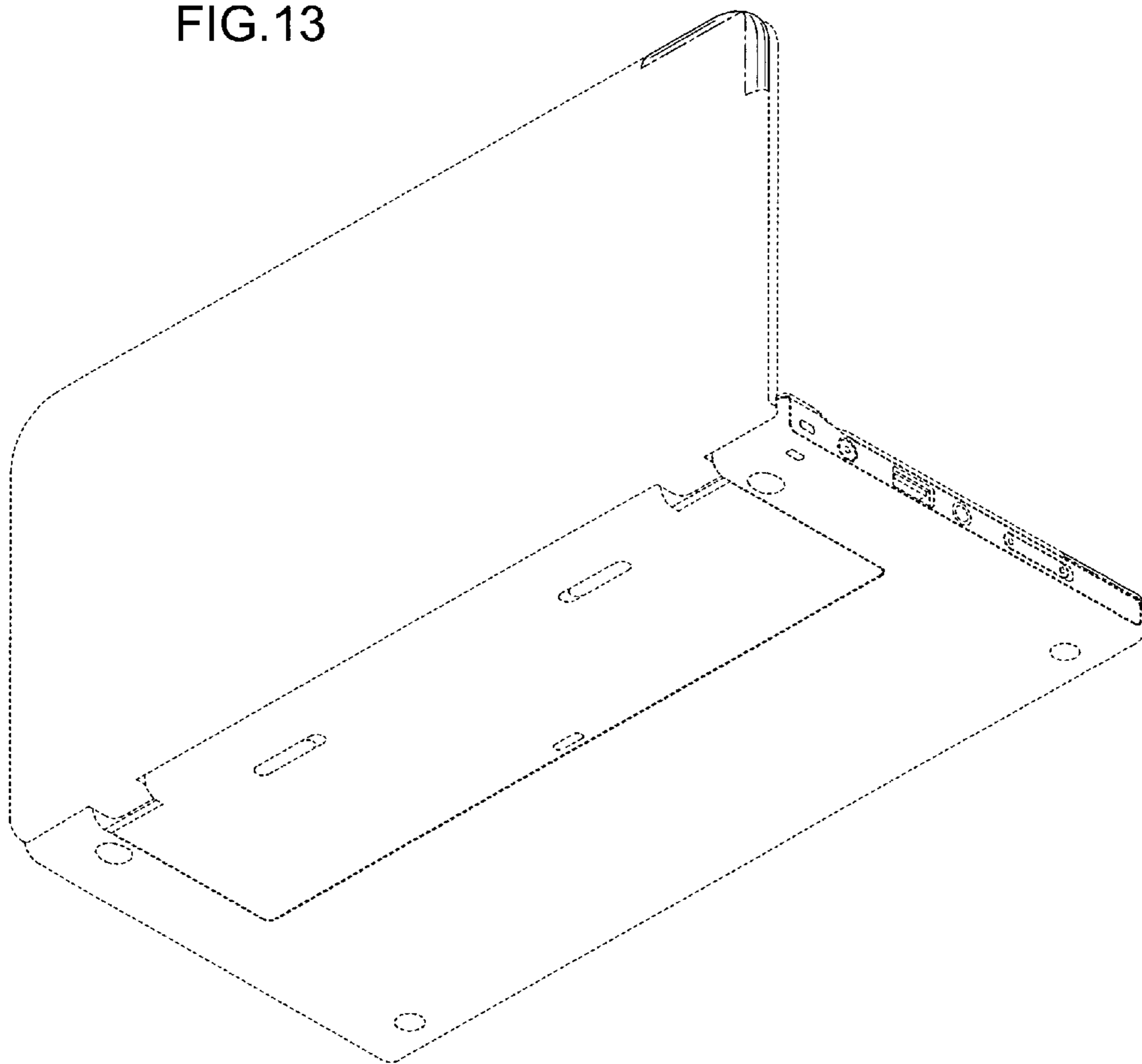


FIG.14

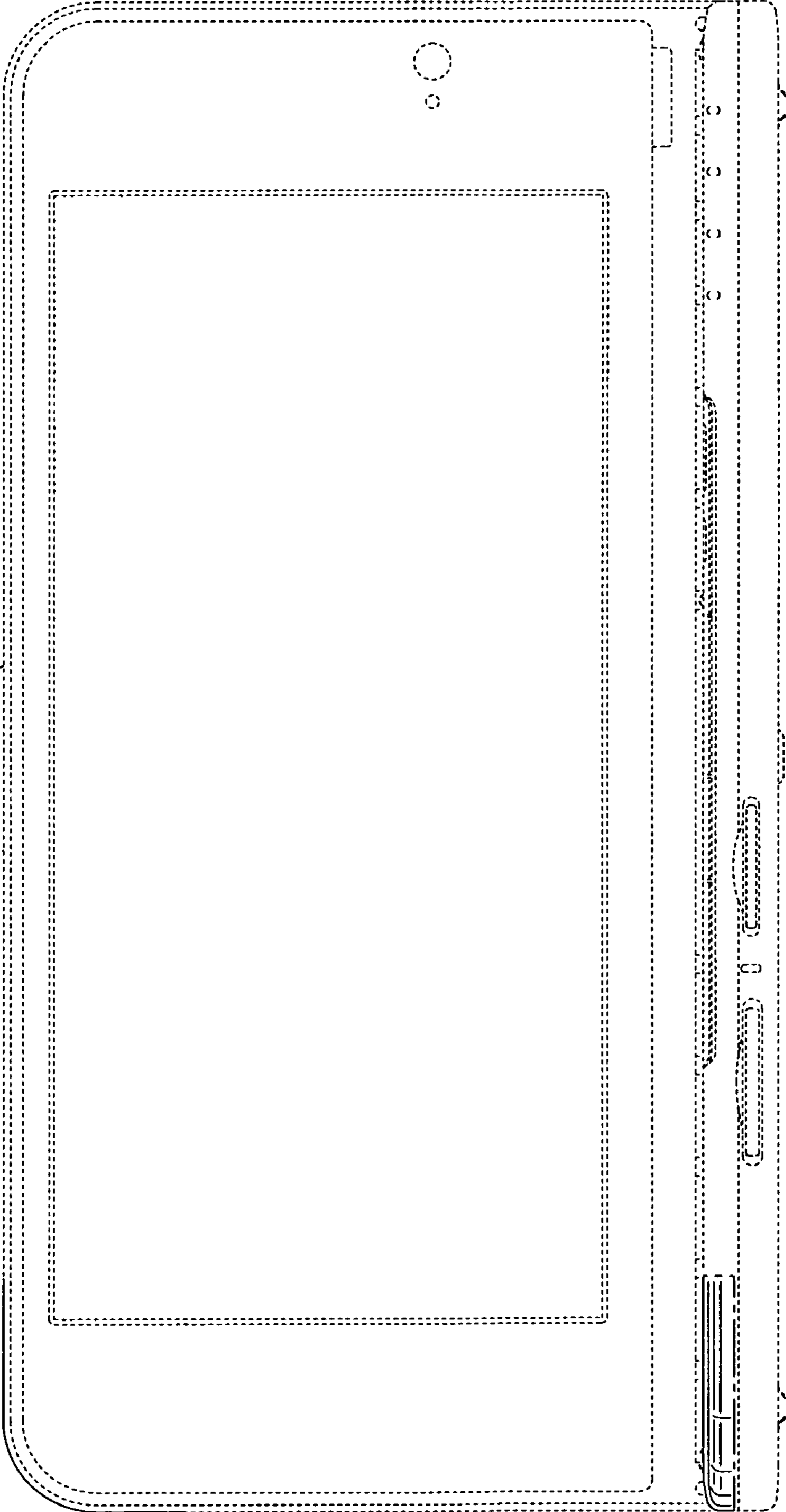




FIG.15

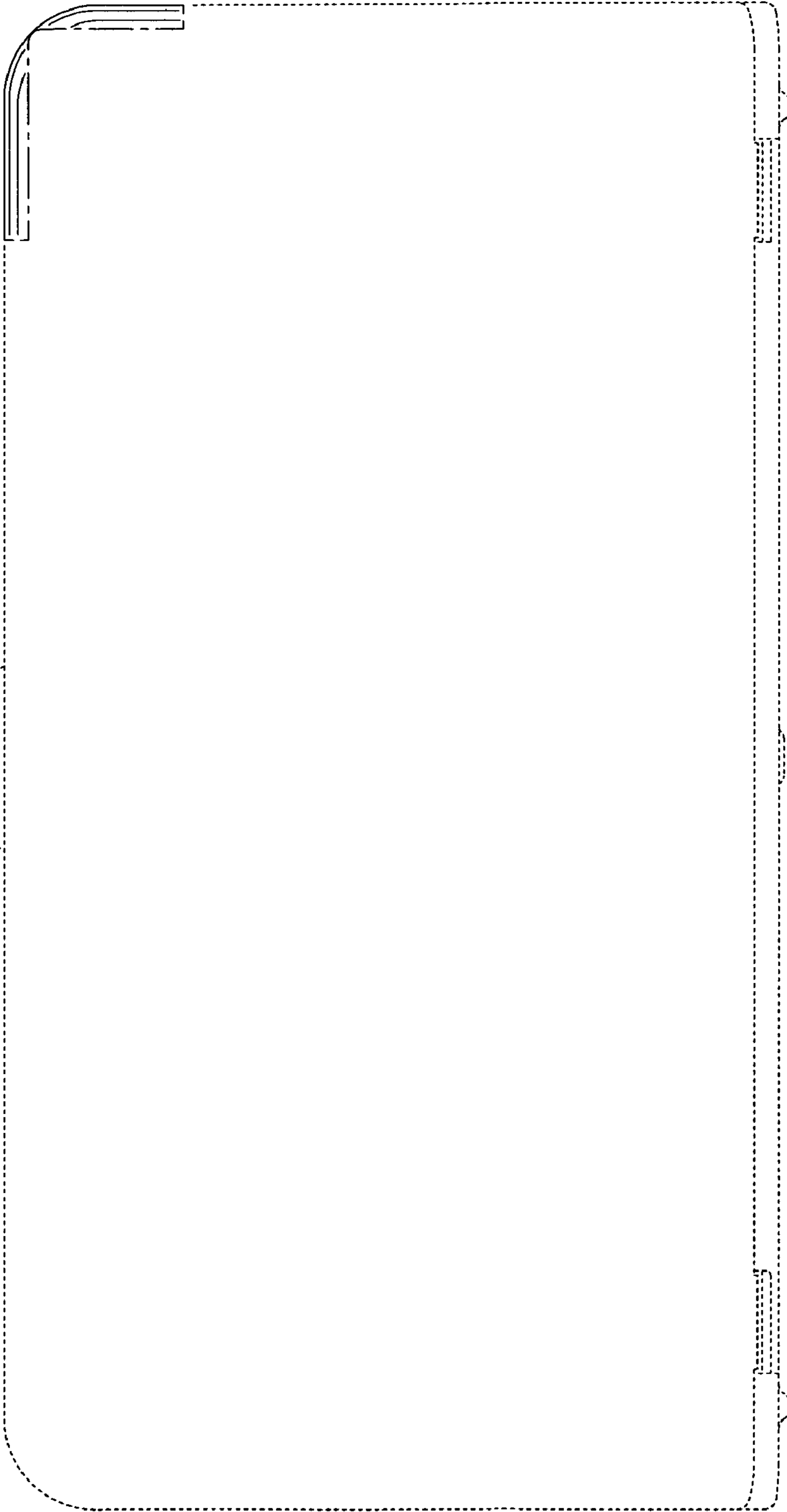


FIG. 16

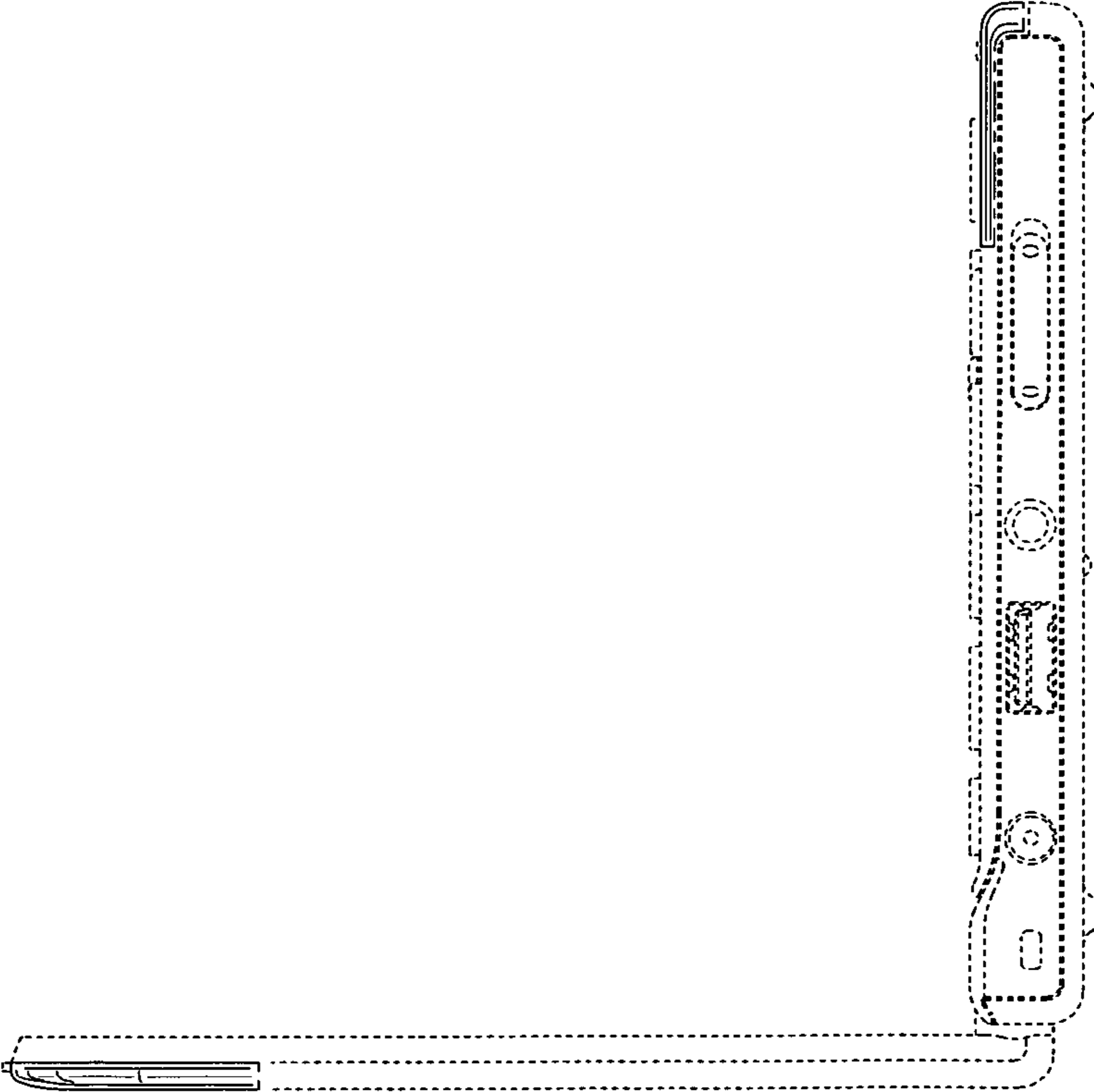


FIG.17

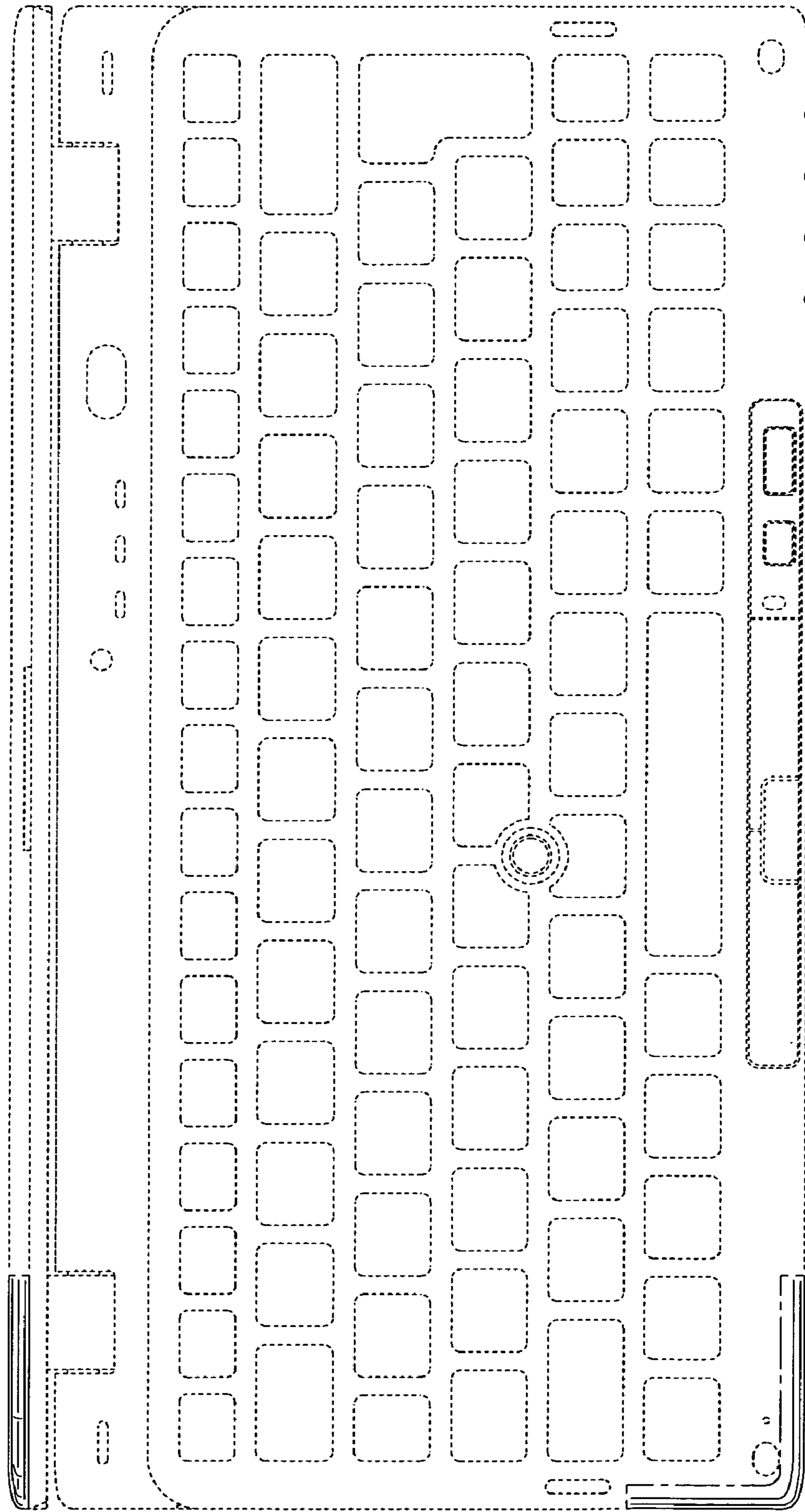
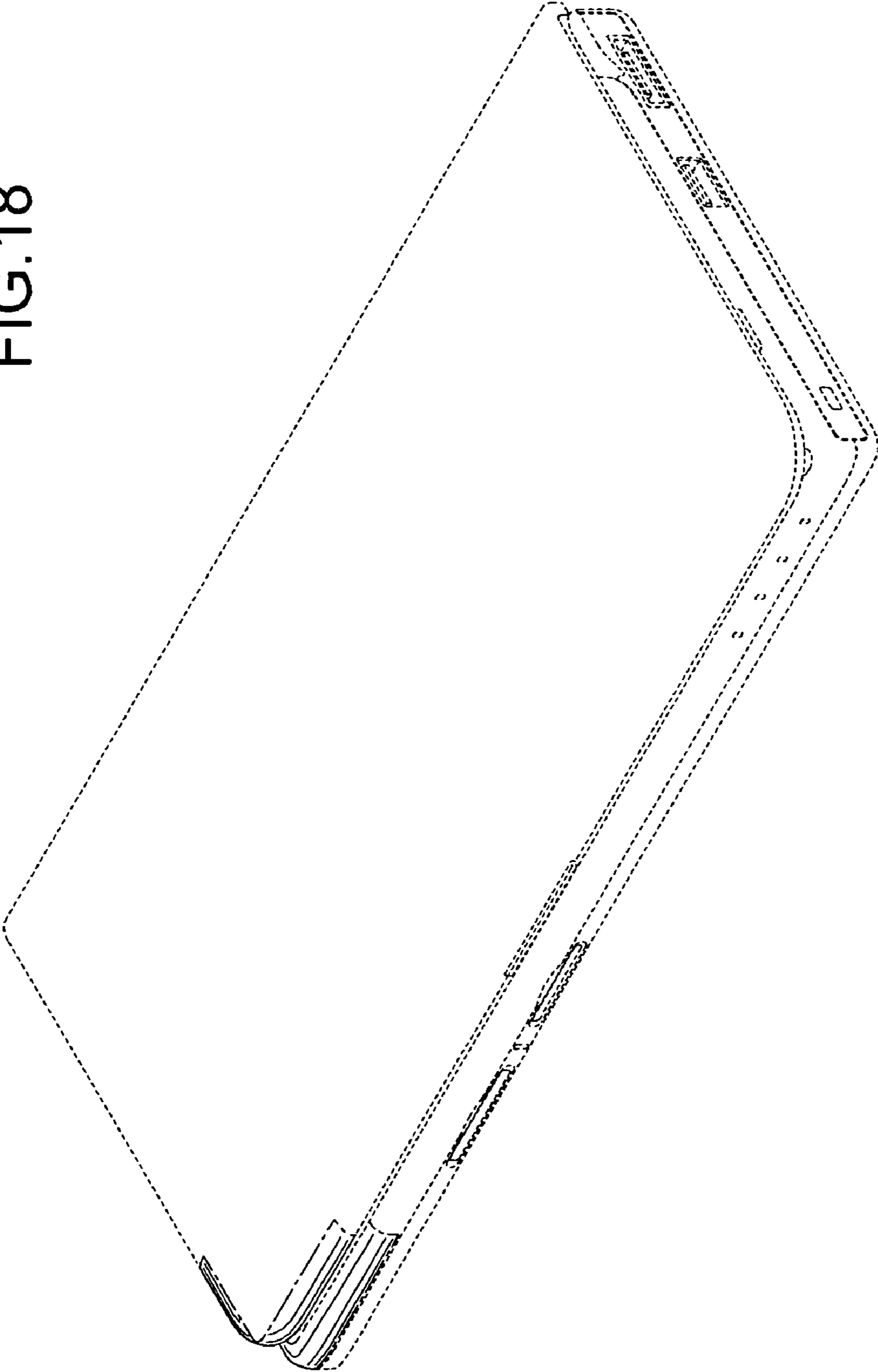


FIG.18



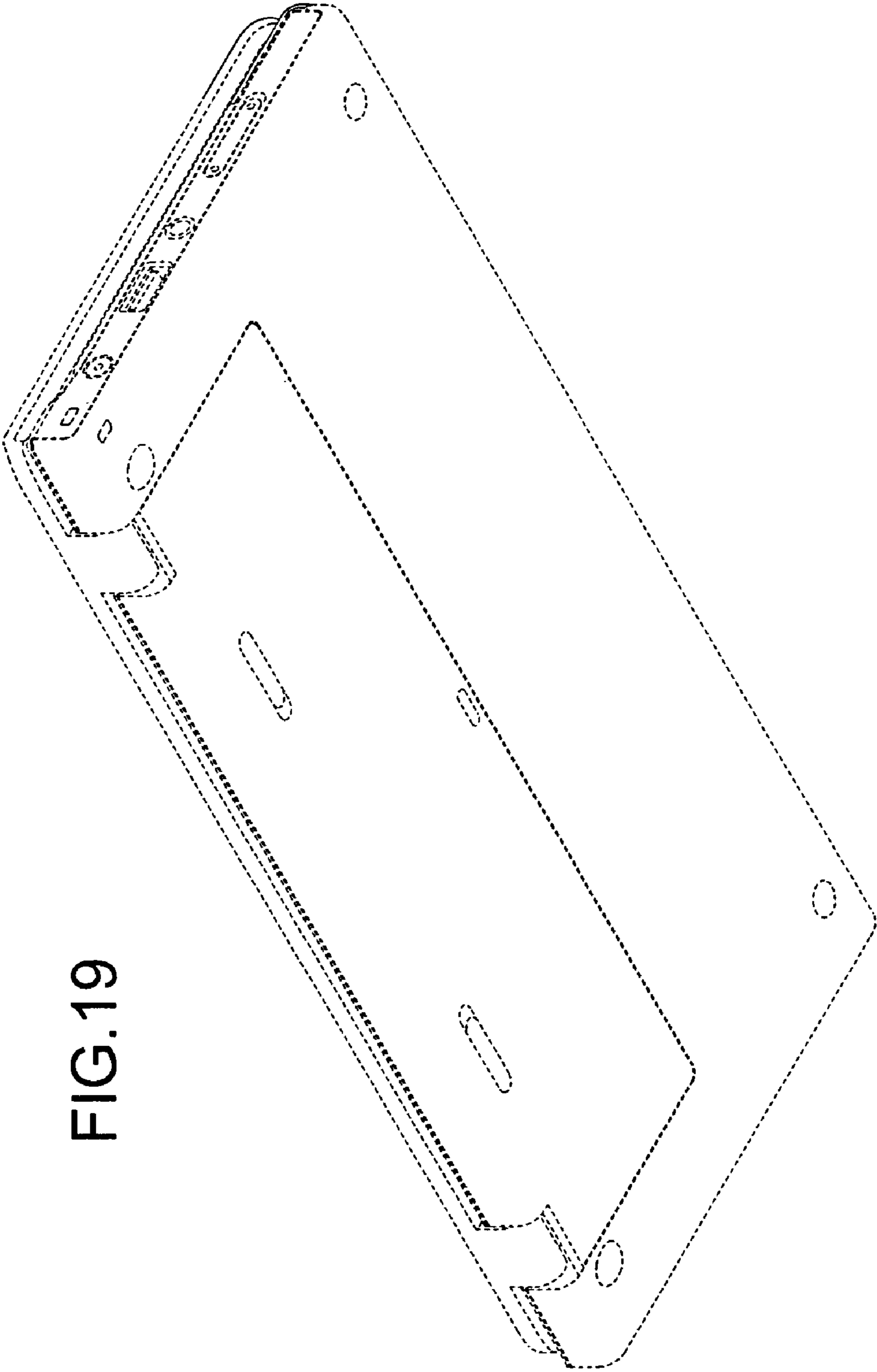


FIG.19

FIG. 20

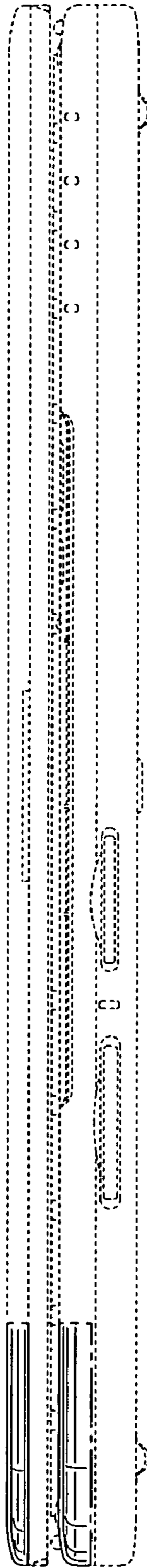


FIG. 21

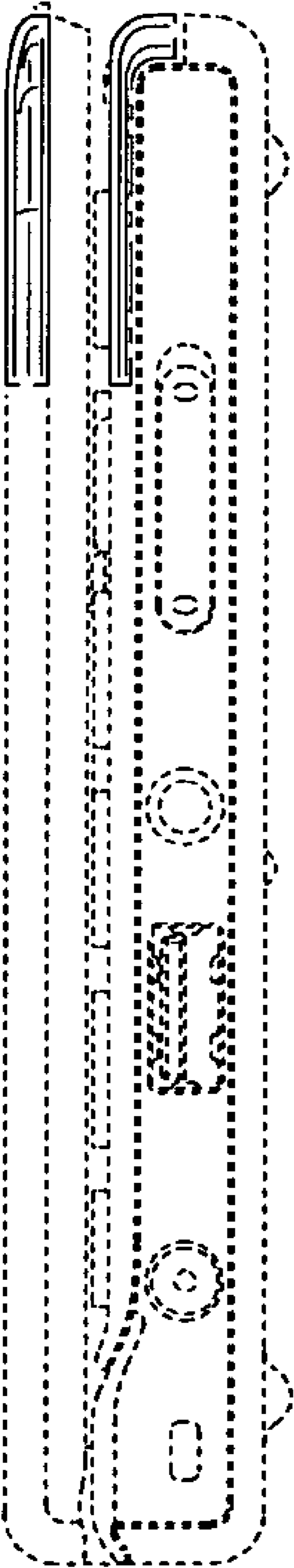


FIG.22

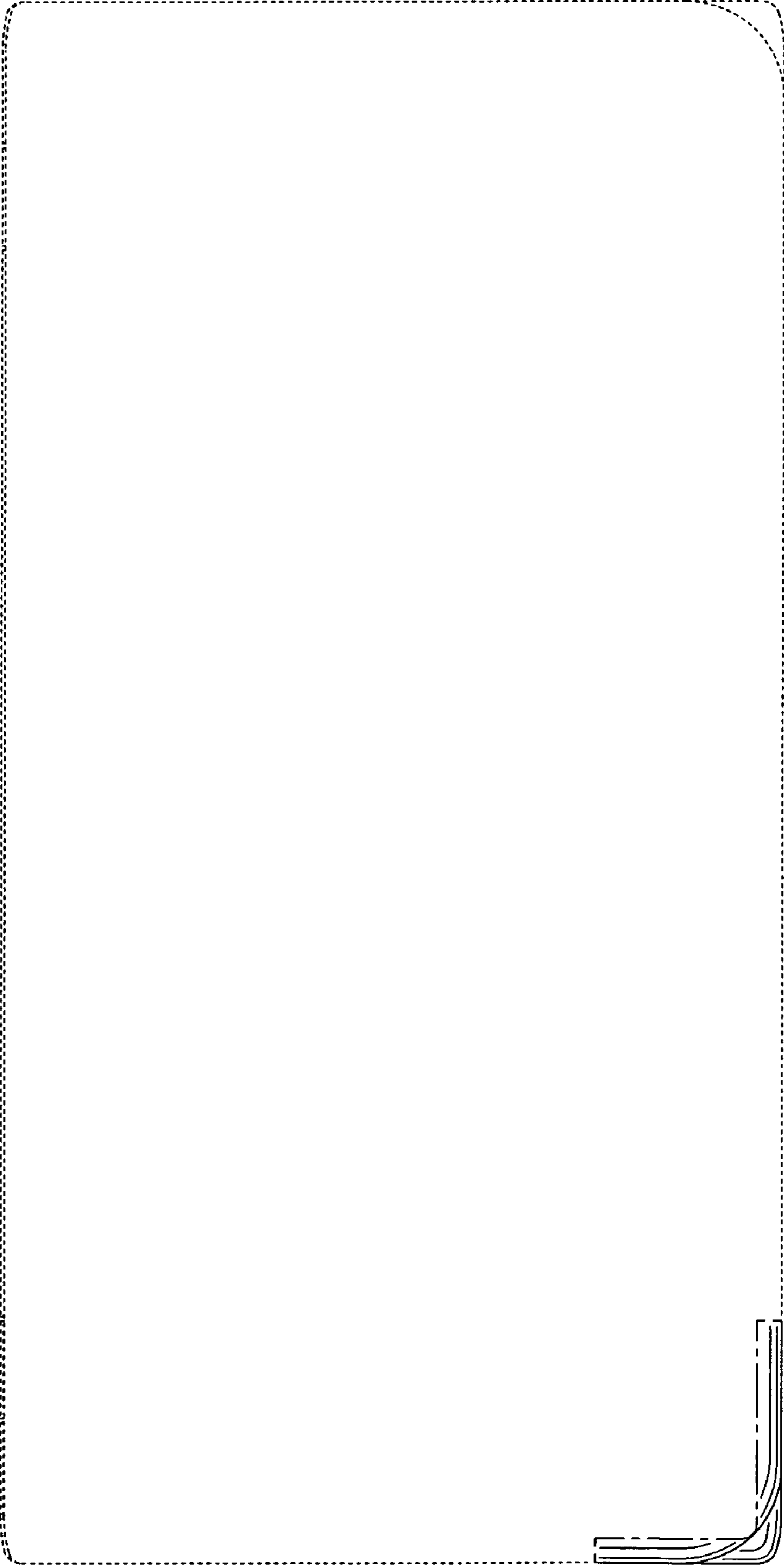




FIG.23

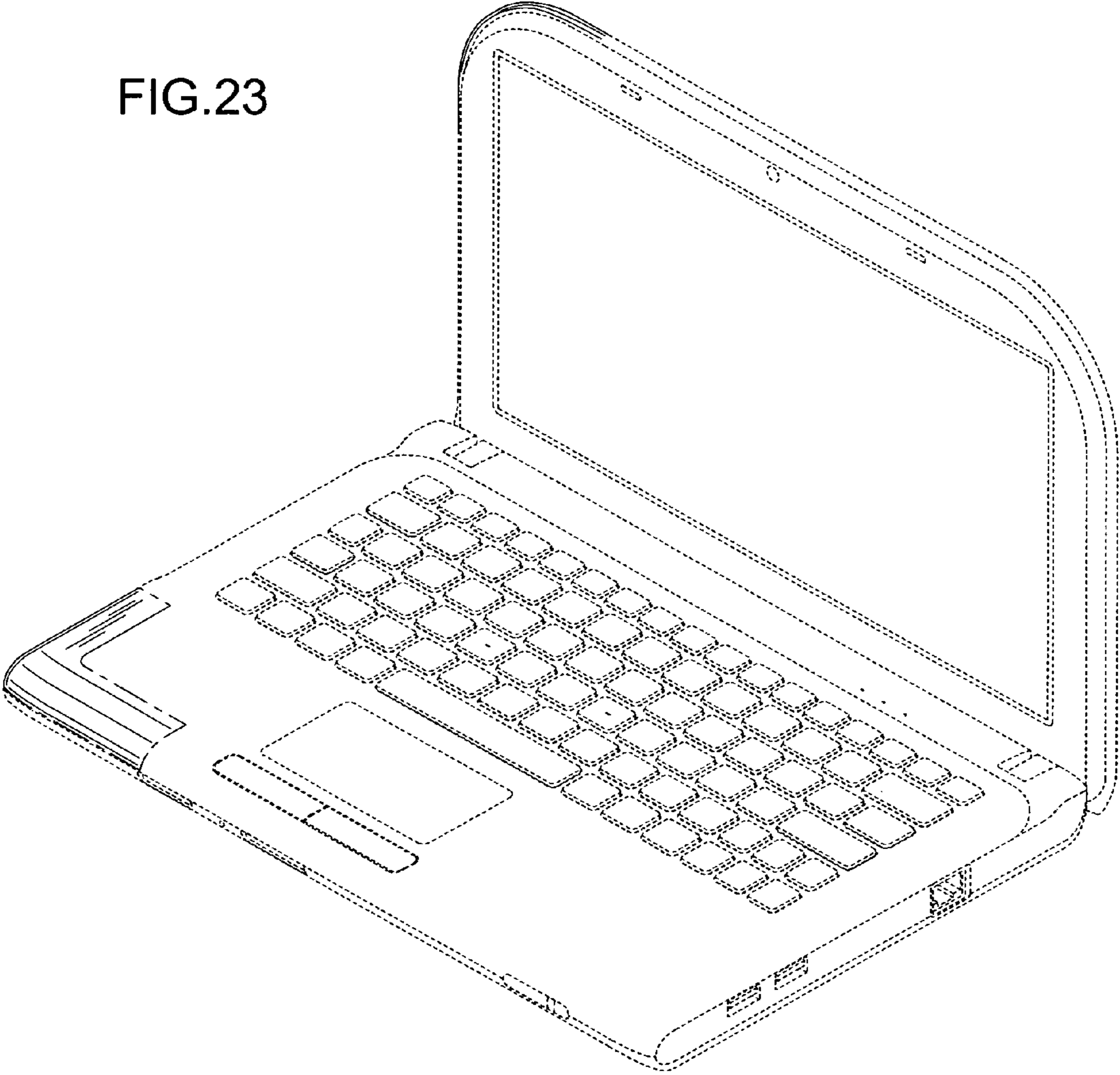


FIG.24

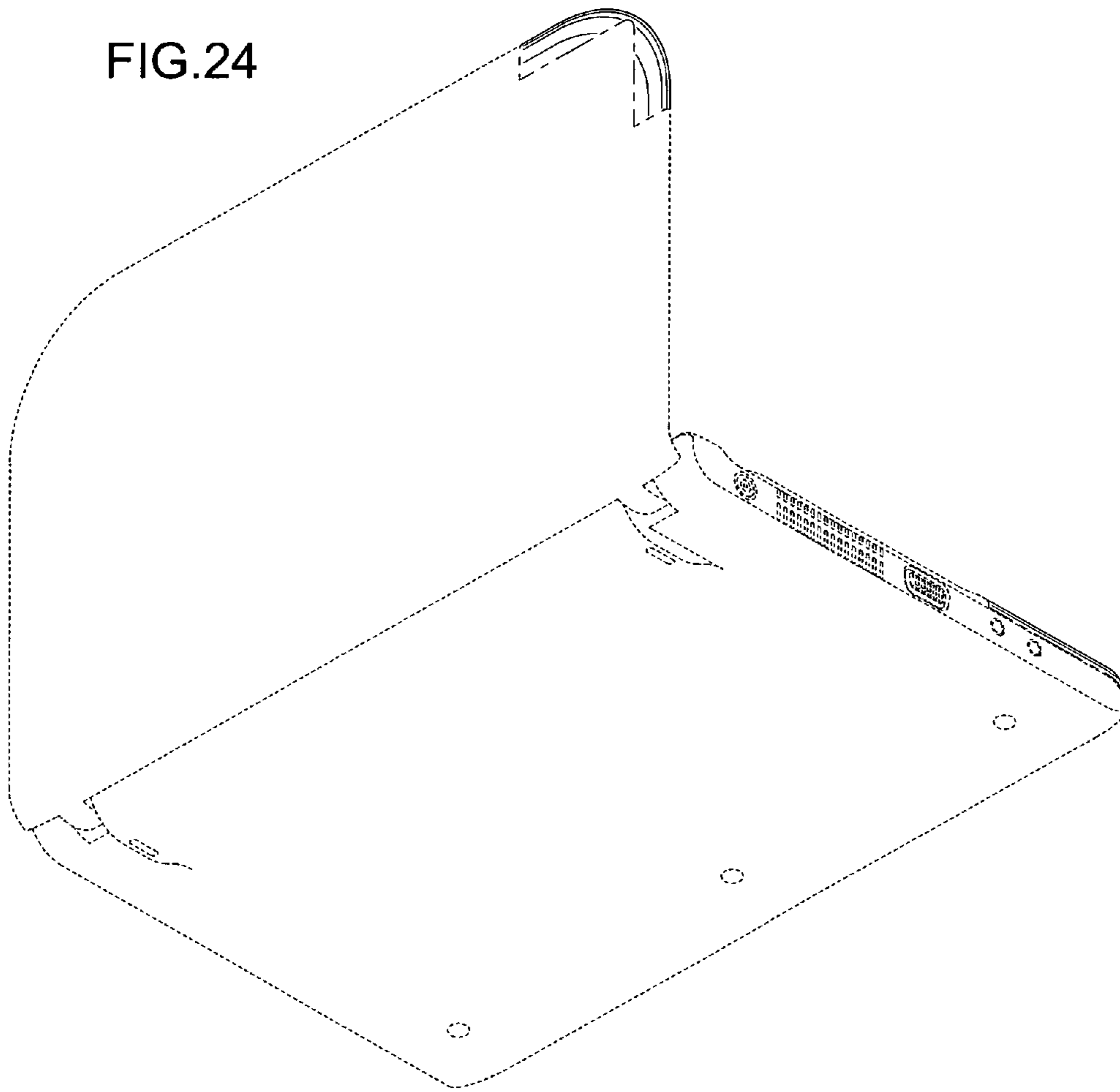


FIG.25

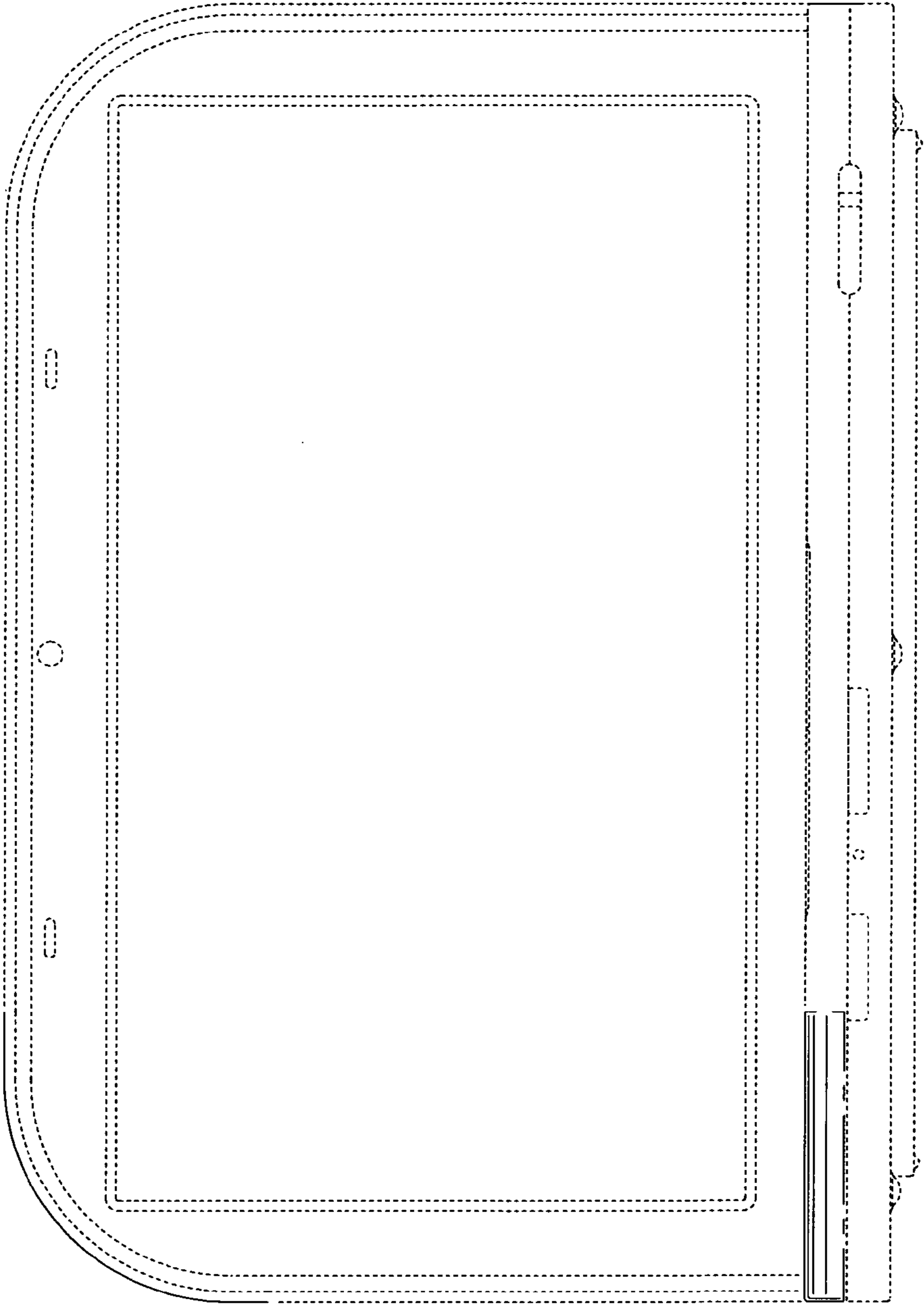


FIG.26

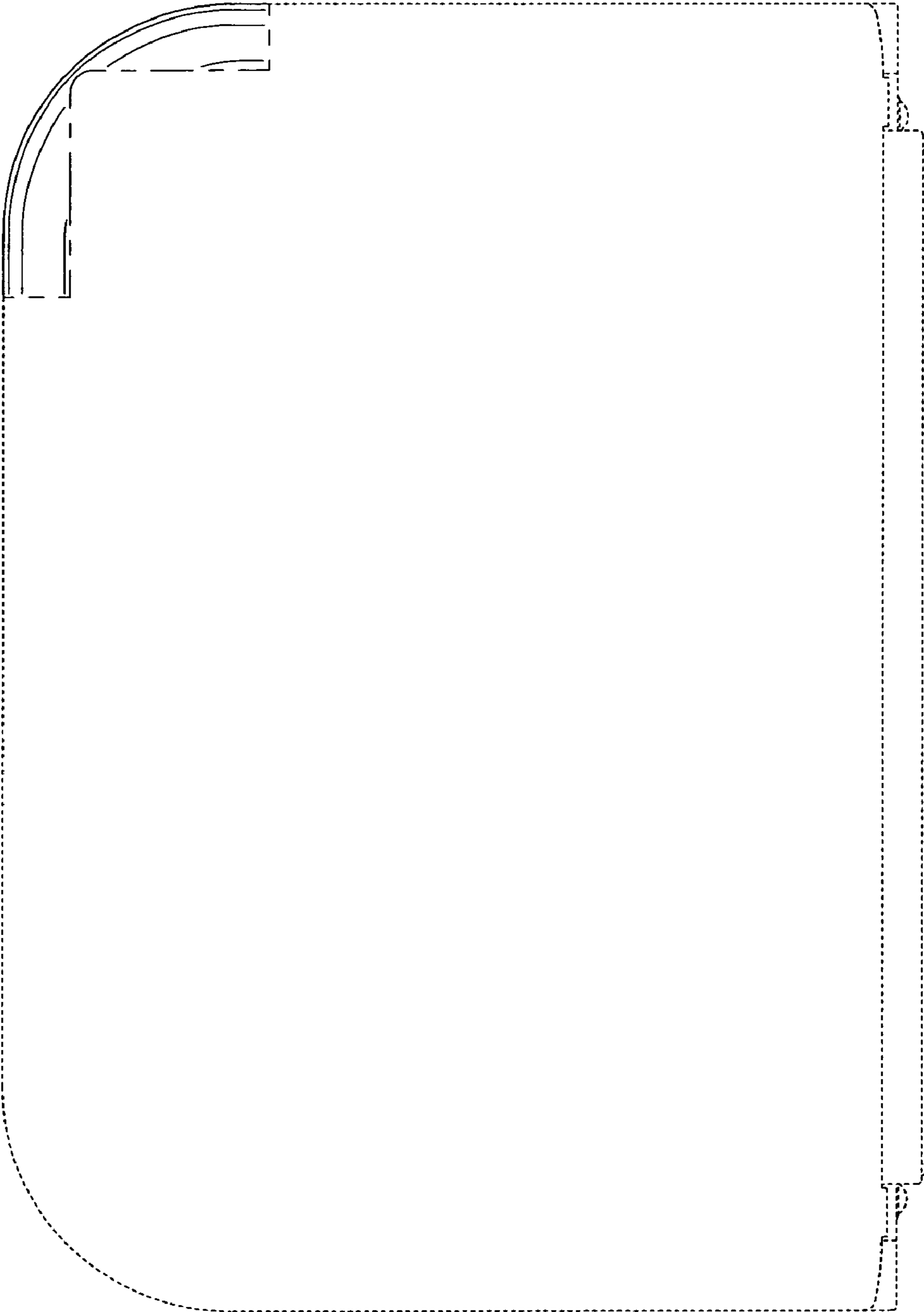


FIG.27

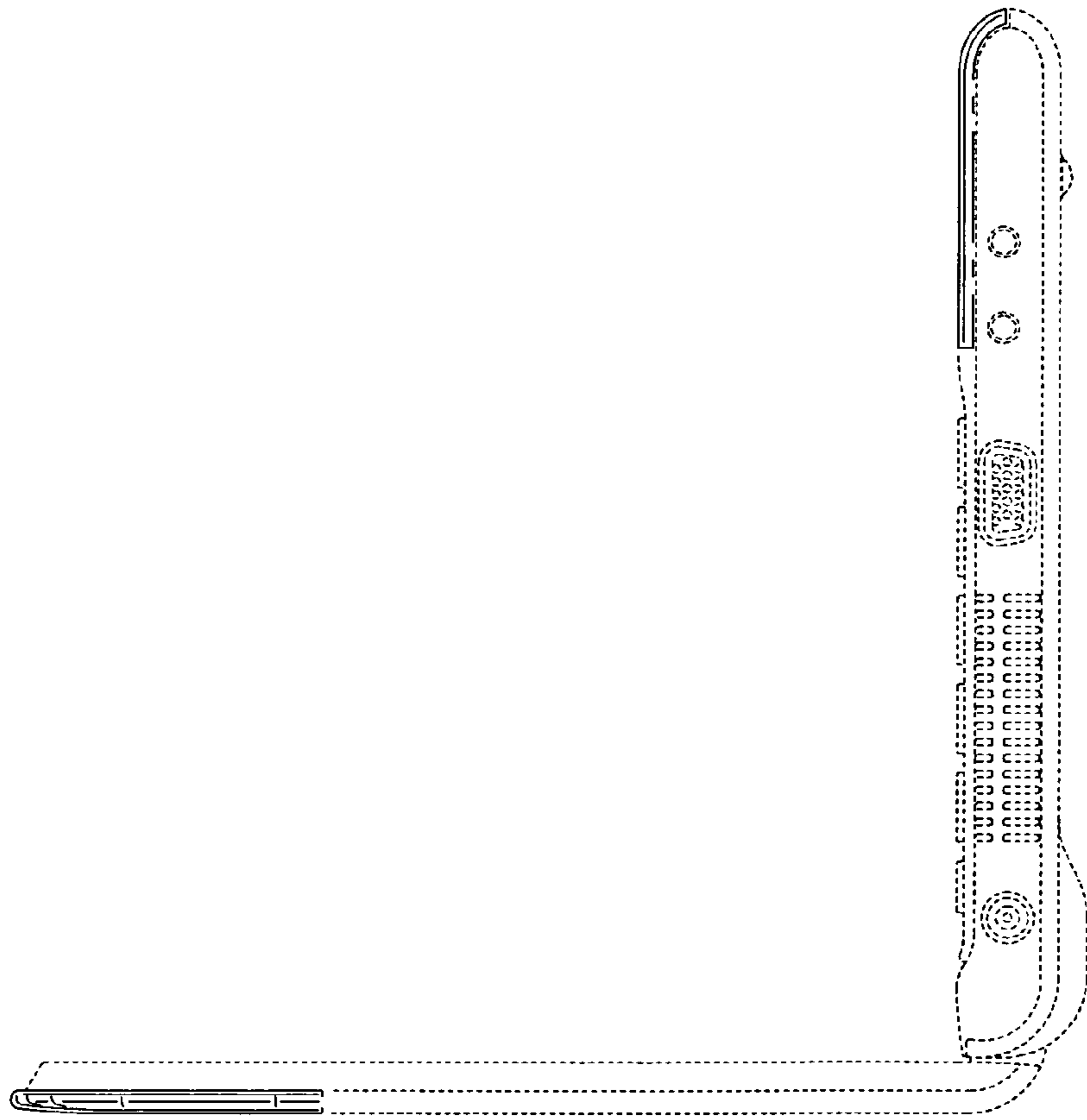


FIG.28

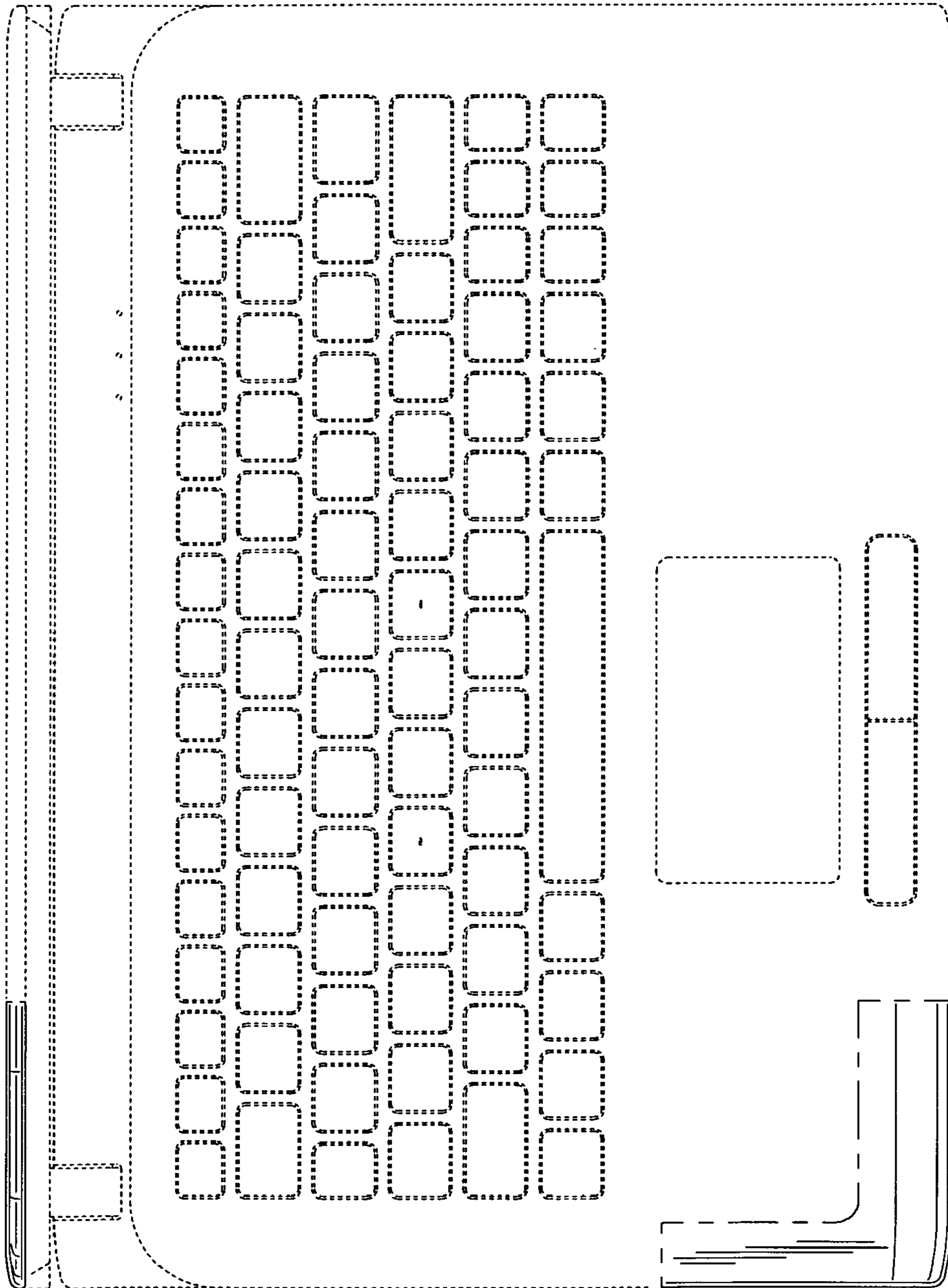
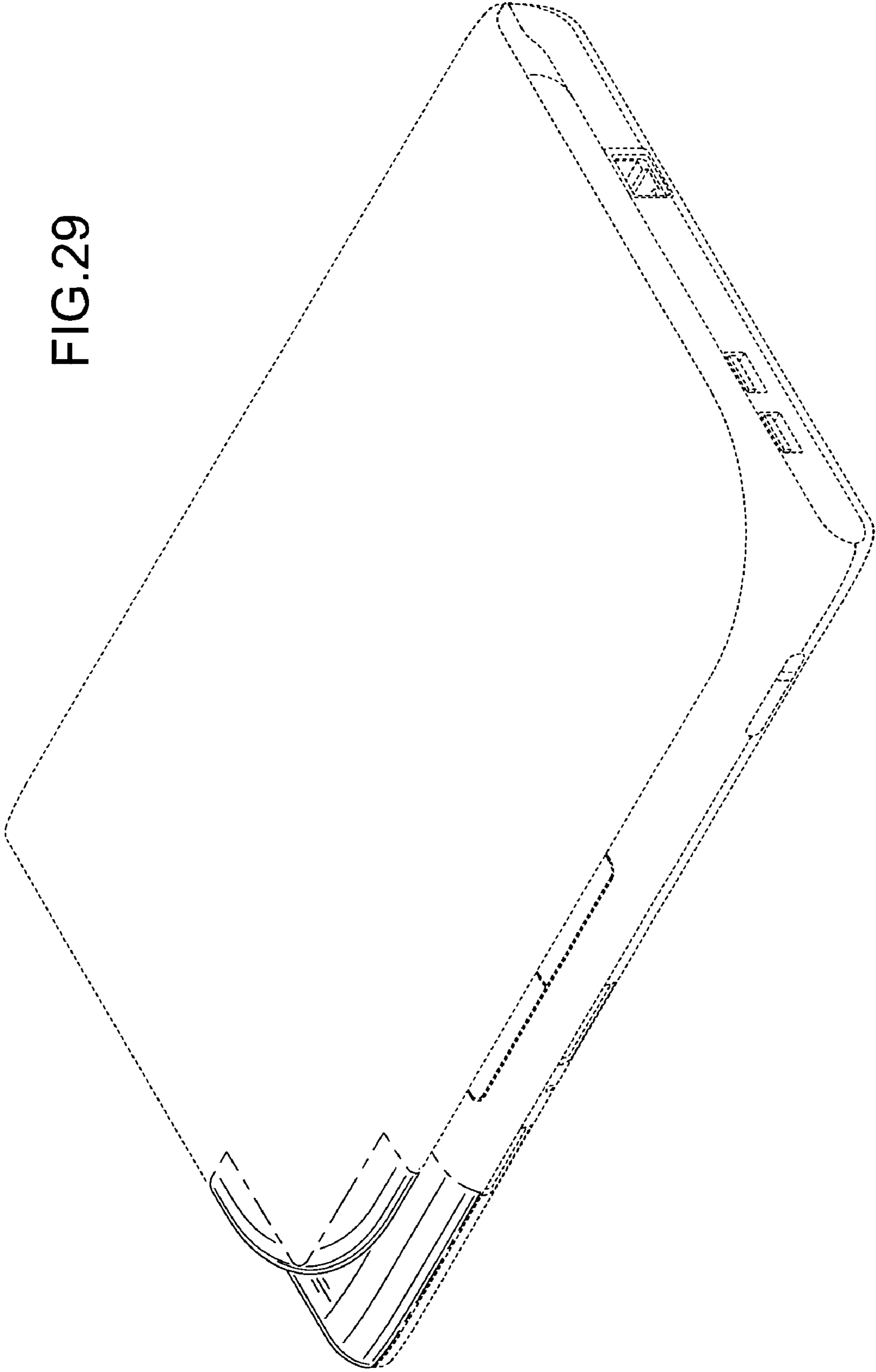


FIG. 29



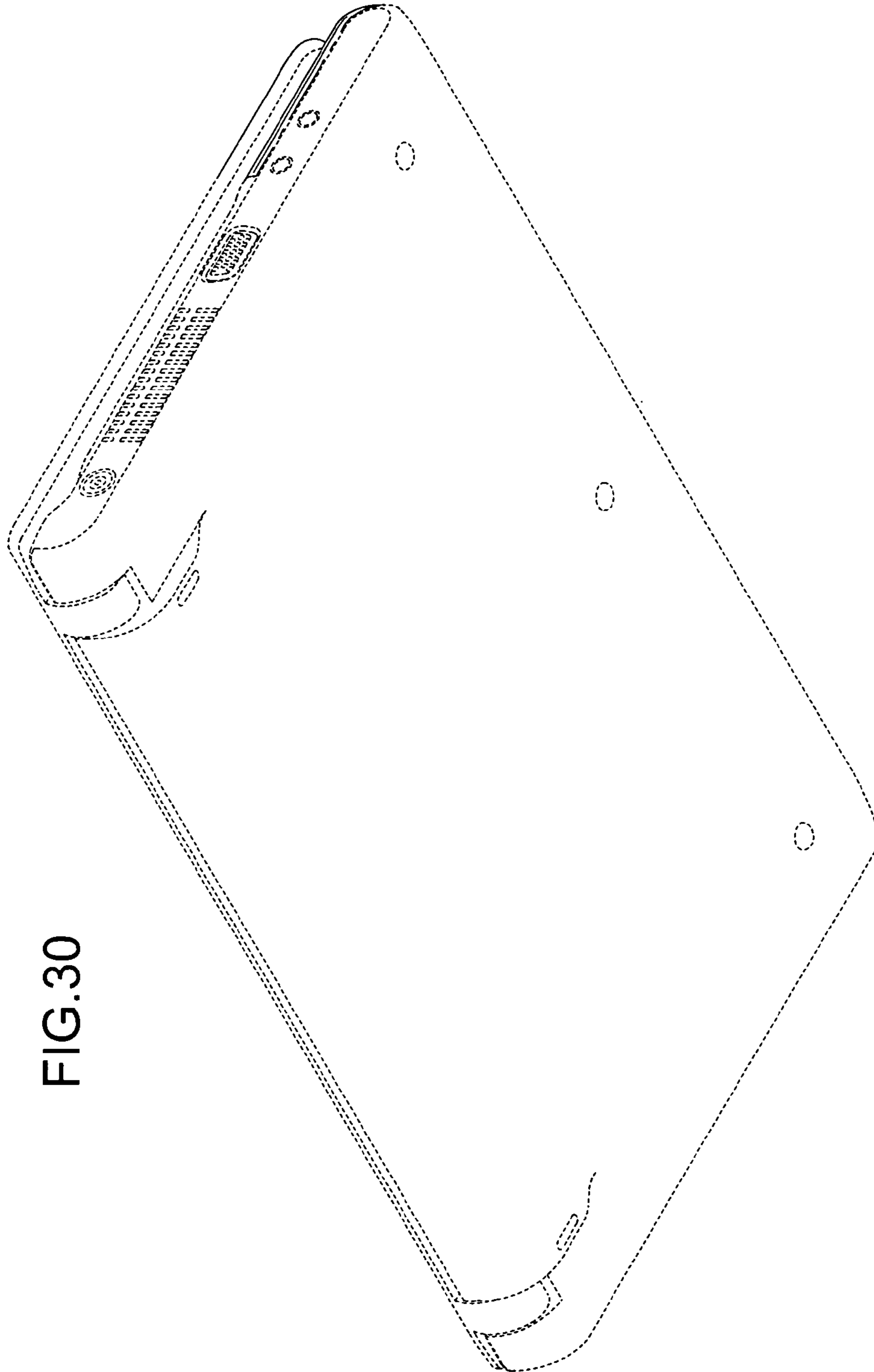


FIG. 30



FIG. 31

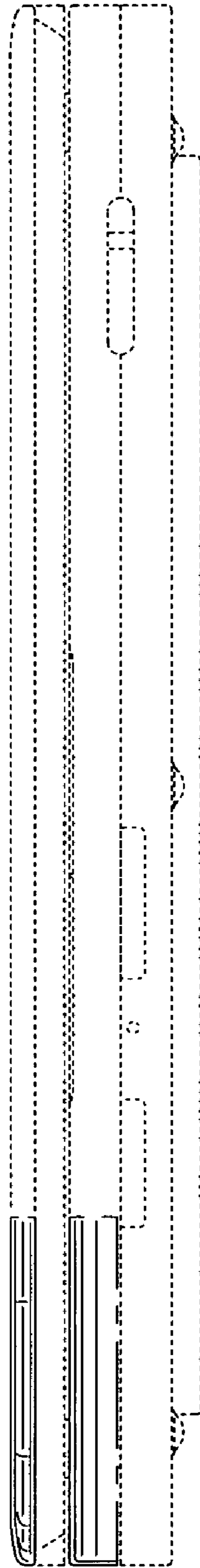


FIG. 32

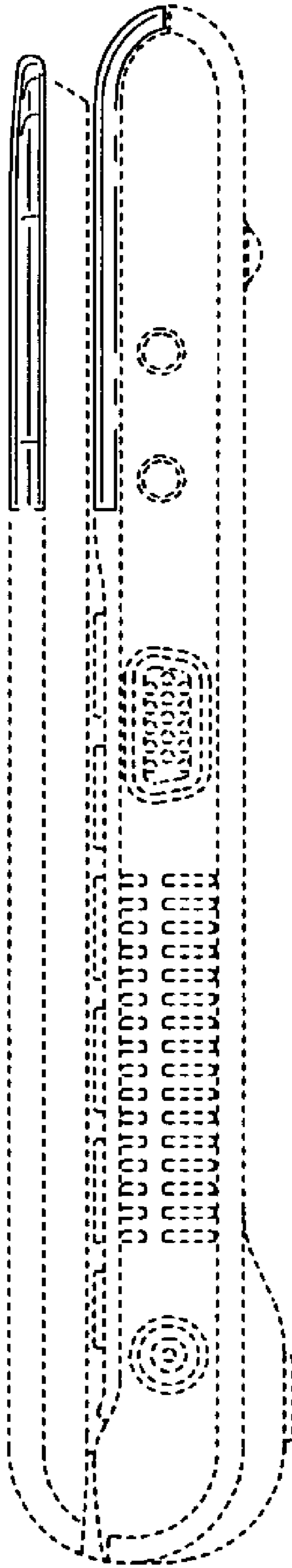


FIG. 33

