

US00D661293S

(12) **United States Design Patent**  
**Kuroda et al.**

(10) **Patent No.:** **US D661,293 S**  
(45) **Date of Patent:** **\*\* Jun. 5, 2012**

(54) **COMPUTER TERMINAL**  
(75) Inventors: **Satoshi Kuroda**, Kahoku (JP); **Yutaka Yoneda**, Kahoku (JP)  
(73) Assignee: **PFU Limited**, Ishikawa (JP)  
(\*\*) Term: **14 Years**  
(21) Appl. No.: **29/394,181**  
(22) Filed: **Jun. 14, 2011**  
(30) **Foreign Application Priority Data**  
Mar. 15, 2011 (JP) ..... 2011-005890  
(51) **LOC (9) Cl.** ..... **14-02**  
(52) **U.S. Cl.** ..... **D14/307**  
(58) **Field of Classification Search** ..... D14/302-307,  
D14/900-902; D13/163; D20/10; D21/332,  
D21/325, 369, 370; D99/28; D6/397, 466;  
194/206; 361/679.01, 679.02, 679.04, 679.21,  
361/679.57, 725  
See application file for complete search history.

D563,404 S 3/2008 Taniho  
D585,943 S \* 2/2009 Pymm et al. .... D20/10  
D590,387 S \* 4/2009 Chen ..... D14/307  
D605,189 S 12/2009 Kuroda  
D605,190 S 12/2009 Kuroda  
D605,191 S 12/2009 Kuroda  
D617,575 S \* 6/2010 Dreyer et al. .... D6/396  
2008/0189173 A1 \* 8/2008 Bakar et al. .... 705/14  
2008/0252414 A1 \* 10/2008 Crigger et al. .... 340/5.52  
2009/0289104 A1 \* 11/2009 Yoneda ..... 235/375  
2011/0192681 A1 \* 8/2011 Johnson et al. .... 186/52  
2011/0296217 A1 \* 12/2011 Nishimura et al. .... 713/323

**FOREIGN PATENT DOCUMENTS**

JP 1353505 3/2009  
JP 1354132 3/2009

\* cited by examiner

*Primary Examiner* — Deanna L Fluegeman  
(74) *Attorney, Agent, or Firm* — RatnerPrestia

(57) **CLAIM**  
The ornamental design for a computer terminal, as shown and described.

**DESCRIPTION**

FIG. 1 is a front perspective view of a computer terminal showing our new design;  
FIG. 2 is a front view thereof;  
FIG. 3 is a rear view thereof;  
FIG. 4 is a right side elevational view thereof;  
FIG. 5 is a left side elevational view thereof;  
FIG. 6 is a top plan view thereof; and,  
FIG. 7 is a bottom plan view thereof.  
The broken lines shown in the drawings are included for the purpose of illustrating unclaimed portions of the computer terminal and form no part of the claimed design.

**1 Claim, 4 Drawing Sheets**

(56) **References Cited**  
**U.S. PATENT DOCUMENTS**  
D368,293 S \* 3/1996 Barrett ..... D10/46.1  
5,719,548 A \* 2/1998 Stirling et al. .... 340/323 B  
D414,434 S \* 9/1999 Arney et al. .... D10/46.1  
D415,330 S \* 10/1999 King ..... D99/28  
D431,708 S \* 10/2000 McCormack et al. .... D99/28  
D436,999 S \* 1/2001 Cronley ..... D20/10  
6,381,744 B2 \* 4/2002 Nanos et al. .... 725/24  
D473,554 S \* 4/2003 Landerholm et al. .... D14/302  
D505,948 S \* 6/2005 Vrachan et al. .... D14/307  
D511,514 S \* 11/2005 Sonetaka et al. .... D14/307  
7,130,889 B2 \* 10/2006 Goodwin et al. .... 709/218

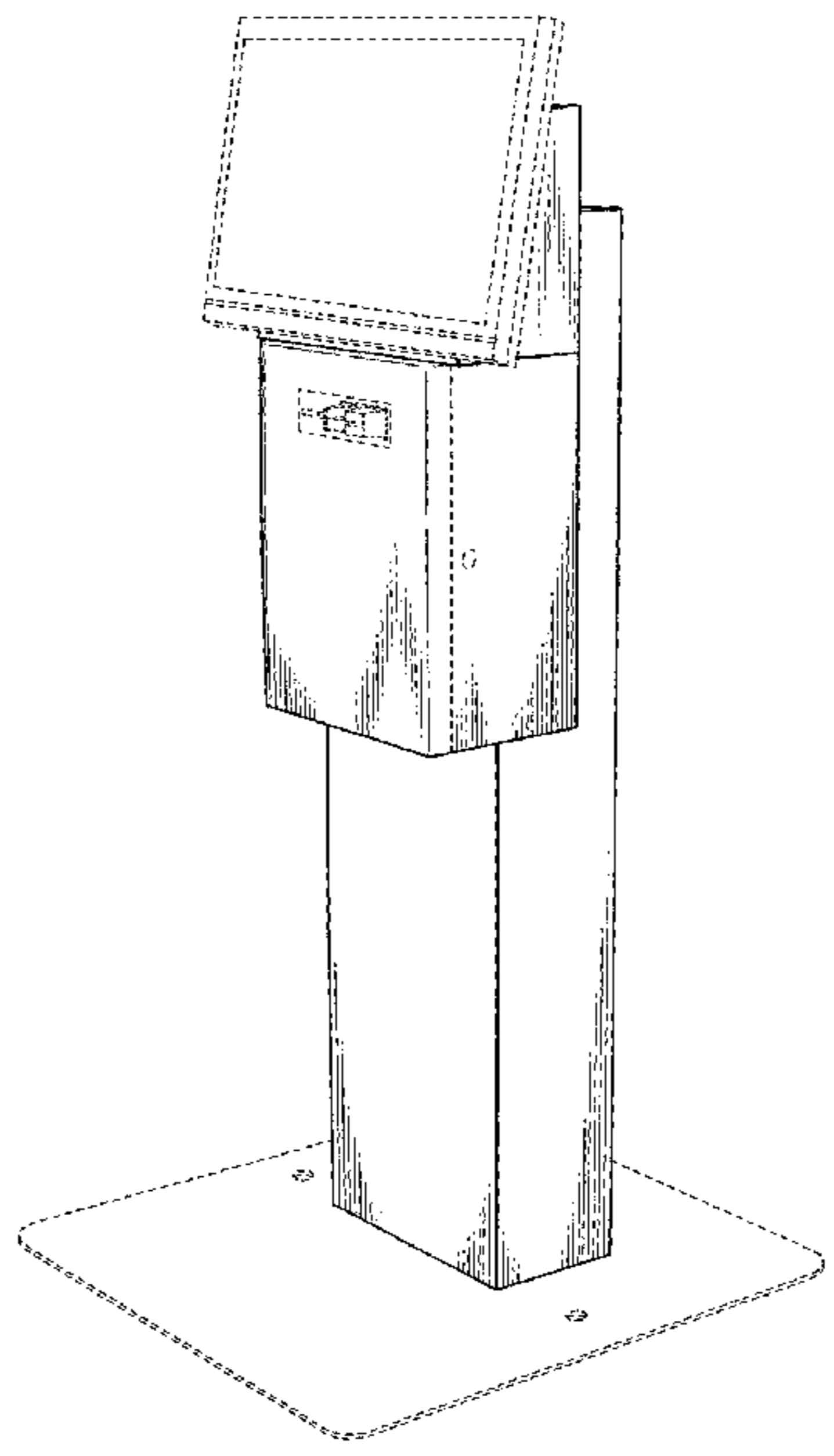


Fig. 1

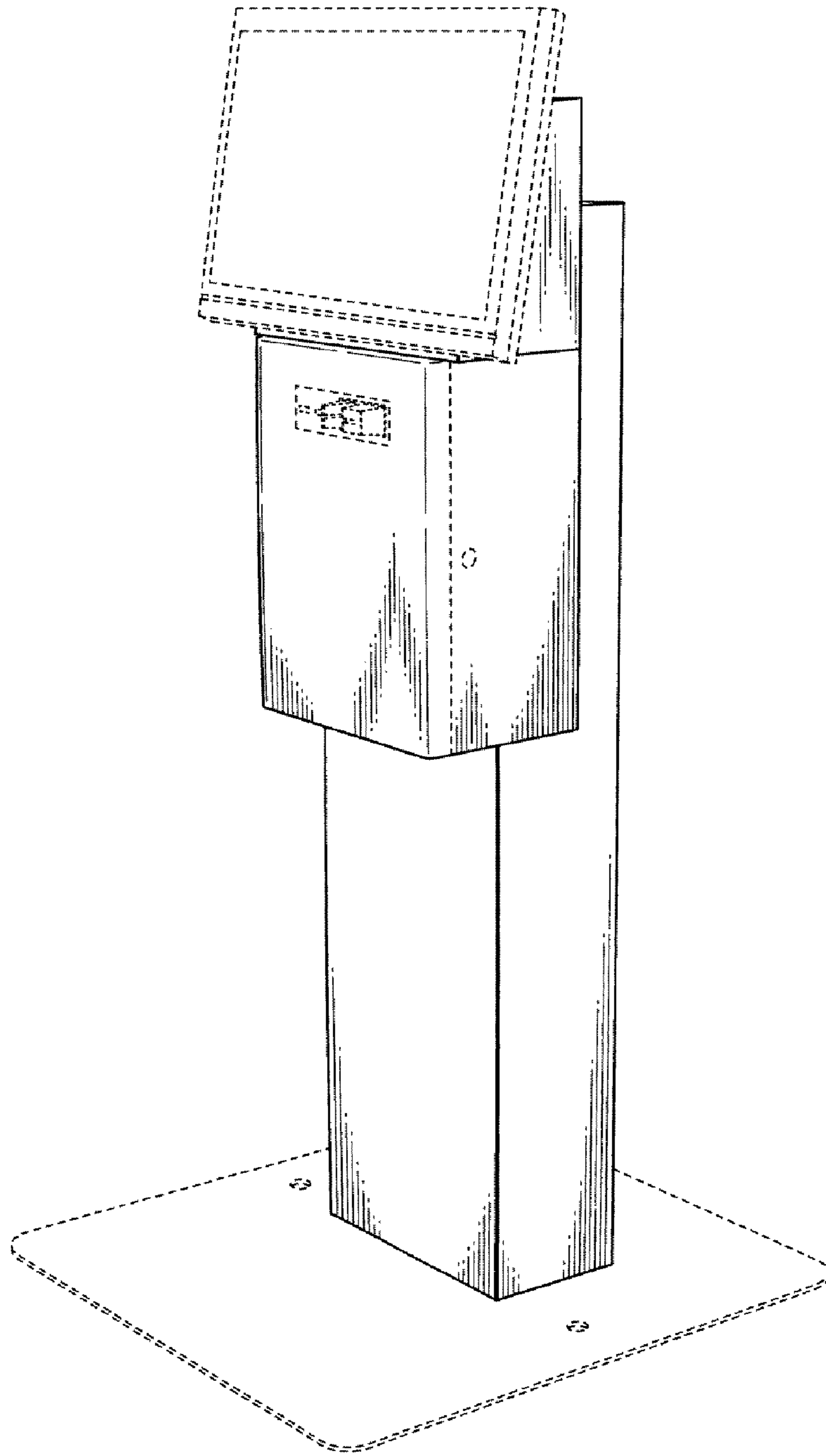


Fig.2

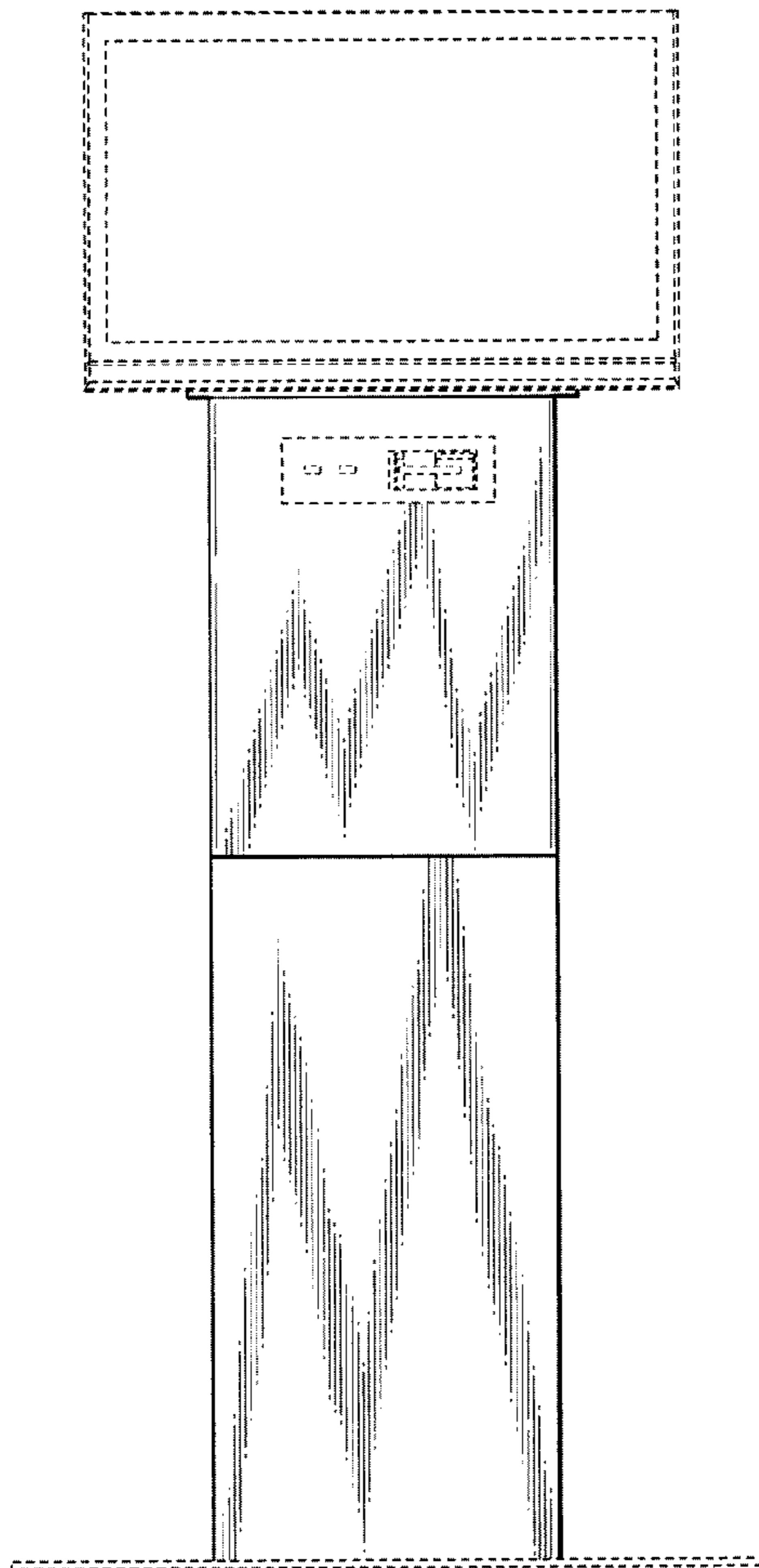


Fig.3



Fig.4

Fig.5

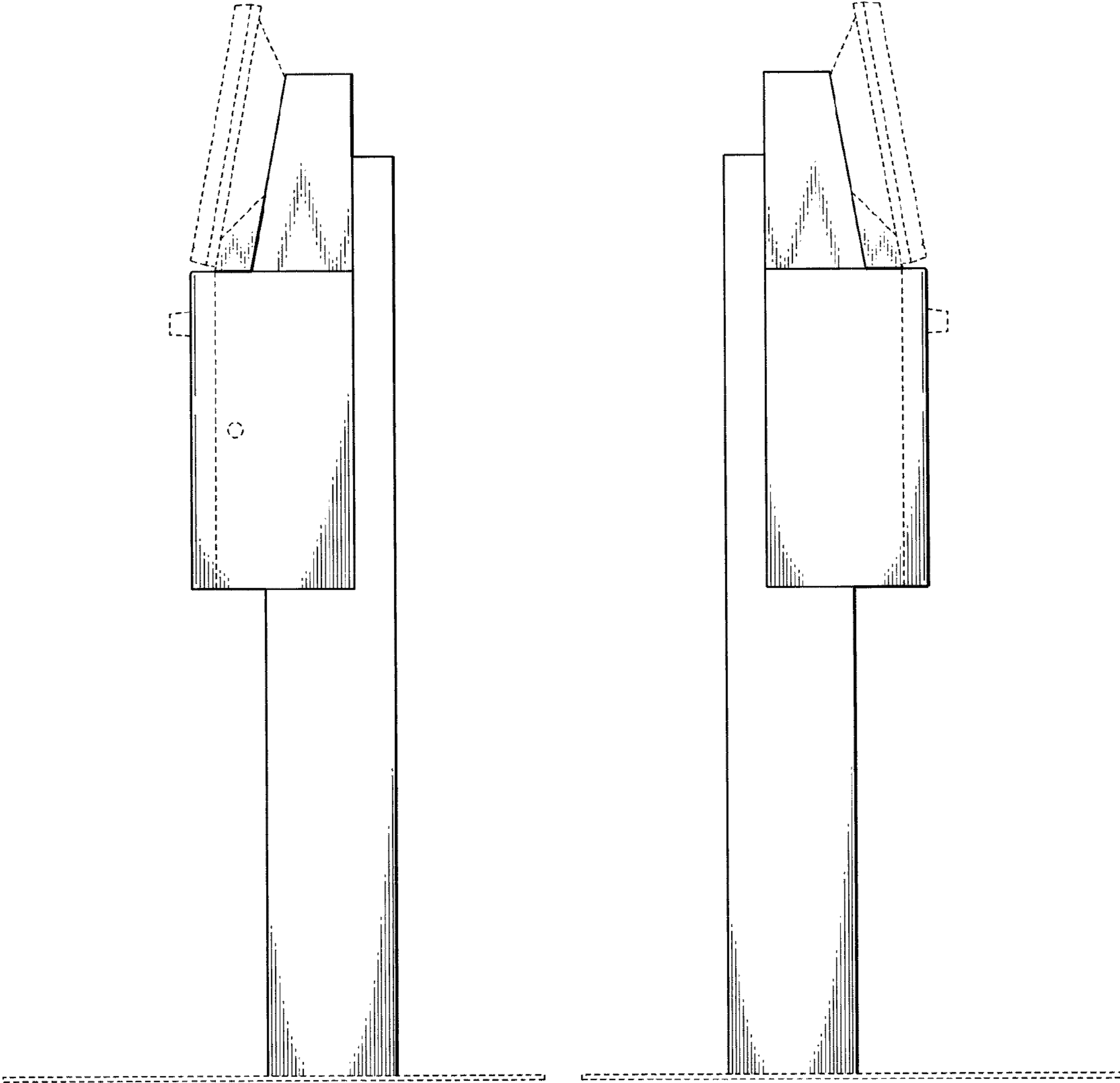


Fig.6

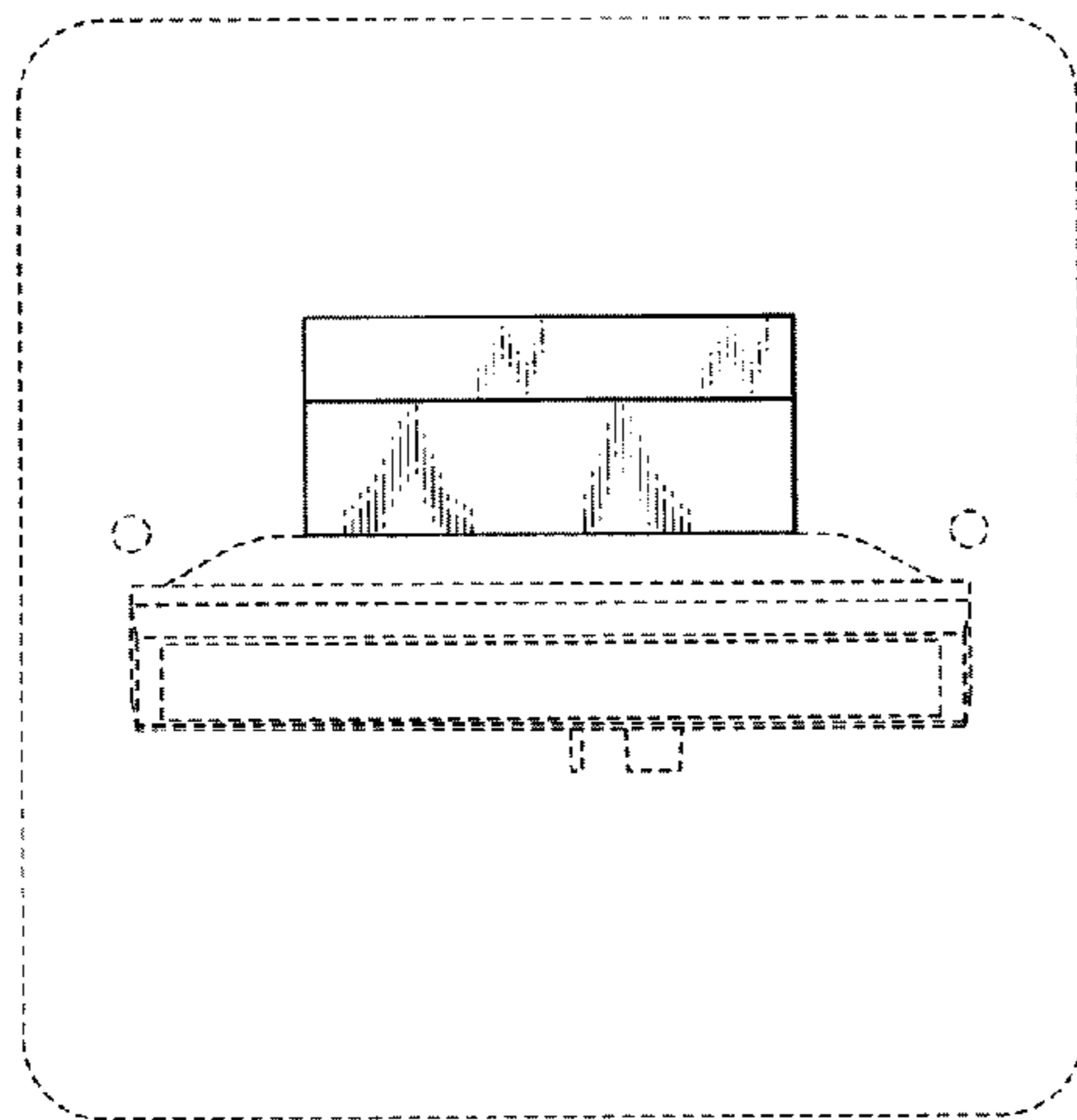


Fig.7

