



US00D661291S

(12) **United States Design Patent**
Renukanand et al.

(10) **Patent No.:** **US D661,291 S**
(45) **Date of Patent:** **** Jun. 5, 2012**

(54) **WEB STATION**

(76) Inventors: **Gubbi Umesh Renukanand**, Selangor (MY); **Muhamad Azlan Hassan**, Kuala Lumpur (MY); **Faizal Bin Sanusi**, Selangor (MY); **Meng Wee Phang**, Selangor (MY)

(**) Term: **14 Years**

(21) Appl. No.: **29/376,667**

(22) Filed: **Oct. 8, 2010**

(51) **LOC (9) Cl.** **14-02**

(52) **U.S. Cl.** **D14/307**

(58) **Field of Classification Search** D14/302-307, D14/900-902; D13/163; D20/10; D21/332, D21/325, 369, 370; D99/28; D6/397, 466; 194/206; 361/679.01, 679.02, 679.04, 679.21, 361/679.57, 725

See application file for complete search history.

D451,916 S * 12/2001 Bradley et al. D14/305
D483,379 S * 12/2003 Becker et al. D14/302
D511,160 S * 11/2005 Thompson D14/302
7,113,088 B2 * 9/2006 Frick et al. 340/539.11
7,130,889 B2 * 10/2006 Goodwin et al. 709/218
D541,267 S * 4/2007 Sagen et al. D14/307
D587,254 S * 2/2009 Morello D14/239
D587,255 S * 2/2009 Morello D14/239
D597,975 S * 8/2009 Ohno D14/126
D600,945 S * 9/2009 Kelsen D6/449
D605,189 S * 12/2009 Kuroda D14/307
2007/0143341 A1 * 6/2007 Brownell et al. 707/104.1
2007/0272743 A1 * 11/2007 Christie et al. 235/381
2008/0255901 A1 * 10/2008 Carroll et al. 705/7

* cited by examiner

Primary Examiner — Deanna L Fluegeman

(74) *Attorney, Agent, or Firm* — San Diego IP Law Group LLP

(57) **CLAIM**

We claim the ornamental design for a web station, as shown and described.

(56) **References Cited**

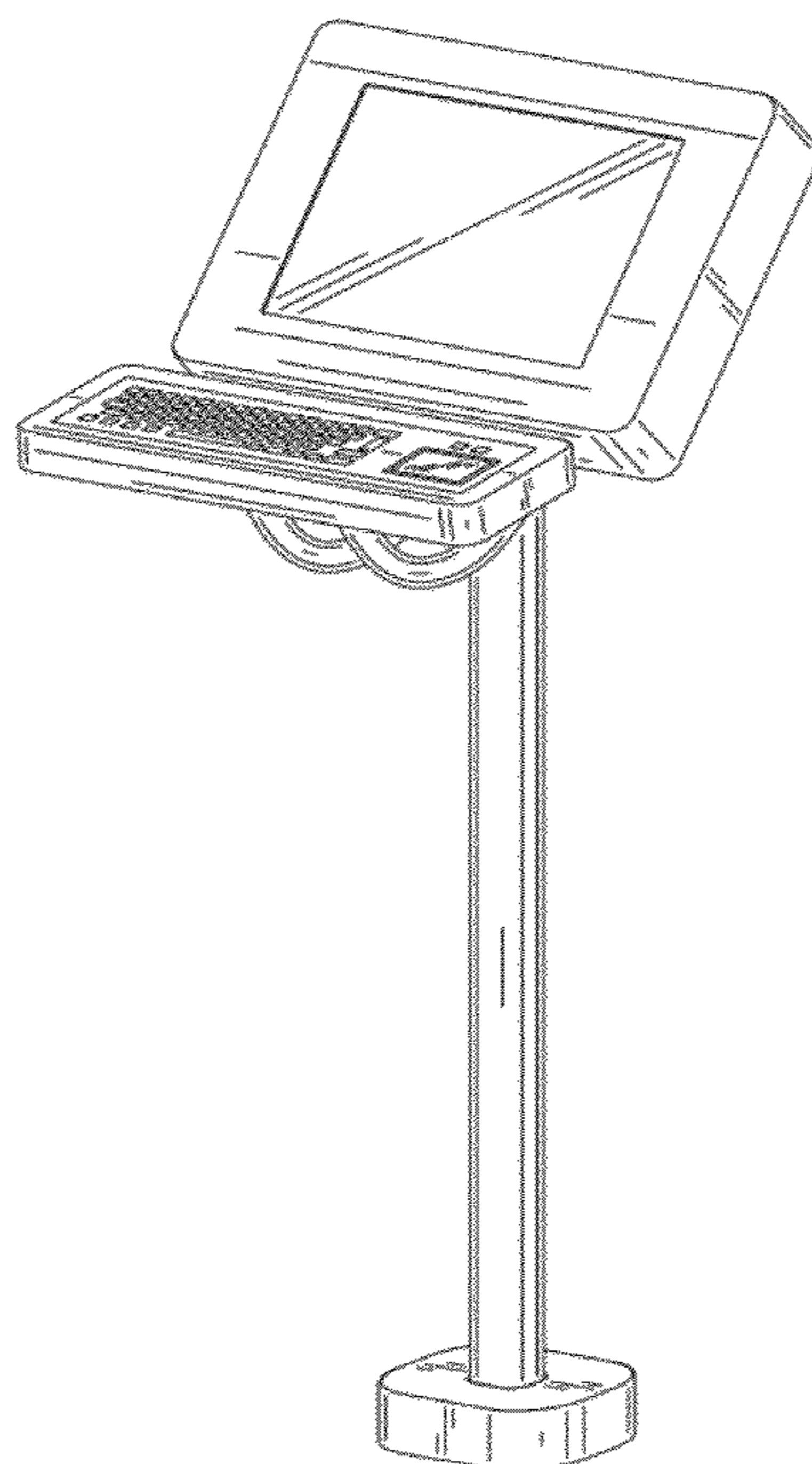
U.S. PATENT DOCUMENTS

D211,579 S * 7/1968 Cordes, Jr. D14/307
D373,584 S * 9/1996 Anand D14/126
D378,534 S * 3/1997 Kato et al. D20/10
D388,055 S * 12/1997 Mariotta D13/163
D399,493 S * 10/1998 Nakajima et al. D13/163
D416,208 S * 11/1999 Arney et al. D10/46.1
D416,707 S * 11/1999 Plainfield D6/419
D417,893 S * 12/1999 Hunter et al. D20/10
D422,568 S * 4/2000 Brunetti D14/302
D433,679 S * 11/2000 Bradley et al. D14/305
D442,560 S * 5/2001 Price et al. D13/163
D442,966 S * 5/2001 Cabric D14/447

DESCRIPTION

FIG. 1 is a perspective view of the web station according to the invention;
FIG. 2 is a front view of the web station as shown in FIG. 1;
FIG. 3 is a rear view of the web station as shown in FIG. 1;
FIG. 4 is a side view of the web station as shown in FIG. 1;
FIG. 5 is an opposite side view of the web station as shown in FIG. 4;
FIG. 6 is a top view of the web station as shown in FIG. 1; and,
FIG. 7 is a bottom view of the web station as shown in FIG. 1.

1 Claim, 4 Drawing Sheets



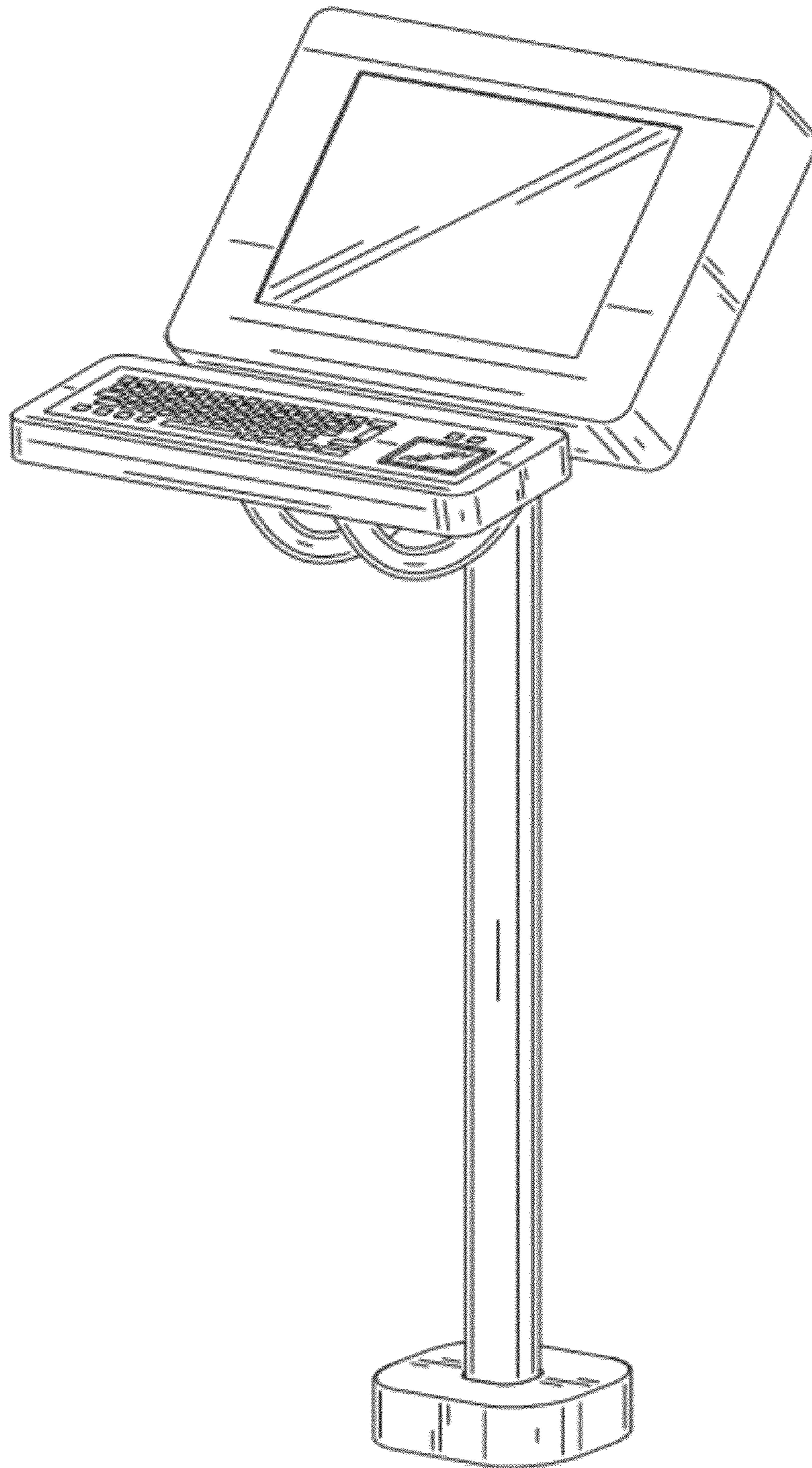


FIG. 1

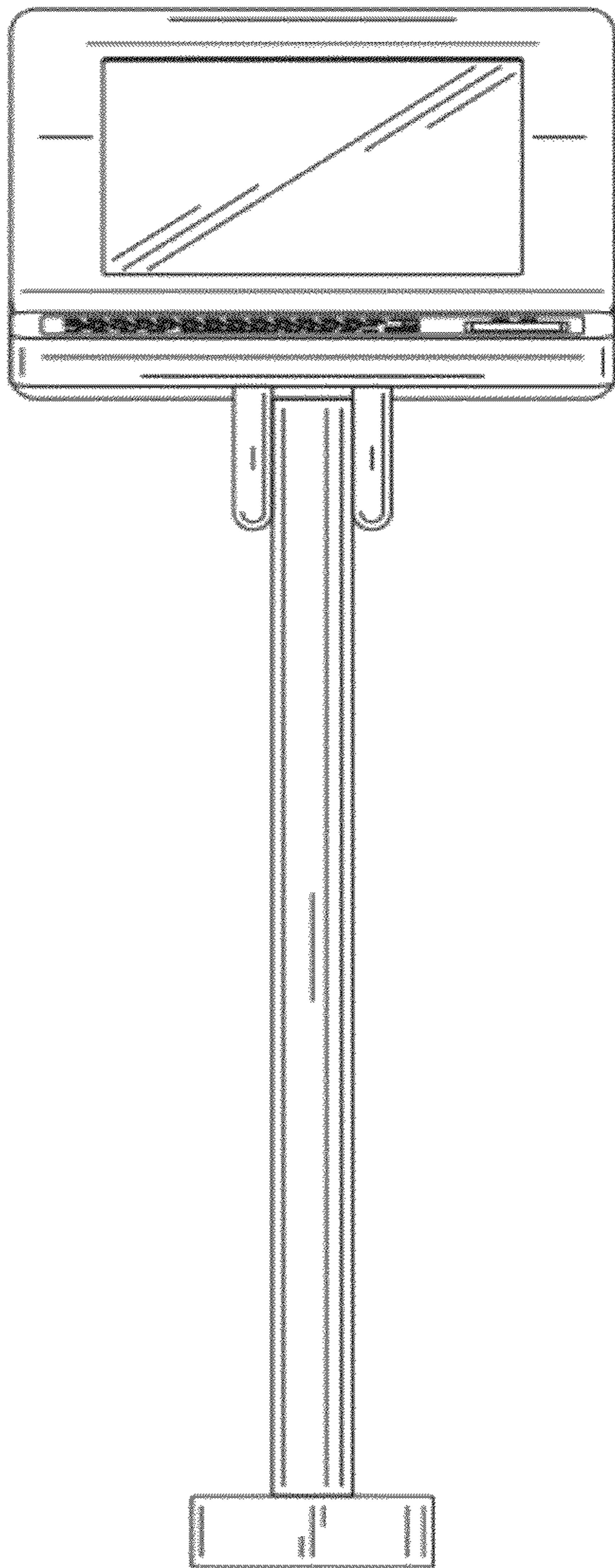


FIG. 2

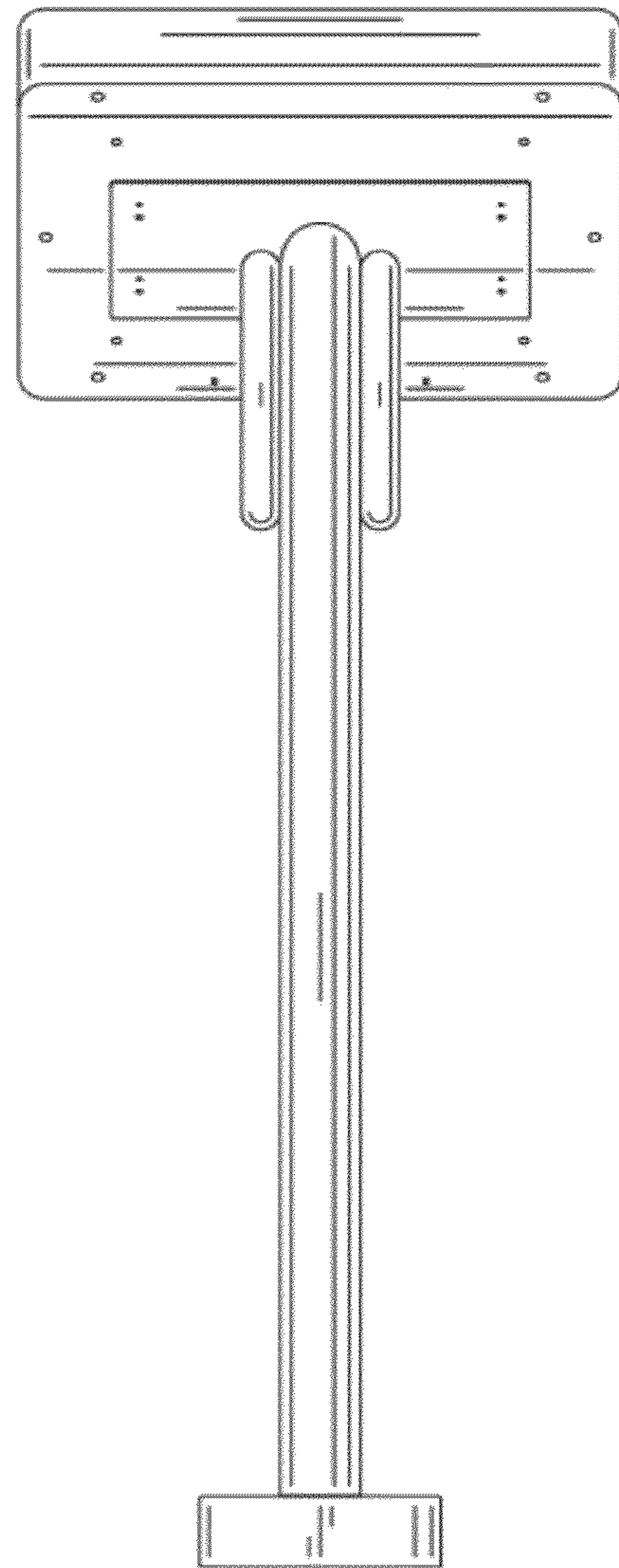


FIG. 3

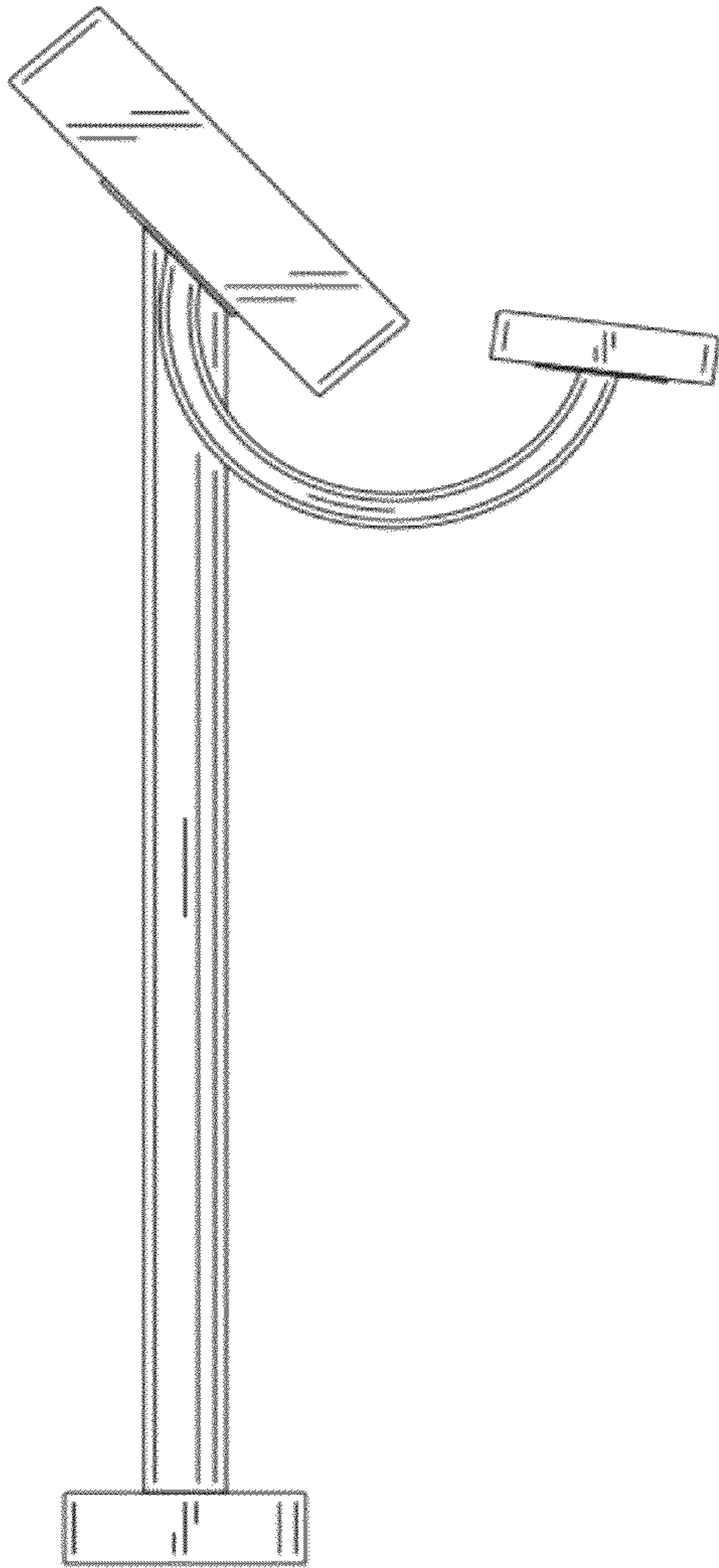


FIG. 4

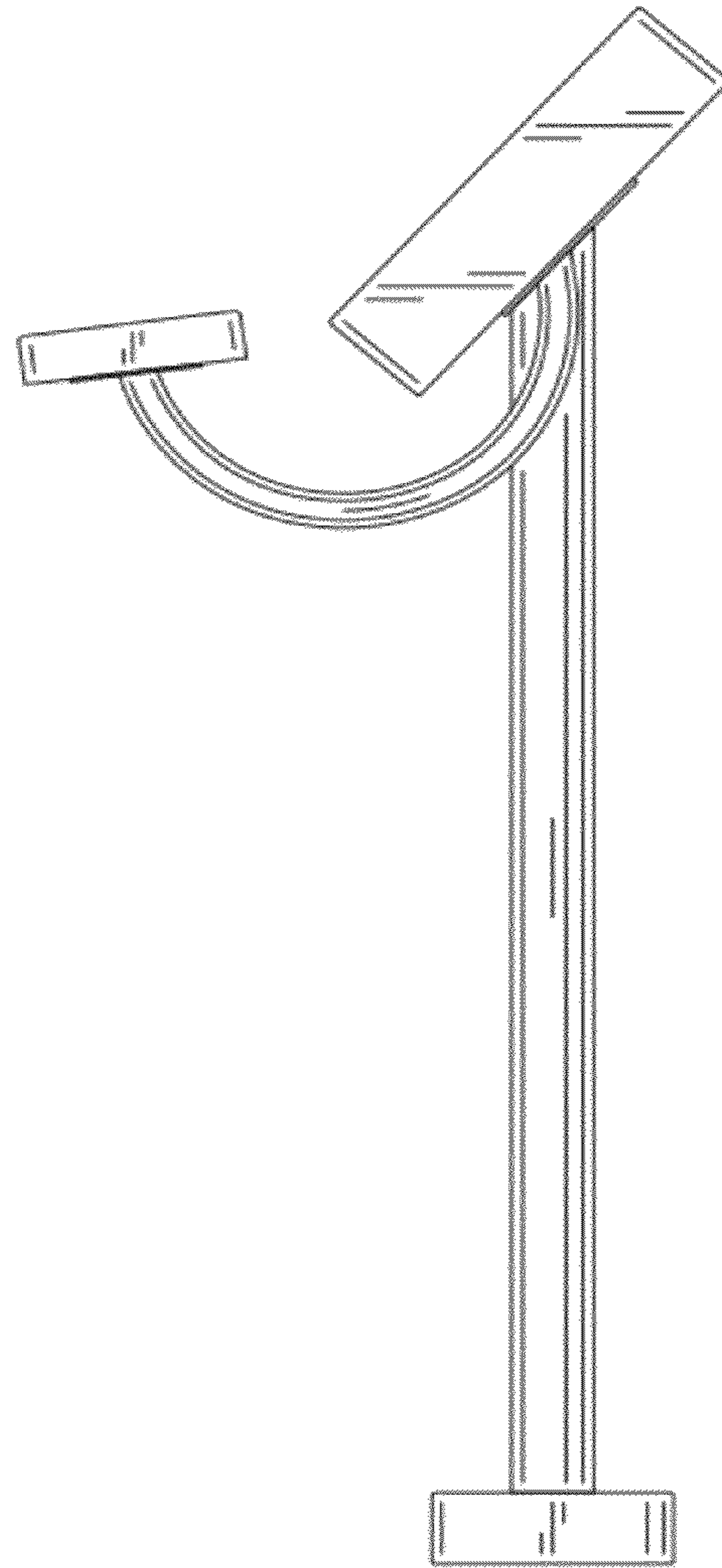


FIG. 5

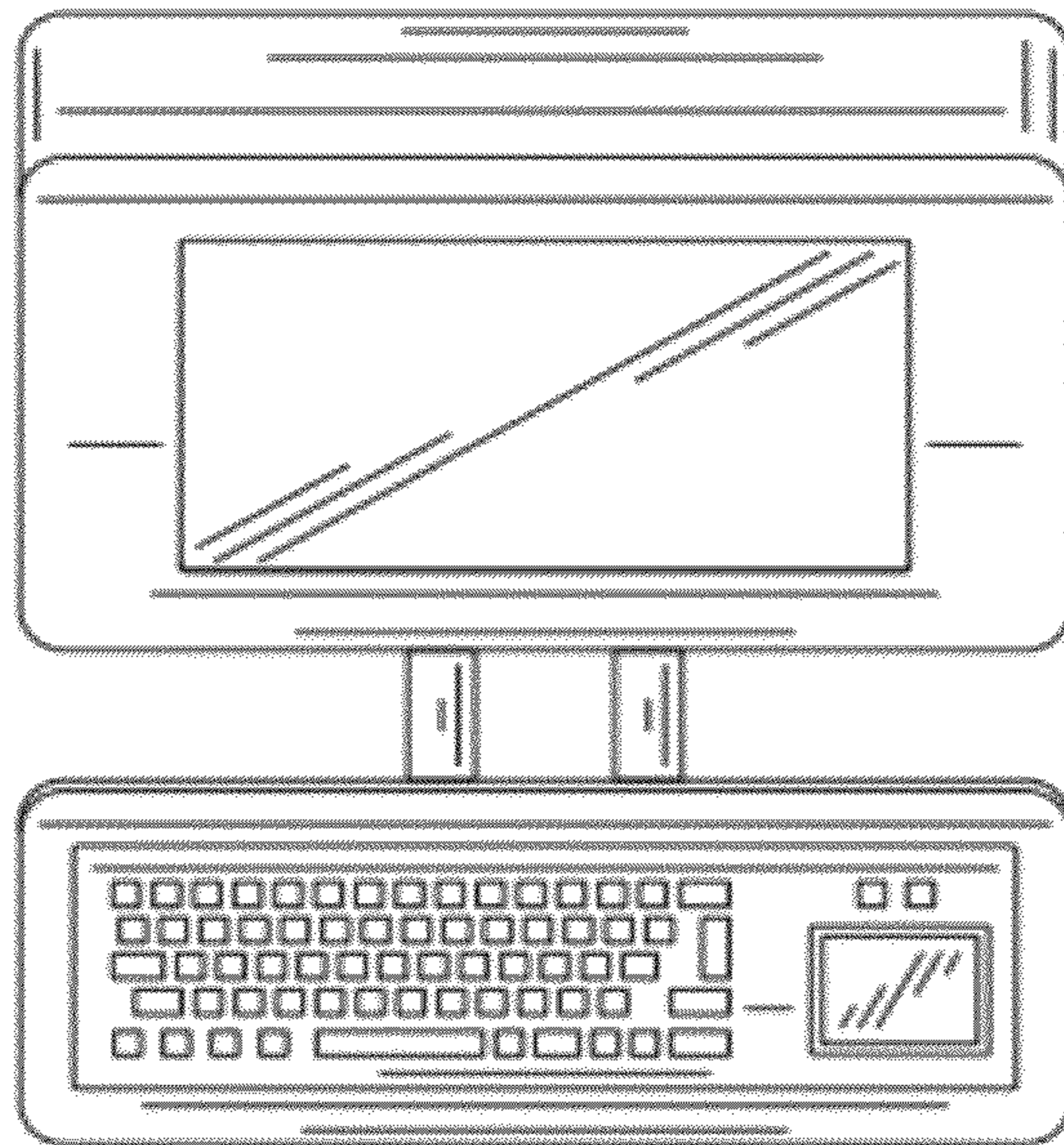


FIG. 6

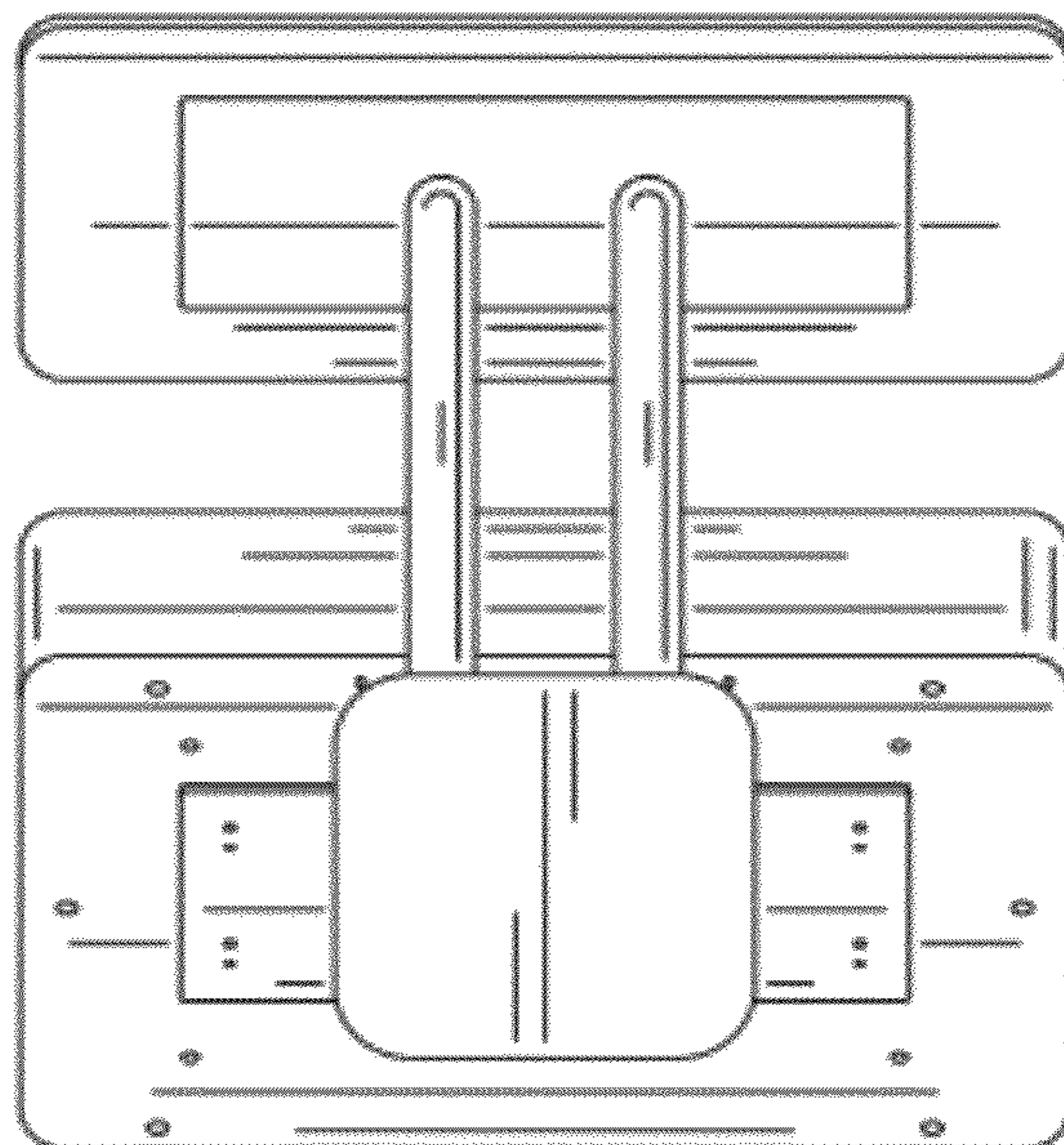


FIG. 7