

US00D661288S

(12) **United States Design Patent**  
**Wang**

(10) **Patent No.:** **US D661,288 S**  
(45) **Date of Patent:** **\*\* Jun. 5, 2012**

- (54) **SET OF HANDSET KEYS**
- (75) Inventor: **Jing Wang**, Beijing (CN)
- (73) Assignee: **Nokia Corporation**, Espoo (FI)
- (\*\*) Term: **14 Years**
- (21) Appl. No.: **29/407,211**
- (22) Filed: **Nov. 23, 2011**
- (51) **LOC (9) Cl.** ..... **14-03**
- (52) **U.S. Cl.** ..... **D14/247**
- (58) **Field of Classification Search** ..... D14/138 AA,  
D14/138 R, 138 C, 496, 346, 203.1, 203.4,  
D14/203.7, 147, 148, 218, 426, 138 AD,  
D14/138 AC, 247, 248, 455, 456, 341; D21/517;  
455/575.1, 556.2, 575.4, 575.3; 379/433.01,  
379/433.04; D13/168  
See application file for complete search history.

(56) **References Cited**

**U.S. PATENT DOCUMENTS**

D532,767 S *	11/2006	Yoshino et al. ....	D14/138 AA
D547,296 S *	7/2007	Lin .....	D14/138 AD
D548,218 S *	8/2007	Hong et al. ....	D14/138 AA
D562,315 S	2/2008	Lyles	
D565,042 S *	3/2008	Scales et al. ....	D14/248
D572,715 S *	7/2008	Gloschia et al. ....	D14/455
D582,372 S *	12/2008	Lee et al. ....	D14/138 AA
D588,603 S *	3/2009	Matsuoka .....	D14/456
D589,947 S *	4/2009	Turner .....	D14/247
D593,570 S *	6/2009	Wun et al. ....	D14/455
D596,153 S	7/2009	Turner	
7,565,183 B2 *	7/2009	Vance et al. ....	455/575.1
D597,539 S	8/2009	Nenonen	
D600,231 S *	9/2009	Lee et al. ....	D14/138 AA
D601,117 S *	9/2009	Hong et al. ....	D14/138 AA
D601,533 S *	10/2009	Youn et al. ....	D14/138 AA
D602,925 S *	10/2009	Rouger .....	D14/247
D605,644 S	12/2009	Stone et al.	
D606,062 S	12/2009	Stone et al.	
D607,430 S *	1/2010	Song et al. ....	D14/138 AB
D610,115 S *	2/2010	Seo et al. ....	D14/138 AA
D610,117 S *	2/2010	Kim et al. ....	D14/138 AA

D610,118 S *	2/2010	Boucquey et al. ....	D14/138 AA
D615,056 S *	5/2010	Kim et al. ....	D14/138 AB
D615,520 S *	5/2010	Kim et al. ....	D14/138 AA
D617,752 S	6/2010	Montin	
D617,764 S *	6/2010	Liu et al. ....	D14/138 AD
D621,392 S *	8/2010	Matsuoka .....	D14/248
D622,247 S *	8/2010	Kwon et al. ....	D14/138 AA
D626,929 S *	11/2010	Ge .....	D14/138 AB
D627,751 S *	11/2010	Kim et al. ....	D14/138 AB
D630,200 S *	1/2011	Ruohonen et al. ....	D14/248
D636,363 S	4/2011	Stillerman et al.	
D642,153 S *	7/2011	Nilsen et al. ....	D14/138 AA
D643,828 S *	8/2011	Chen .....	D14/138 AA
D647,869 S *	11/2011	Huang .....	D14/138 AA
2008/0039156 A1 *	2/2008	Lee et al. ....	455/575.1

(Continued)

**OTHER PUBLICATIONS**

Nokia Asha 302 telephone, announced Feb. 2012, [online], [site visited Mar. 23, 2012]. Available from Internet, <URL: <http://www.gsmarena.com>>.\*

(Continued)

*Primary Examiner* — Jeffrey D Asch

(74) *Attorney, Agent, or Firm* — Banner & Witcoff, Ltd.

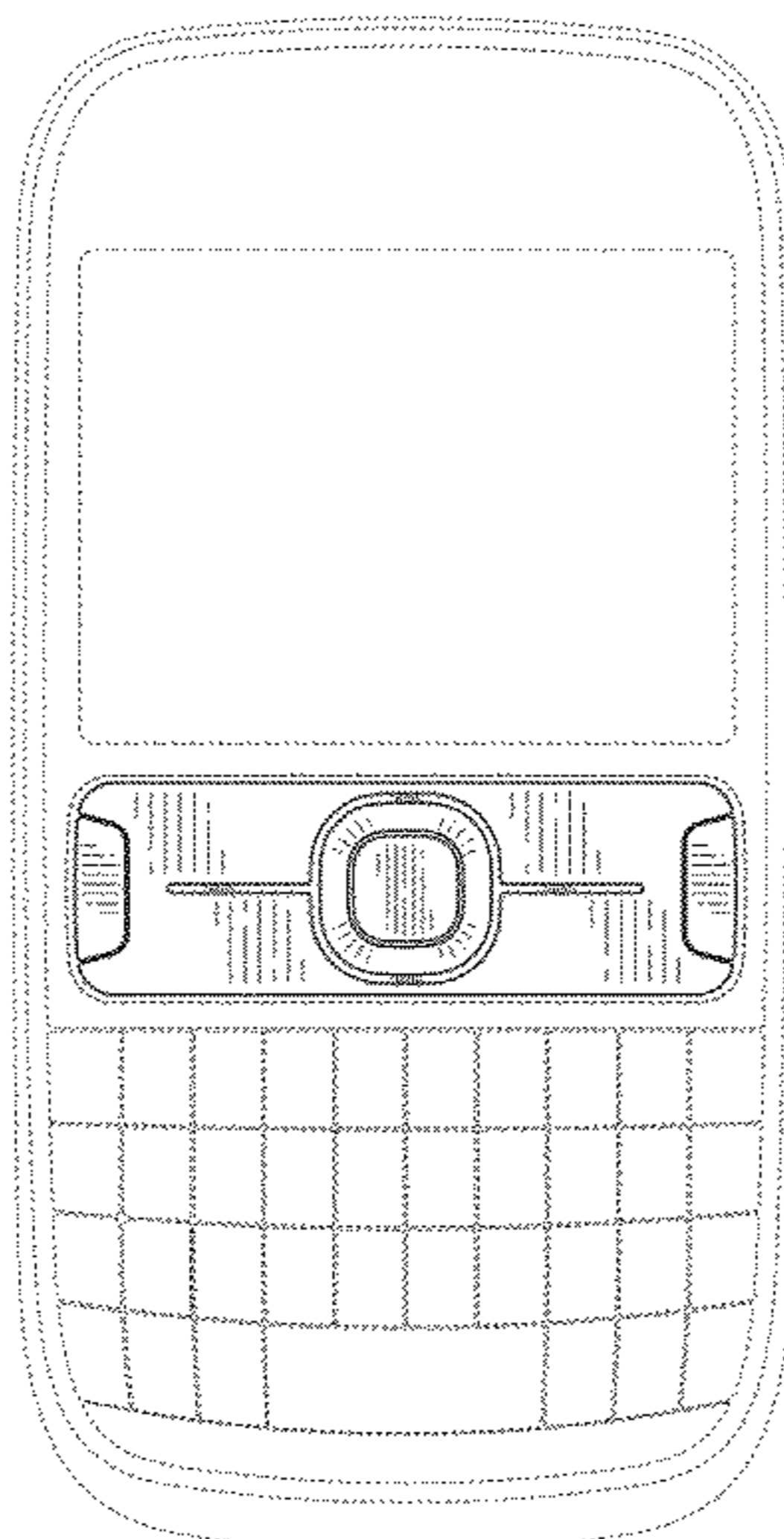
(57) **CLAIM**

The ornamental design for a set of handset keys, as shown and described.

**DESCRIPTION**

FIG. 1 is a perspective view of a set of handset keys showing my new design;  
FIG. 2 is a front view thereof;  
FIG. 3 is a left side view thereof;  
FIG. 4 is a right side view thereof;  
FIG. 5 is a top view thereof; and,  
FIG. 6 is a bottom view thereof.  
The broken-line showing of the environmental structure of the handset is for illustrative purposes only and forms no part of the claimed design.

**1 Claim, 4 Drawing Sheets**



U.S. PATENT DOCUMENTS

2008/0293459 A1\* 11/2008 Wang ..... 455/575.3

OTHER PUBLICATIONS

Huawei U9130 Compass telephone, announced Dec. 2009, [online], [site visited Mar. 23, 2012]. Available from Internet, <URL: <http://www.gsmarena.com>>.\*

ZTE V821 telephone, announced Jun. 2011, [online], [site visited Mar. 23, 2012]. Available from Internet, <URL: <http://www.gsmarena.com>>.\*

Samsung C6620 telephone, announced Oct. 2008, [online], [site visited Mar. 23, 2012]. Available from Internet, <URL: <http://www.gsmarena.com>>.\*

Nokia 5510 by Nokia Corporation, 1 full page of color photograph, disclosed on or about 4th quarter 2001.

Nokia E61 by Nokia Corporation, 1 full page of color photograph, disclosed on or about Oct. 2005.

Nokia E62 by Nokia Corporation, 1 full page of color photograph, disclosed on or about Sep. 2006.

Nokia E61i by Nokia Corporation, 1 full page of color photograph, disclosed on or about Feb. 2007.

Nokia 5320 by Nokia Corporation, 1 full page of color photograph, disclosed on or about Apr. 2008.

Nokia E71 by Nokia Corporation, 1 full page of color photograph, disclosed on or about Jun. 2008.

Nokia E63 by Nokia Corporation, 1 full page of color photograph, disclosed on or about Nov. 2008.

Nokia E55 by Nokia Corporation, 1 full page of color photograph, disclosed on or about Feb. 2009.

Nokia E72 by Nokia Corporation, 1 full page of color photograph, disclosed on or about Jun. 2009.

Nokia E5 by Nokia Corporation, 1 full page of color photograph, disclosed on or about Apr. 2010.

Nokia C3 by Nokia Corporation, 1 full page of color photograph, disclosed on or about Apr. 2010.

Nokia E73 Mode by Nokia Corporation, 1 full page of color photograph, disclosed on or about Jun. 2010.

Nokia X2-01 by Nokia Corporation, 1 full page of color photograph, disclosed on or about Nov. 2010.

Nokia E6 by Nokia Corporation, 1 full page of color photograph, disclosed on or about Feb. 2011.

Nokia 702T by Nokia Corporation, 1 full page of color photograph, disclosed on or about Jun. 2011.

Nokia Asha 200 by Nokia Corporation, 1 full page of color photograph, disclosed on or about Oct. 2011.

Nokia Asha 303 by Nokia Corporation, 1 full page of color photograph, disclosed on or about Oct. 2011.

\* cited by examiner



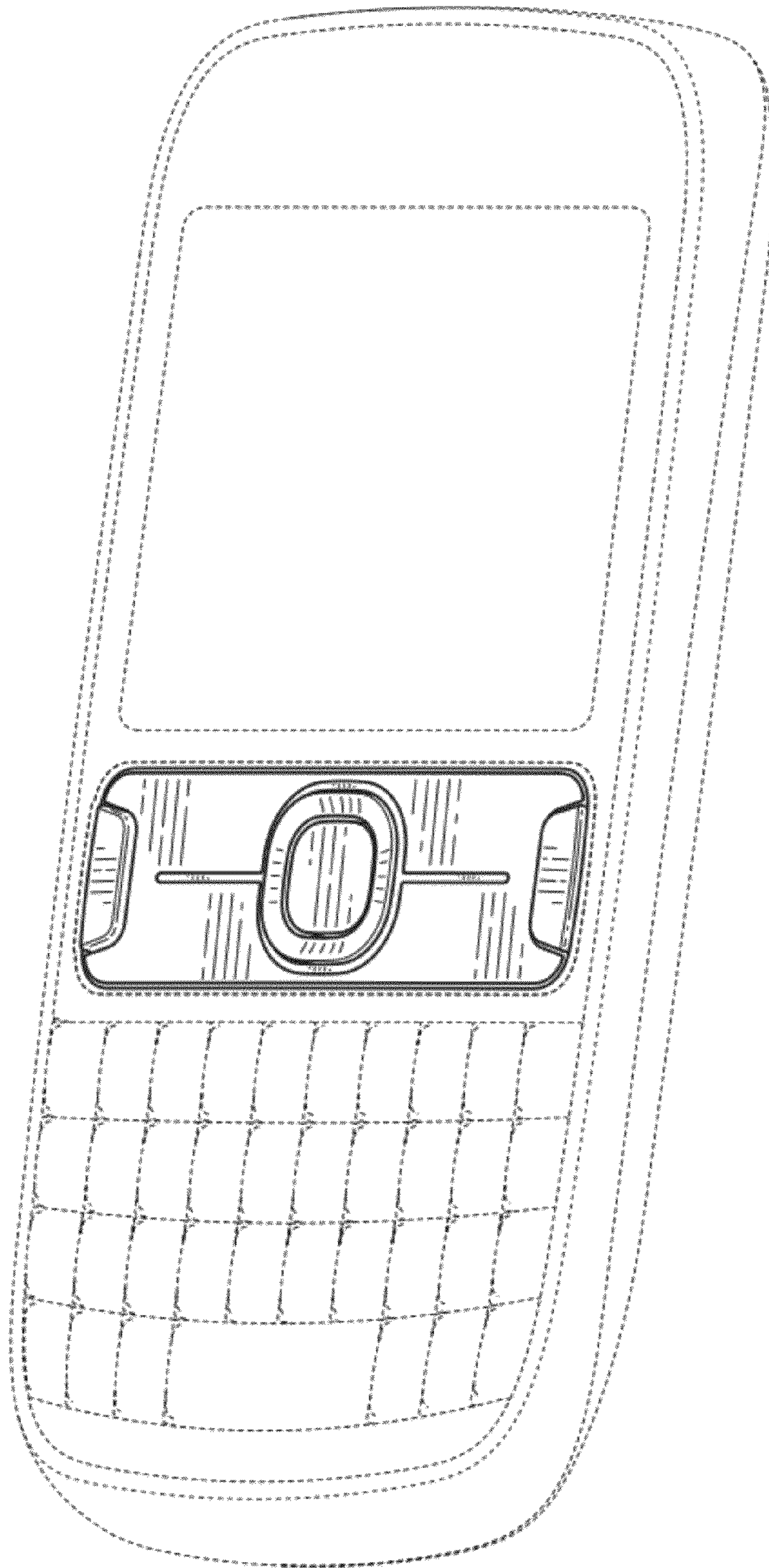


FIG. 1

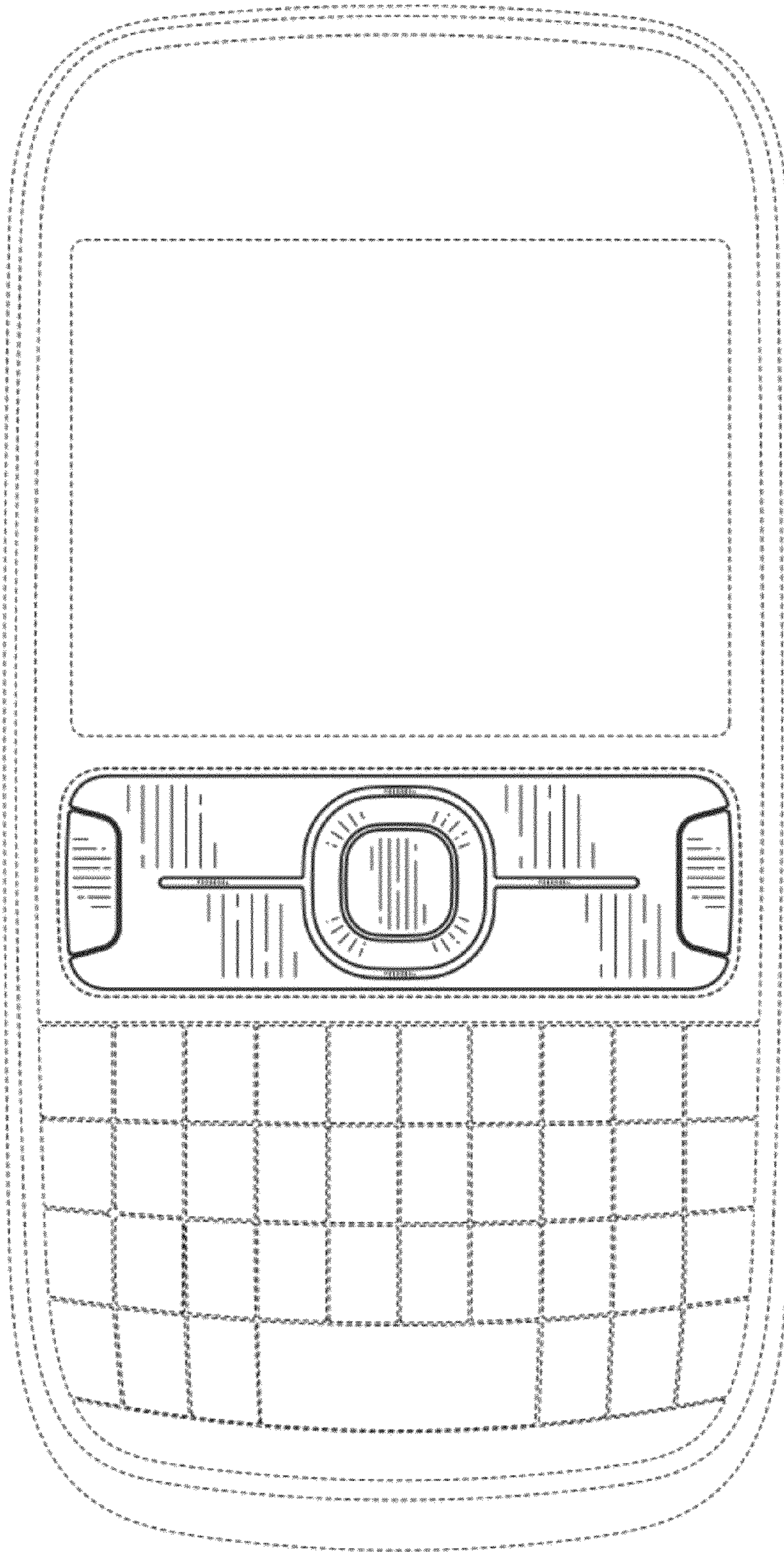


FIG. 2



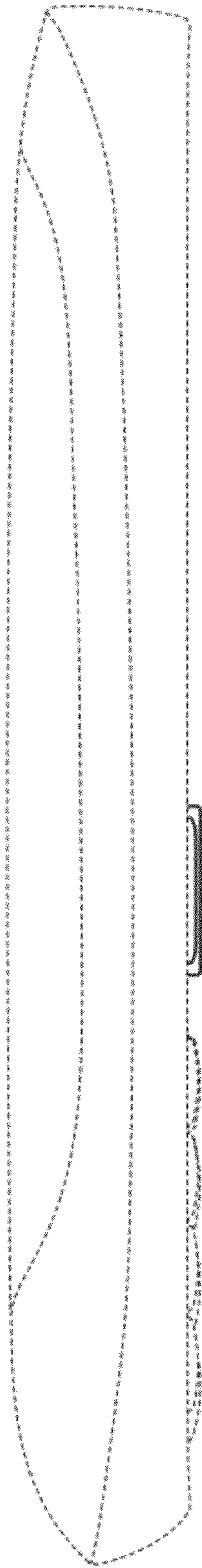


FIG. 3

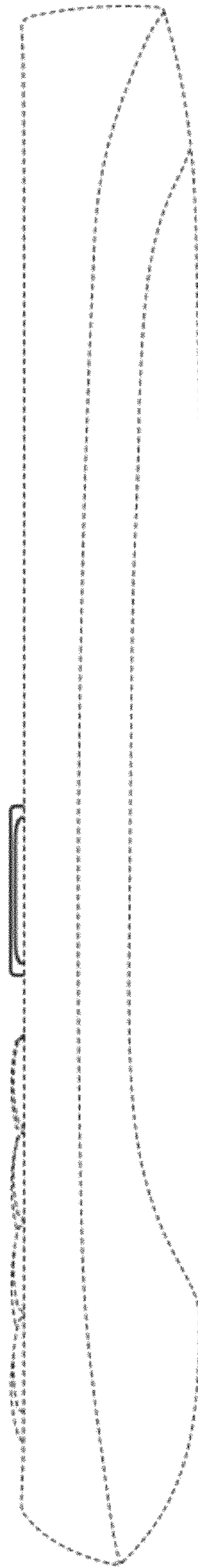


FIG. 4

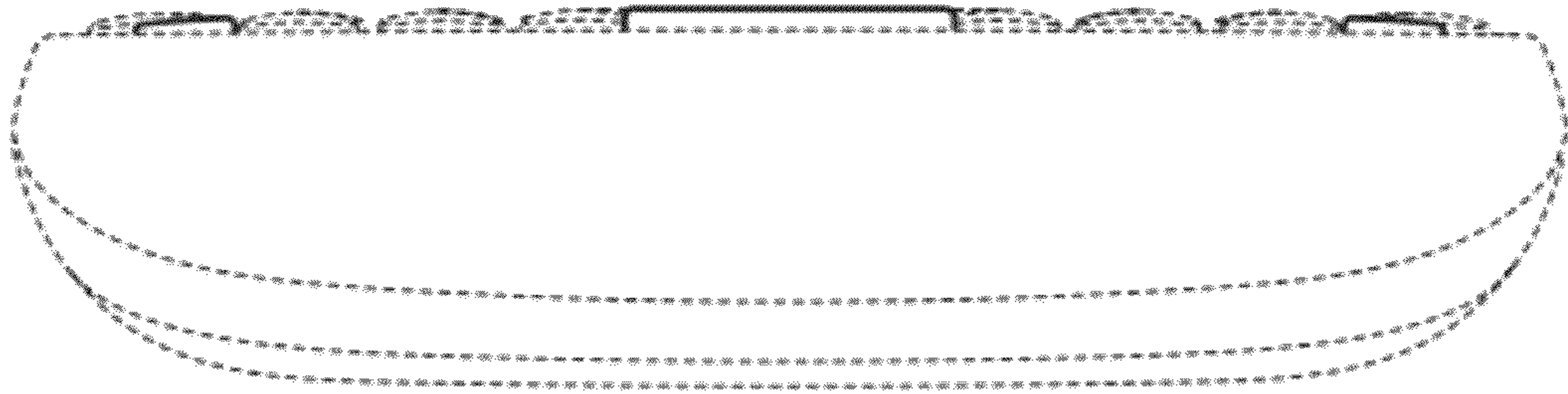


FIG. 5

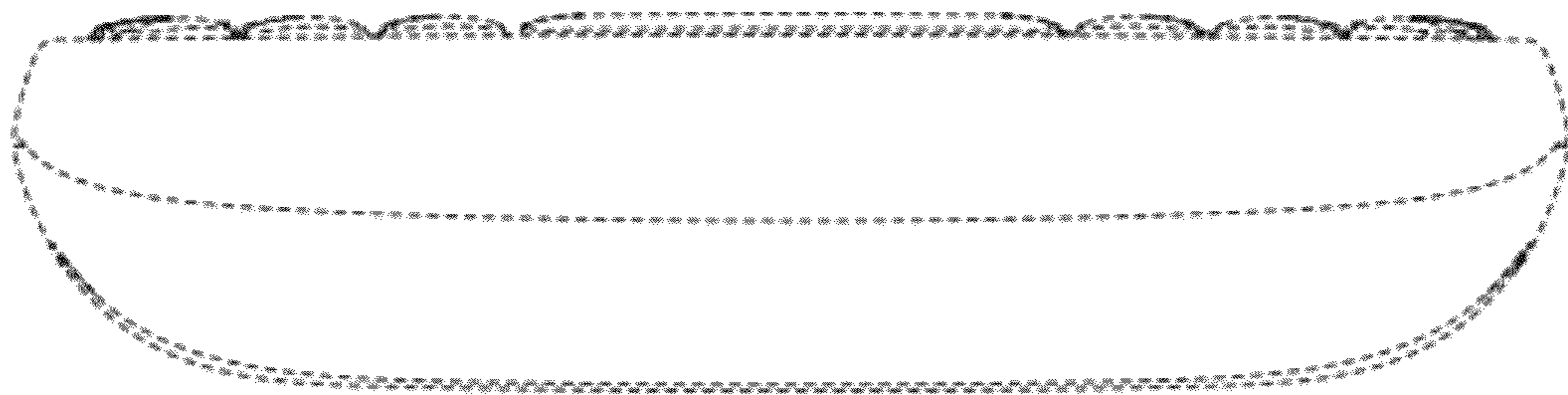


FIG. 6