



US00D661286S

(12) **United States Design Patent**
McManigal et al.

(10) **Patent No.:** **US D661,286 S**
(45) **Date of Patent:** **** Jun. 5, 2012**

(54) **WIRELESS HDMI TRANSMITTER**

(75) Inventors: **Scott McManigal**, Irvine, CA (US);
Wesley Millora, Irvine, CA (US)

(73) Assignee: **Vizio Inc.**, Irvine, CA (US)

(**) Term: **14 Years**

(21) Appl. No.: **29/394,052**

(22) Filed: **Jun. 13, 2011**

(51) **LOC (9) Cl.** **14-03**

(52) **U.S. Cl.** **D14/240**

(58) **Field of Classification Search** D14/240,
D14/242, 357, 358, 140-140.2, 140.5, 155,
D14/137, 348, 349, 351, 354, 355; 375/222;
455/557; 709/203, 217-250; 725/111
See application file for complete search history.

(56) **References Cited**

U.S. PATENT DOCUMENTS

D205,139 S *	6/1966	Joslow	D14/299
D272,443 S *	1/1984	Wong et al.	D14/155
D314,571 S *	2/1991	Dickson	D14/137
D327,061 S *	6/1992	Soren et al.	D14/138 R
D332,449 S *	1/1993	Watanabe	D14/138 R
D568,862 S *	5/2008	Kim et al.	D14/138 AB
D599,761 S *	9/2009	Birsel et al.	D14/138 R
D630,605 S *	1/2011	Li	D14/138 AB
8,005,518 B1 *	8/2011	Birsel et al.	455/575.1

2006/0100004 A1 *	5/2006	Kim et al.	455/575.3
2007/0072657 A1 *	3/2007	Hyun et al.	455/575.3
2008/0167095 A1 *	7/2008	Kim et al.	455/575.3
2012/0000398 A1 *	1/2012	Sween et al.	108/43

* cited by examiner

Primary Examiner — Bridget L Eland

(74) *Attorney, Agent, or Firm* — Law Office of Scott C. Harris, Inc.

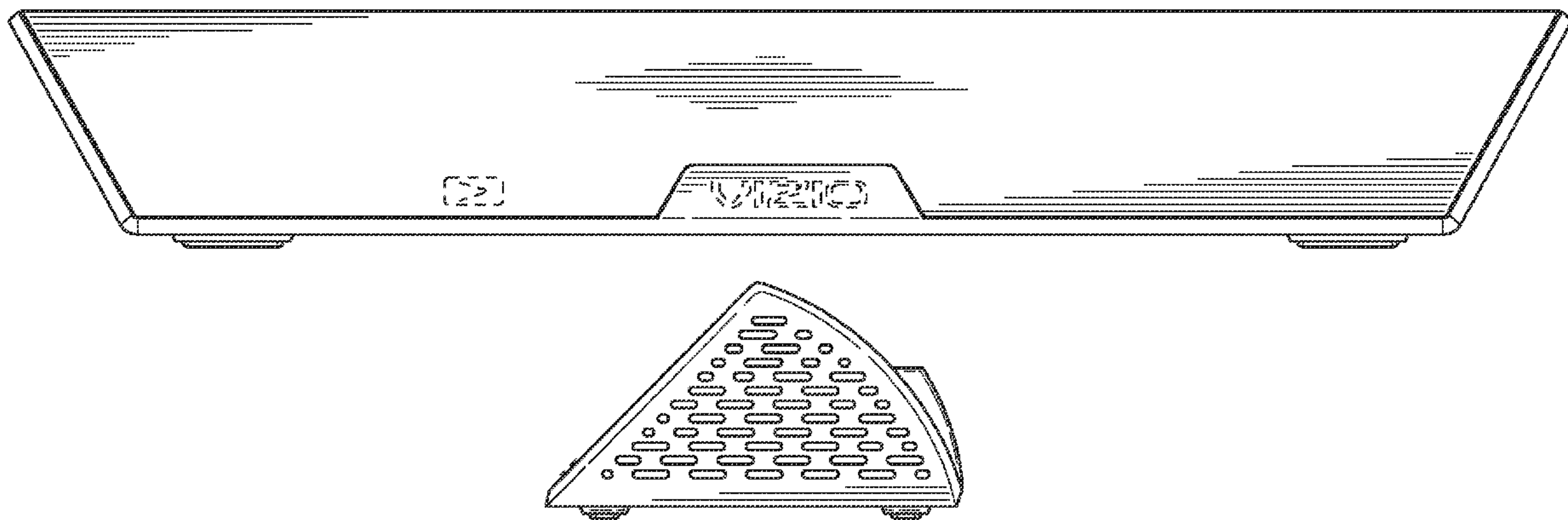
(57) **CLAIM**

The ornamental design for a wireless HDMI transmitter, as shown and described.

DESCRIPTION

FIG. 1 is a perspective view of a wireless HDMI transmitter; FIG. 2 is a front view of the wireless HDMI transmitter; FIG. 3 is a back view of the wireless HDMI transmitter; FIG. 4 is a first side view of the wireless HDMI transmitter; FIG. 5 is a second side view of the wireless HDMI transmitter; FIG. 6 is a top view of the wireless HDMI transmitter; and, FIG. 7 is a bottom view of the wireless HDMI transmitter. The broken lines immediately adjacent the shaded areas represent the bounds of the claimed design while all other broken lines are directed to environment and are for illustrative purposes only; the broken lines form no part of the claimed design.

1 Claim, 3 Drawing Sheets



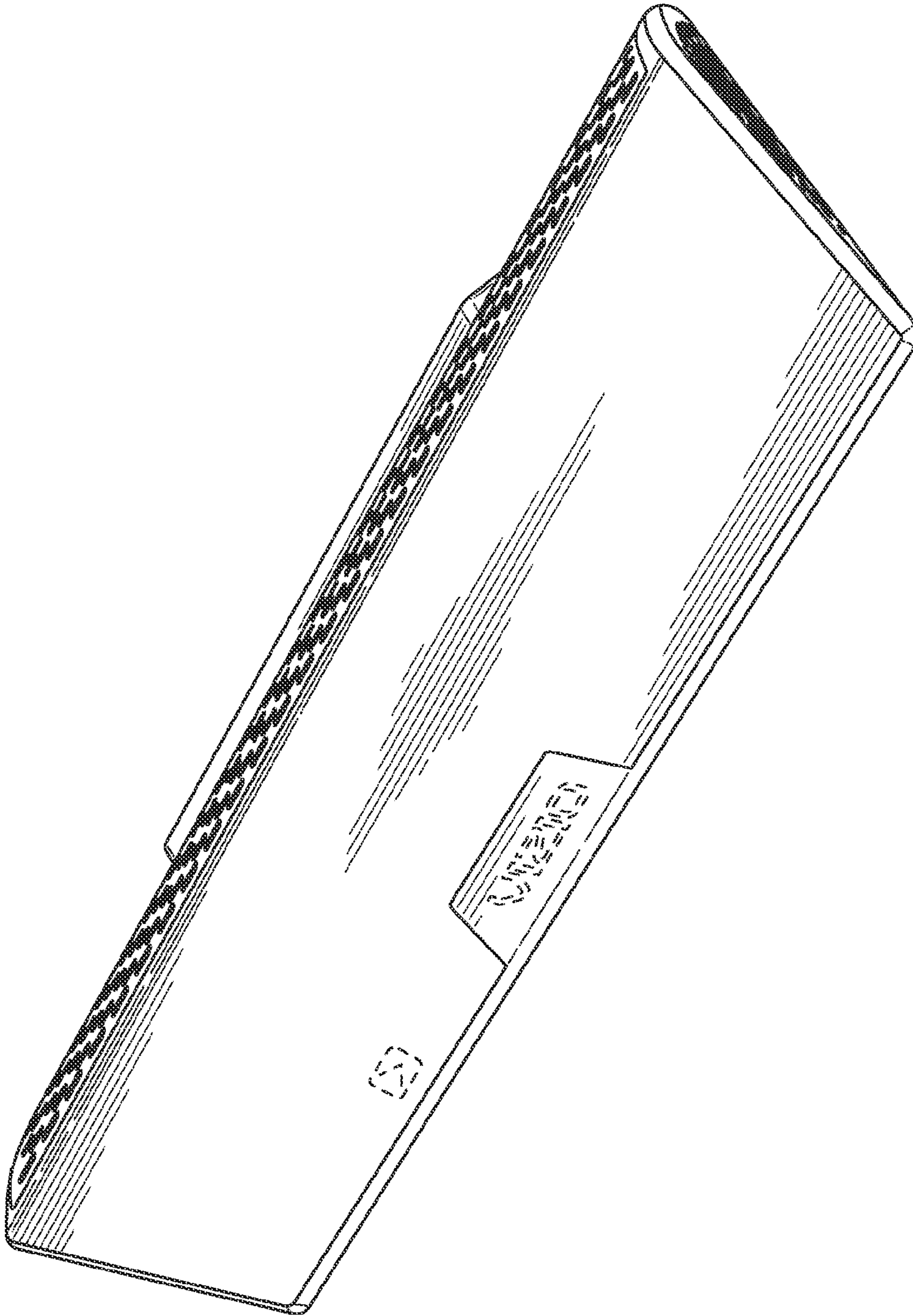


FIG. 1

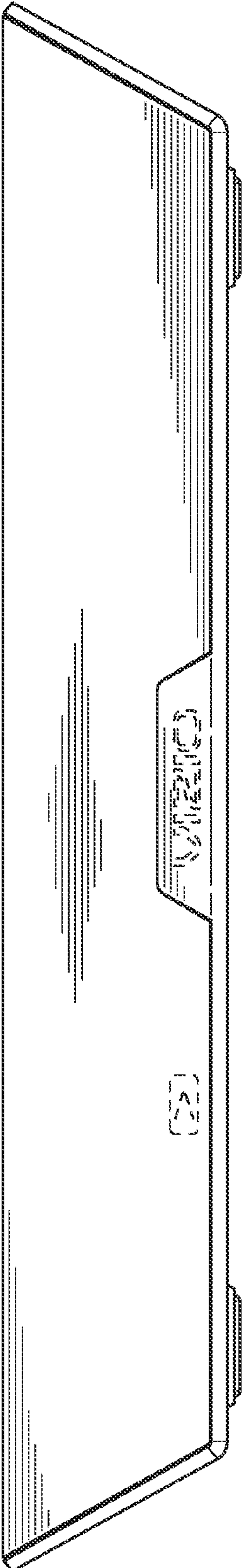


FIG. 2

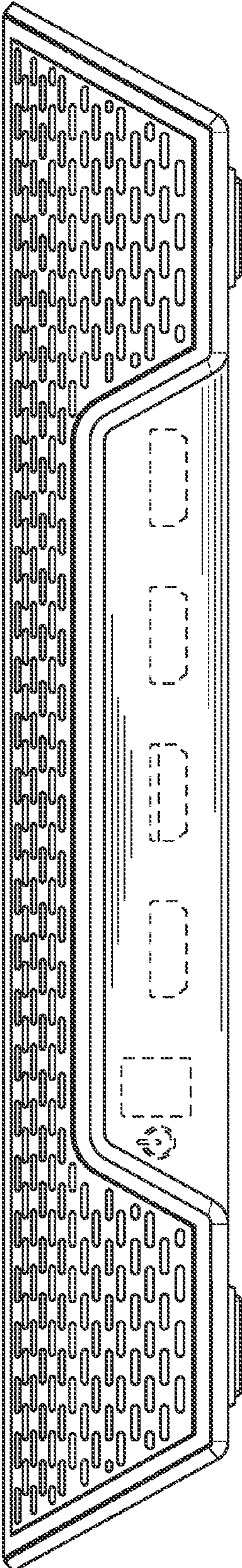


FIG. 3

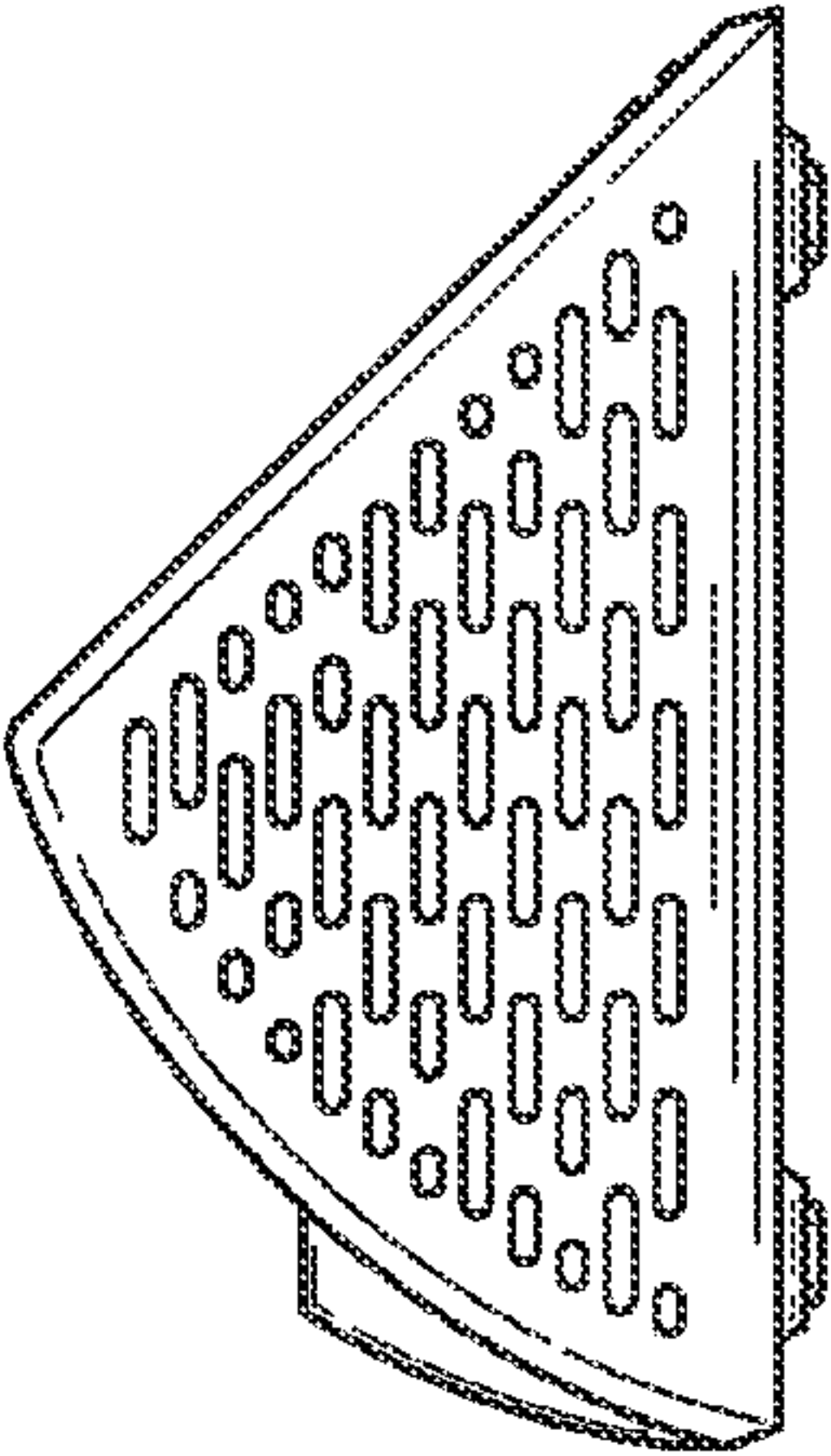


FIG. 4

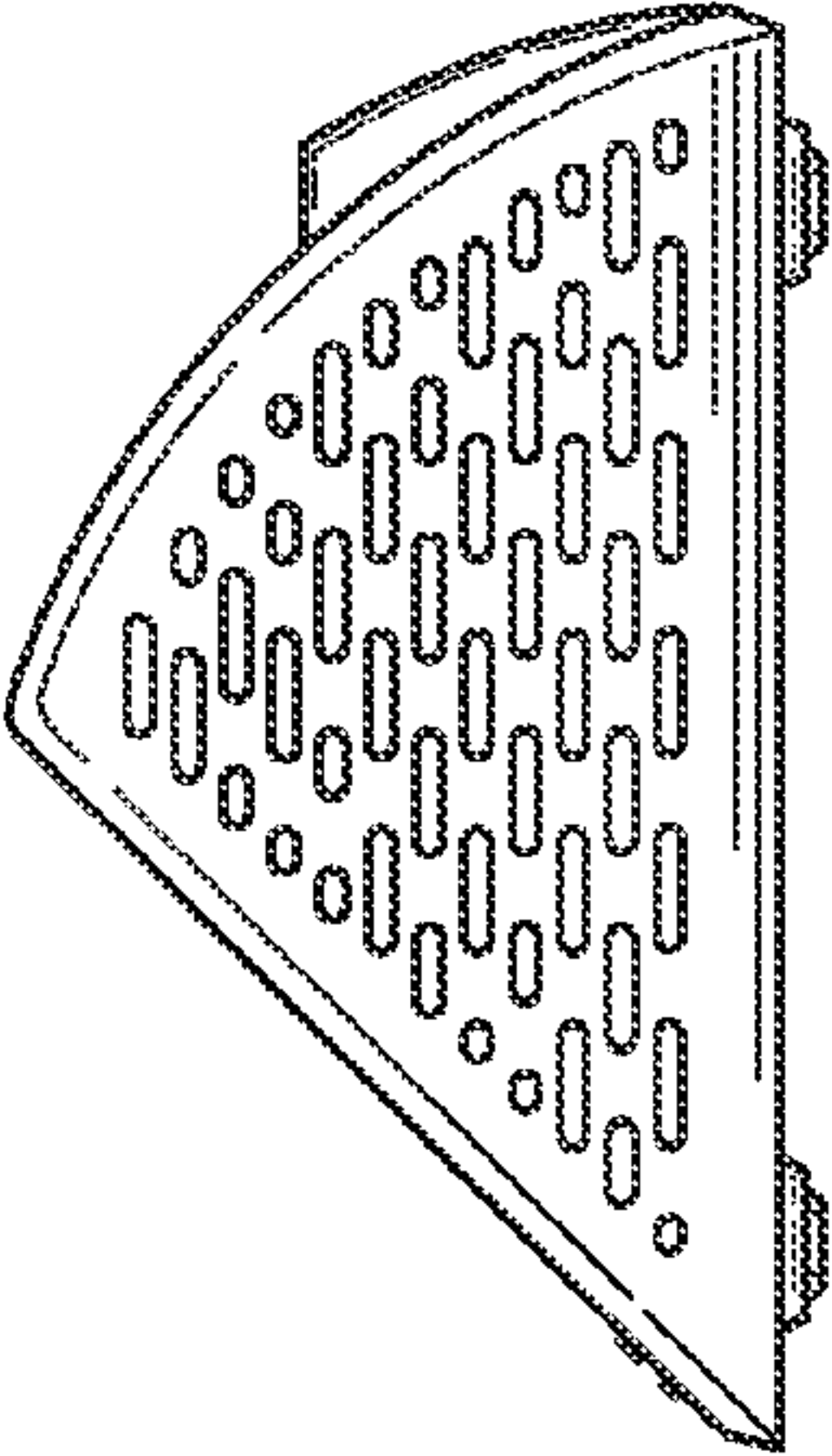


FIG. 5

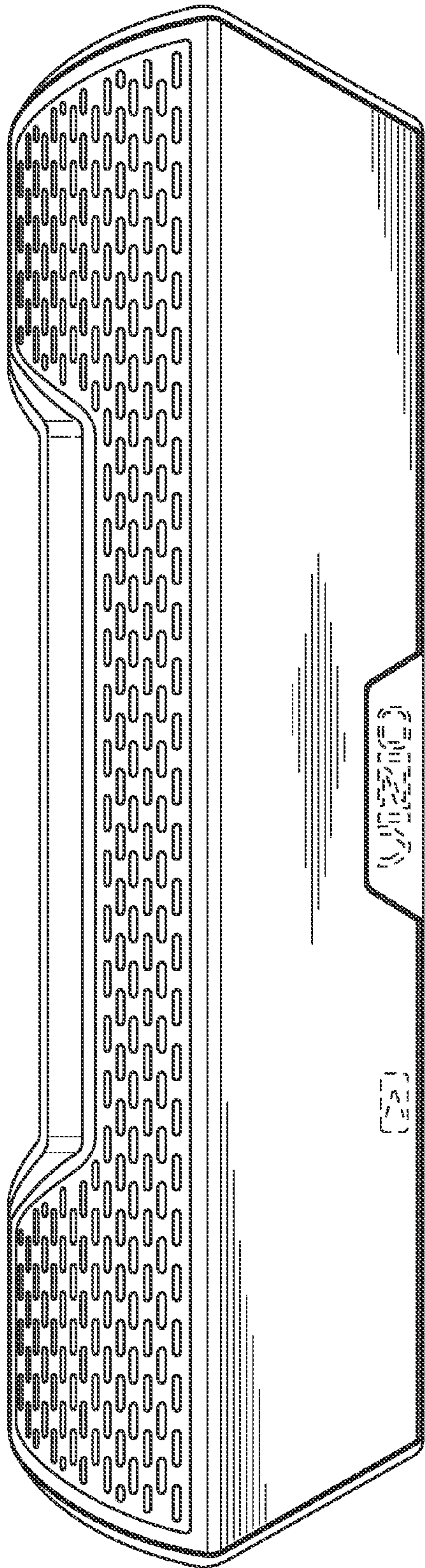


FIG. 6

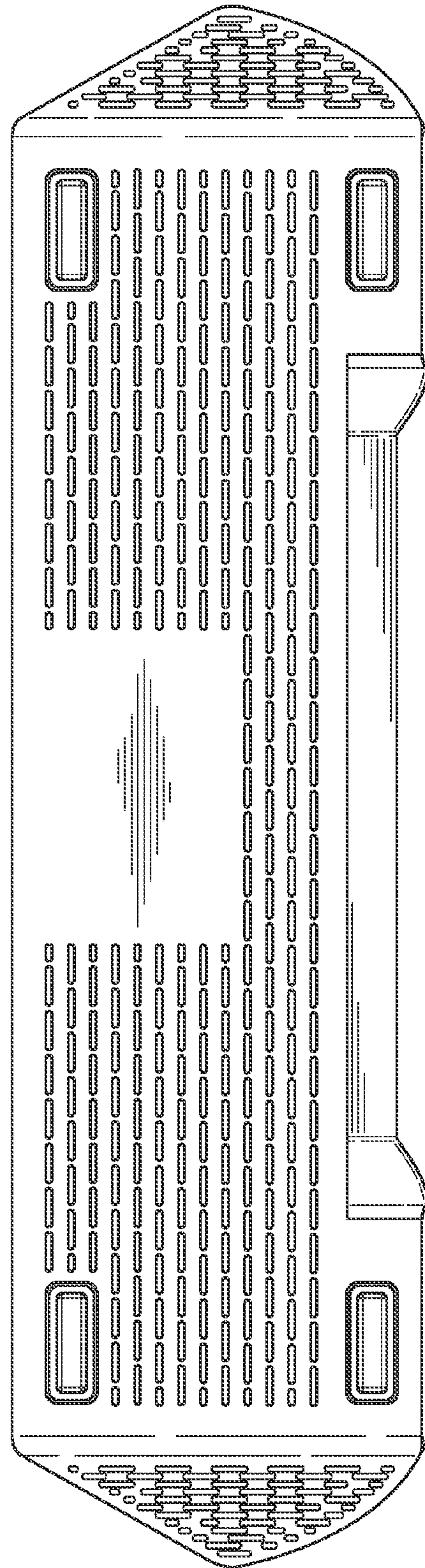


FIG. 7