



US00D661282S

(12) **United States Design Patent**
Tatara et al.

(10) **Patent No.:** **US D661,282 S**
(45) **Date of Patent:** **** Jun. 5, 2012**

(54) **CONTROLLER FOR HEAD MOUNTED DISPLAY**

(75) Inventors: **Yoshihiro Tatara**, Matsumoto (JP);
Takeshi Fujishiro, Shiojiri (JP); **Tetsu Nakayama**, Matsumoto (JP); **Takeshi Ishikawa**, Azumino (JP); **Akihiro Nishiyama**, Chino (JP)

(73) Assignee: **Seiko Epson Corporation**, Tokyo (JP)

(**) Term: **14 Years**

(21) Appl. No.: **29/406,762**

(22) Filed: **Nov. 18, 2011**

(30) **Foreign Application Priority Data**

Aug. 12, 2011 (JP) 2011-018533

(51) **LOC (9) Cl.** **14-03**

(52) **U.S. Cl.** **D14/218**

(58) **Field of Classification Search** D14/218,
D14/455, 372; D13/168; D21/566; D10/104,
D10/106; 345/169, 8; 348/14.05, 114, 211.99,
348/734; 340/825.24; 341/22; 455/92, 95,
455/128, 151.1–151.4, 352, 355, FOR. 121;
700/65

See application file for complete search history.

(56) **References Cited**

U.S. PATENT DOCUMENTS

D364,850 S * 12/1995 Estrada et al. D14/346
D389,826 S * 1/1998 Cousins D14/135
D461,134 S * 8/2002 Eckelberger D10/65
D521,500 S * 5/2006 Sass D14/218

D564,499 S * 3/2008 Ohta D14/218
D568,854 S * 5/2008 Park et al. D14/138 AD
D570,321 S * 6/2008 Choi et al. D14/138 AD
D600,231 S * 9/2009 Lee et al. D14/138 AA
D605,154 S * 12/2009 Tkachuk D14/138 AD
D608,754 S * 1/2010 Zhou et al. D14/138 AA
D609,664 S * 2/2010 Lee et al. D14/138 AA
D614,587 S * 4/2010 Yodfat et al. D13/168
D615,965 S * 5/2010 Yokota D14/218
D618,666 S * 6/2010 Shin et al. D14/218
D621,372 S * 8/2010 Won et al. D13/168
D648,284 S * 11/2011 Kashimoto D13/168
D650,366 S * 12/2011 McManigal et al. D14/218
D650,775 S * 12/2011 Aarras D14/248
2007/0255250 A1 * 11/2007 Moberg et al. 604/503
2011/0053661 A1 * 3/2011 Chu et al. 455/575.1

* cited by examiner

Primary Examiner — John Windmuller

(74) *Attorney, Agent, or Firm* — Oliff & Berridge, PLC

(57) **CLAIM**

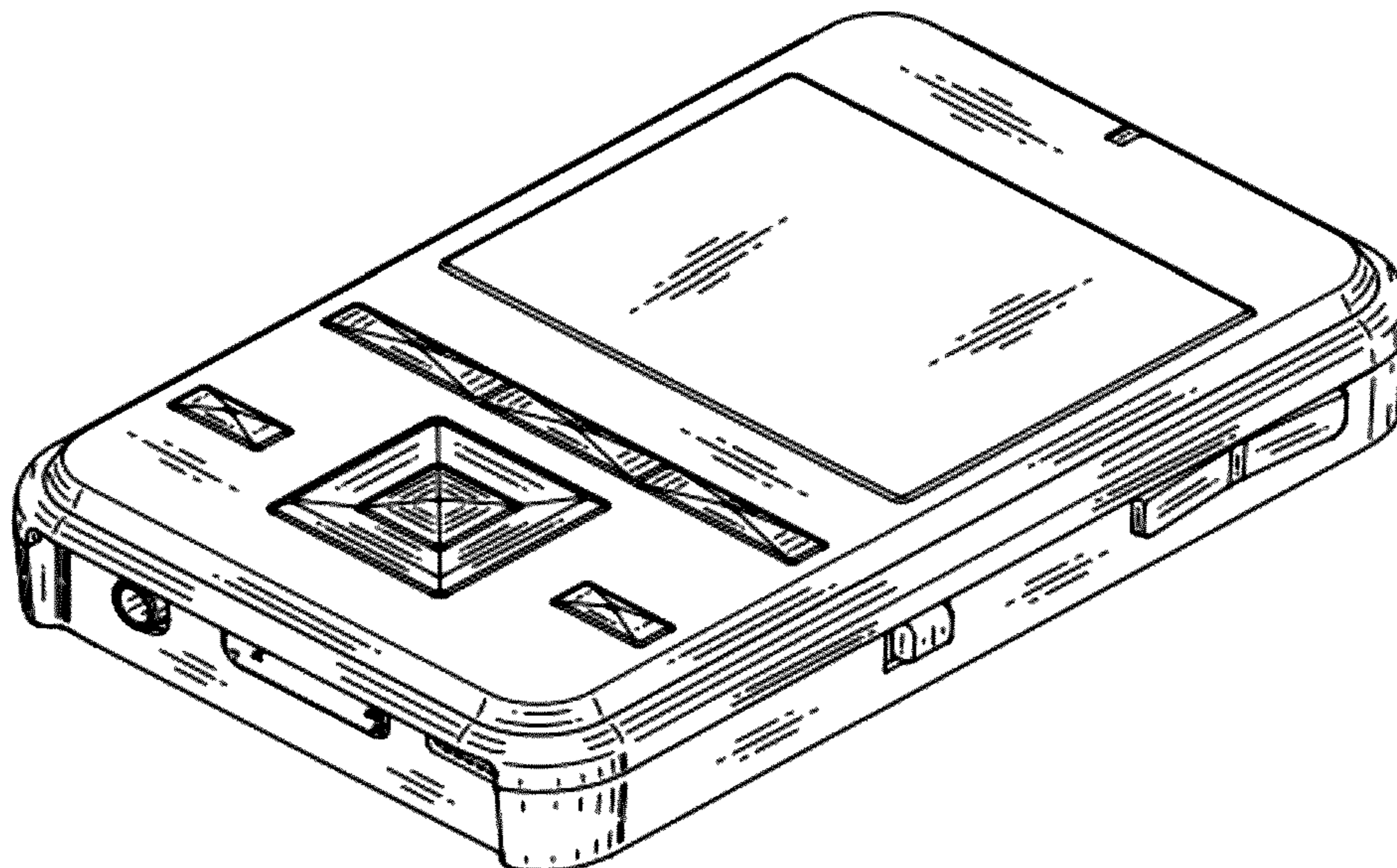
The ornamental design for a controller for head mounted display, as shown and described.

DESCRIPTION

FIG. 1 is a top, front, right-side perspective view of a controller for head mounted display;
FIG. 2 is a bottom, front, left-side perspective view thereof;
FIG. 3 is front view thereof;
FIG. 4 is a rear view thereof;
FIG. 5 is a left-side view thereof;
FIG. 6 is a right-side view thereof;
FIG. 7 is a top view thereof; and,
FIG. 8 is a bottom view thereof.

The broken lines depict environmental subject matter only and form no part of the claimed design.

1 Claim, 3 Drawing Sheets



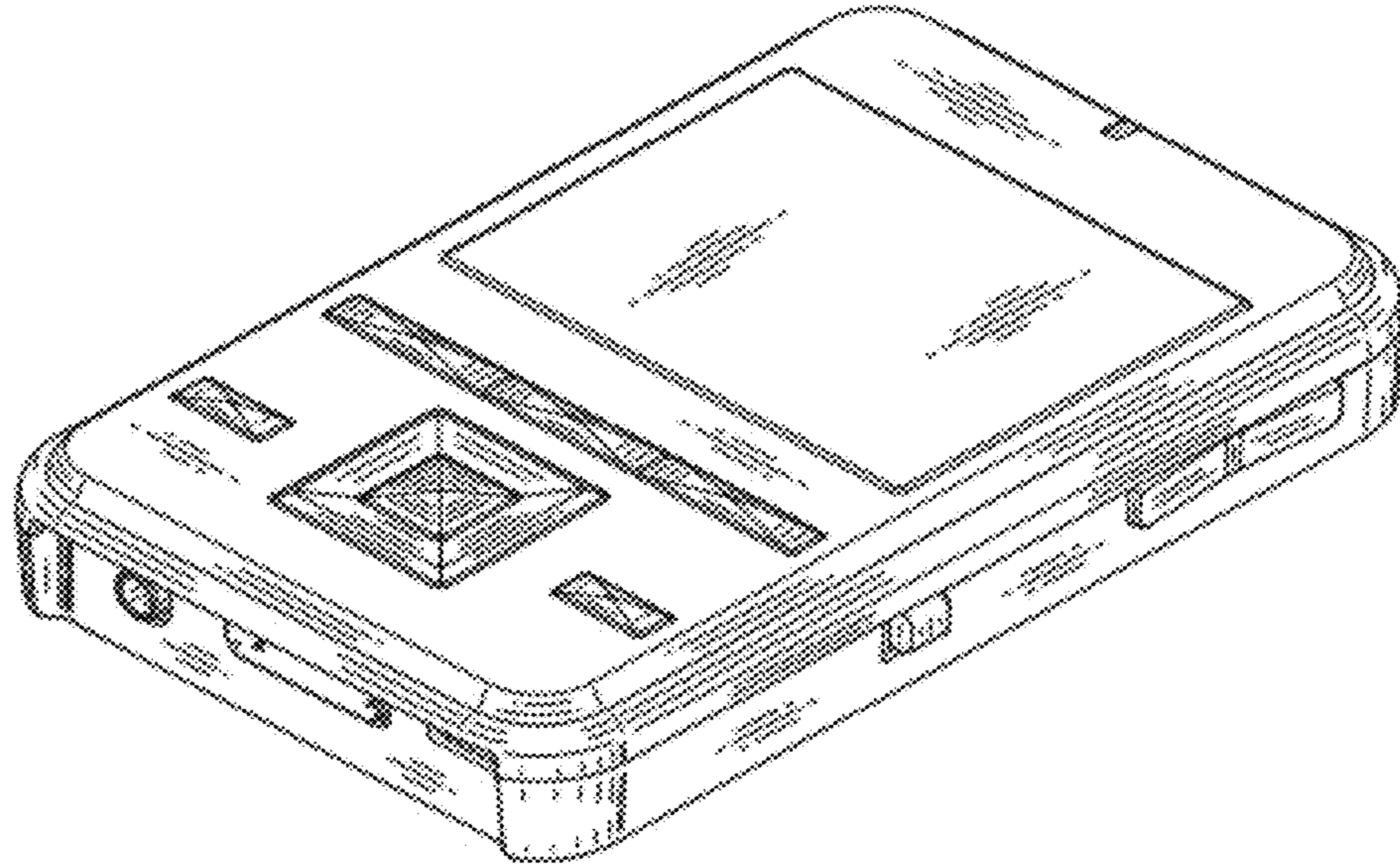


FIG. 1

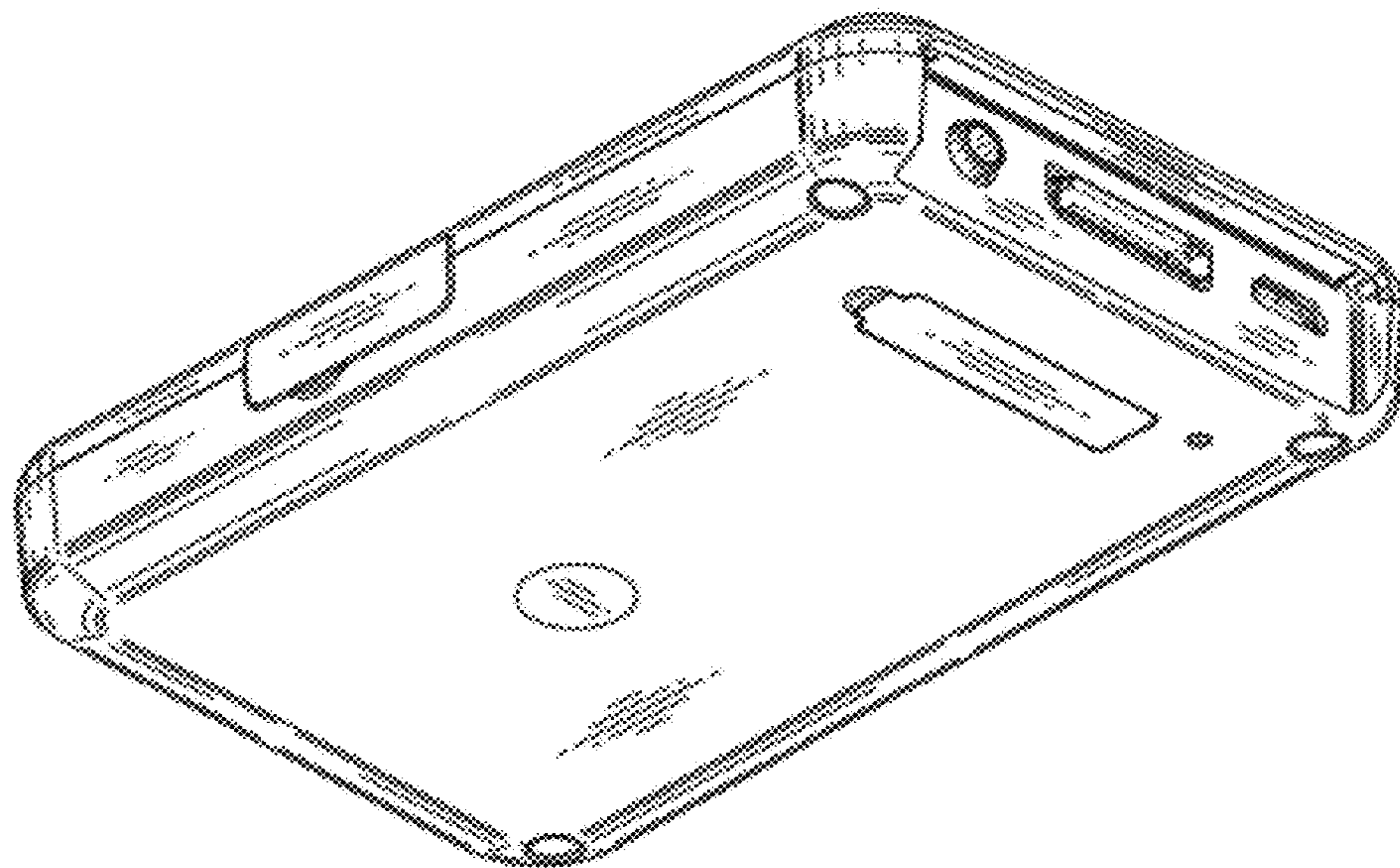


FIG. 2

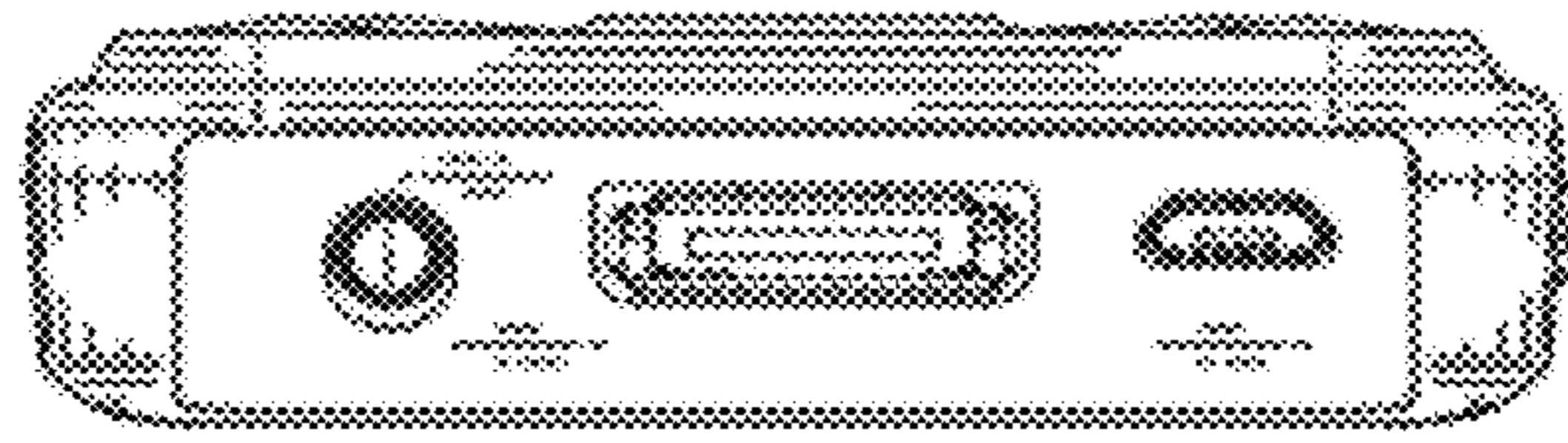


FIG. 3



FIG. 4



FIG. 5

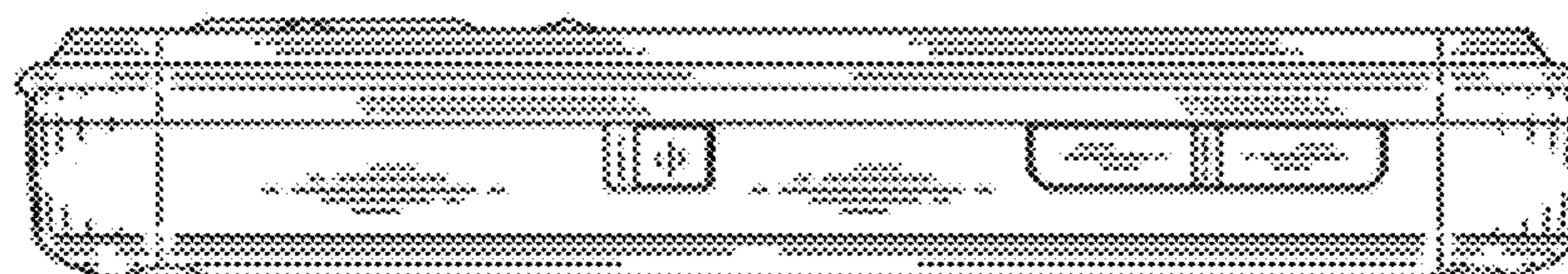


FIG. 6

FIG. 7

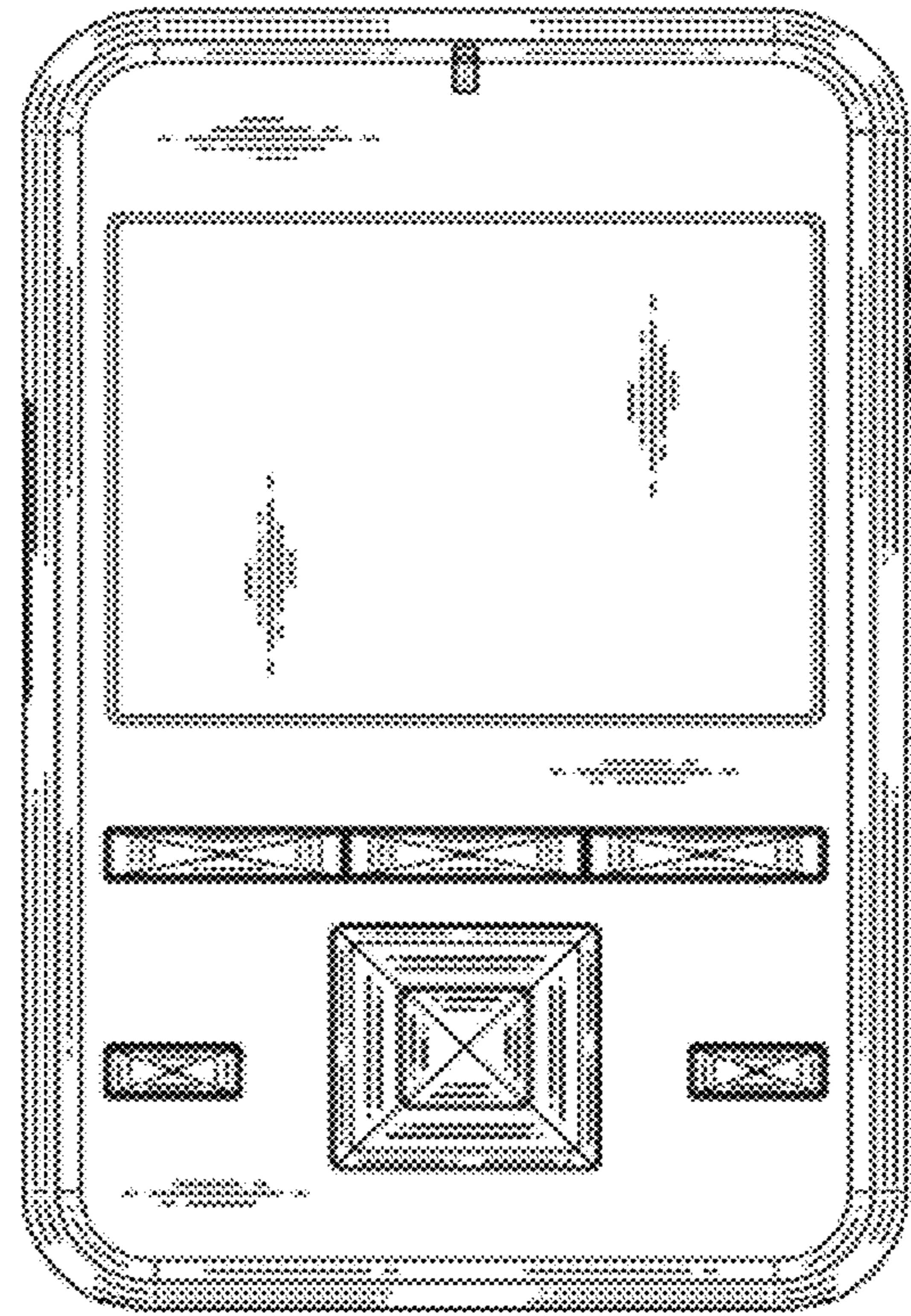


FIG. 8

