

US00D661280S

(12) **United States Design Patent**
Asaka et al.

(10) **Patent No.:** **US D661,280 S**
(45) **Date of Patent:** **** Jun. 5, 2012**

(54) **COMBINE SPEAKER BOX AND AMPLIFIER**

(75) Inventors: **Satoshi Asaka**, Tokyo (JP); **Shigeya Kuwao**, Tokyo (JP); **Jun Uchiyama**, Tokyo (JP)

(73) Assignee: **Sony Corporation**, Tokyo (JP)

(**) Term: **14 Years**

(21) Appl. No.: **29/371,256**

(22) Filed: **Dec. 15, 2010**

(51) **LOC (9) Cl.** **14-01**

(52) **U.S. Cl.** **D14/172; D14/217**

(58) **Field of Classification Search** D14/162, D14/163, 167-168, 170-172, 191, 204-218, D14/496, 498-511, 129; 181/143-144, 147-148, 181/150-153, 157, 198-199; 381/300-303, 381/306, 332-333, 336, 345, 361-364, 386-388
See application file for complete search history.

(56) **References Cited**

U.S. PATENT DOCUMENTS

D321,194 S *	10/1991	Ito et al.	D14/168
D412,172 S	7/1999	Uchiyama	
D417,451 S	12/1999	Tejima	
D418,820 S	1/2000	Shintani et al.	
D500,028 S *	12/2004	Hoehn et al.	D14/218
D510,919 S	10/2005	Kubota et al.	
D511,754 S	11/2005	Hirano	
D531,990 S *	11/2006	Kobayashi	D14/217
D534,887 S *	1/2007	Endo et al.	D14/505
D561,178 S *	2/2008	Azuma	D14/218
D571,324 S	6/2008	Katsumata	

D589,941 S *	4/2009	Maier et al.	D14/218
D591,720 S	5/2009	Motoishi	
D605,178 S *	12/2009	Maier et al.	D14/218
D615,965 S *	5/2010	Yokota	D14/218

* cited by examiner

Primary Examiner — Nanda Bondade

(74) *Attorney, Agent, or Firm* — Rader, Fishman & Grauer PLLC

(57) **CLAIM**

The ornamental design for a combined speaker box and an amplifier, as shown and described.

DESCRIPTION

FIG. 1 is a front, top, right perspective view of a combined speaker box and an amplifier showing our new design; FIG. 2 is an enlarged rear, top, right perspective view thereof; FIG. 3 is a rear elevational view thereof; FIG. 4 is a right side elevational view thereof; FIG. 5 is a top plan view thereof; and FIG. 6 is a bottom plan view thereof. FIG. 7 is an enlarged front, top, right perspective view thereof along the lines 7-7 and 7'-7' of FIG. 1; FIG. 8 is an enlarged rear elevational view thereof along the lines 8-8 and 8'-8' of FIG. 3; and, FIG. 9 is an enlarged right side elevational view thereof. Portions in broken lines are for illustrative purpose only and form no part of the claimed design.

1 Claim, 8 Drawing Sheets

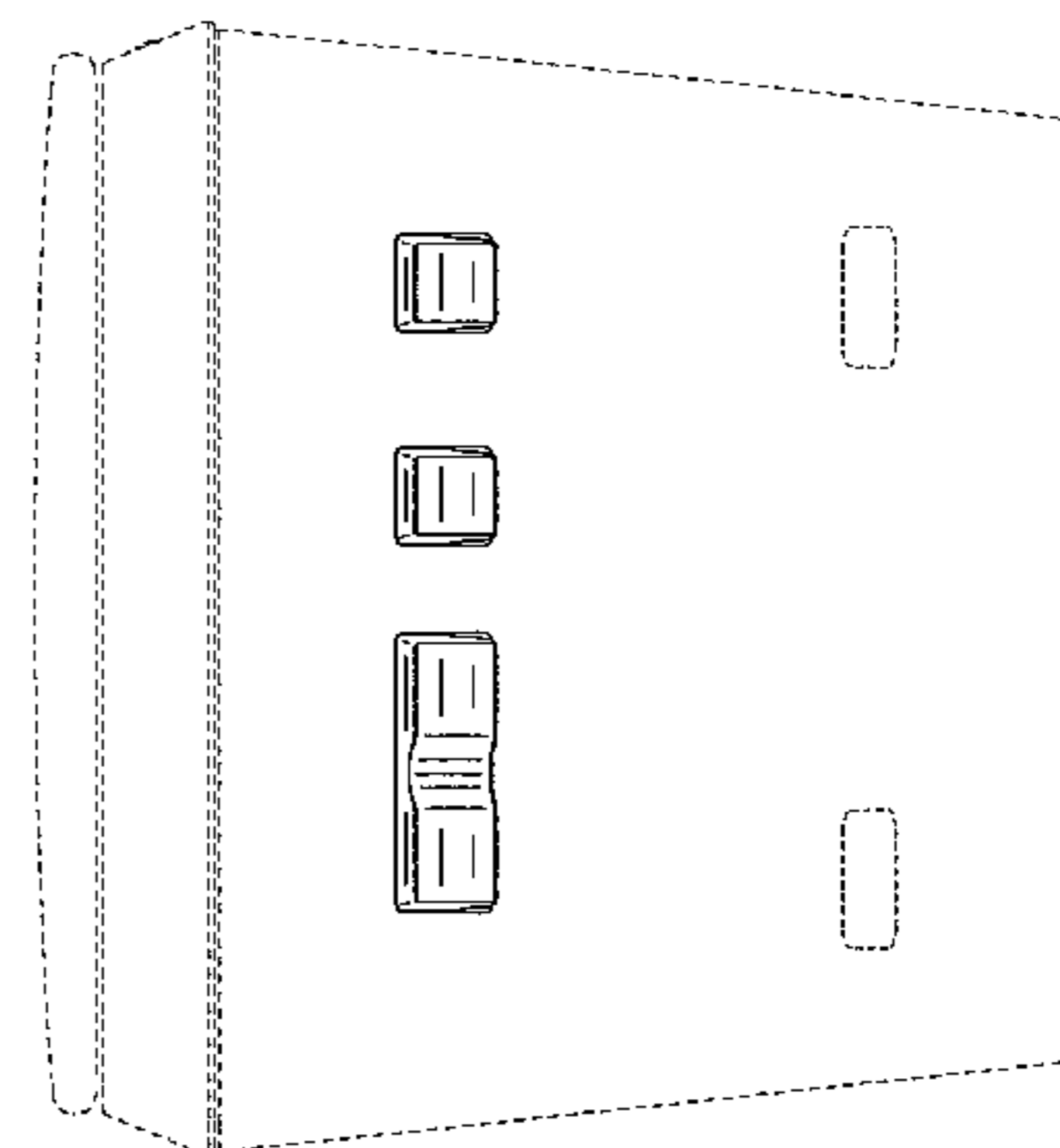
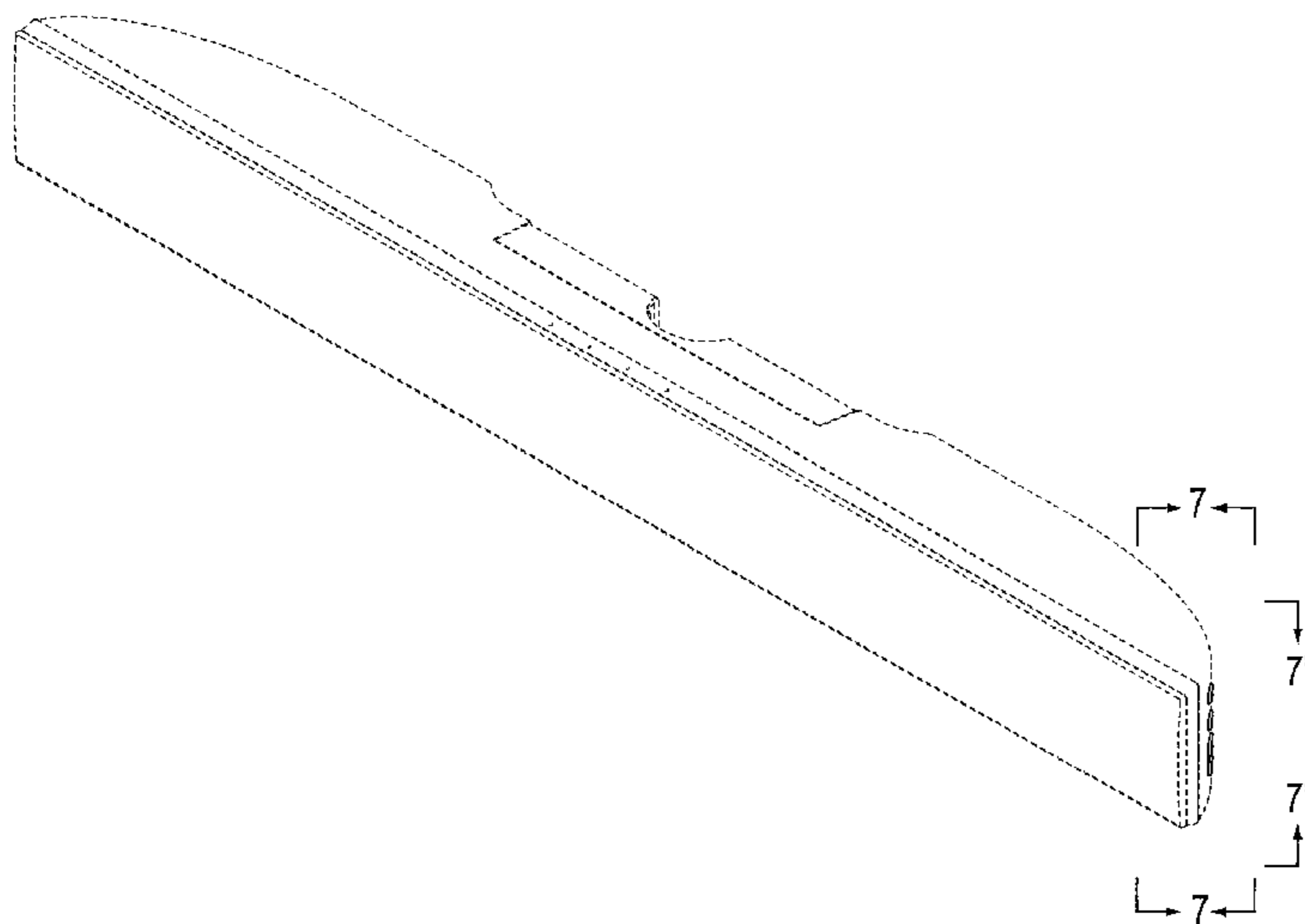


FIG.1

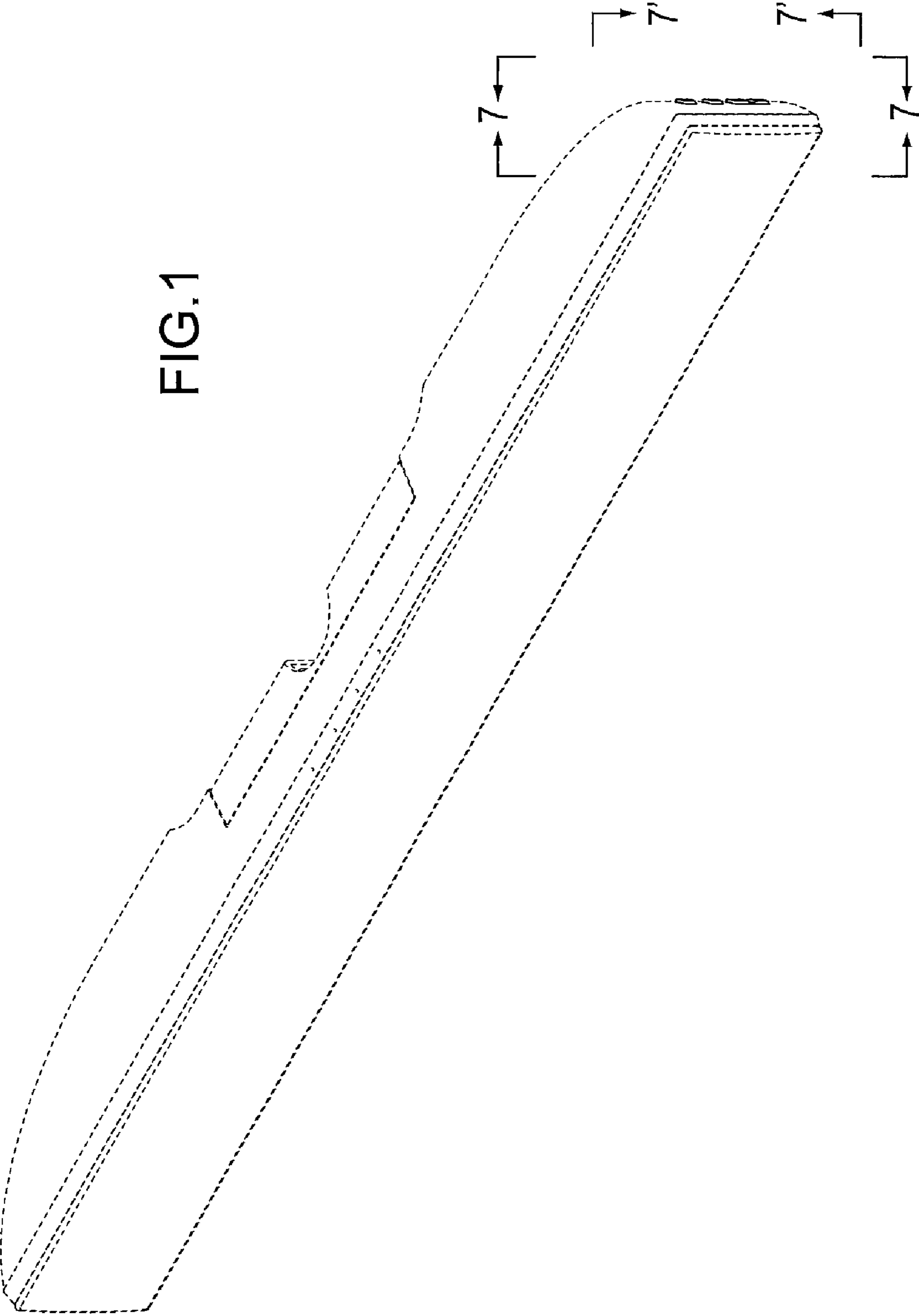


FIG.2

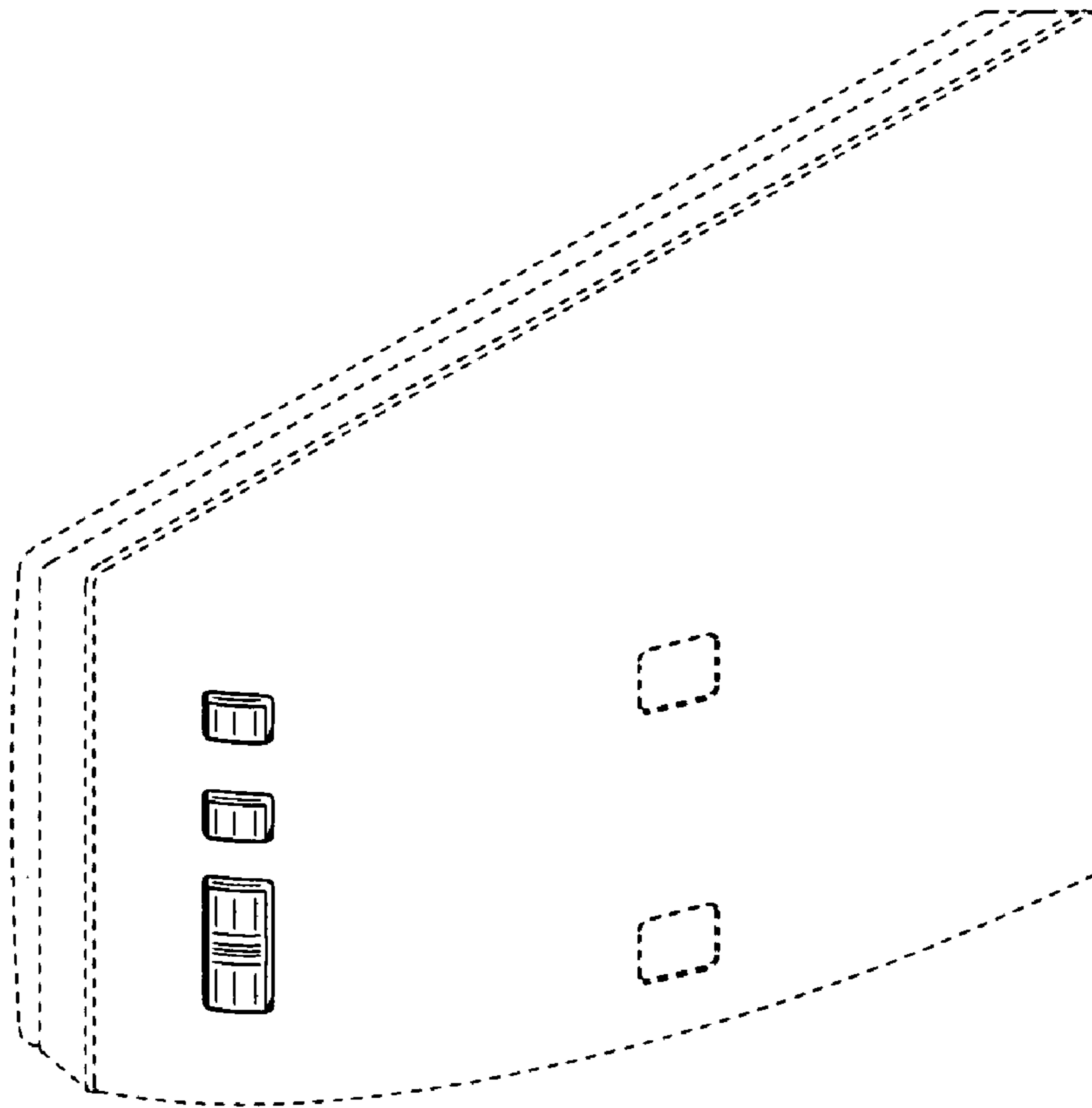


FIG.3

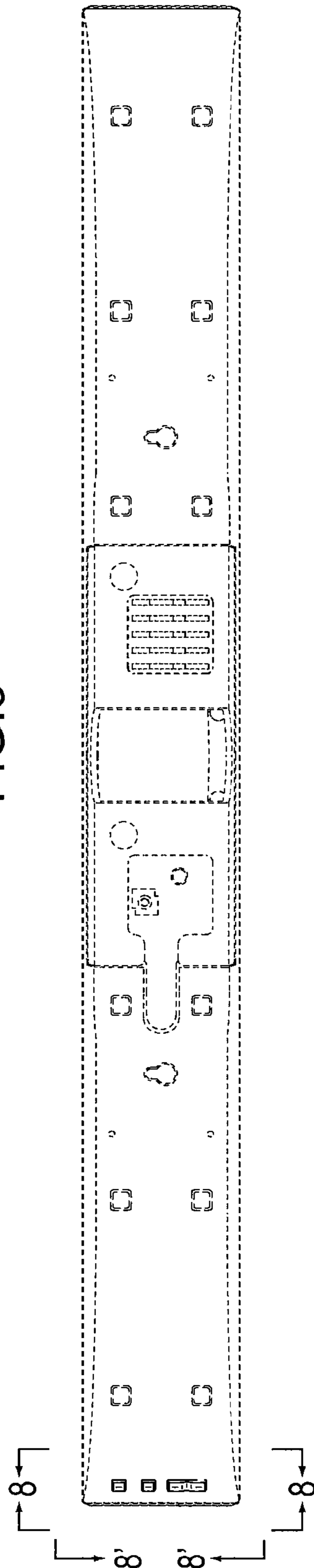


FIG.4

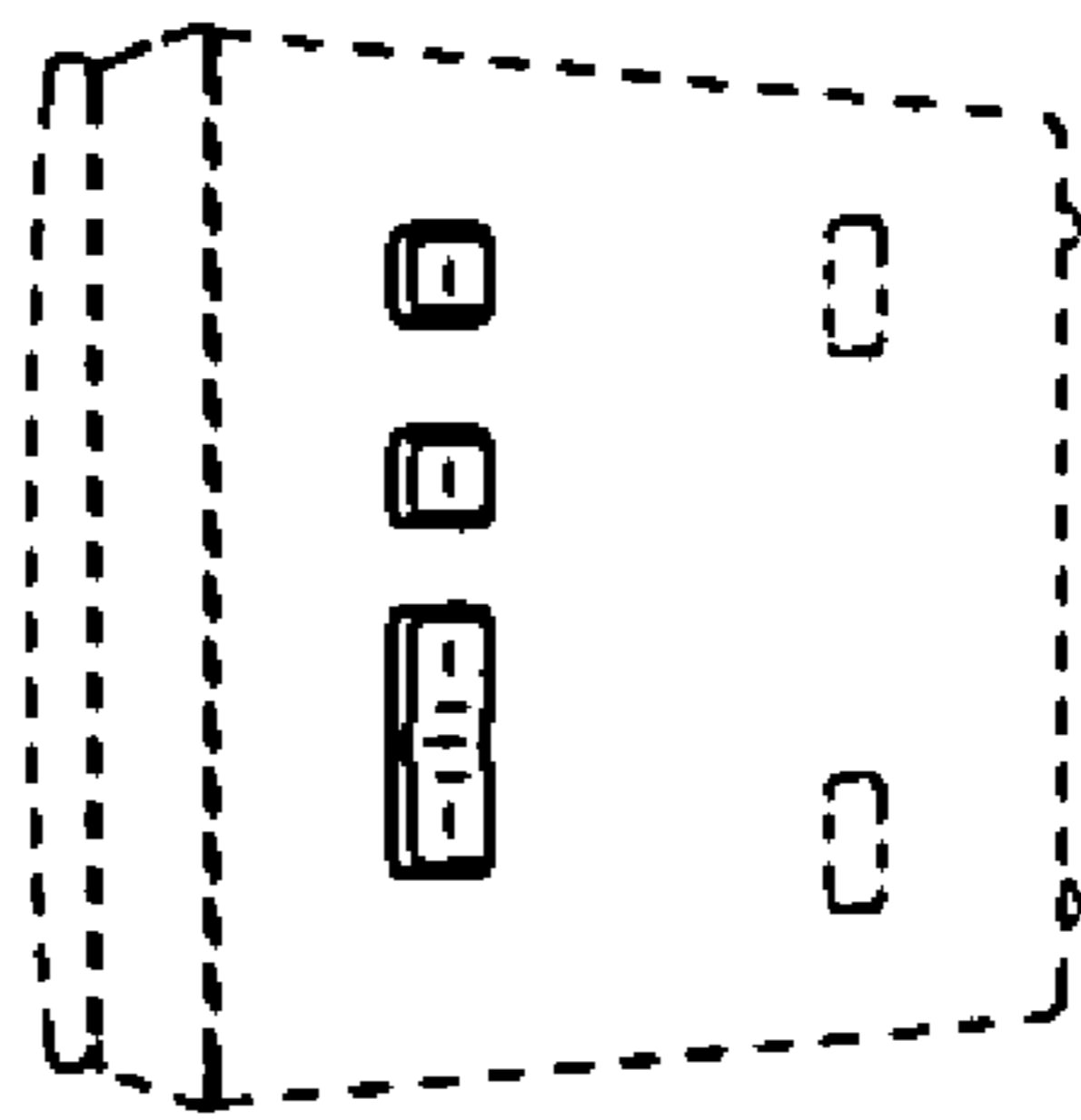


FIG.5

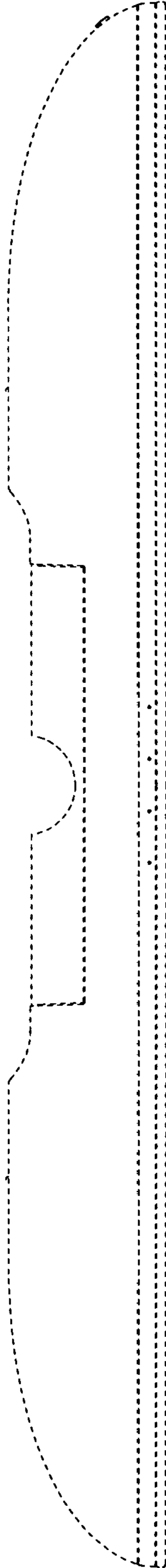


FIG.6

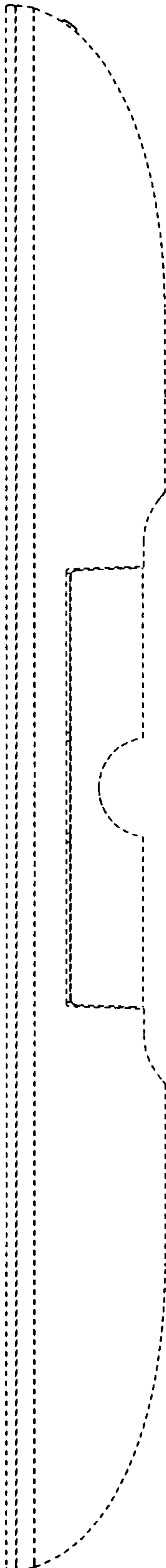


FIG. 7

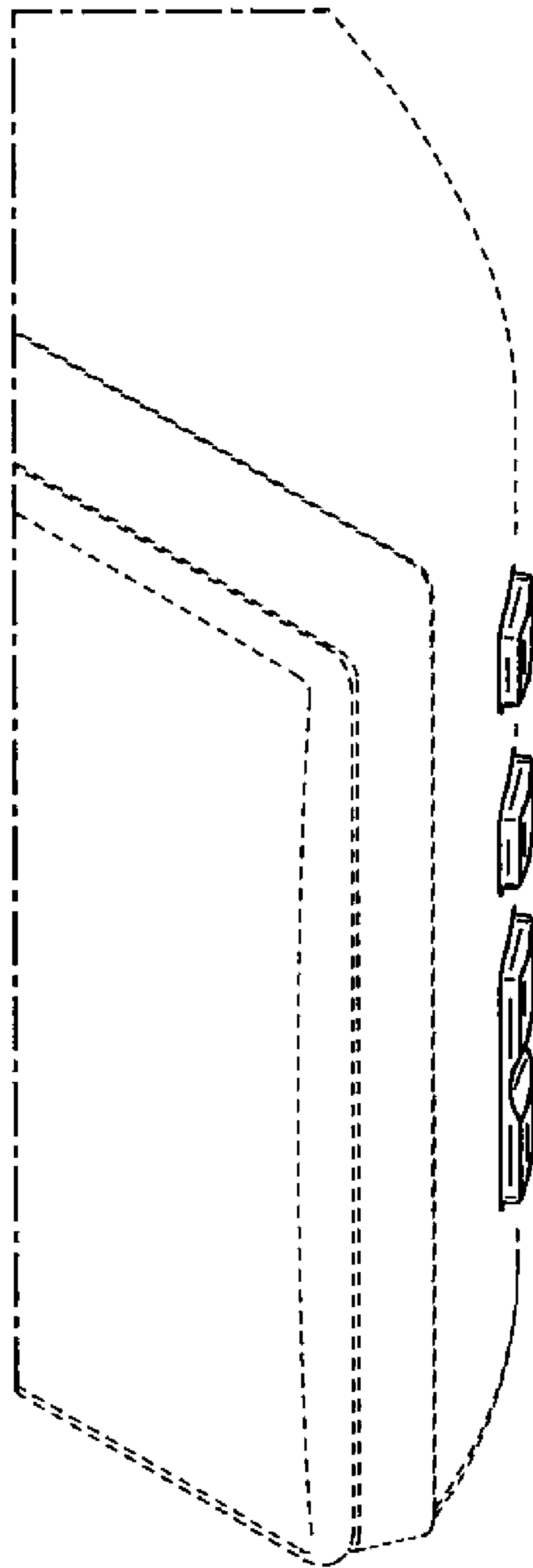


FIG.8

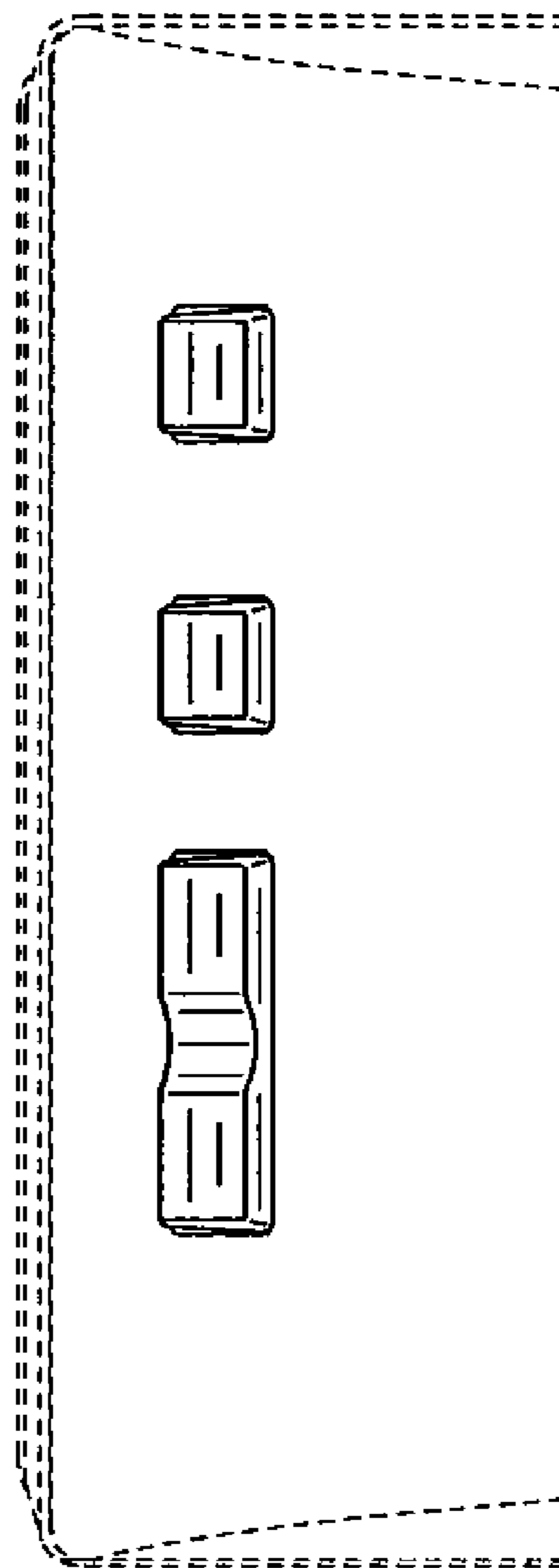


FIG.9

