



US00D661275S

(12) **United States Design Patent**
Roka

(10) **Patent No.:** **US D661,275 S**
(45) **Date of Patent:** **** Jun. 5, 2012**

(54) **MOBILE COMMUNICATIONS DEVICE WITH WRIST BAND**

(75) Inventor: **Pujan K. Roka**, Alpharetta, GA (US)

(73) Assignee: **Cox Communications, Inc.**, Atlanta, GA (US)

(**) Term: **14 Years**

(21) Appl. No.: **29/399,887**

(22) Filed: **Aug. 19, 2011**

(51) **LOC (9) Cl.** **14-03**

(52) **U.S. Cl.** **D14/138 R; D10/31; D10/32**

(58) **Field of Classification Search** D14/138 AA, D14/138 R, 496, 341, 345, 346, 203.1, 203.4, D14/203.7, 147, 138 AD, 138 G, 248, 138 AB, D14/218, 144; D21/517; 455/575.1, 556.2, 455/575.4; 379/433.01, 433.04; D13/168; D10/31, 32; 368/10, 13

See application file for complete search history.

(56) **References Cited**

U.S. PATENT DOCUMENTS

4,444,513	A *	4/1984	Proellocks et al.	368/223
D303,503	S *	9/1989	Kai	D10/31
5,218,577	A *	6/1993	Seager	368/10
5,228,012	A *	7/1993	Seager	368/10
5,418,760	A *	5/1995	Kawashima et al.	368/69
5,872,744	A *	2/1999	Taylor	368/13
6,035,035	A *	3/2000	Firooz	379/433.1
D466,487	S *	12/2002	Wada et al.	D14/138 R
D466,488	S *	12/2002	Wada et al.	D14/138 R
D482,671	S *	11/2003	DiDonato	D14/144
6,681,014	B1 *	1/2004	Ghassabian	379/433.1
6,707,764	B2 *	3/2004	Davidson et al.	368/13
D508,031	S *	8/2005	Kim et al.	D14/138 R
7,120,458	B2 *	10/2006	Wendorff et al.	455/550.1
7,199,313	B1 *	4/2007	Kemppinen	200/5 A
D543,192	S *	5/2007	Jung	D14/138 R
D565,427	S *	4/2008	Ellner et al.	D10/31
D567,227	S *	4/2008	Hada	D14/218
D567,676	S *	4/2008	Tang	D10/32
D570,711	S *	6/2008	Dorsz	D10/32
D595,254	S *	6/2009	Roberts	D14/138 AA
D596,610	S *	7/2009	Hou	D14/144

D600,570	S *	9/2009	Zinder	D10/31
D600,571	S *	9/2009	Singer	D10/32
D621,808	S *	8/2010	Kim	D14/138 R
D626,435	S *	11/2010	Tanaka et al.	D10/31
2001/0036264	A1 *	11/2001	Ito et al.	379/433.1
2009/0219788	A1 *	9/2009	Henley, Jr.	368/13
2011/0059771	A1 *	3/2011	Kondo	455/556.2

OTHER PUBLICATIONS

Samsung S9110 telephone, announced Jul. 2009, [online], [site visited Jan. 16, 2012]. Available from Internet, <URL: <http://www.gsmarena.com>>.*

Blindness: No more a curse with Solar-powered Wristwatch, posted Sep. 17, 2006, [online], [site visited Feb. 15, 2012]. Available from Internet, <<http://www.gizmowatch.com/entry/blindness-no-more-a-curse-with-solar-powered-wristwatch/>>.*

* cited by examiner

Primary Examiner — Jeffrey D Asch

(74) *Attorney, Agent, or Firm* — Sutherland Asbill & Brennan LLP

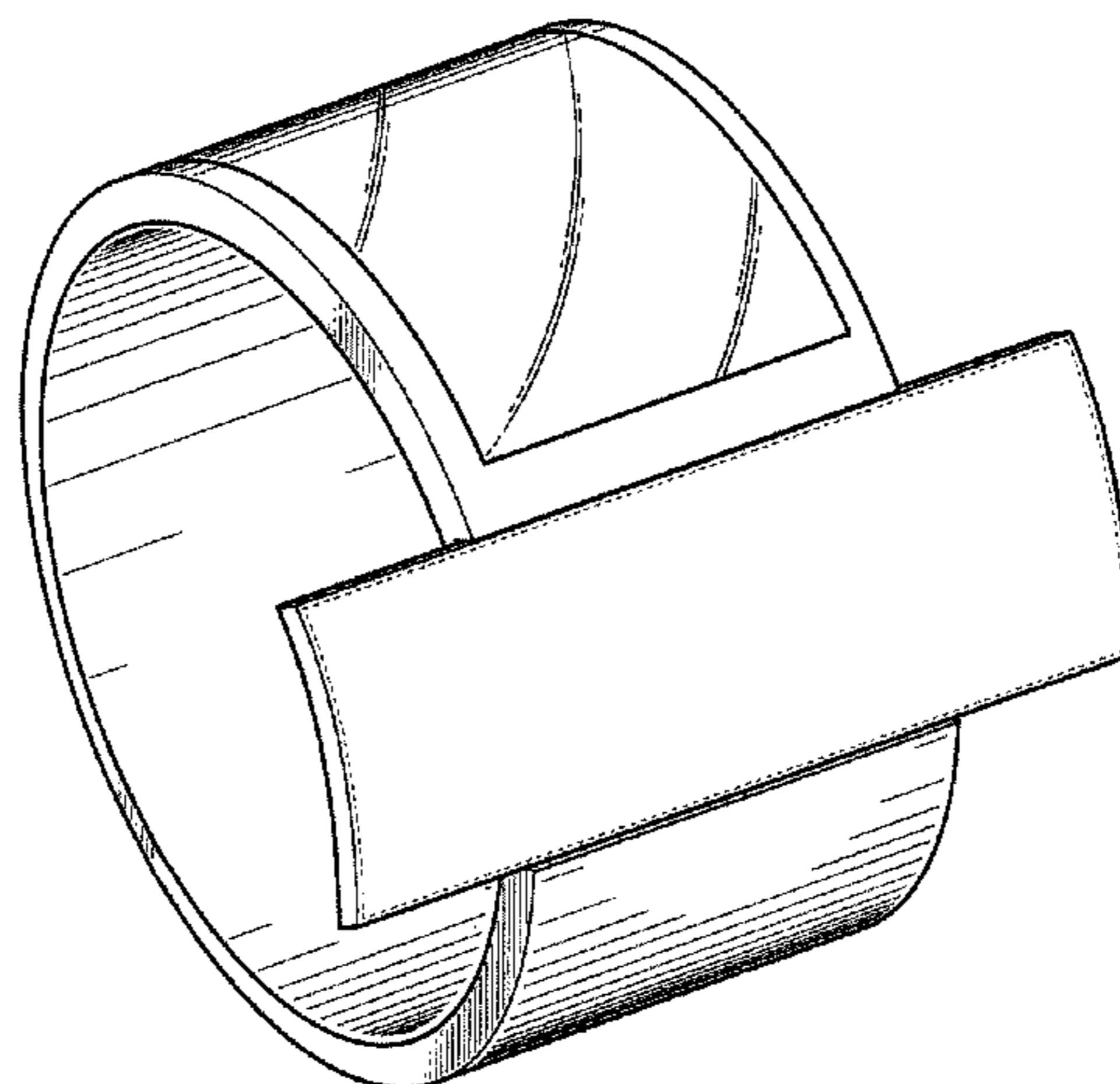
(57) **CLAIM**

The ornamental design for a mobile communications device with wrist band, as shown and described.

DESCRIPTION

FIG. 1 is a perspective view of a mobile communications device with wrist band showing my new design; FIG. 2 is a left side view thereof; FIG. 3 is a right side view thereof; FIG. 4 is a front view thereof; FIG. 5 is a back view thereof; FIG. 6 is a top view thereof; FIG. 7 is a bottom view thereof; and, FIG. 8 is a perspective view thereof showing a different orientation of the fold out keypad relative to the wrist band. The broken lines around the outer periphery of the inside surfaces in FIG. 8 represent the bounds of the claimed design, while all other broken lines are directed to environment and are for illustrative purposes only; the broken lines form no part of the claimed design.

1 Claim, 6 Drawing Sheets



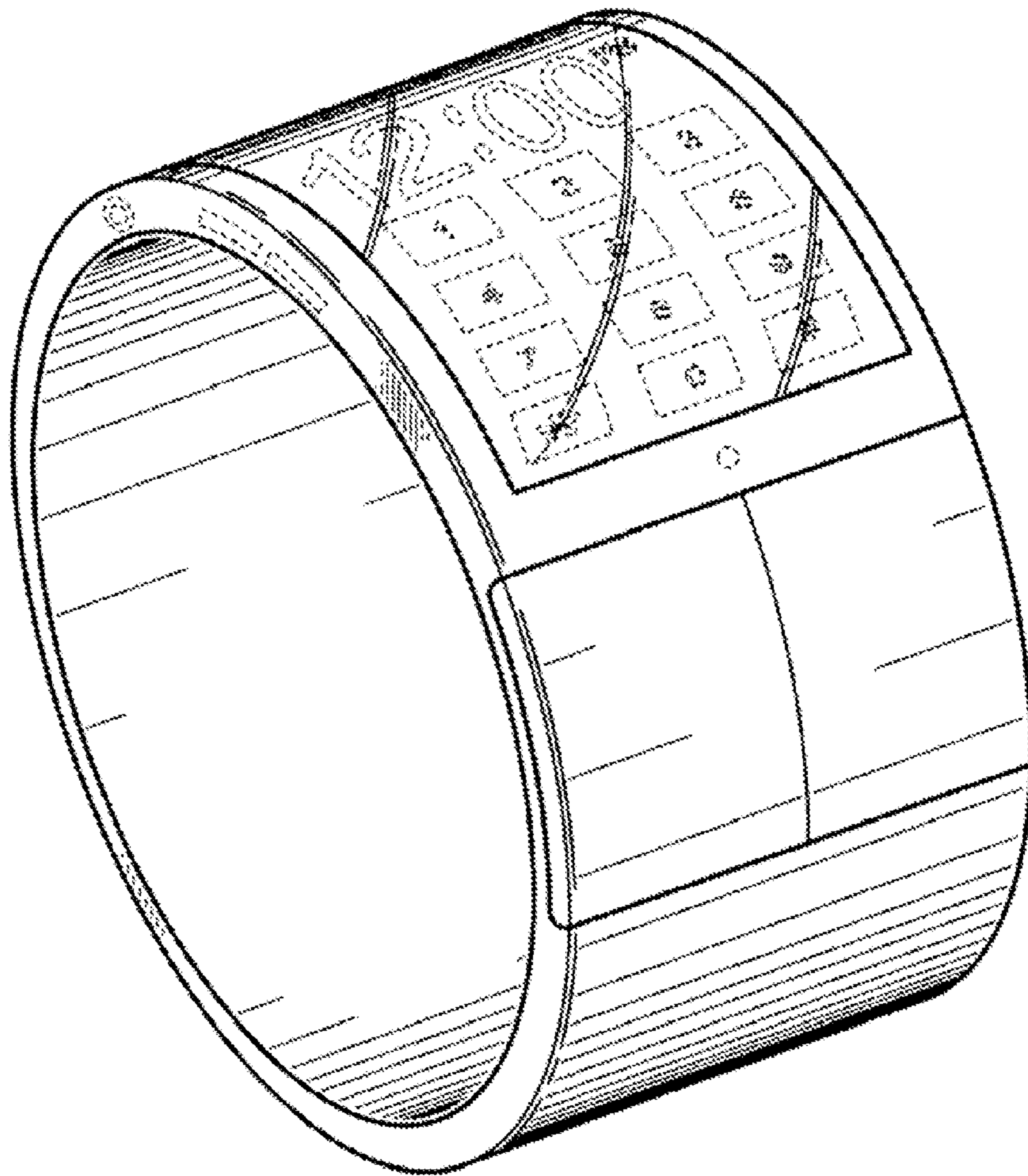


FIG. 1

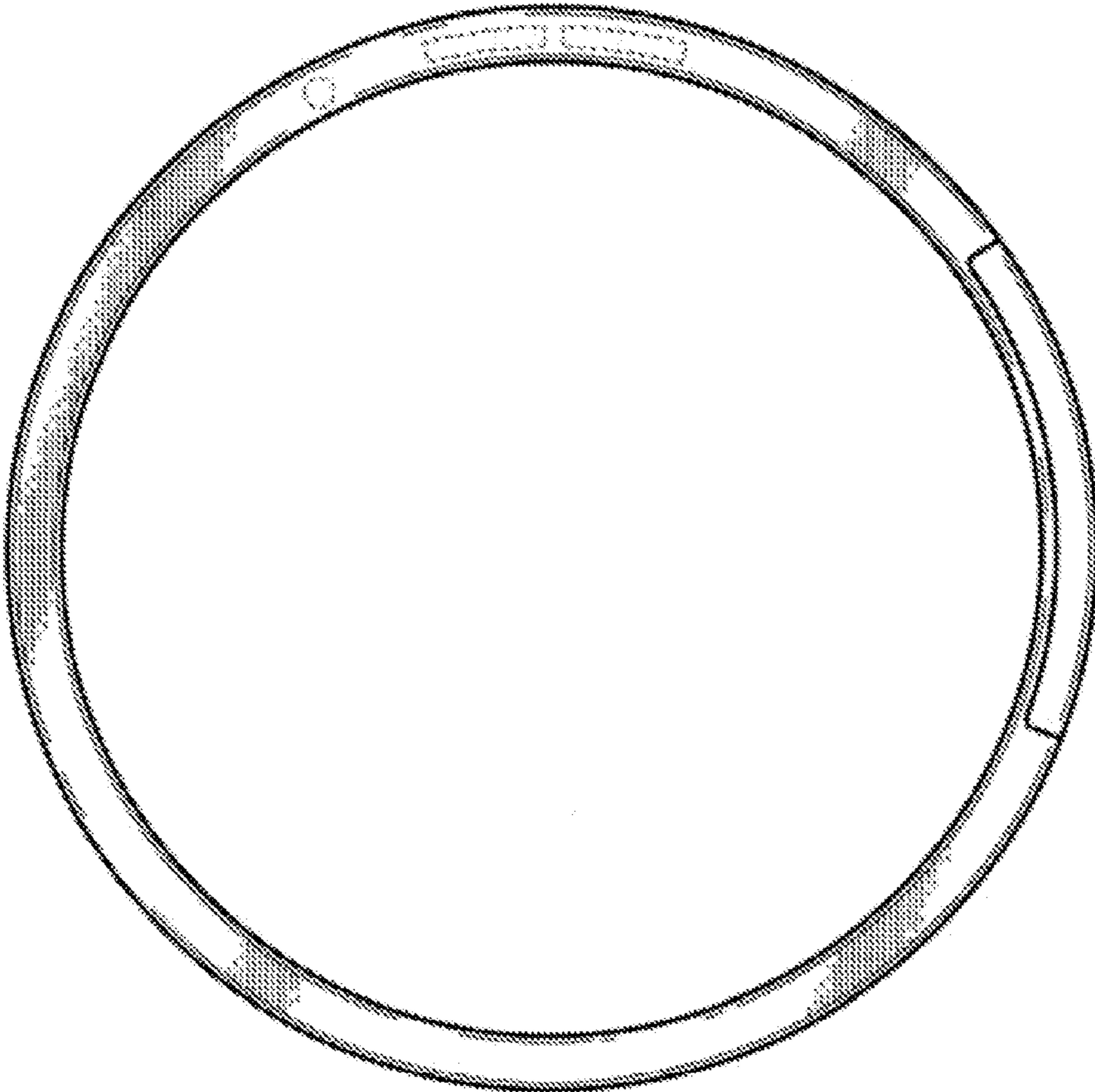


FIG. 2

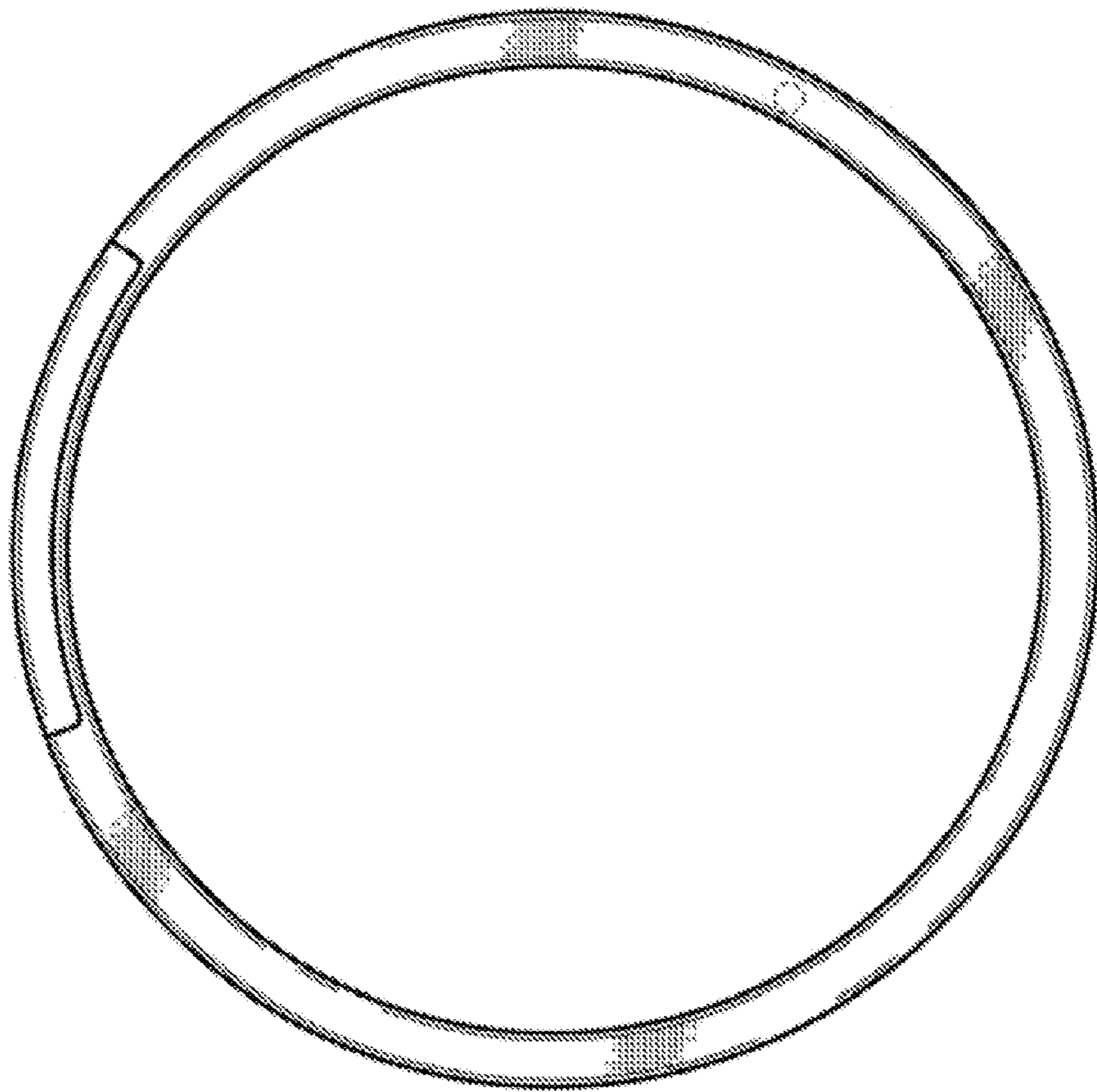


FIG. 3

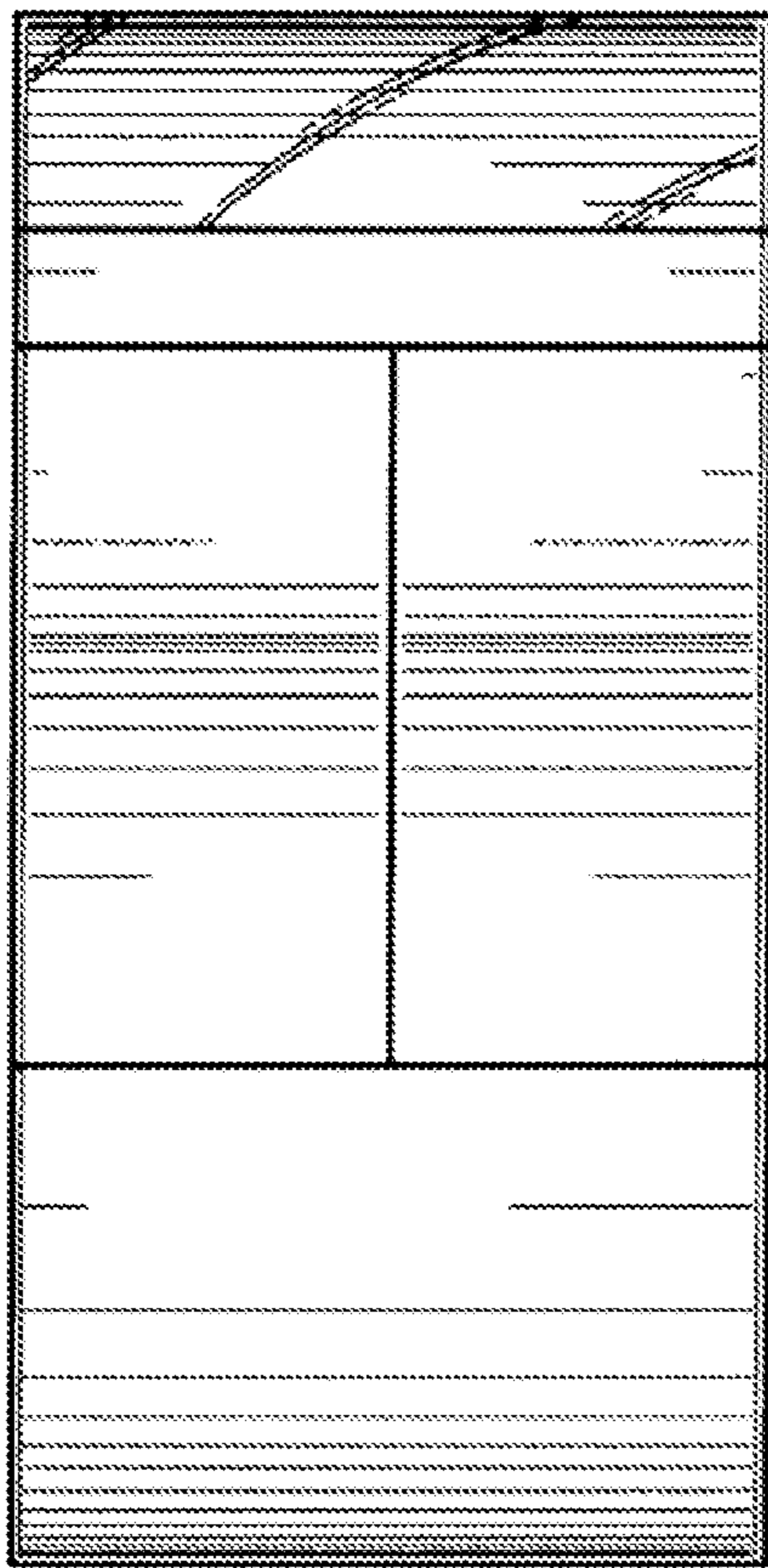


FIG. 4

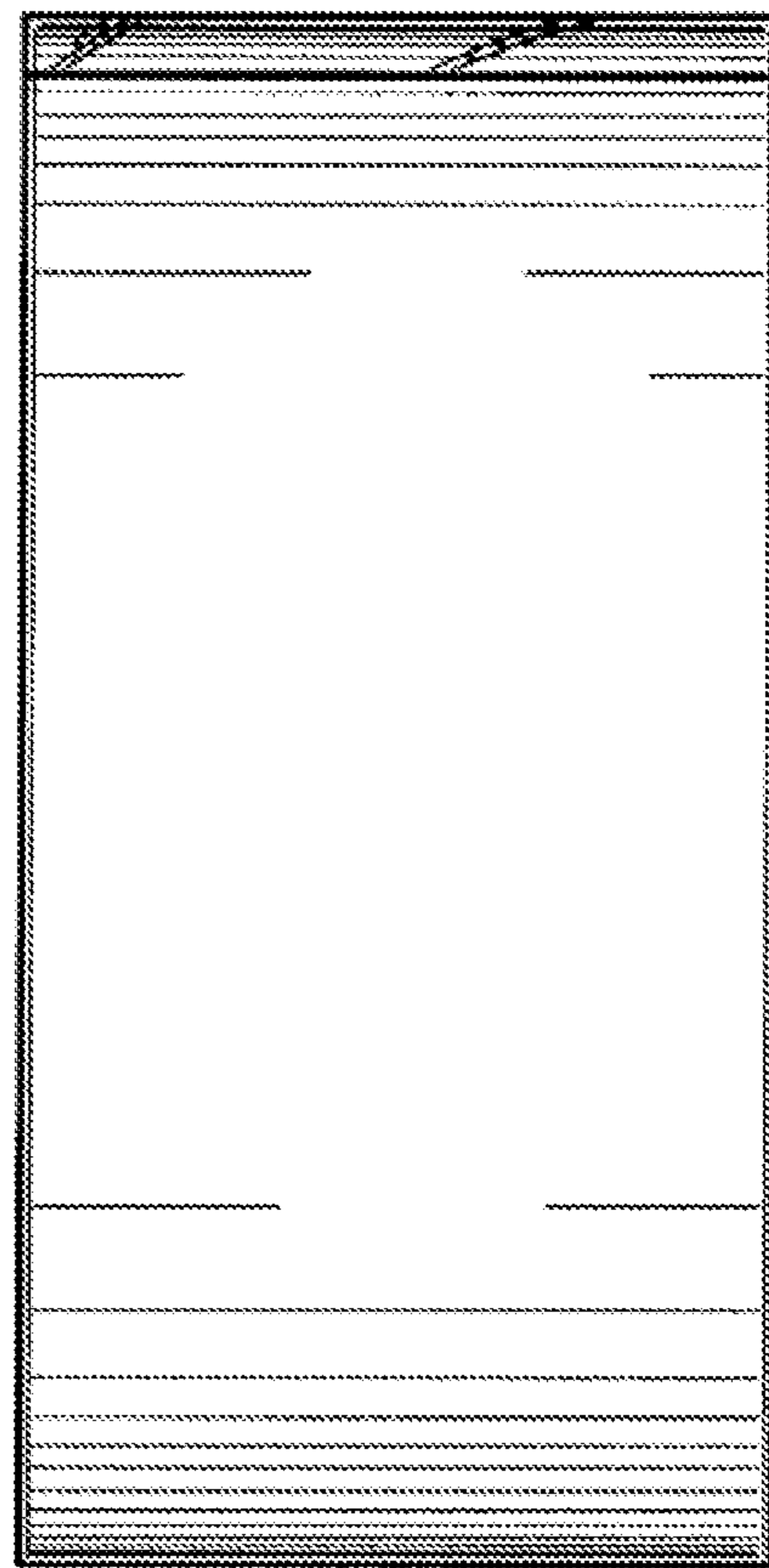


FIG. 5

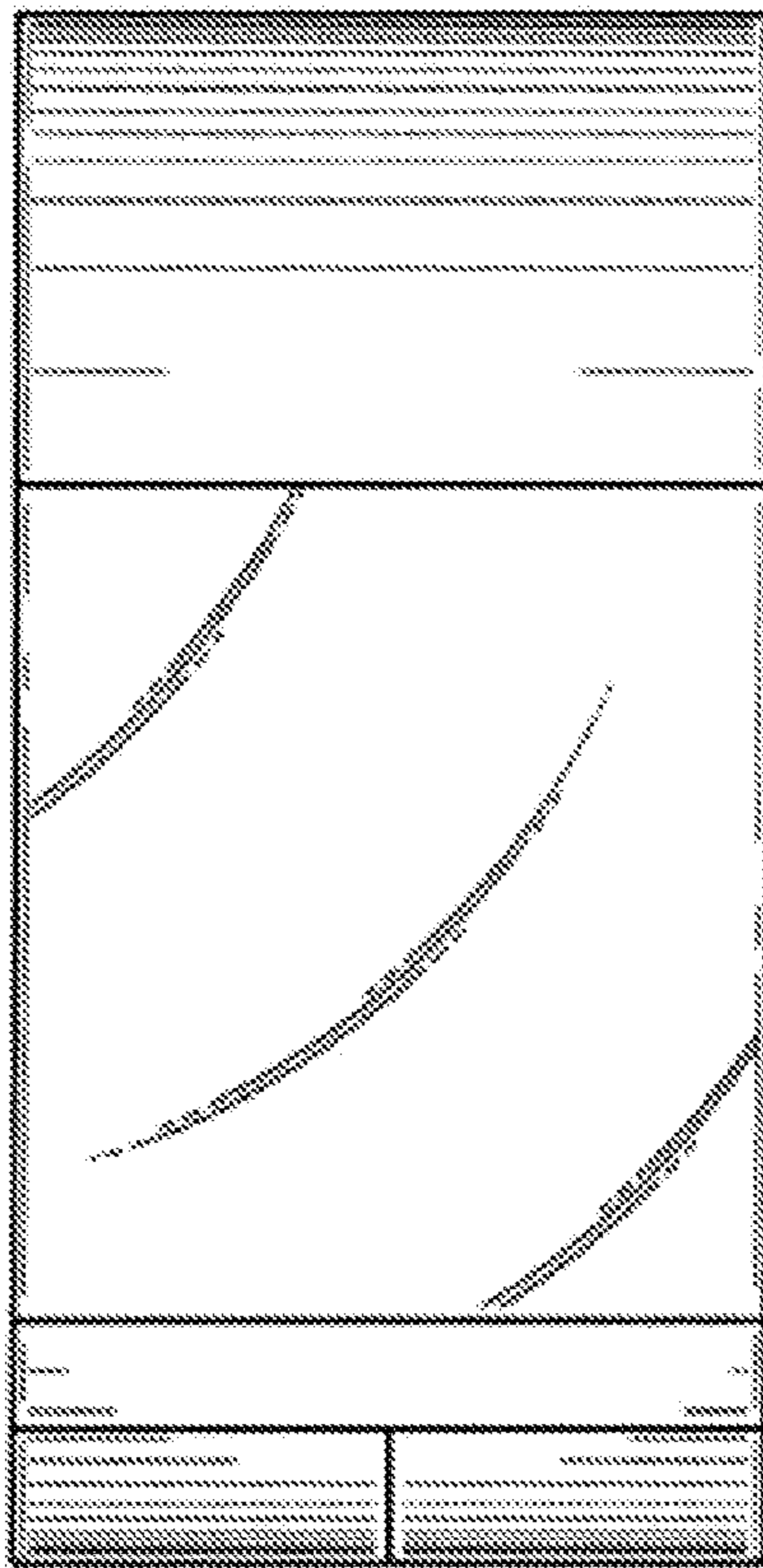


FIG. 6

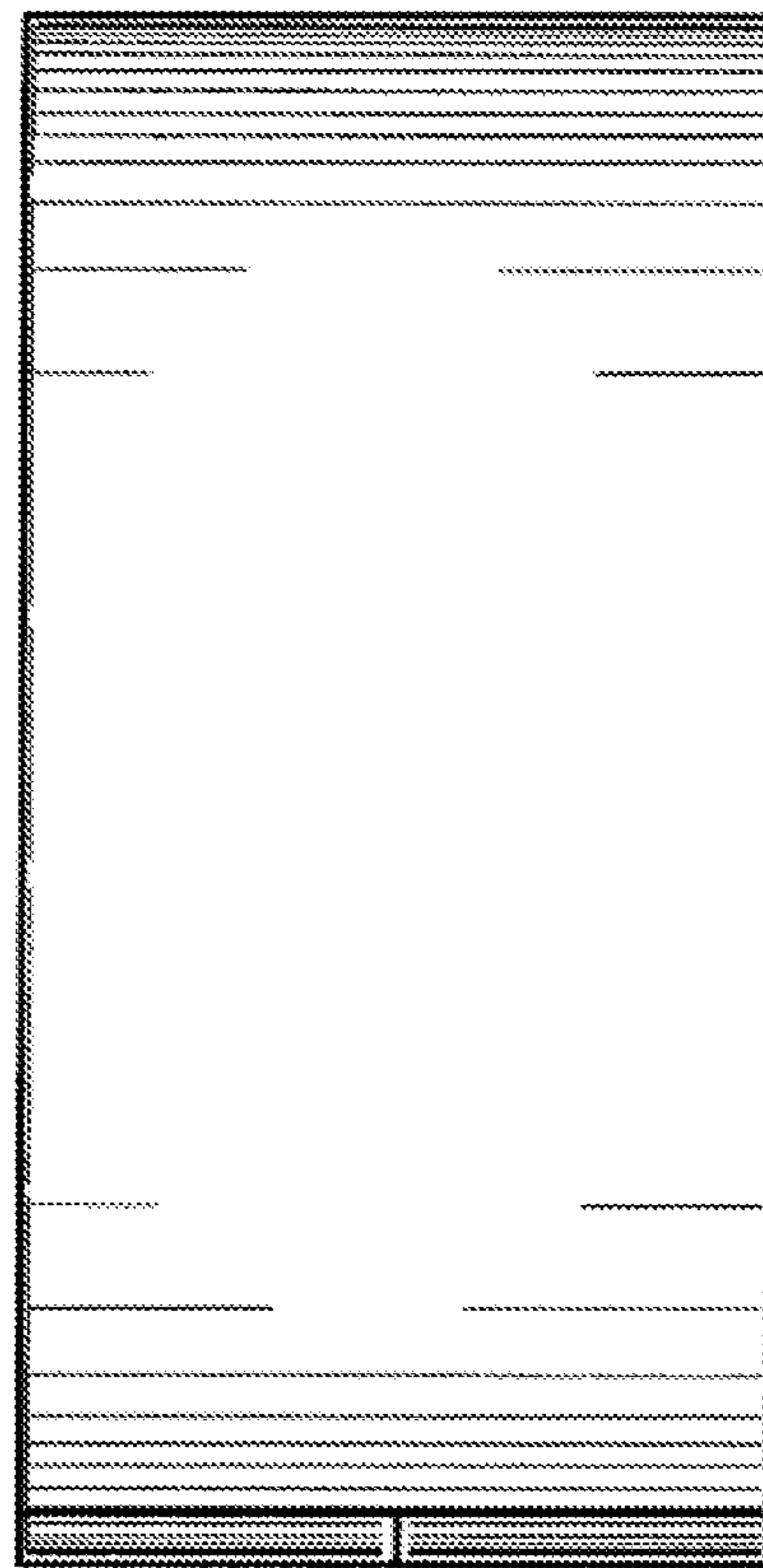


FIG. 7

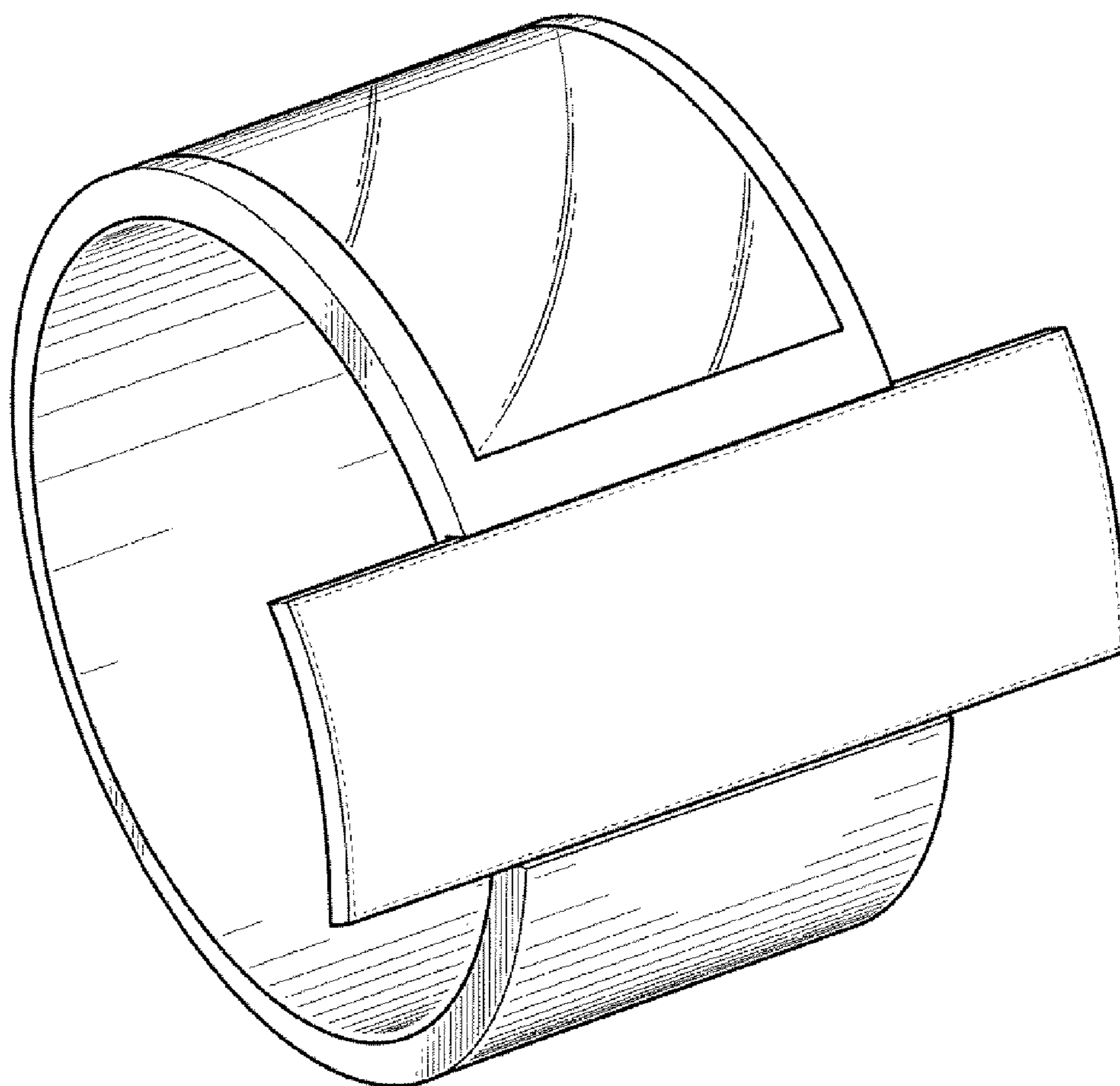


FIG. 8